



US00D557377S

(12) **United States Design Patent**  
**Chen**

(10) **Patent No.:** **US D557,377 S**

(45) **Date of Patent:** **\*\* Dec. 11, 2007**

(54) **WATER SPRAYER**

D513,426 S \* 1/2006 Chen ..... D23/223  
7,156,325 B1 \* 1/2007 Chen ..... 239/394

(75) Inventor: **Chin-Yuan Chen**, Changhua Hsien  
(TW)

\* cited by examiner

(73) Assignee: **Shin Tai Spurt Water of the Garden  
Tools Co., Ltd.**, Changhua Hsien (TW)

*Primary Examiner*—Robin V. Webster  
(74) *Attorney, Agent, or Firm*—Alan Kamrath; Kamrath &  
Associates P.A.

(\*\*) Term: **14 Years**

(57) **CLAIM**

(21) Appl. No.: **29/266,397**

The ornamental design for a water sprayer, as shown and  
described.

(22) Filed: **Sep. 20, 2006**

(51) **LOC (8) Cl.** ..... **23-01**

(52) **U.S. Cl.** ..... **D23/223**

(58) **Field of Classification Search** ..... D23/213,  
D23/223, 226; 239/280, 280.5, 532, 525-6  
See application file for complete search history.

**DESCRIPTION**

FIG. 1 is a perspective view of a water sprayer showing my  
design;

FIG. 2 is a front elevational view thereof;

FIG. 3 is a rear elevational view thereof;

FIG. 4 is a left side elevational view thereof;

FIG. 5 is a right side elevational view thereof;

FIG. 6 is a top plan view thereof; and,

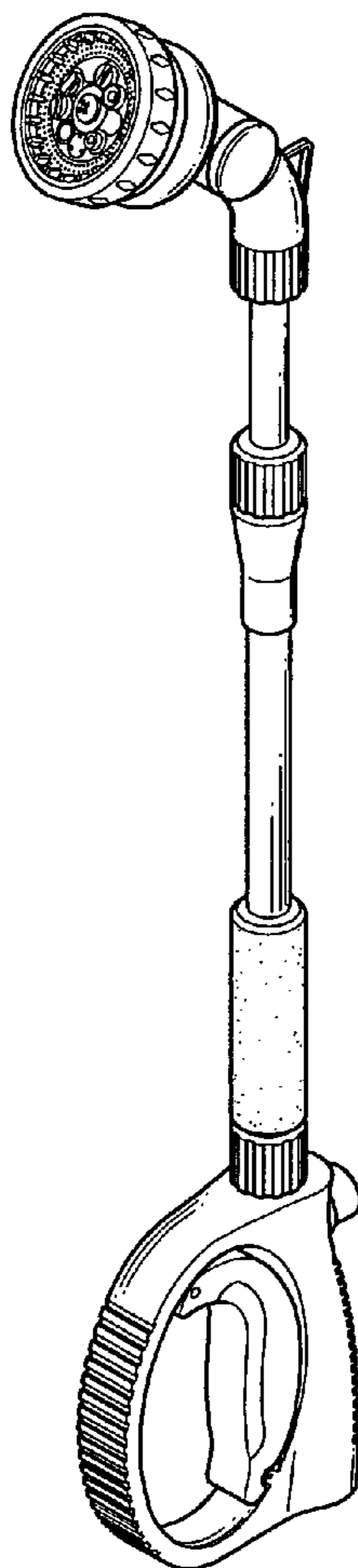
FIG. 7 is a bottom plan view thereof.

(56) **References Cited**

U.S. PATENT DOCUMENTS

6,581,853 B1 \* 6/2003 Huang ..... 239/532  
D479,302 S \* 9/2003 Chen ..... D23/213  
D492,979 S \* 7/2004 Chen ..... D23/223  
6,913,211 B2 \* 7/2005 Chen ..... 239/532

**1 Claim, 6 Drawing Sheets**



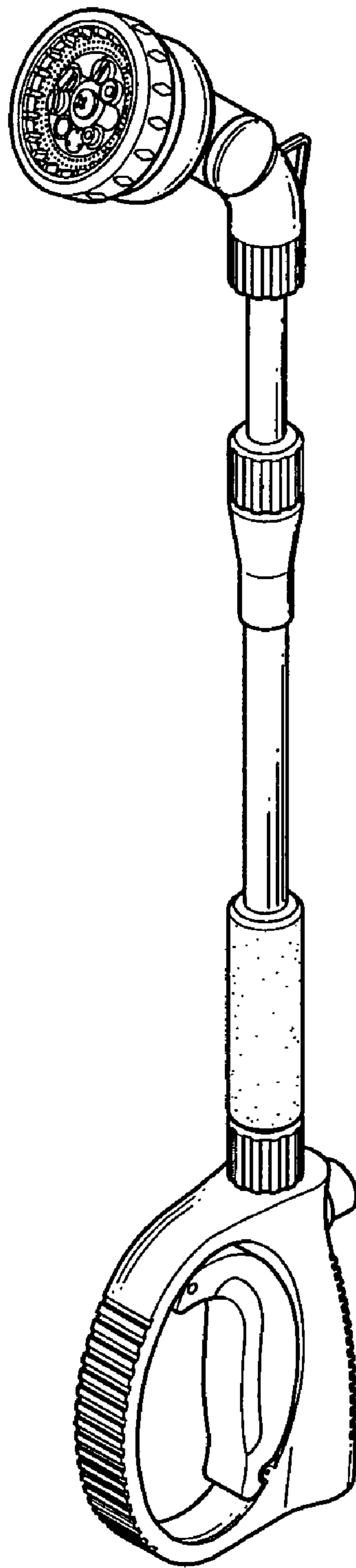


FIG.1

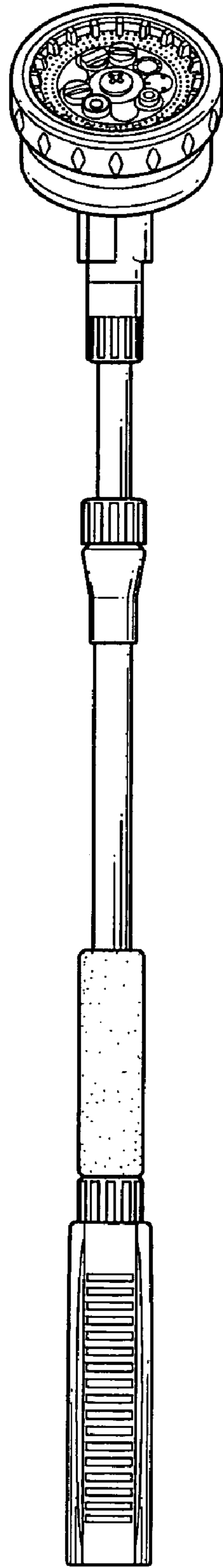


FIG.2

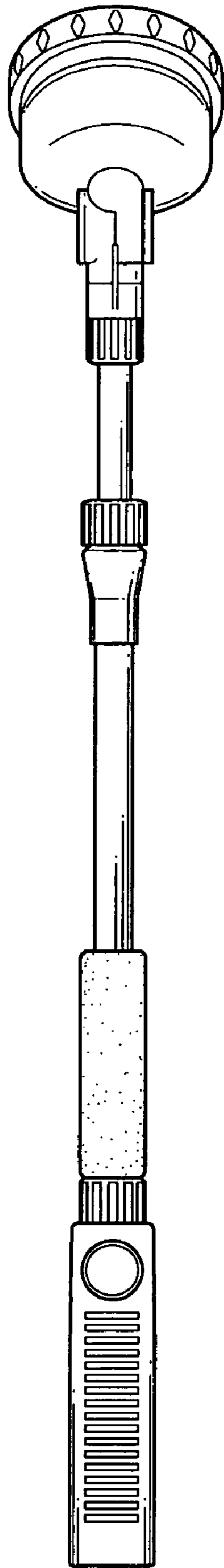


FIG.3

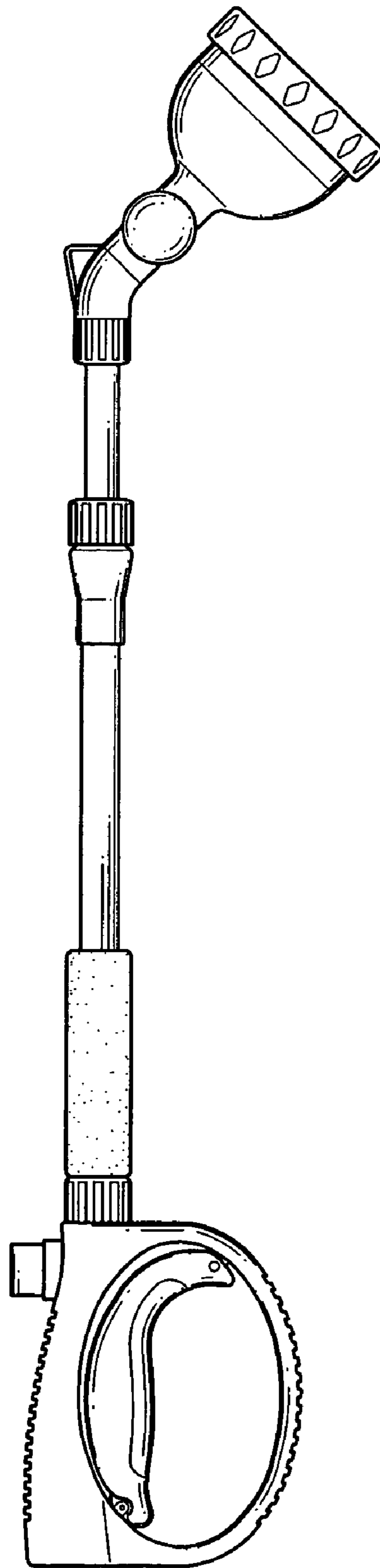


FIG.4

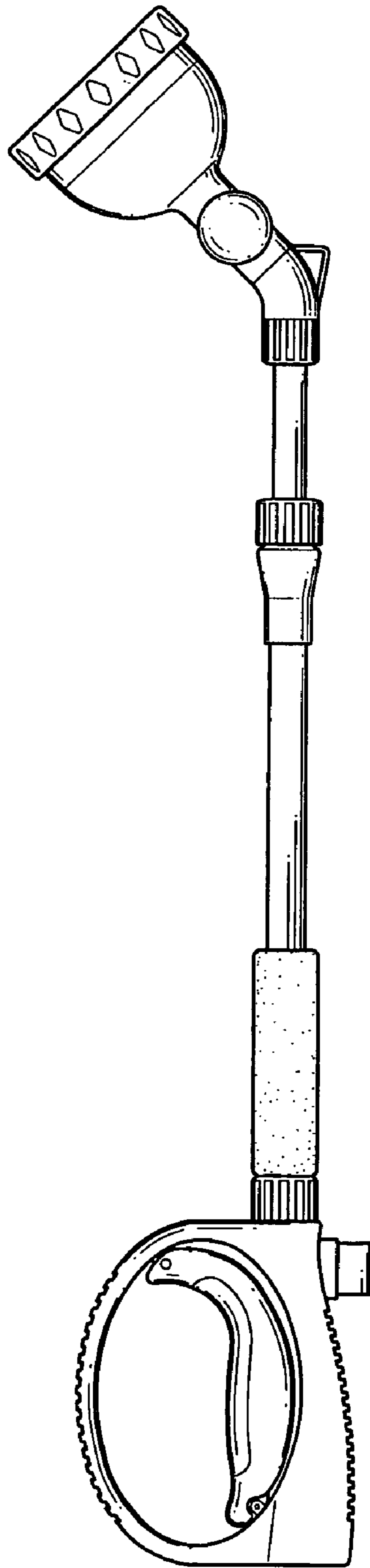


FIG.5

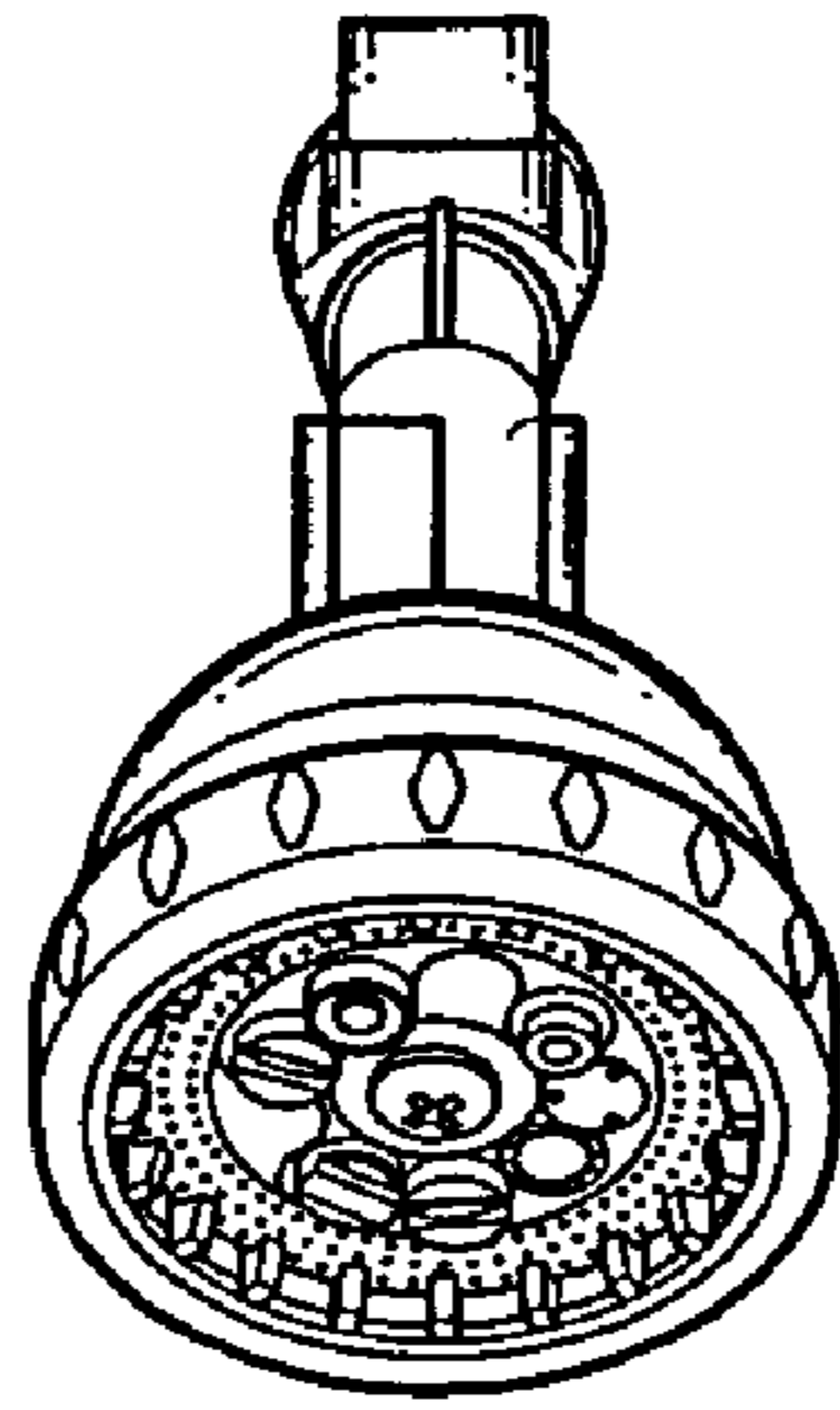


FIG. 6

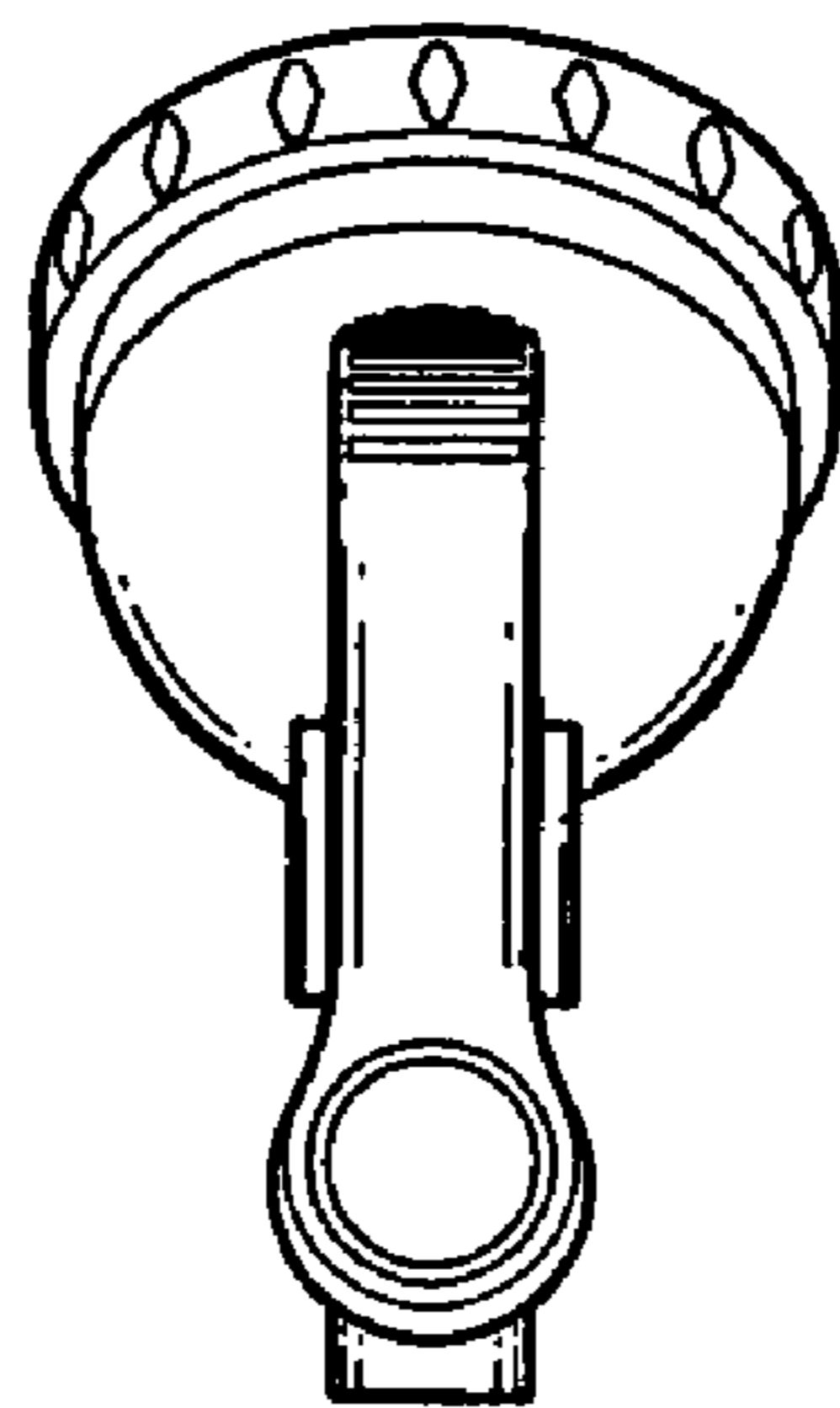


FIG. 7