



US00D557376S

(12) **United States Design Patent**
Zerrer et al.

(10) **Patent No.: US D557,376 S**

(45) **Date of Patent: ** Dec. 11, 2007**

(54) **DECONTAMINATION NOZZLE**

2005/0199293 A1 9/2005 Fulcher et al.

(75) Inventors: **Richard Zerrer**, Wooster, OH (US);
Roger Flagler, Cincinnati, OH (US)

FOREIGN PATENT DOCUMENTS

(73) Assignee: **RHBA Acquisitions, LLC**, Shreve, OH (US)

CA	2 497 005	8/2005
JP	2001-252370	9/2001
SU	596717	3/1978
SU	1253521	8/1986

(**) Term: **14 Years**

* cited by examiner

(21) Appl. No.: **29/267,134**

Primary Examiner—Robin V. Webster

(22) Filed: **Oct. 4, 2006**

(74) *Attorney, Agent, or Firm*—Hahn Loeser + Parks LLP;
Shannon V. McCue

(51) **LOC (8) Cl.** **23-01**

(52) **U.S. Cl.** **D23/213**

(58) **Field of Classification Search** D23/213;
239/548; 169/37

(57) **CLAIM**

The ornamental design for a decontamination nozzle, as shown and described.

See application file for complete search history.

DESCRIPTION

(56) **References Cited**

FIG. 1 is a perspective view of a decontamination nozzle showing our new design;

U.S. PATENT DOCUMENTS

FIG. 2 is a top plan view thereof;

1,077,936 A	11/1913	Hudson	
1,120,861 A	12/1914	Thalman et al.	
2,568,171 A	9/1951	Sigmund	
2,677,577 A	5/1954	Miller	
2,759,766 A	8/1956	Thomas	
3,559,974 A *	2/1971	Berry	239/132.3
3,650,471 A	3/1972	Sutton	
4,085,171 A	4/1978	Baker et al.	
D314,227 S	1/1991	Christ	D23/215
5,090,619 A	2/1992	Barthold et al.	
5,205,306 A	4/1993	Peterson	
D445,870 S *	7/2001	Palestrant	D23/213
D449,370 S *	10/2001	Palestrant	D23/213
6,305,620 B1	10/2001	Marchese	
6,315,219 B1 *	11/2001	Palestrant	239/550

FIG. 3 is a front elevational view thereof;

FIG. 4 is a rear elevational view thereof;

FIG. 5 is a bottom plan view thereof;

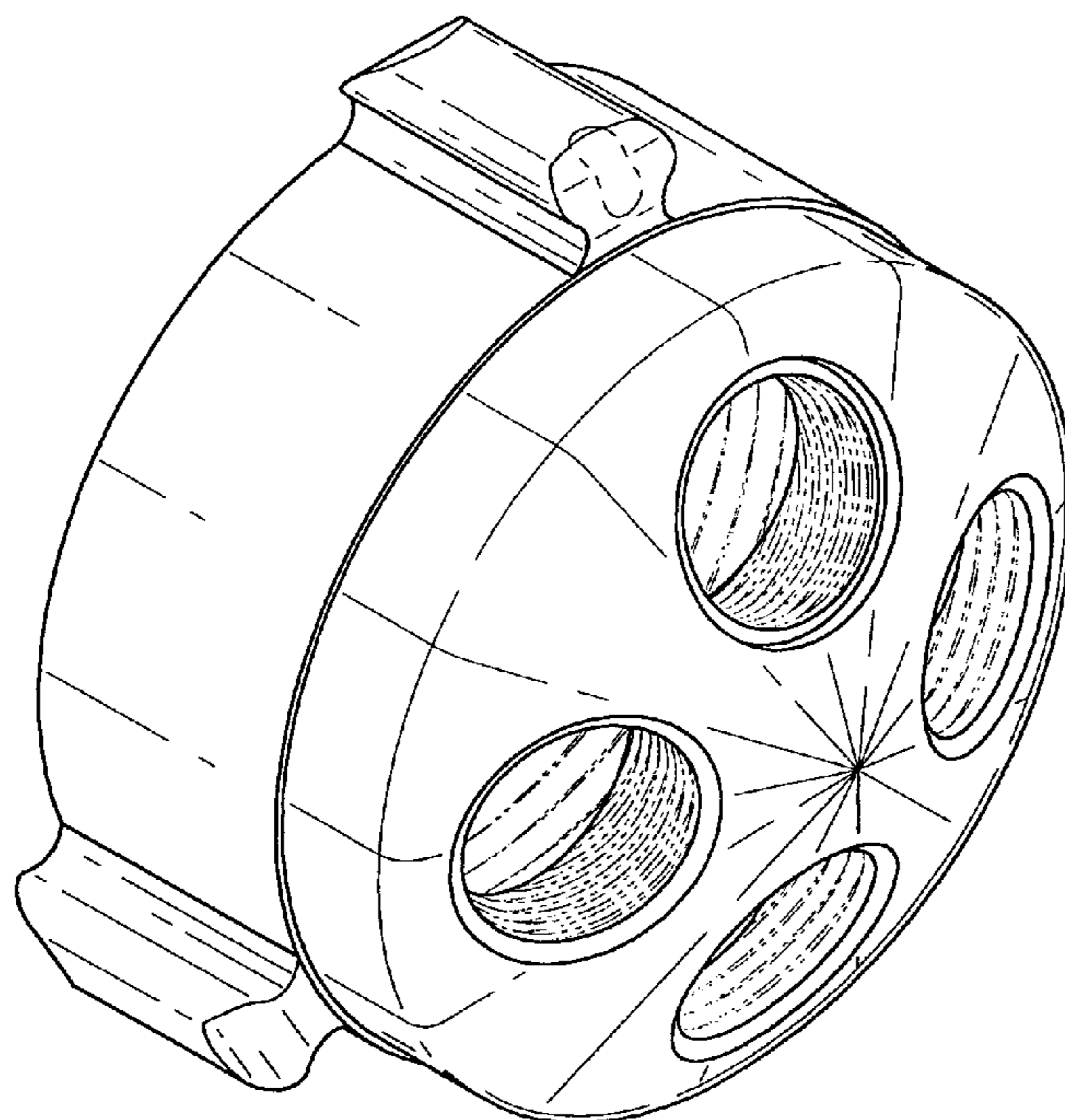
FIG. 6 is a left side elevational view thereof;

FIG. 7 is a right side elevational view thereof; and,

FIG. 8 is a perspective view similar to FIG. 1 with spray nozzles attached to the decontamination nozzle shown in broken lines.

The broken lines used in the drawings are for illustrative purposes and do not form part of the claimed invention.

1 Claim, 5 Drawing Sheets



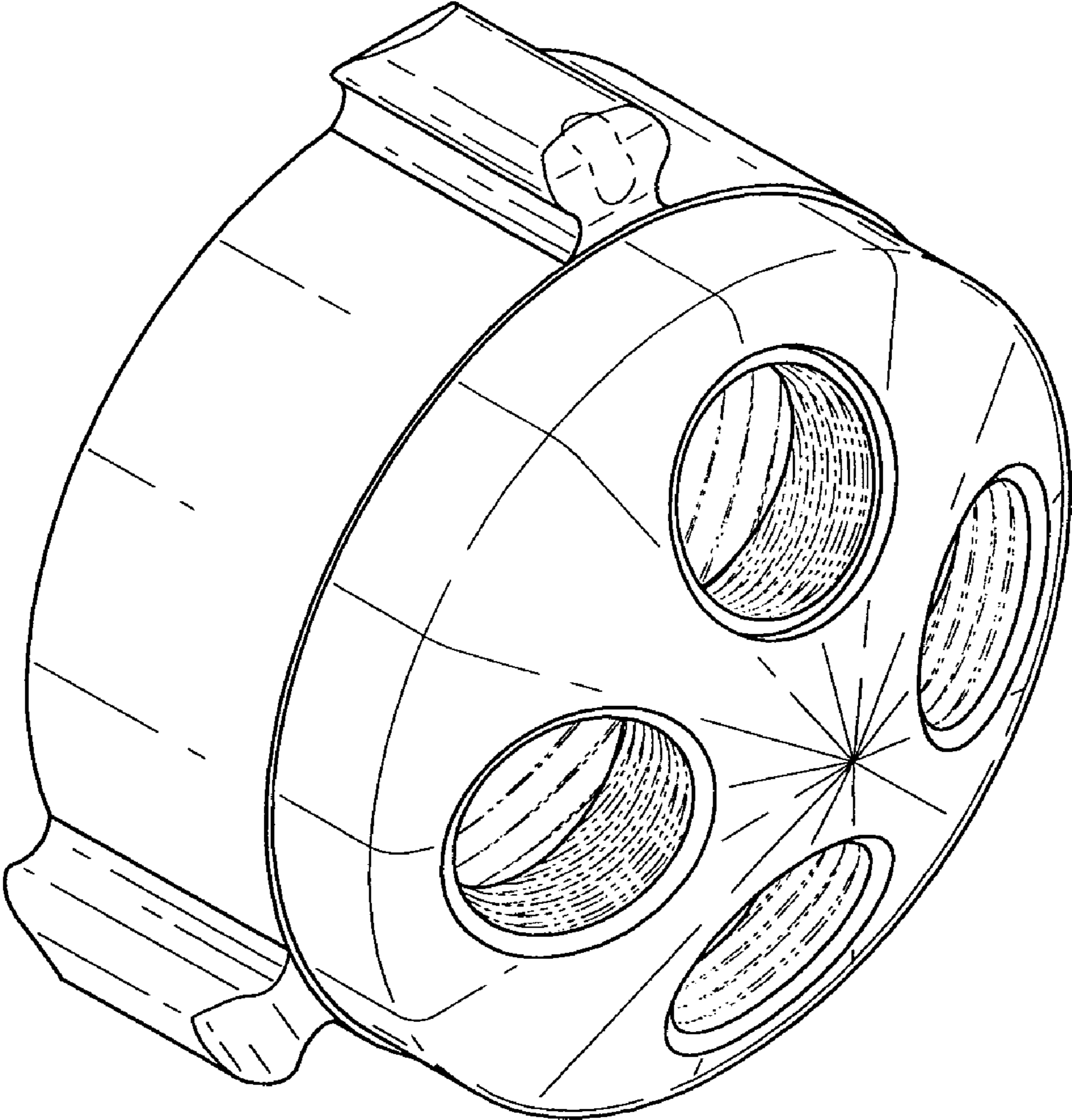


FIG-1

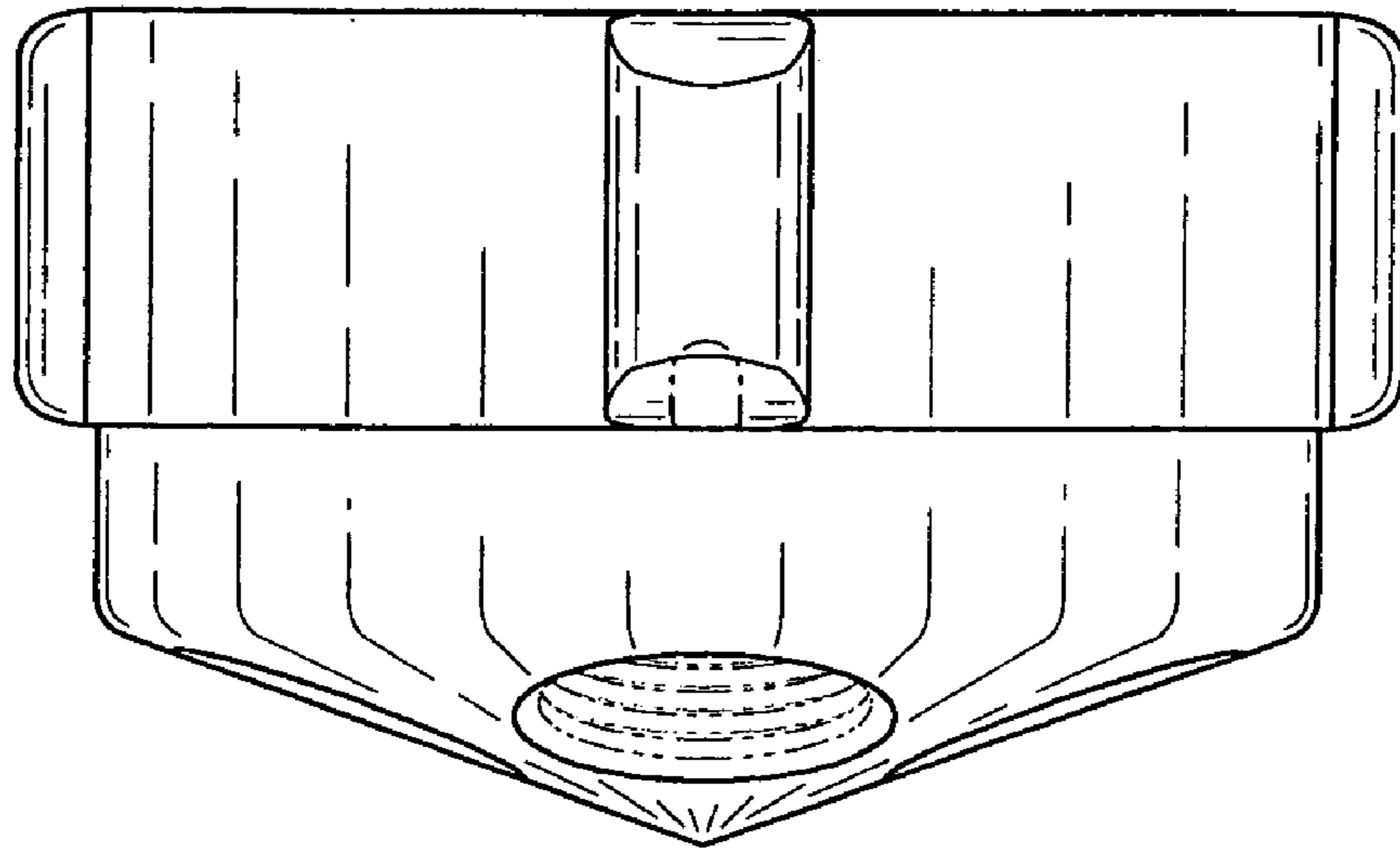


FIG-2

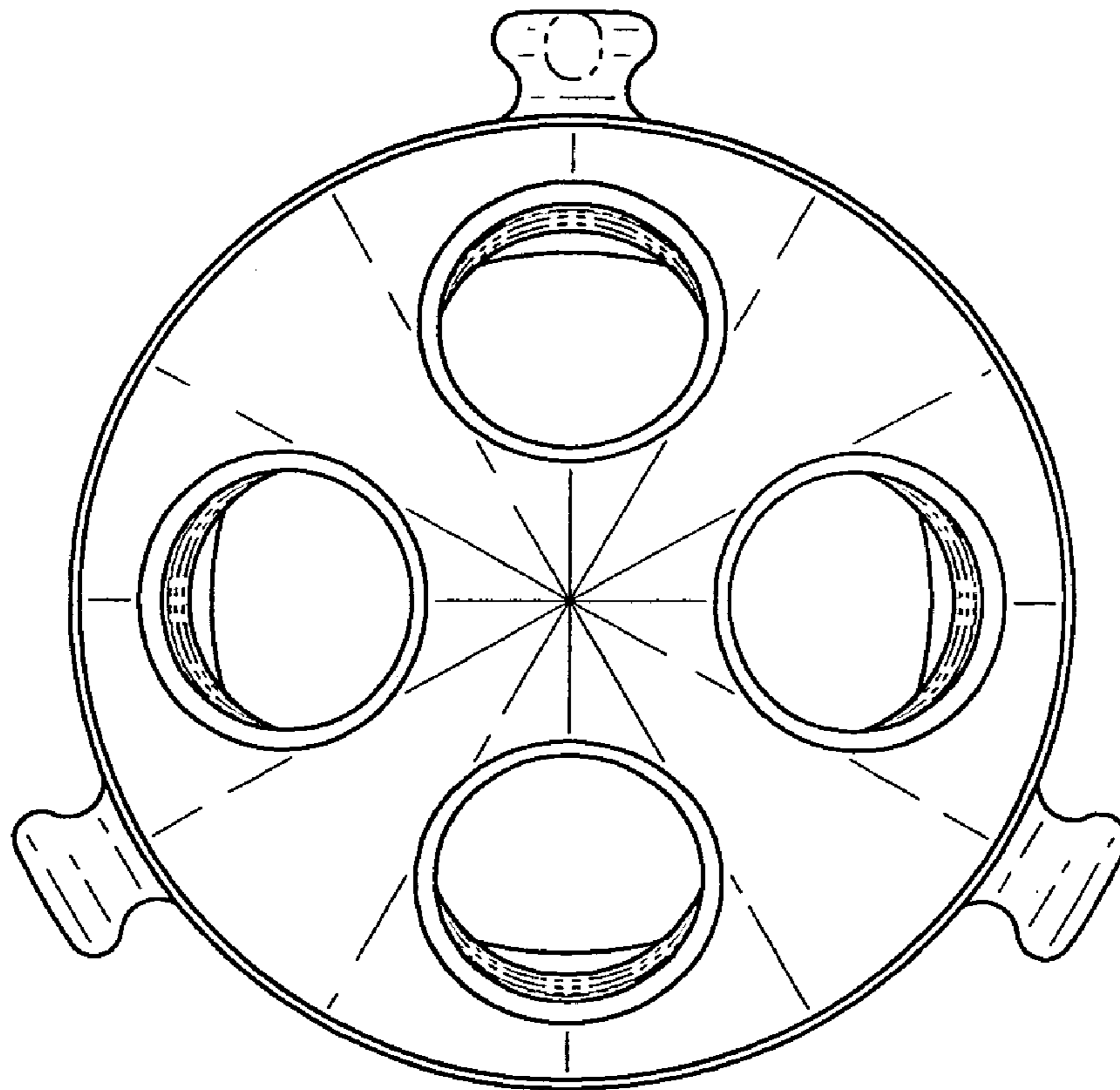


FIG-3

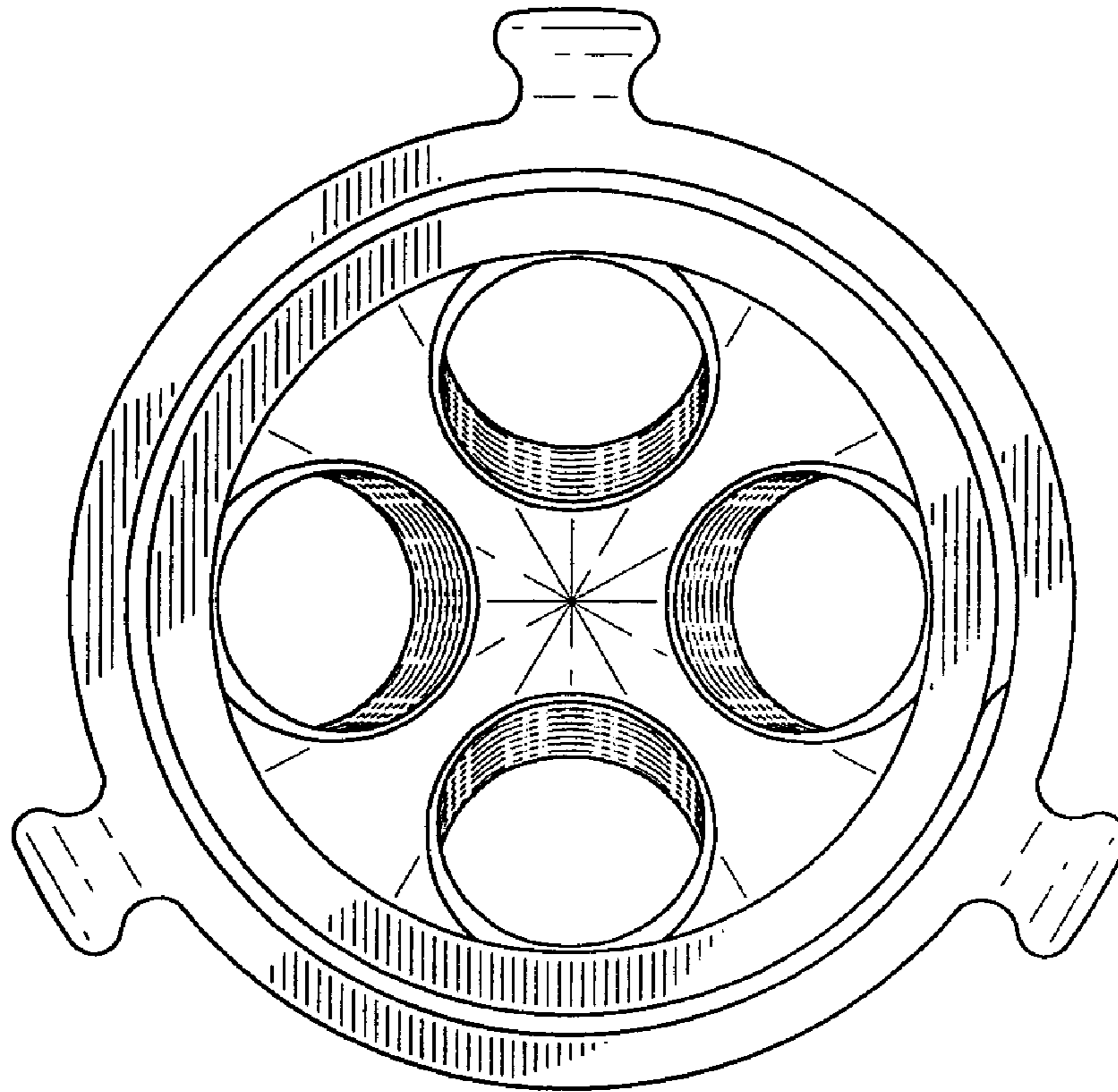


FIG-4

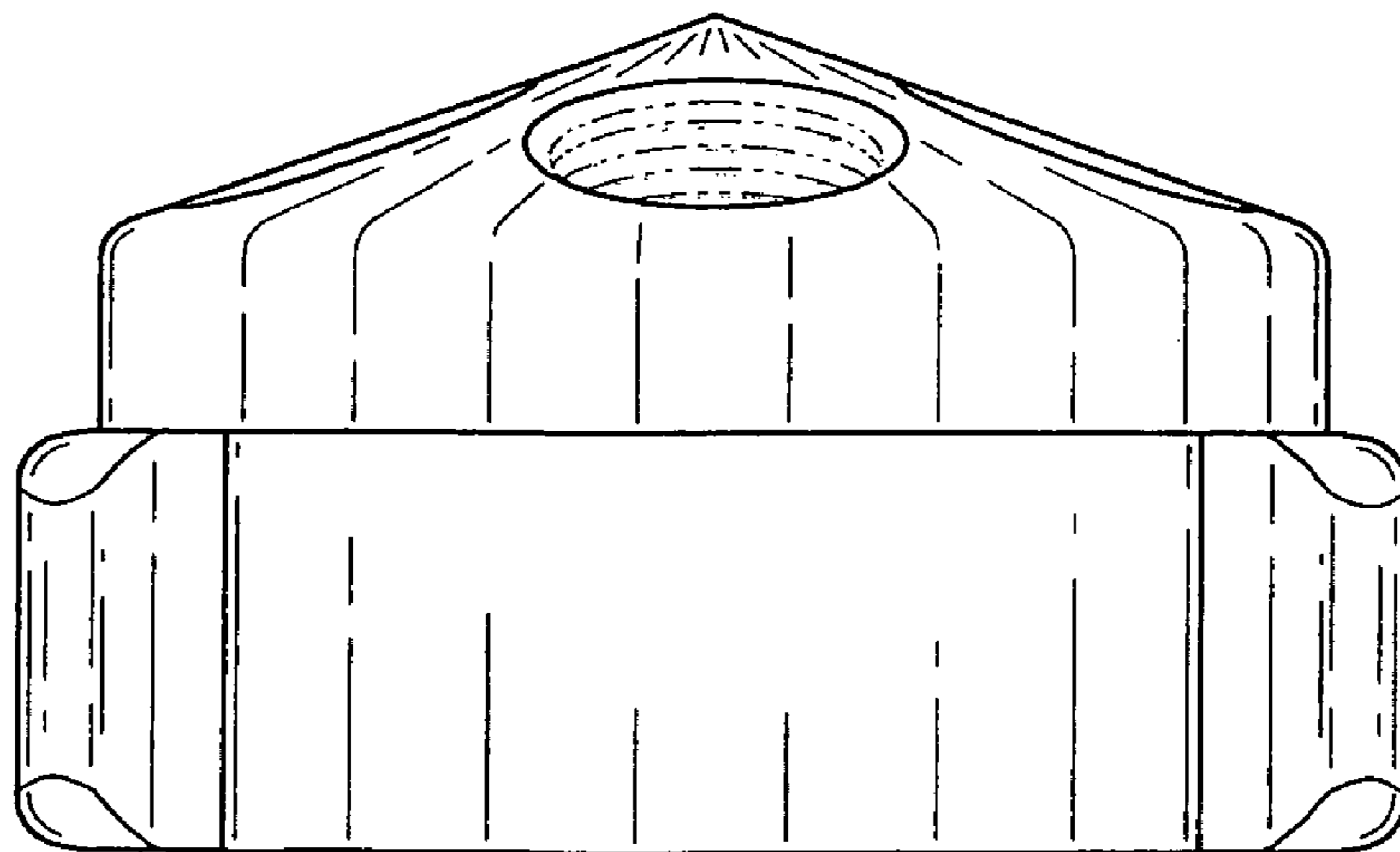


FIG-5

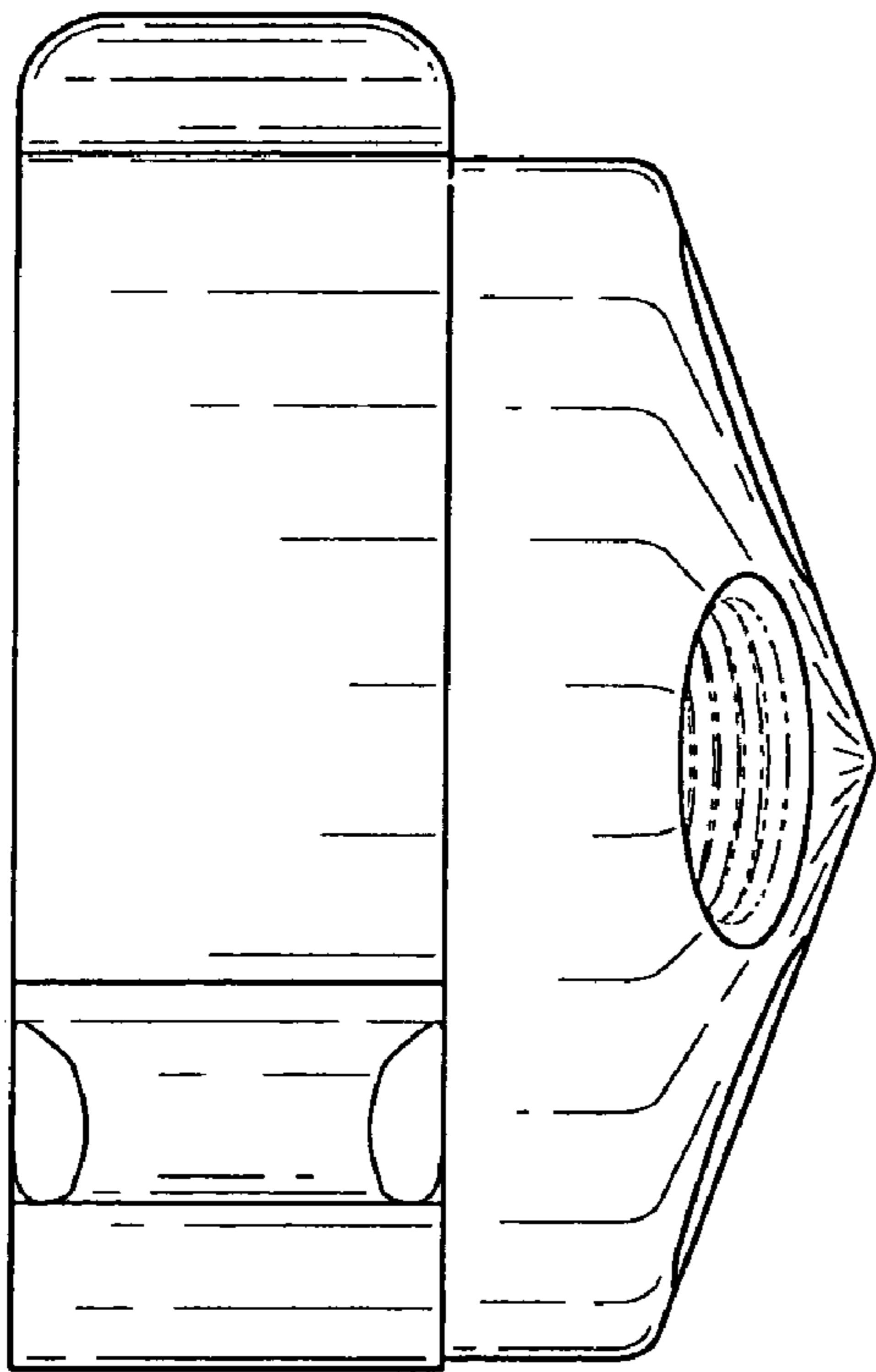


FIG-6

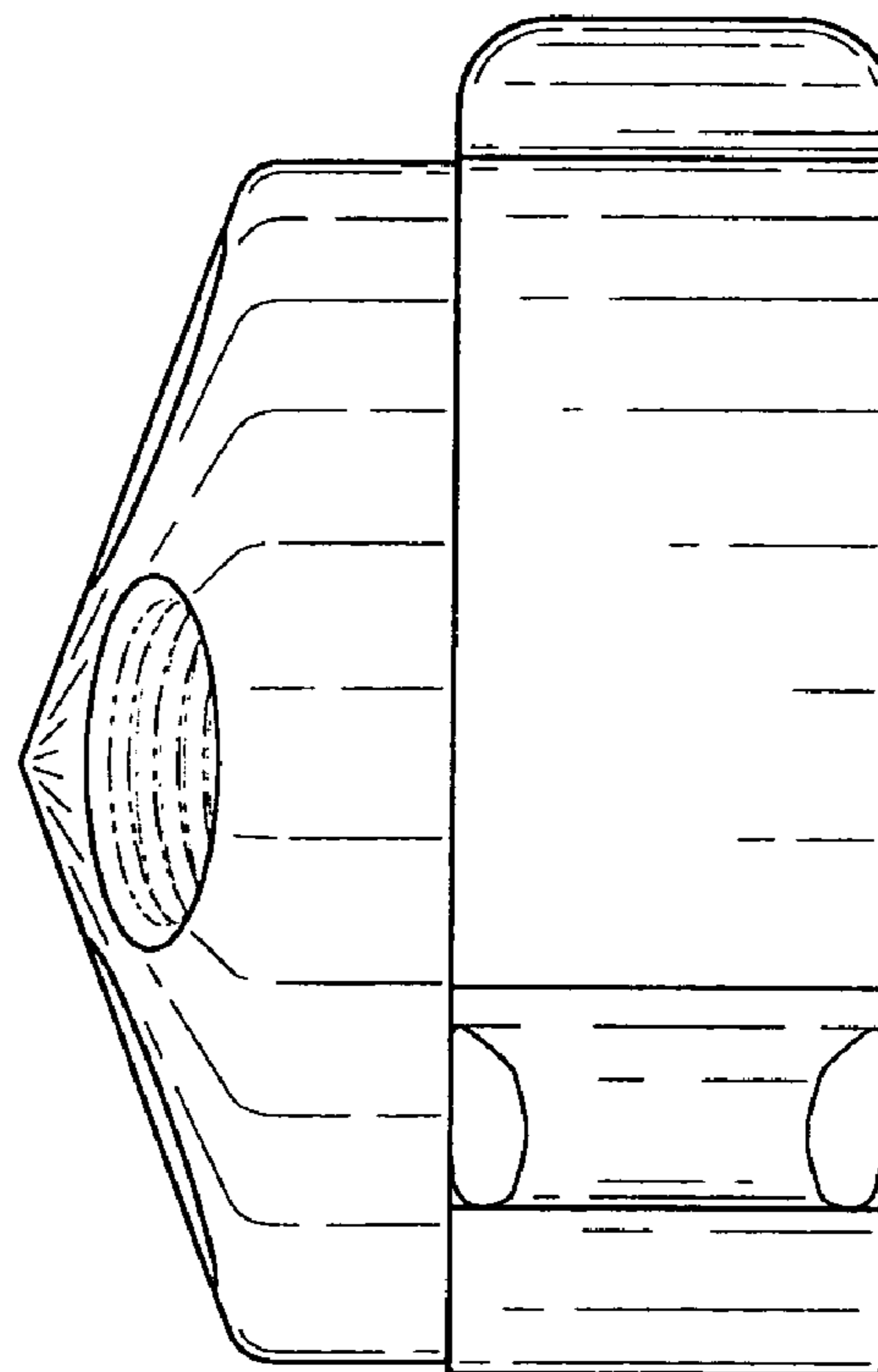


FIG-7

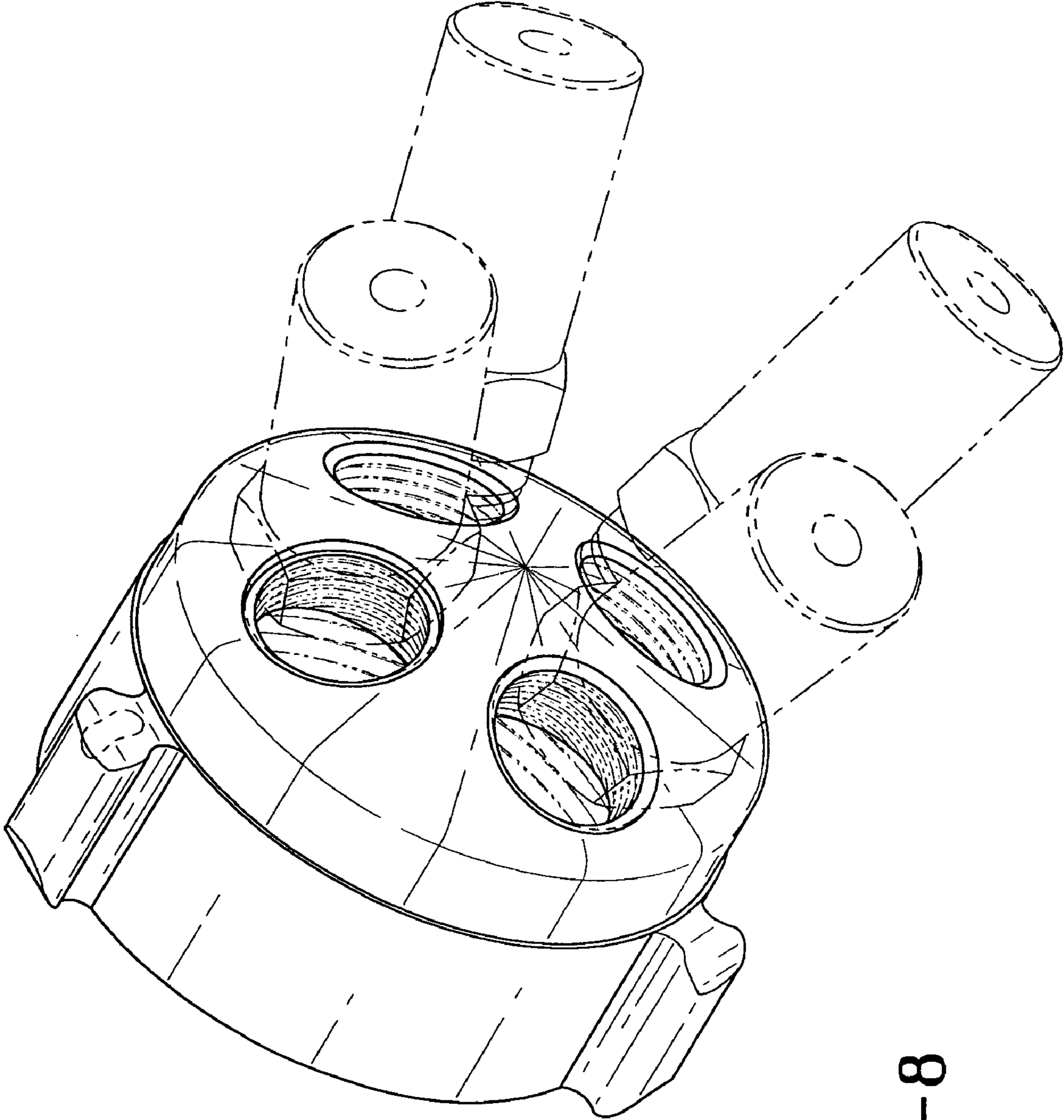


FIG-8