



US00D557372S

(12) **United States Design Patent**
Brown

(10) **Patent No.:** **US D557,372 S**

(45) **Date of Patent:** **** Dec. 11, 2007**

(54) **FREE-STANDING, MULTI-UNIT WATERFALL SUPPORT STRUCTURE WITH SHELVES, COMPRISED FROM MATERIAL OF BAMBOO APPEARANCE**

7,255,288 B2 * 8/2007 Chan 239/16

* cited by examiner

Primary Examiner—Robin V Webster

(76) **Inventor:** **Douglas Lynn Brown**, P.O. Box 803023, Santa Clarita, CA (US) 91380

(57) **CLAIM**

(**) **Term:** **14 Years**

The ornamental design for a free-standing, multi-unit waterfall support structure with shelves, comprised from material of bamboo appearance, as shown.

(21) **Appl. No.:** **29/264,979**

(22) **Filed:** **Aug. 23, 2006**

DESCRIPTION

(51) **LOC (8) Cl.** **23-01**

FIG. 1 is a perspective view of a waterfall support structure showing my new design

(52) **U.S. Cl.** **D23/201**

FIG. 2 is a front elevational view thereof

(58) **Field of Classification Search** D23/201;

FIG. 3 is a rear elevational view thereof

239/17-21

FIG. 4 is a right side elevational view thereof

See application file for complete search history.

FIG. 5 is a left side elevational view thereof

FIG. 6 is a top plan view thereof

(56) **References Cited**

U.S. PATENT DOCUMENTS

D379,843 S * 6/1997 Wood D23/215

FIG. 7 is a rear perspective view thereof; and,

D431,875 S * 10/2000 Gutierrez D26/57

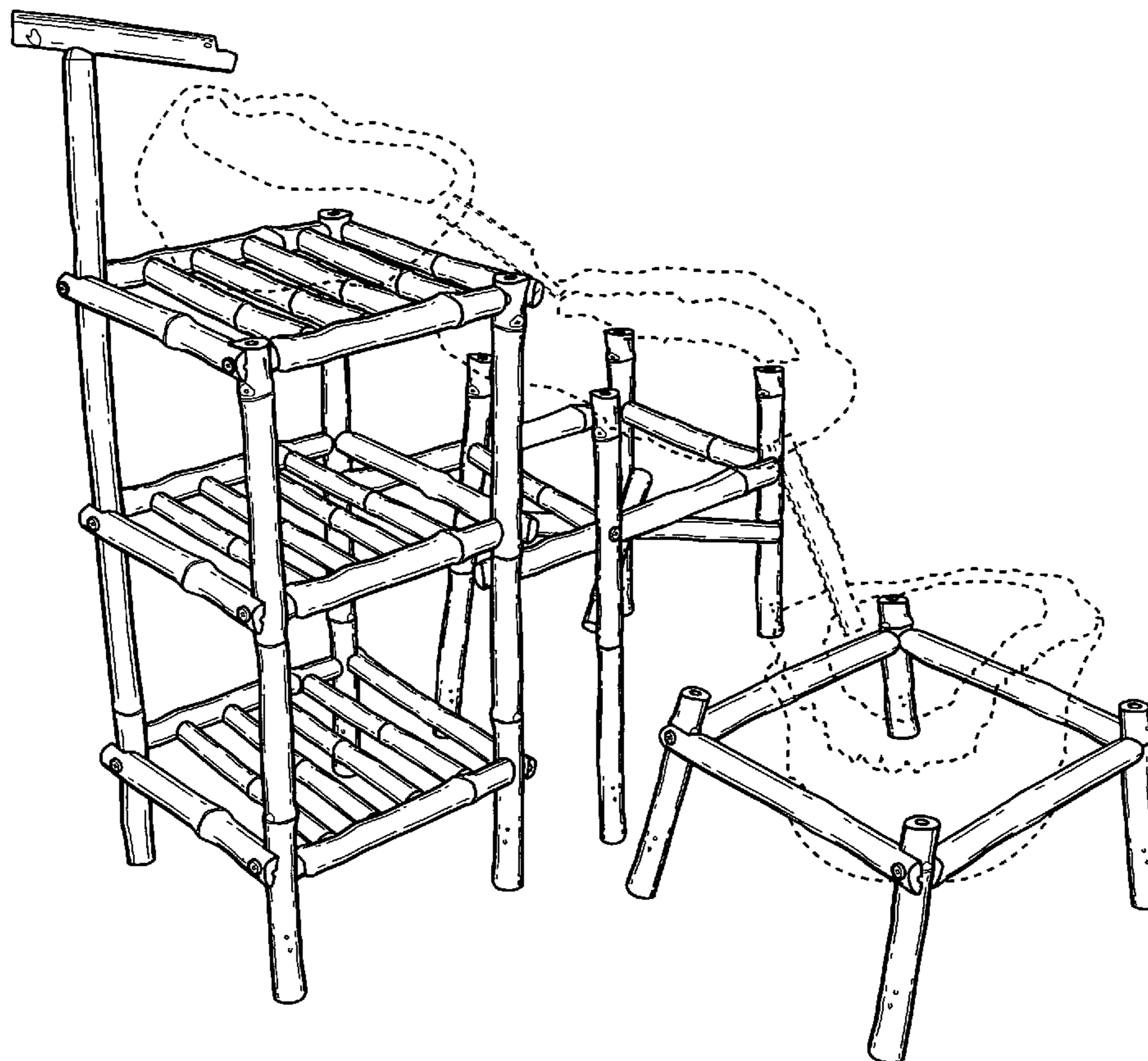
FIG. 8 is an in-line perspective view thereof.

6,149,070 A * 11/2000 Hones 239/17

The broken line showing is included for the purpose of illustrating and forms no part of the claimed design.

6,209,797 B1 * 4/2001 Jenney 239/17

1 Claim, 8 Drawing Sheets



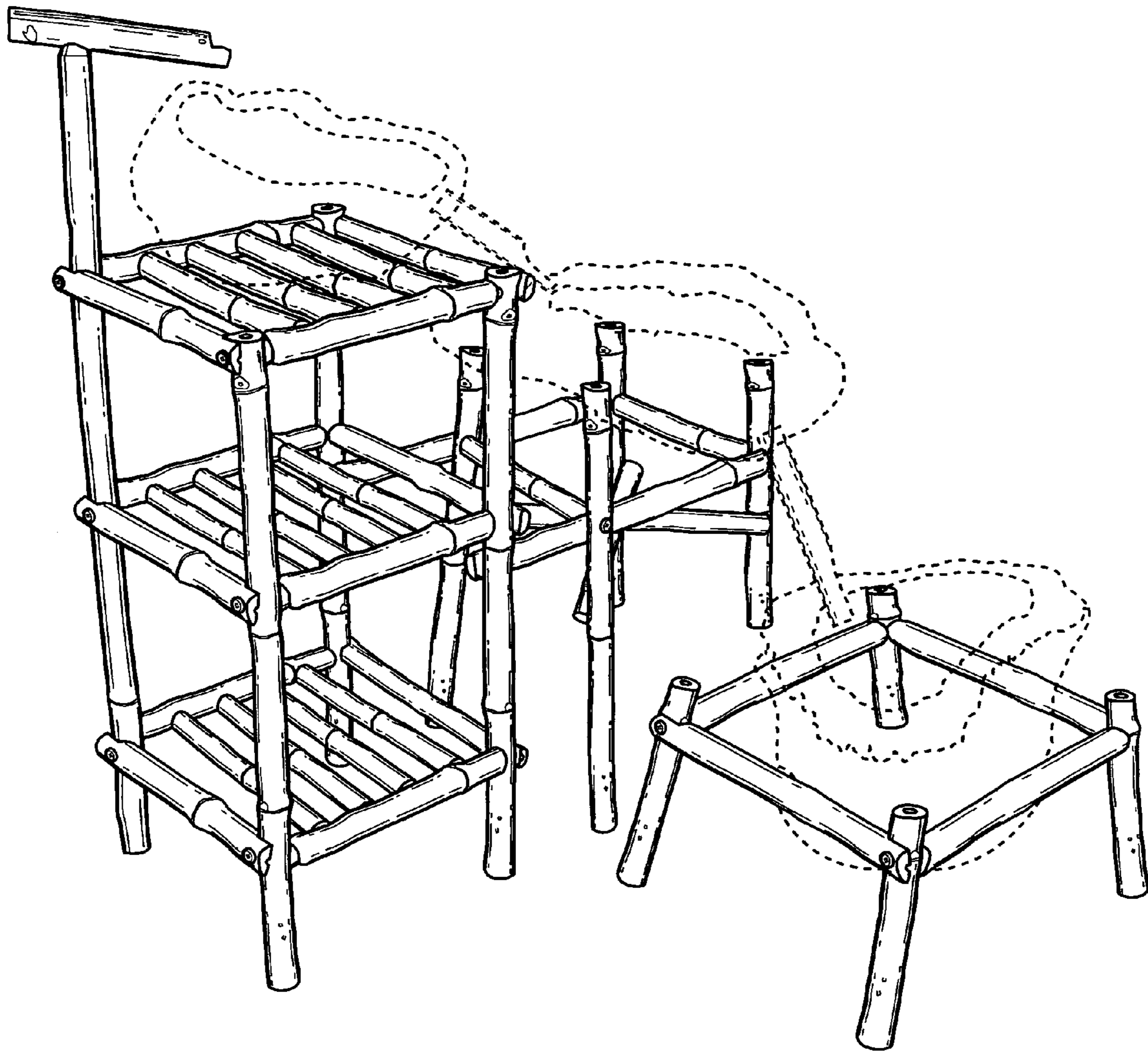


Fig. 1

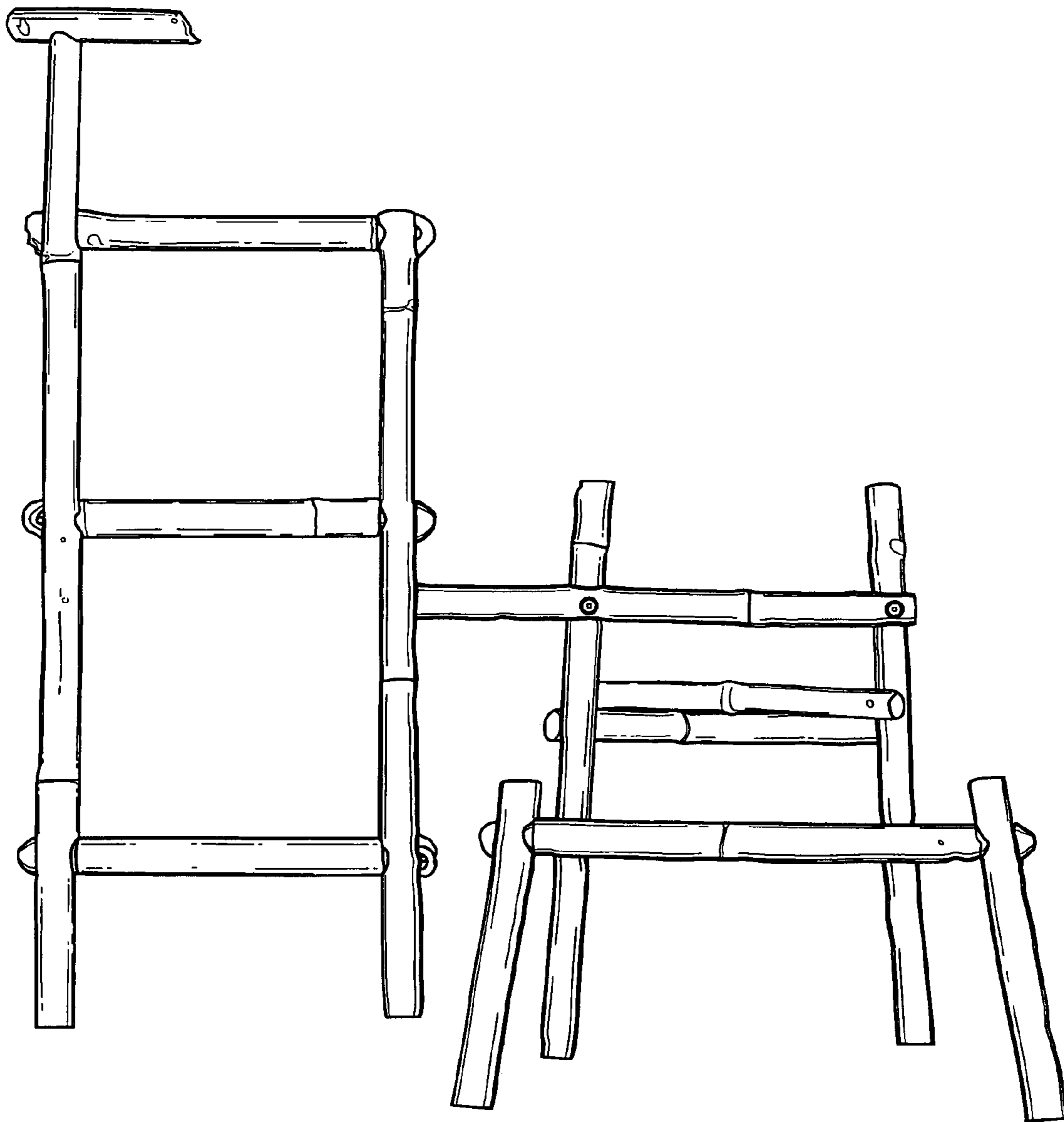


Fig. 2

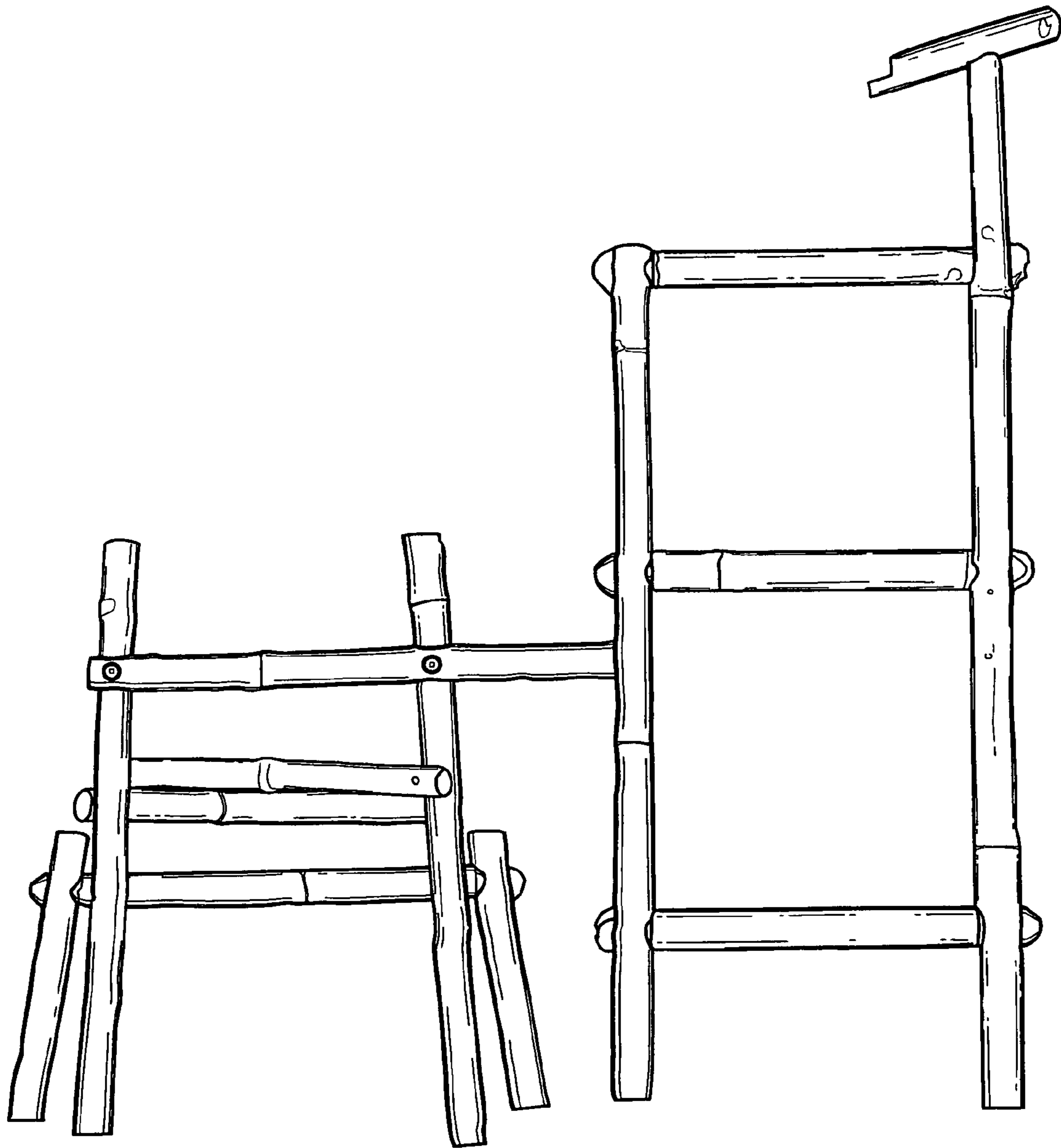


Fig. 3

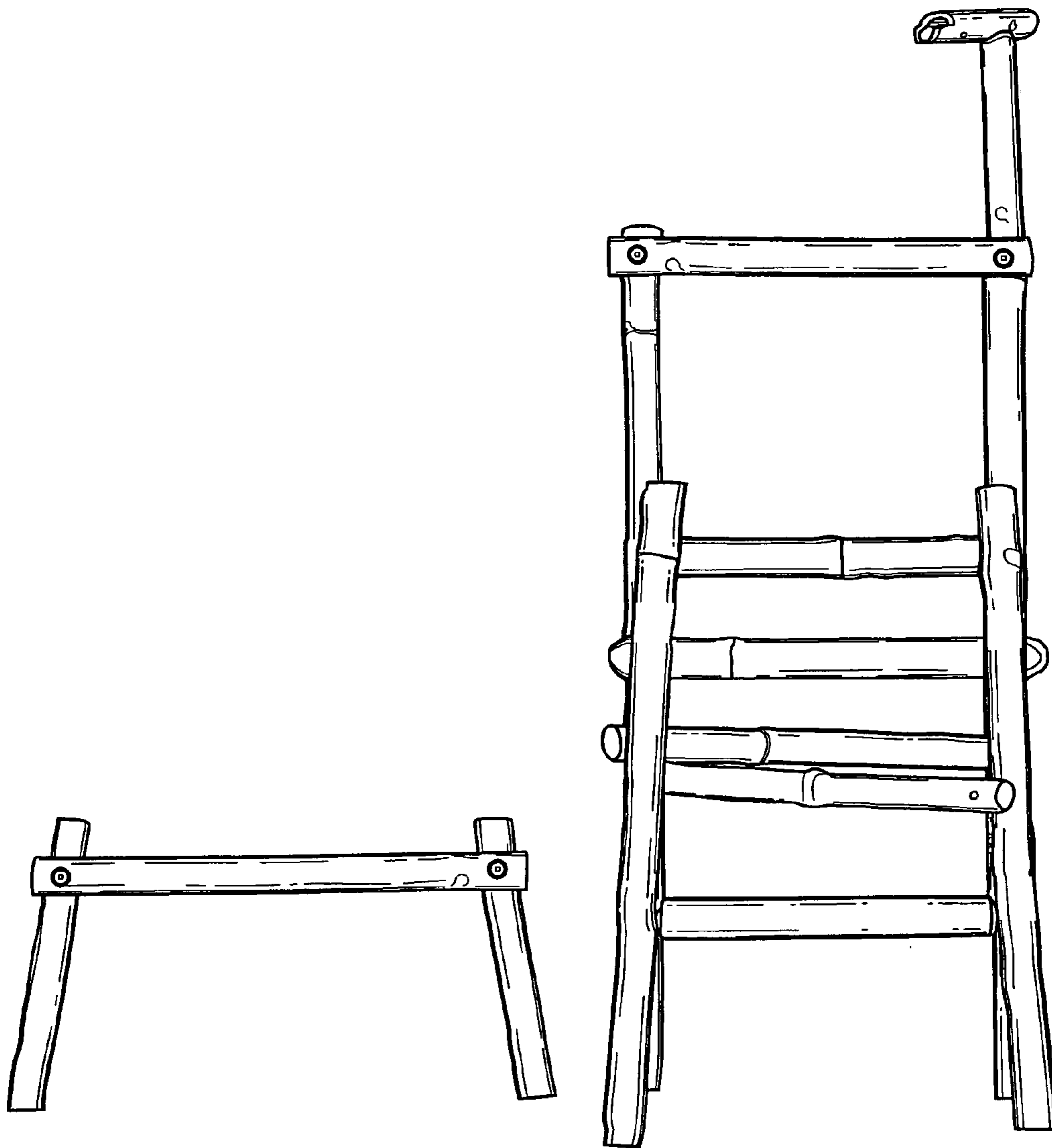


Fig. 4

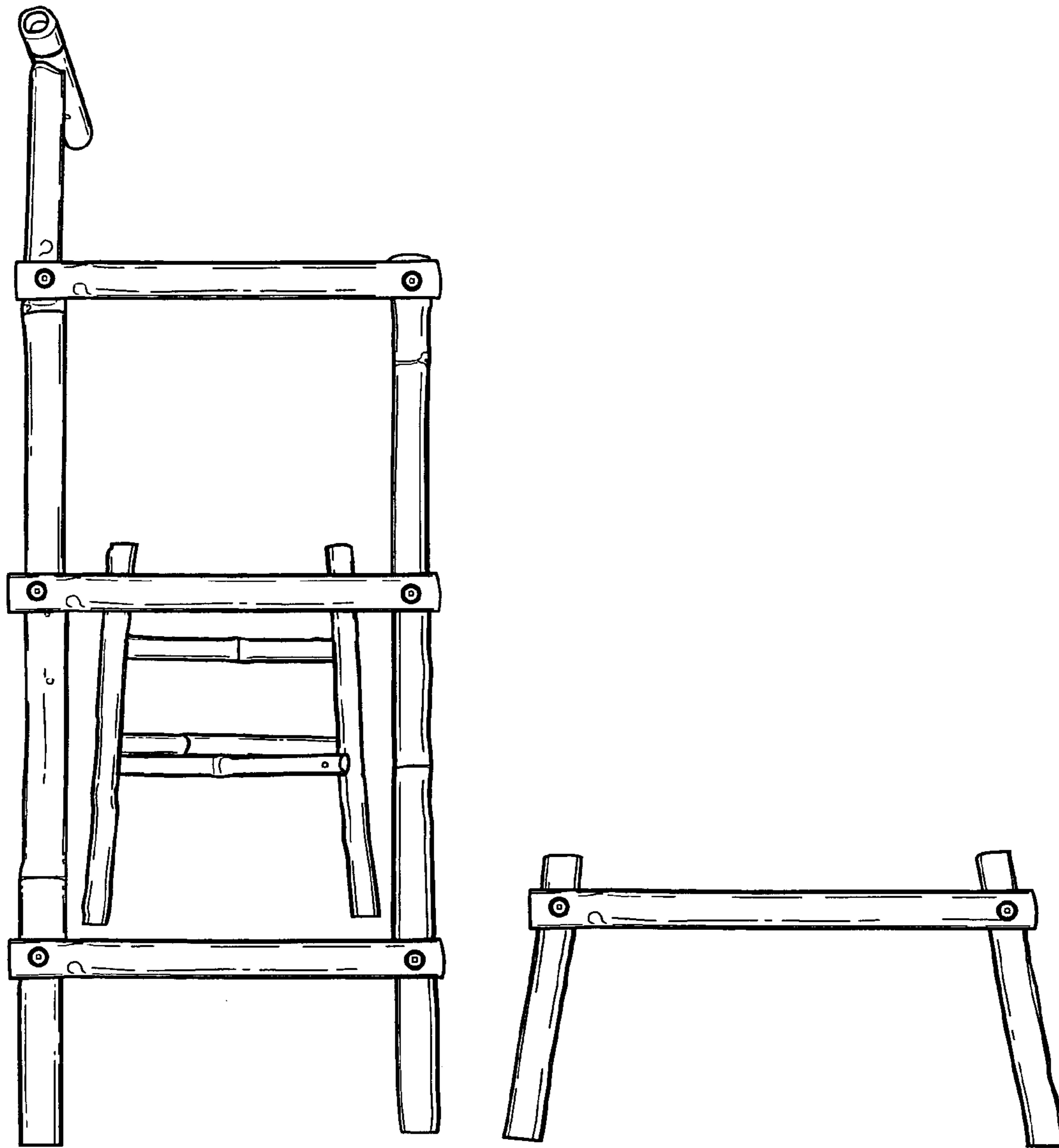


Fig. 5

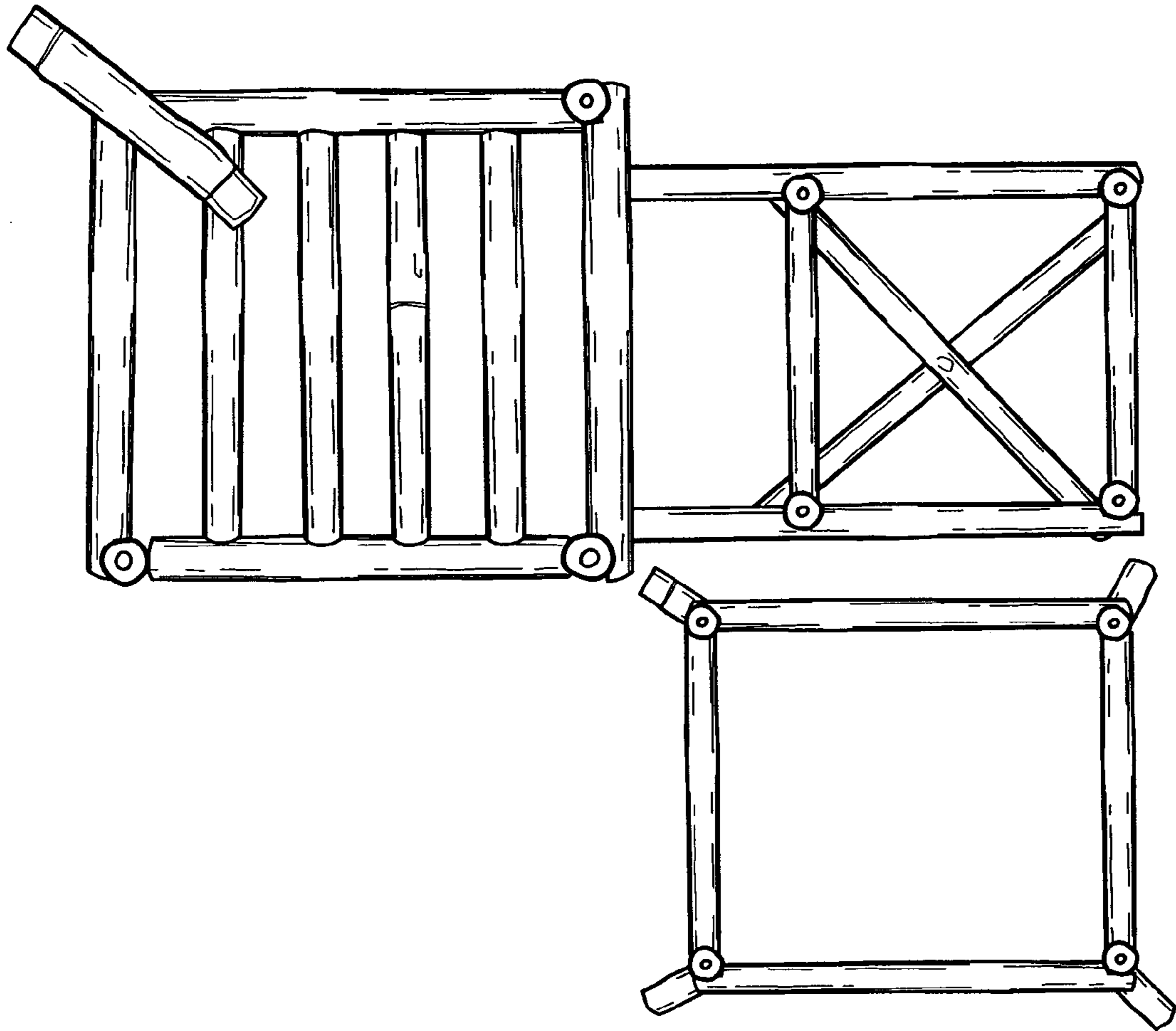


Fig. 6

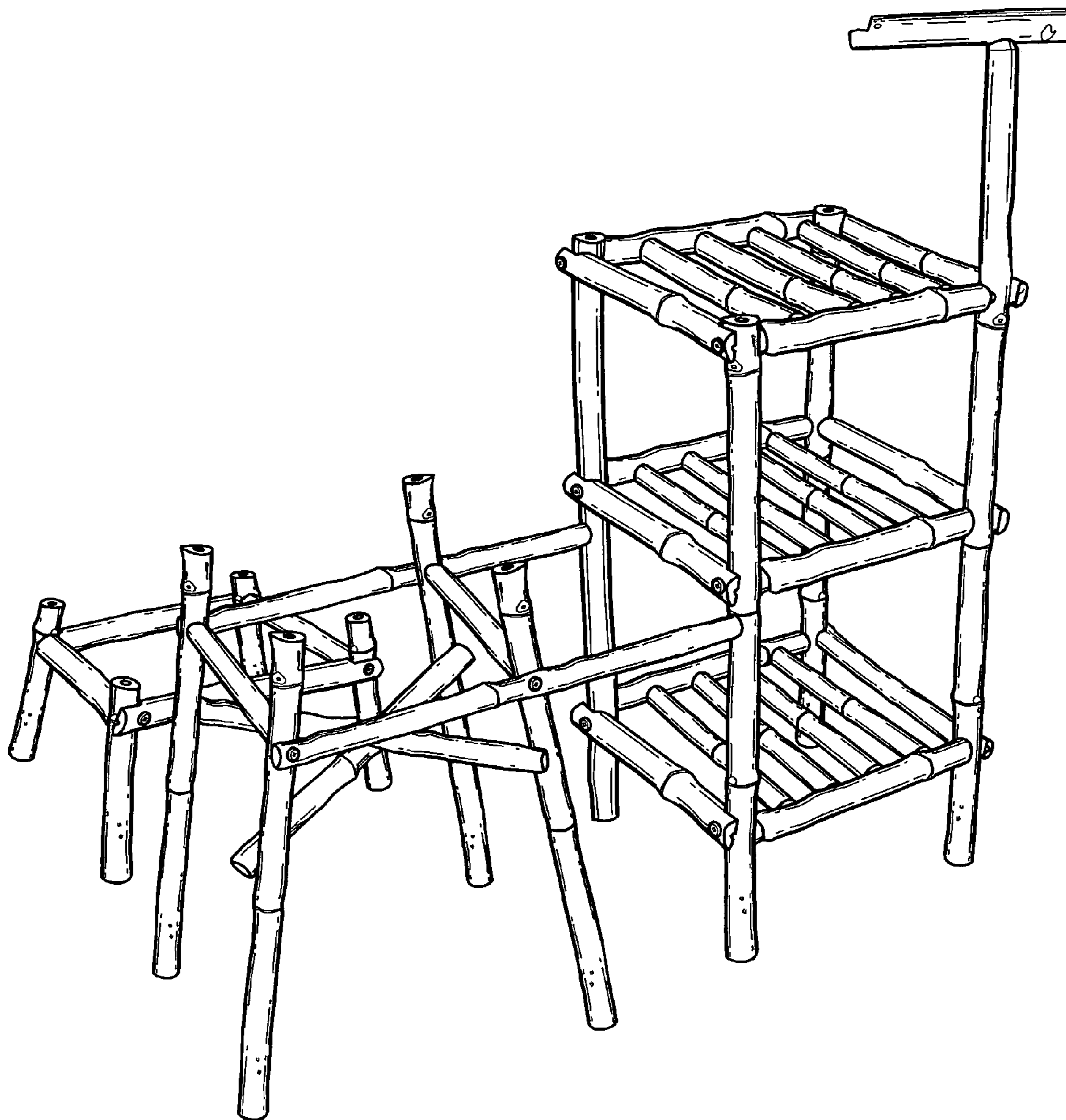


Fig. 7

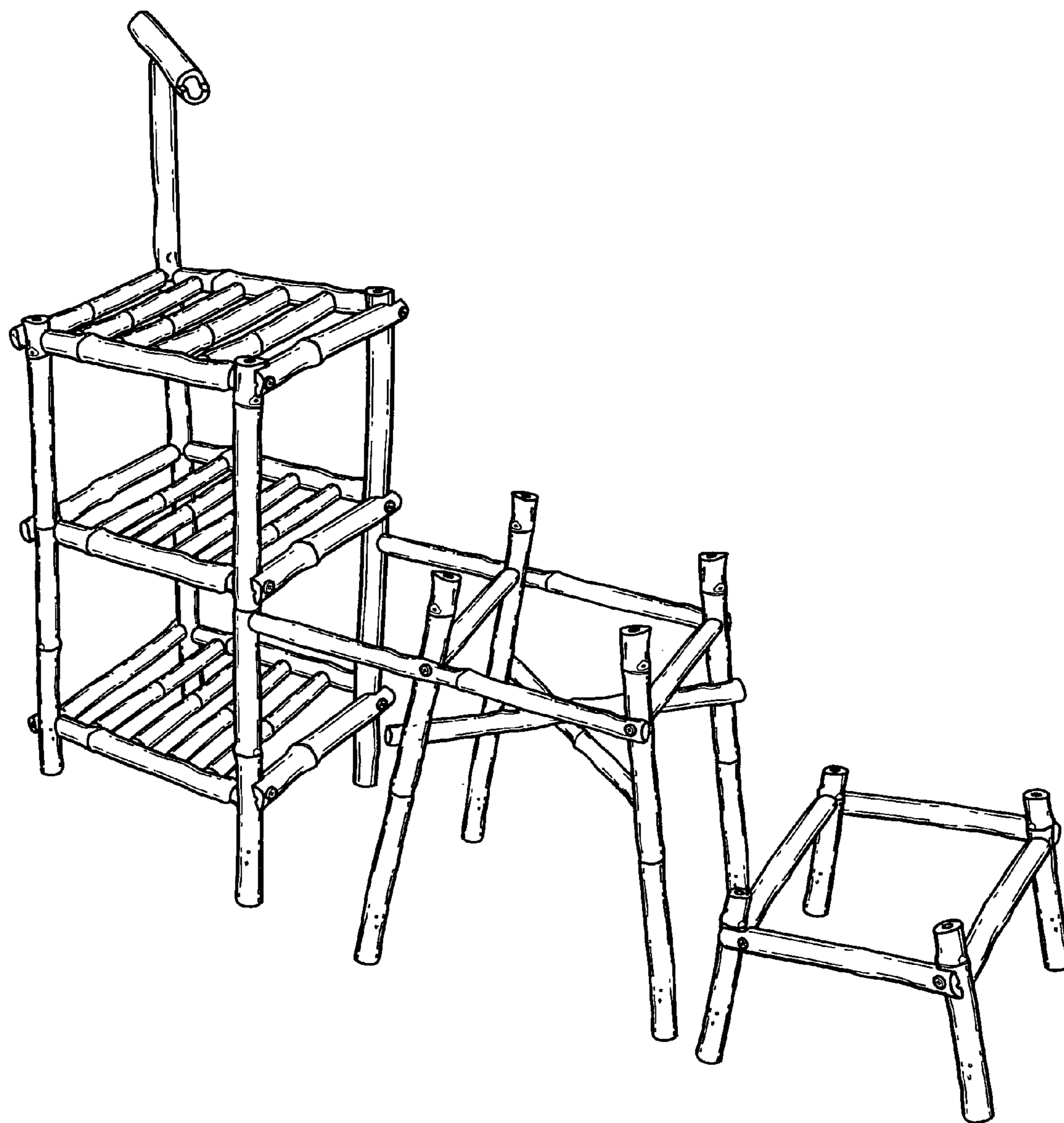


Fig. 8