



US00D557370S

(12) **United States Design Patent**
Chen

(10) **Patent No.:** **US D557,370 S**

(45) **Date of Patent:** **** Dec. 11, 2007**

(54) **SOLAR POWERED BUG ELIMINATOR**

D302,577 S * 8/1989 Lee D22/123
D323,015 S * 1/1992 Brookshire D22/123

(75) Inventor: **Chi Gon Chen**, Guang Zhou (CN)

* cited by examiner

(73) Assignee: **International Development Corporation**, Roanoke, TX (US)

Primary Examiner—Catherine R. Oliver

(**) Term: **14 Years**

(57) **CLAIM**

(21) Appl. No.: **29/273,099**

The ornamental design for a solar powered bug eliminator, as shown and described.

(22) Filed: **Feb. 27, 2007**

DESCRIPTION

(51) **LOC (8) Cl.** **22-06**

(52) **U.S. Cl.** **D22/123**

(58) **Field of Classification Search** D22/119–125;
43/112–113, 124, 131; D26/37–41

See application file for complete search history.

FIG. 1 is a perspective view;

FIG. 2 is a front elevational view, the rear elevational view being the same;

FIG. 3 is a top plan view;

FIG. 4 is a left side elevational view, the right side elevational view being the same; and,

FIG. 5 is a bottom plan view.

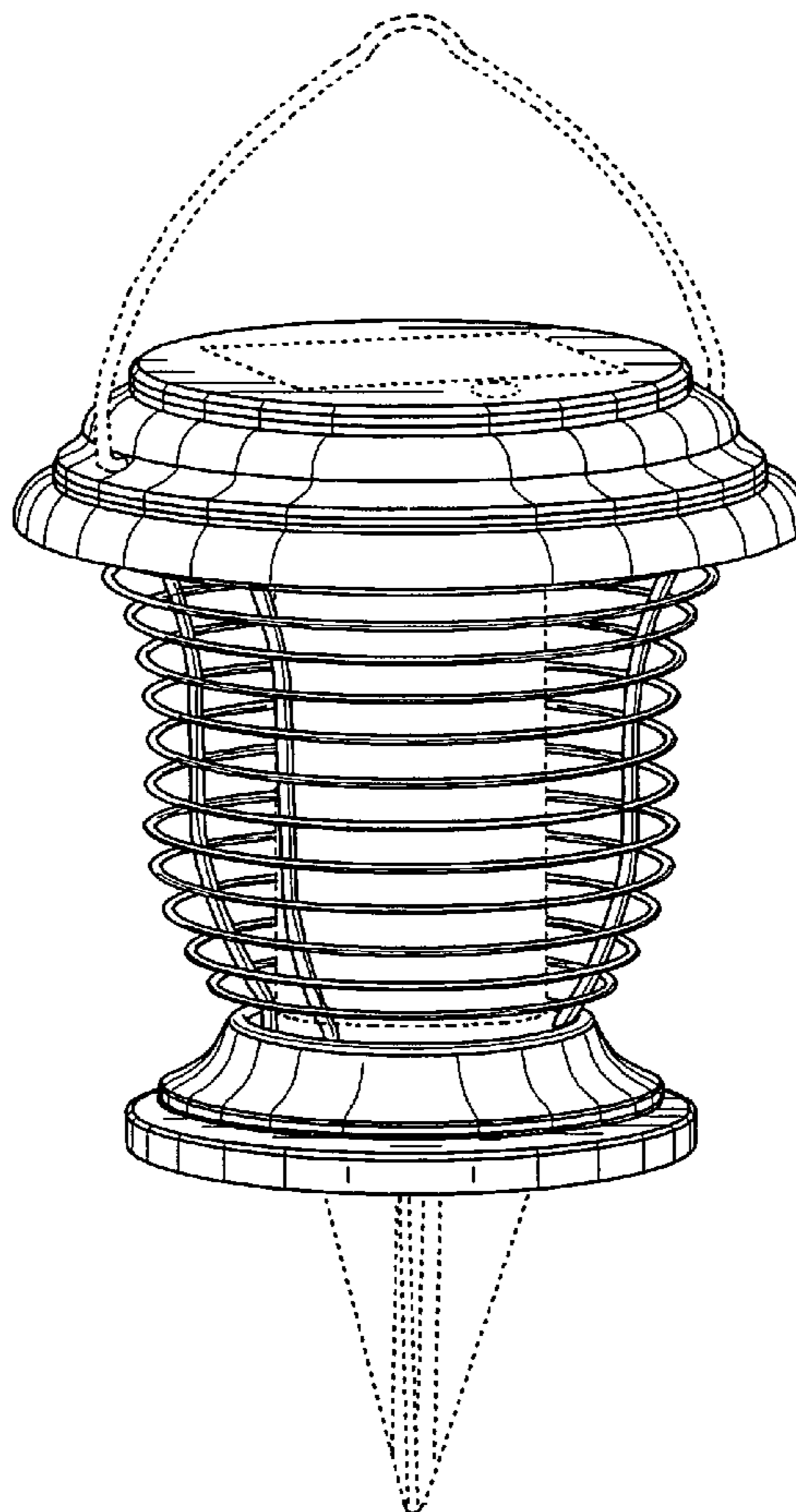
The broken line showing of environment in the drawings is included for the purpose of illustrating only and forms no part of the claimed design.

(56) **References Cited**

U.S. PATENT DOCUMENTS

- D218,114 S * 7/1970 Kahn D26/41
- D283,152 S * 3/1986 Cuning D22/123
- D283,153 S * 3/1986 DeYoreo D22/123
- D291,226 S * 8/1987 Wan D22/123
- D293,014 S * 12/1987 Davis D22/123
- D294,283 S * 2/1988 Yuen D22/123

1 Claim, 2 Drawing Sheets



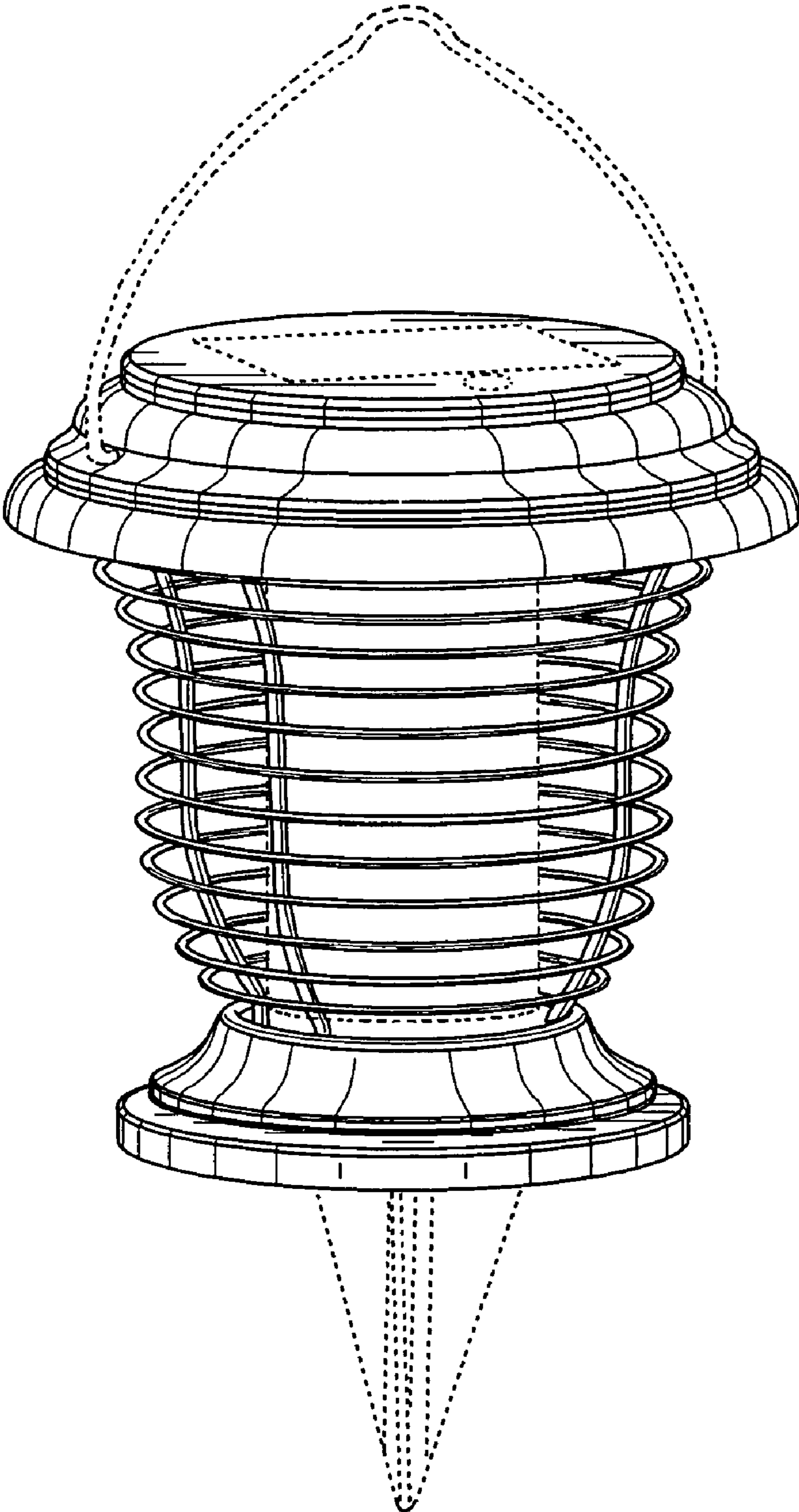


Fig. 1

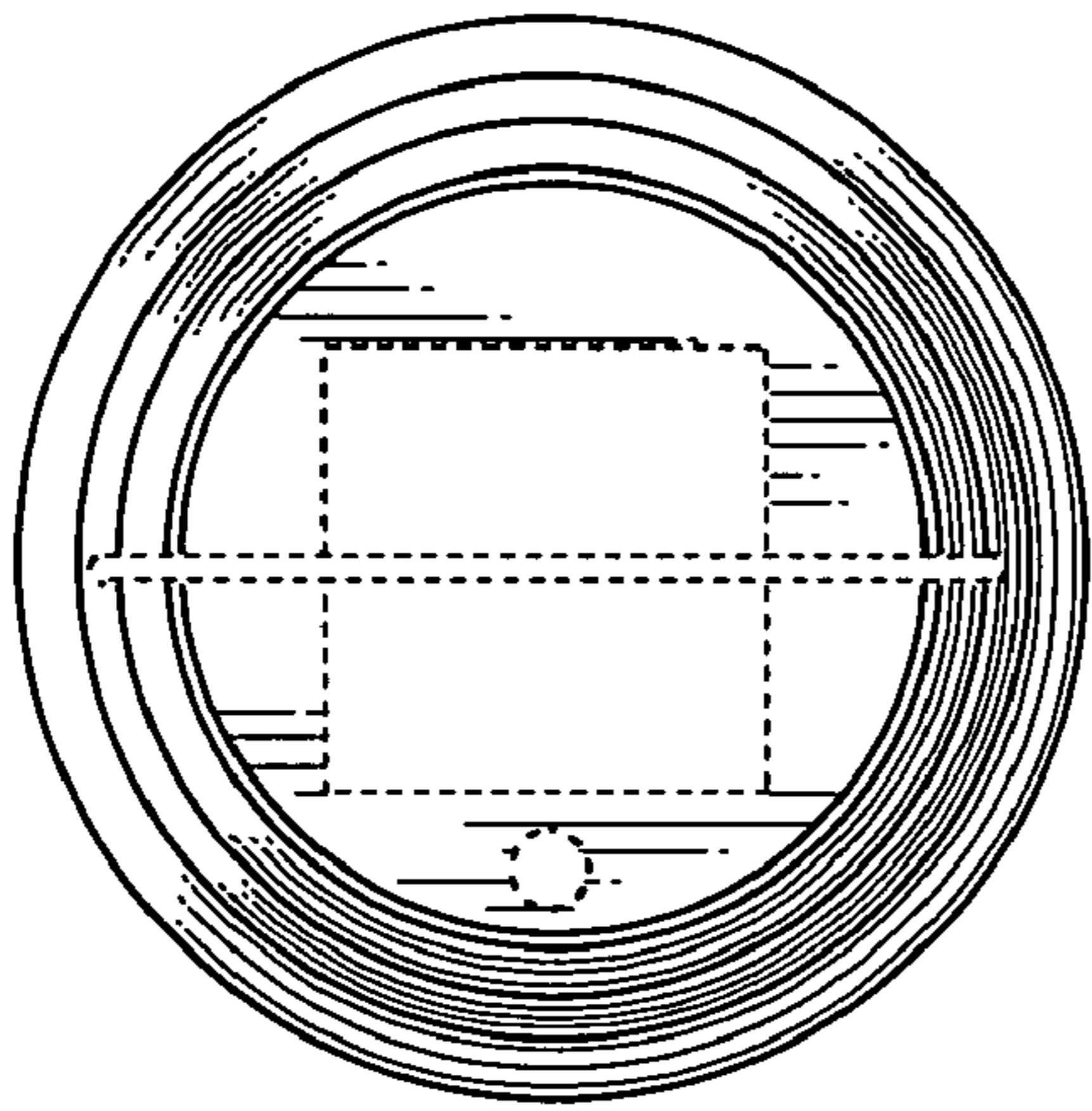


Fig. 3

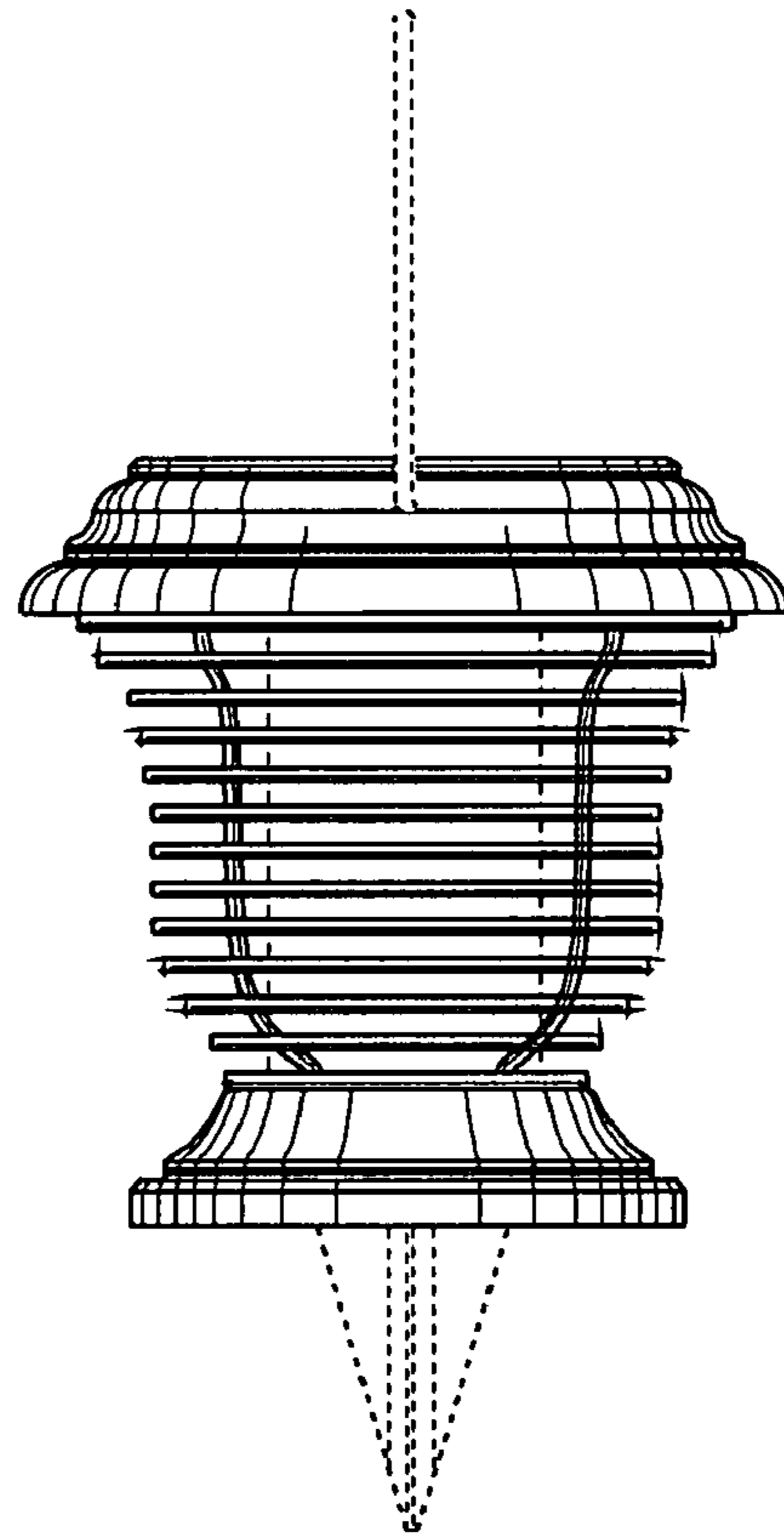


Fig. 4

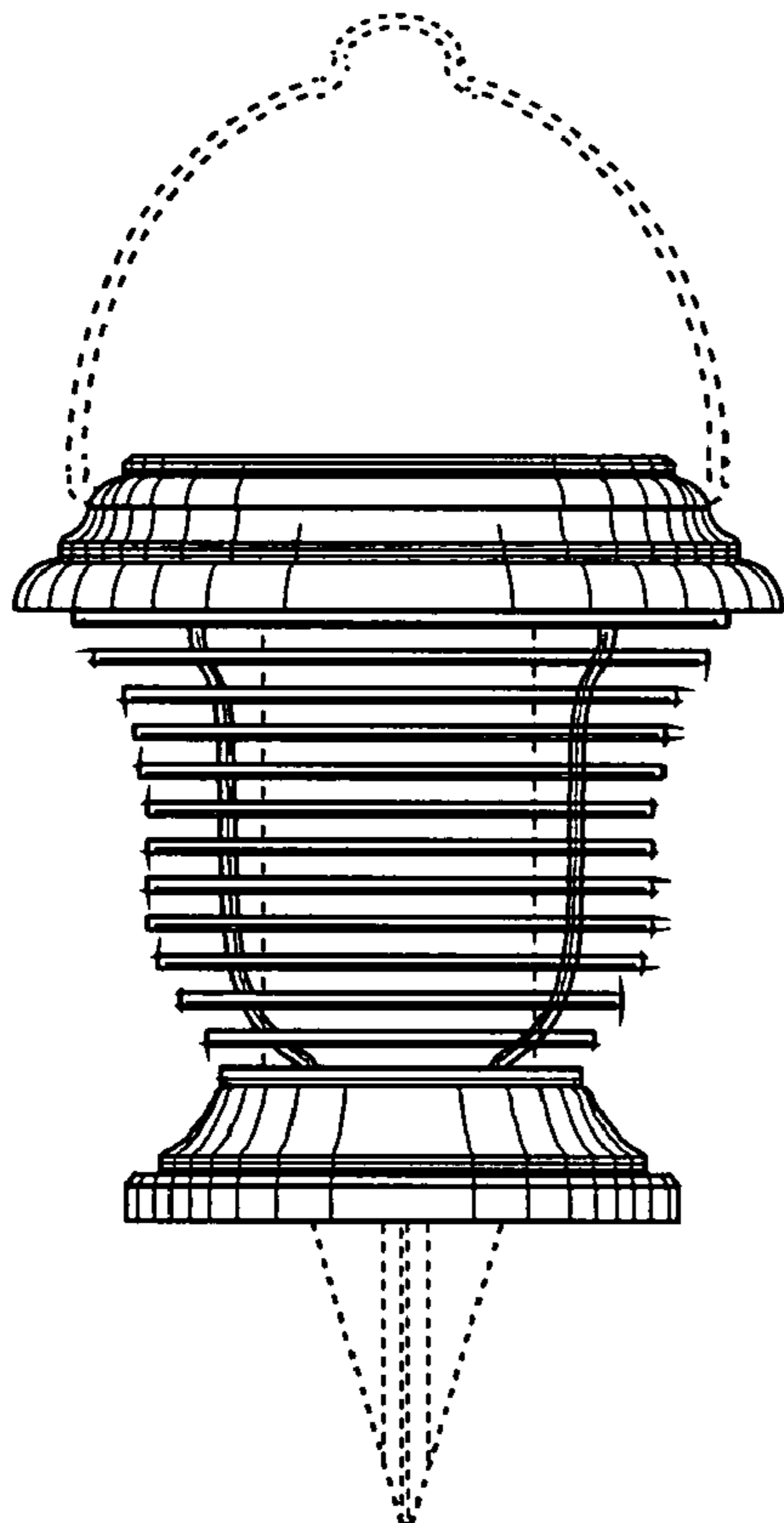


Fig. 2

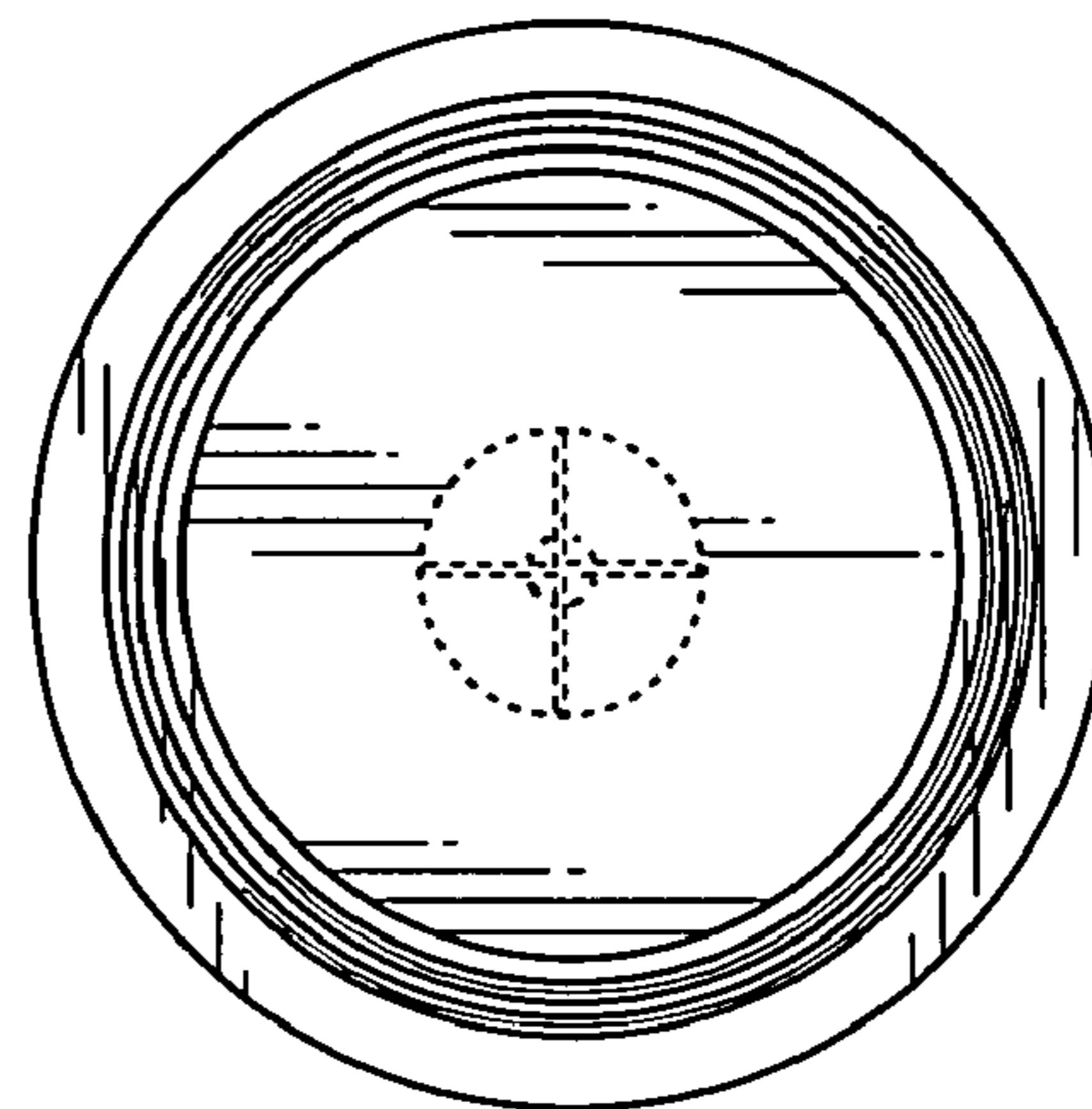


Fig. 5