



US00D557369S

(12) **United States Design Patent**
Robinson

(10) **Patent No.:** **US D557,369 S**

(45) **Date of Patent:** **** Dec. 11, 2007**

(54) **INFLATABLE WATER SLIDE AND POOL**

D540,413 S * 4/2007 McKee et al. D21/818

(75) Inventor: **Dean F. Robinson**, Dighton, MA (US)

* cited by examiner

(73) Assignee: **Aqua-Leisure Industries, Inc.**, Avon, MA (US)

Primary Examiner—Mitchell Siegel
(74) *Attorney, Agent, or Firm*—Lowrie, Lando & Anastasi, LLP

(**) Term: **14 Years**

(57) **CLAIM**

(21) Appl. No.: **29/265,697**

The ornamental design for an inflatable water slide and pool, as shown.

(22) Filed: **Sep. 7, 2006**

DESCRIPTION

(51) **LOC (8) Cl.** **21-03**

FIG. 1 is a perspective view of the inflatable water slide and pool according to our new design, as seen from the front left corner thereof.

(52) **U.S. Cl.** **D21/818**

(58) **Field of Classification Search** D21/815,
D21/818-822, 835; 472/116-117
See application file for complete search history.

FIG. 2 is a perspective view as seen from the front right corner.

FIG. 3 is a perspective view as seen from the rear left corner.

FIG. 4 is a perspective view as seen from the rear right corner.

(56) **References Cited**

U.S. PATENT DOCUMENTS

D328,326 S	*	7/1992	Kuan	D21/818
D340,965 S	*	11/1993	Lee	D21/818
D440,622 S	*	4/2001	Gourchounian	D21/820
D441,416 S	*	5/2001	Gourchounian	D21/820
D460,141 S	*	7/2002	Gourchounian	D21/820
D522,082 S	*	5/2006	Peterson	D21/818

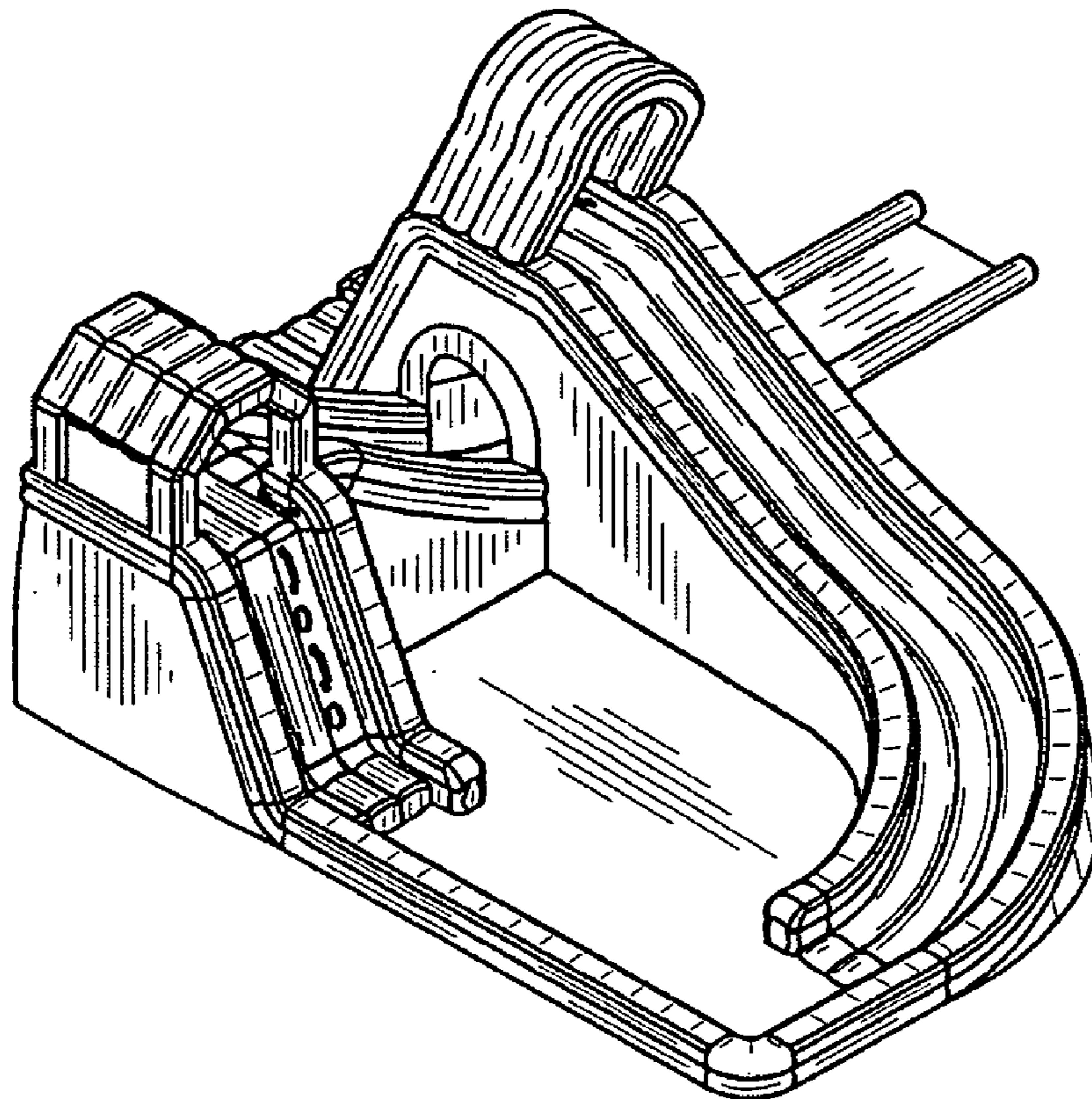
FIG. 5 is a left side elevational view.

FIG. 6 is a front elevational view.

FIG. 7 is a right side elevational view; and,

FIG. 8 is a rear elevational view.

1 Claim, 3 Drawing Sheets



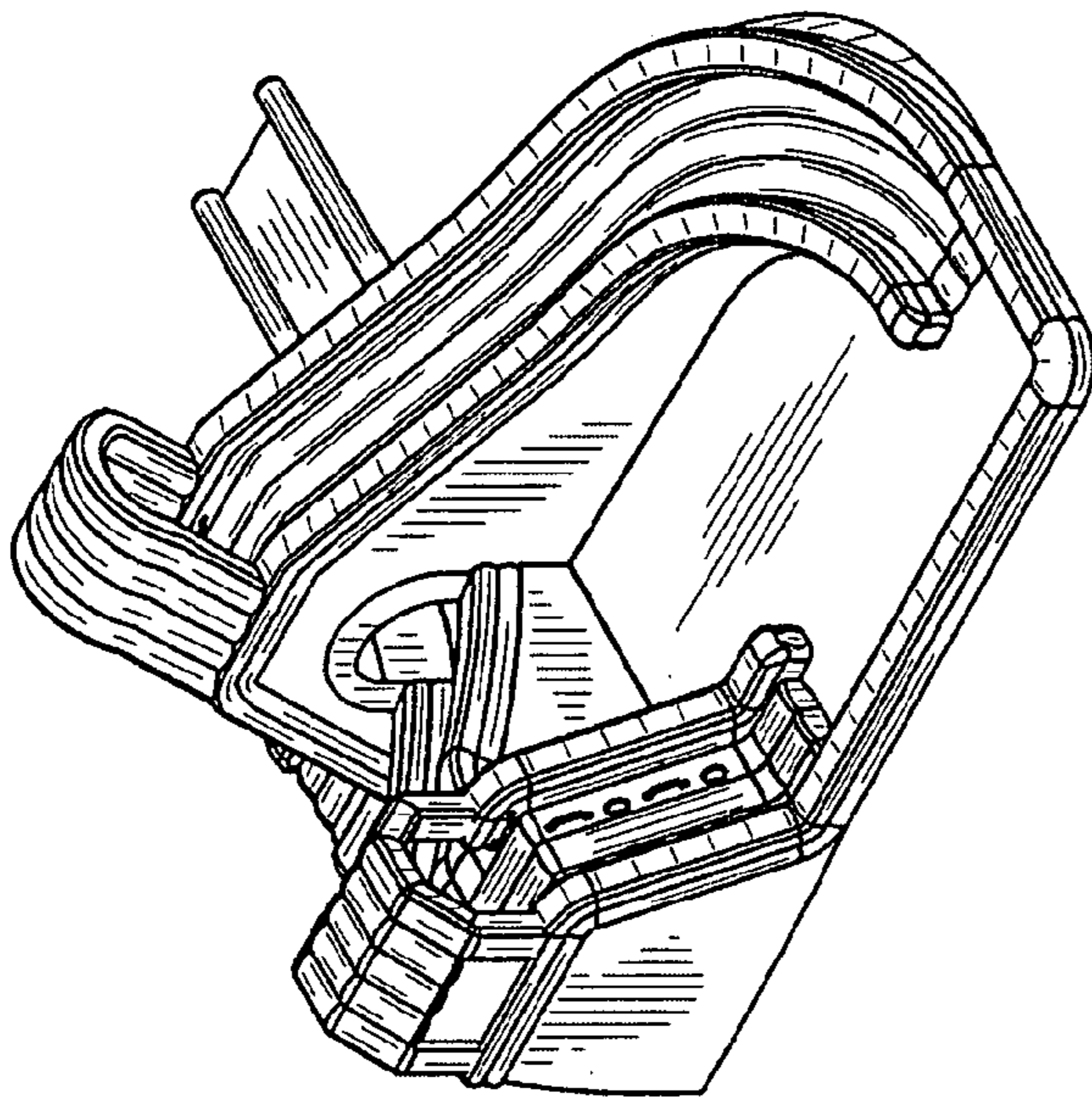


FIG. 1

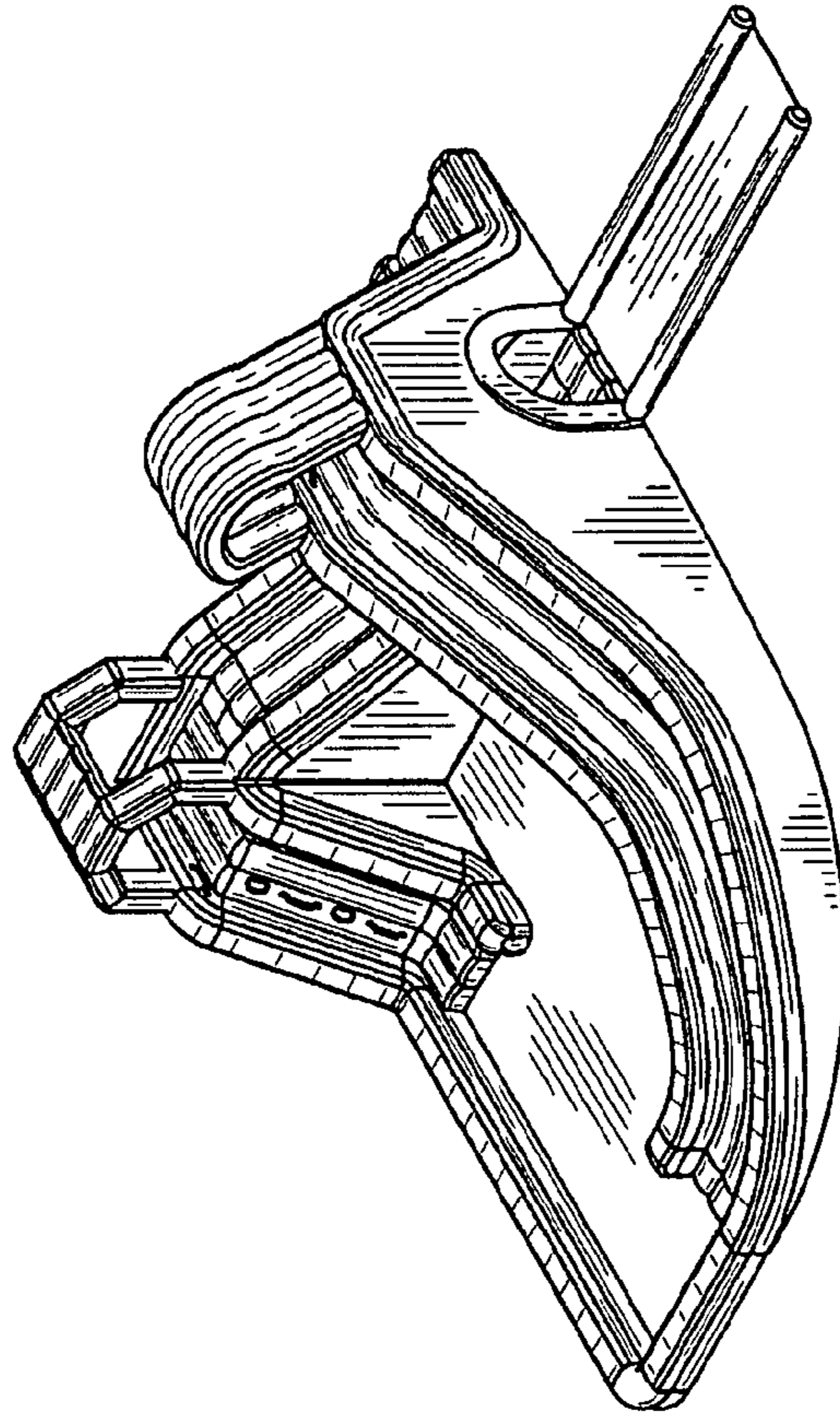


FIG. 2

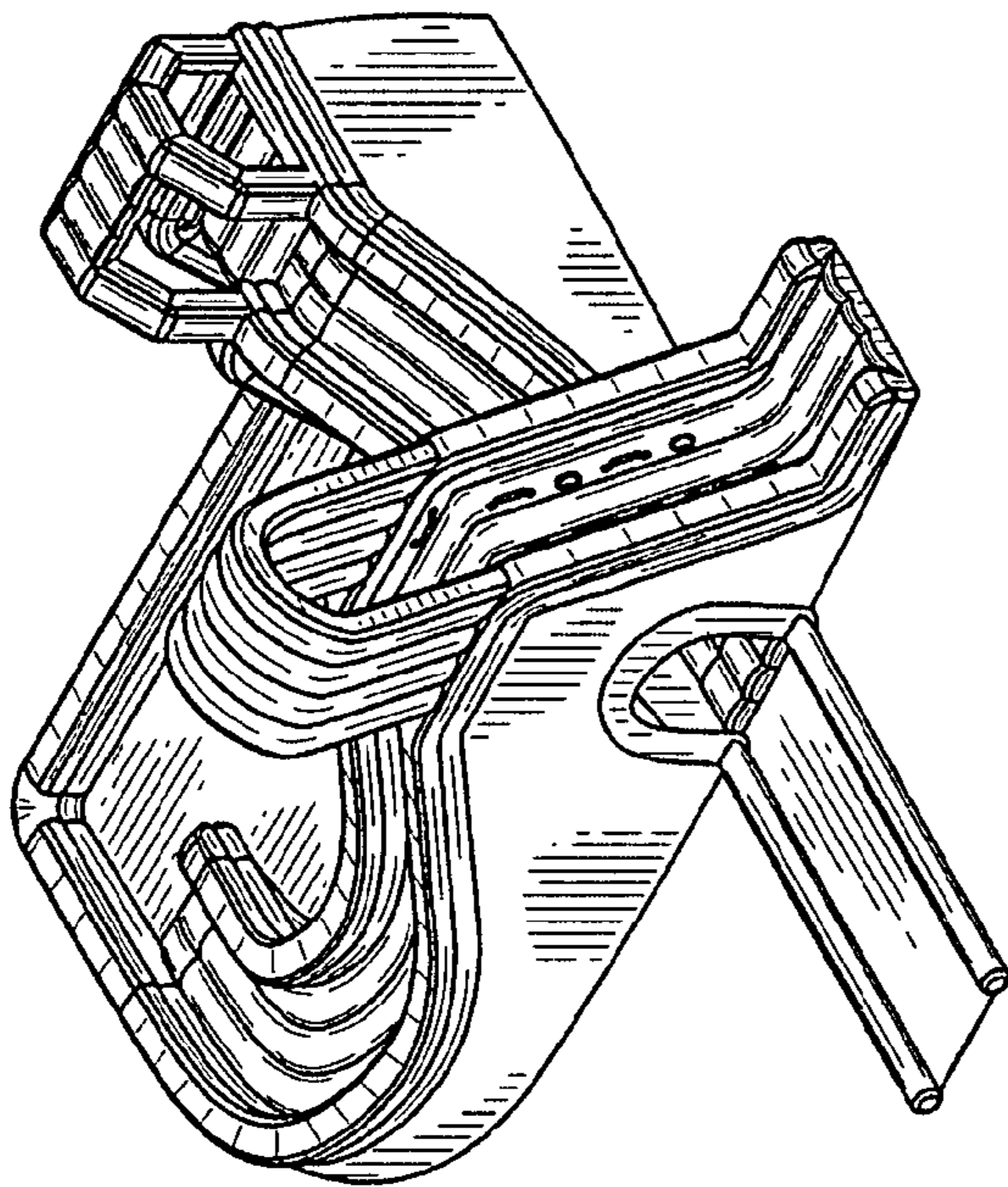


FIG. 3

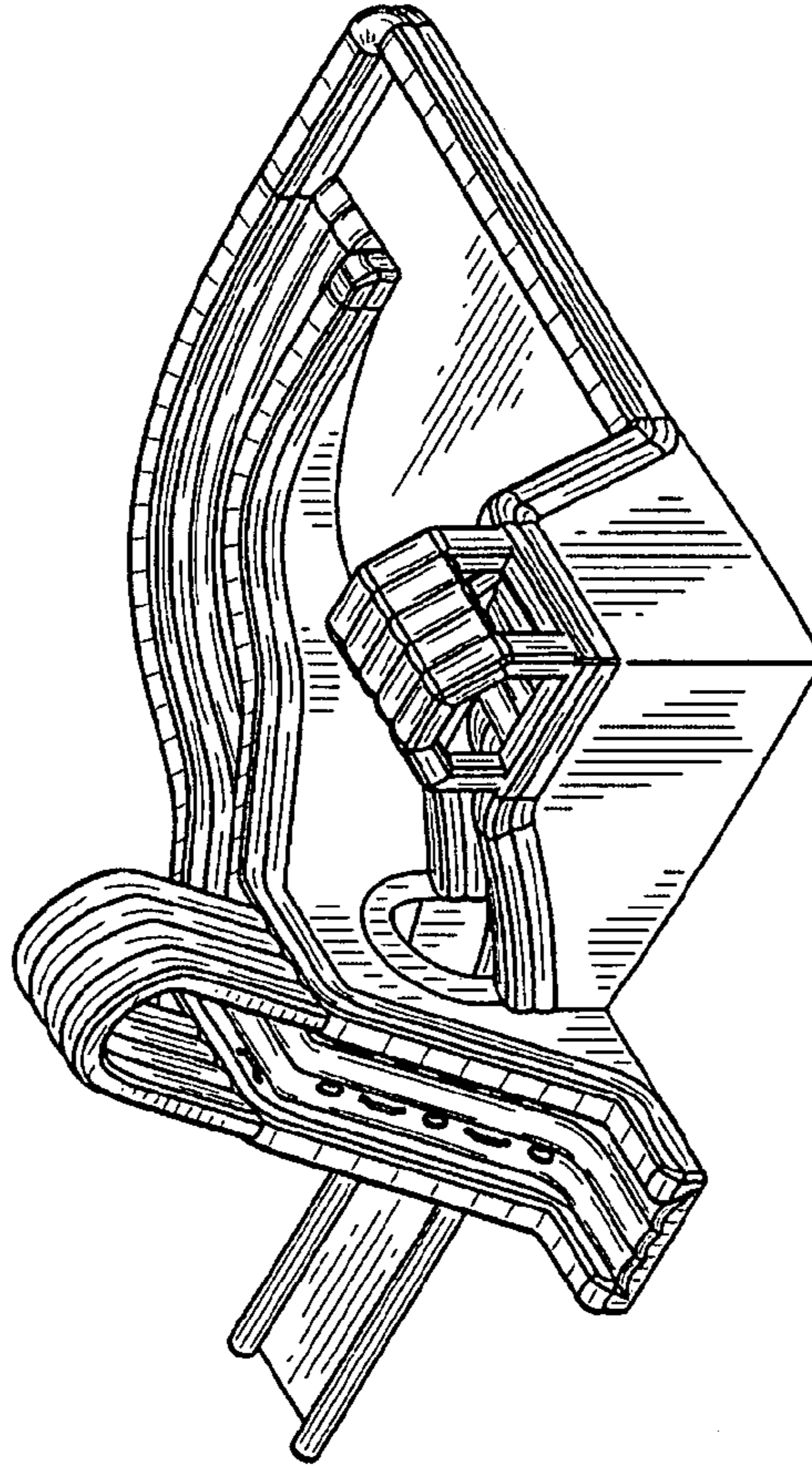


FIG. 4

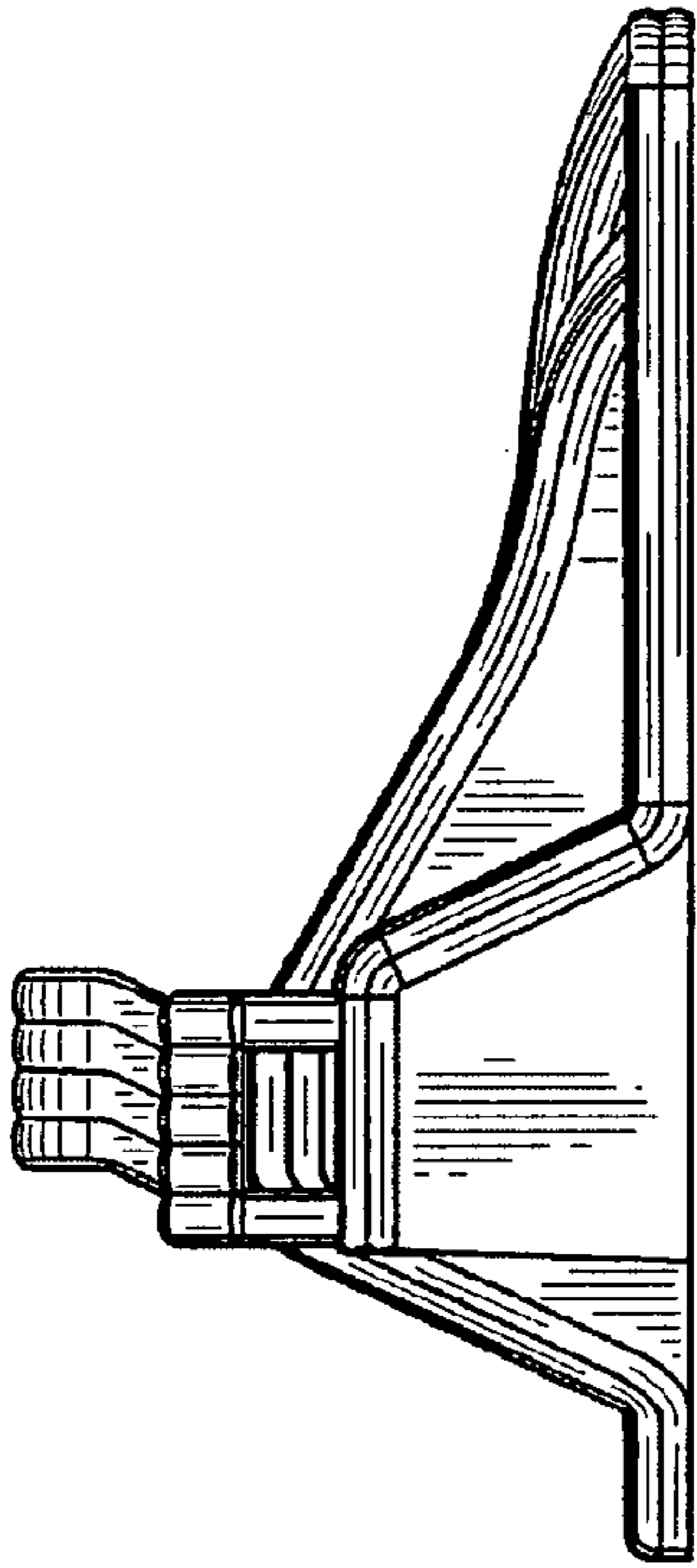


FIG. 5

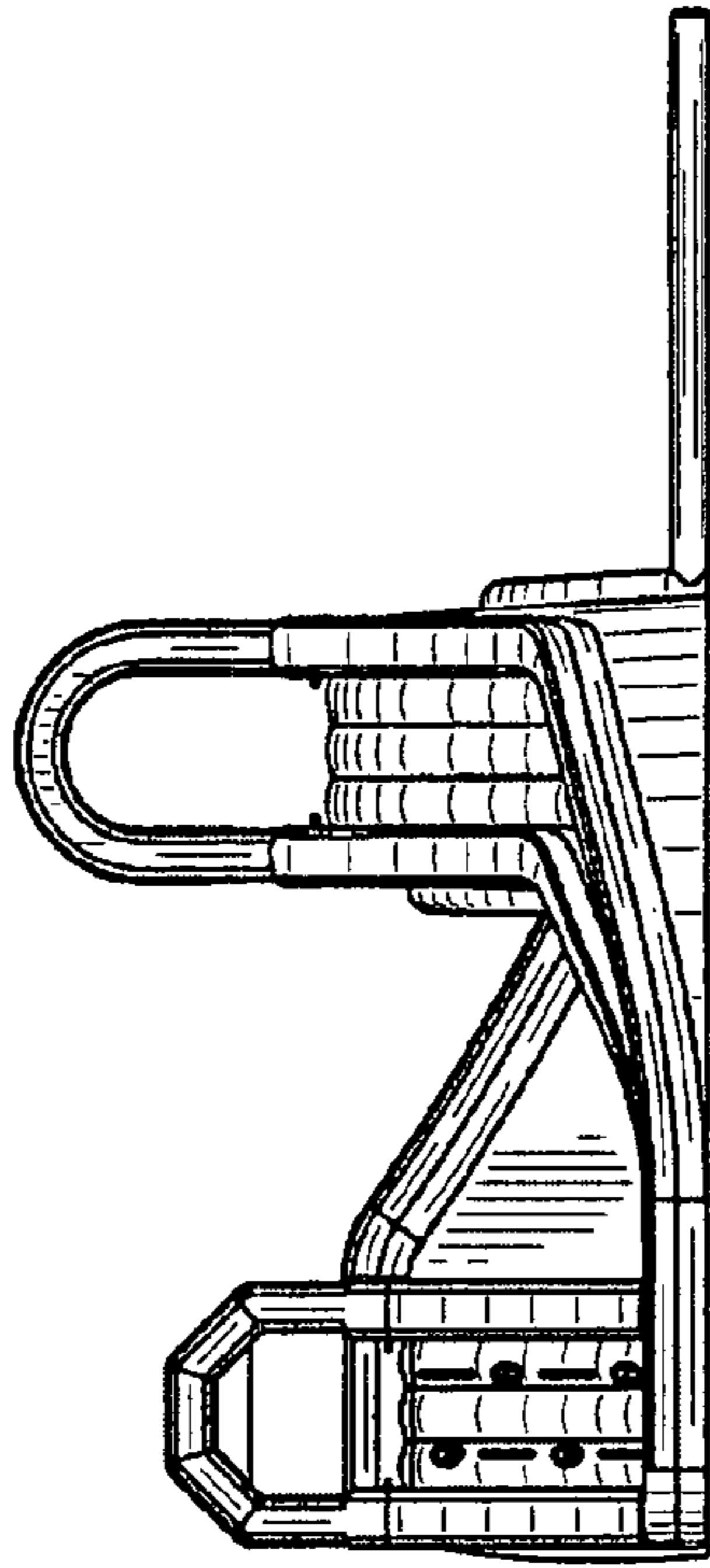


FIG. 6

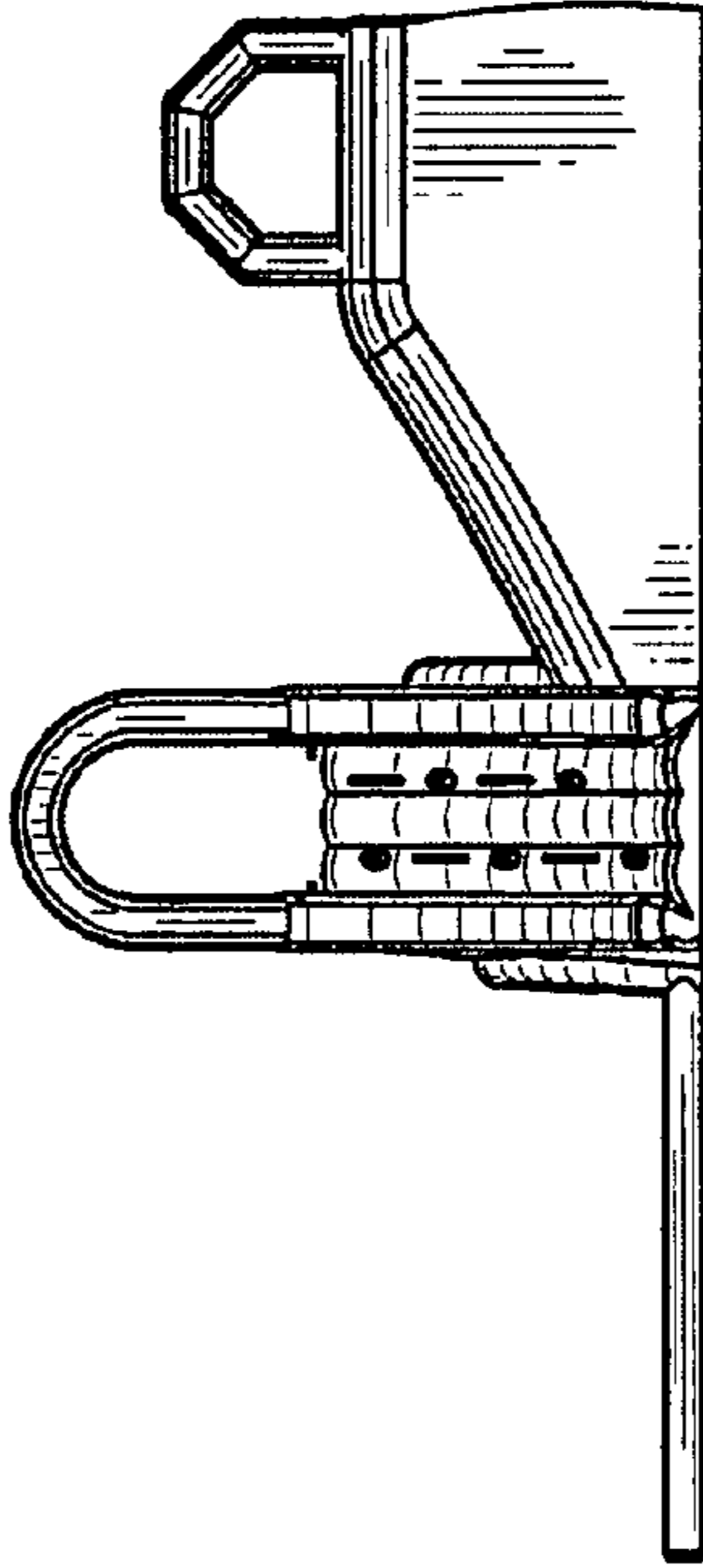


FIG. 8

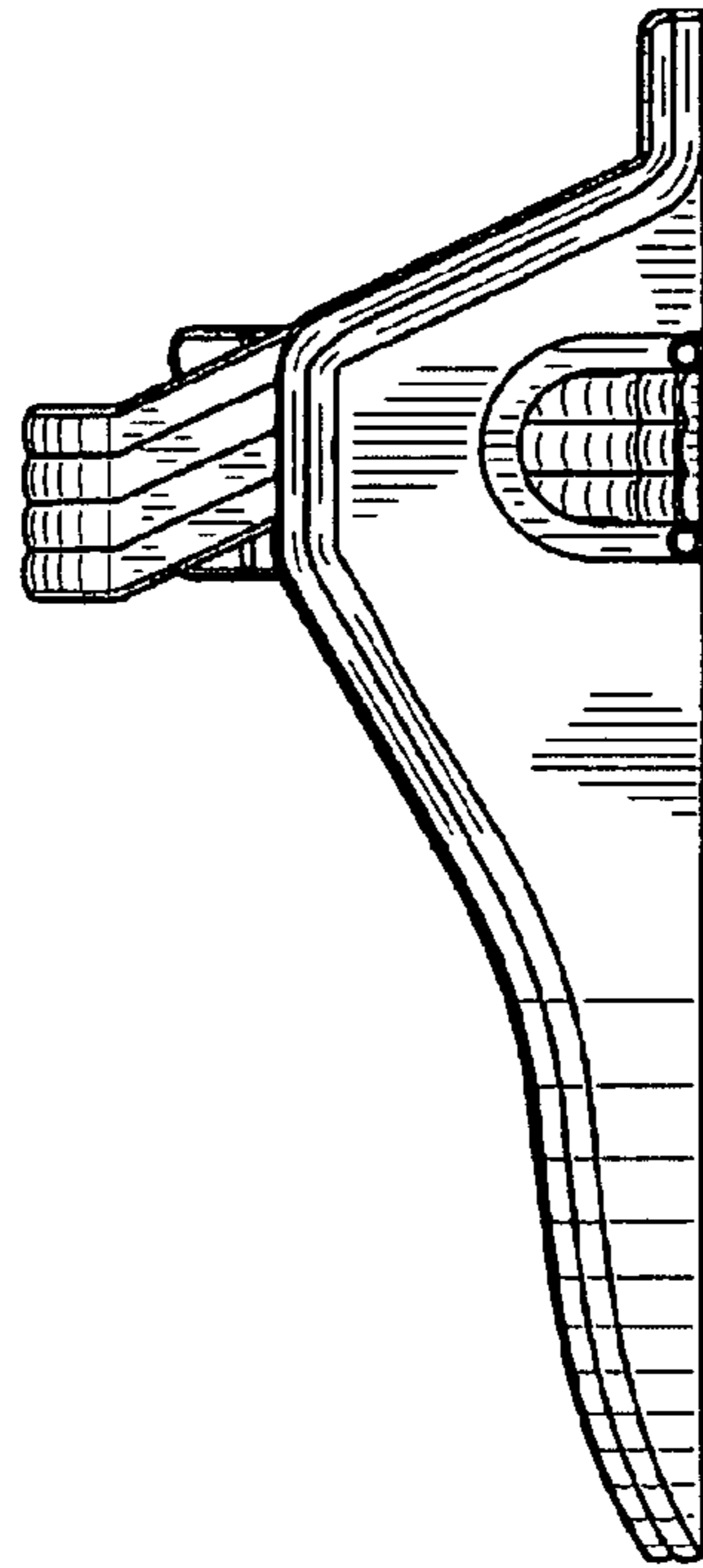


FIG. 7