

US00D557366S

(12) **United States Design Patent**  
**Witt et al.**

(10) **Patent No.:** **US D557,366 S**

(45) **Date of Patent:** **\*\* Dec. 11, 2007**

(54) **GOLF SWING TRAINER**

(75) Inventors: **Mark C. Witt**, Colleyville, TX (US);  
**Landry Witt**, Colleyville, TX (US)

(73) Assignee: **PFST, Inc.**, Southlake, TX (US)

(\*\*) Term: **14 Years**

(21) Appl. No.: **29/265,030**

(22) Filed: **Aug. 23, 2006**

(51) **LOC (8) Cl.** ..... **21-02**

(52) **U.S. Cl.** ..... **D21/791**

(58) **Field of Classification Search** ..... D21/789,  
D21/791, 792; 473/278, 279

See application file for complete search history.

(56) **References Cited**

U.S. PATENT DOCUMENTS

4,346,896	A	8/1982	Russell et al.	
4,407,079	A	10/1983	Chiroff	
D353,433	S *	12/1994	Erdoes et al. ....	D21/792
5,443,267	A	8/1995	Thorson	
5,445,384	A	8/1995	Yancey	
5,470,074	A	11/1995	Hotchkiss et al.	
5,487,546	A	1/1996	Yasuda	
5,518,245	A	5/1996	Nelson	
5,527,042	A	6/1996	Spriddle	
5,558,334	A	9/1996	Roche	
5,683,306	A	11/1997	Tait et al.	
5,720,670	A	2/1998	Oxley et al.	
5,944,615	A	8/1999	Lee	
6,001,026	A	12/1999	Breneman	
6,514,152	B1	2/2003	Huang et al.	
6,543,160	B2	4/2003	Price	
6,623,373	B2	9/2003	Carlton et al.	
6,663,498	B2	12/2003	Stipan	
6,723,004	B1	4/2004	Florian	
D491,246	S	6/2004	Walsh et al.	
2002/0032072	A1	3/2002	Sladek	
2002/0111225	A1	8/2002	Sobol	
2002/0128084	A1	9/2002	Lee et al.	

2004/0082399	A1	4/2004	Shioda
2004/0142759	A1	7/2004	Gianfagna et al.
2005/0090325	A1	4/2005	Jong
2005/0113182	A1	5/2005	Kim

FOREIGN PATENT DOCUMENTS

GB	2 234 911	2/1991
GB	2 364 504	1/2002
JP	05-253325	10/1993
JP	11099233	4/1999
JP	2001-145717	5/2001
WO	WO-02/081038	10/2002
WO	WO-03/059469	7/2003
WO	WO-2005/002686	1/2005

\* cited by examiner

*Primary Examiner*—Mitchell Siegel

(74) *Attorney, Agent, or Firm*—Gardere Wynne Sewell LLP

(57) **CLAIM**

The ornamental design for golf swing trainer, as shown and described.

**DESCRIPTION**

FIG. 1 is a perspective view of the golf swing trainer in accordance with our design;

FIG. 2 is a front elevation view of the golf swing trainer in accordance with our design;

FIG. 3 is a left side elevation view of the golf swing trainer in accordance with our design;

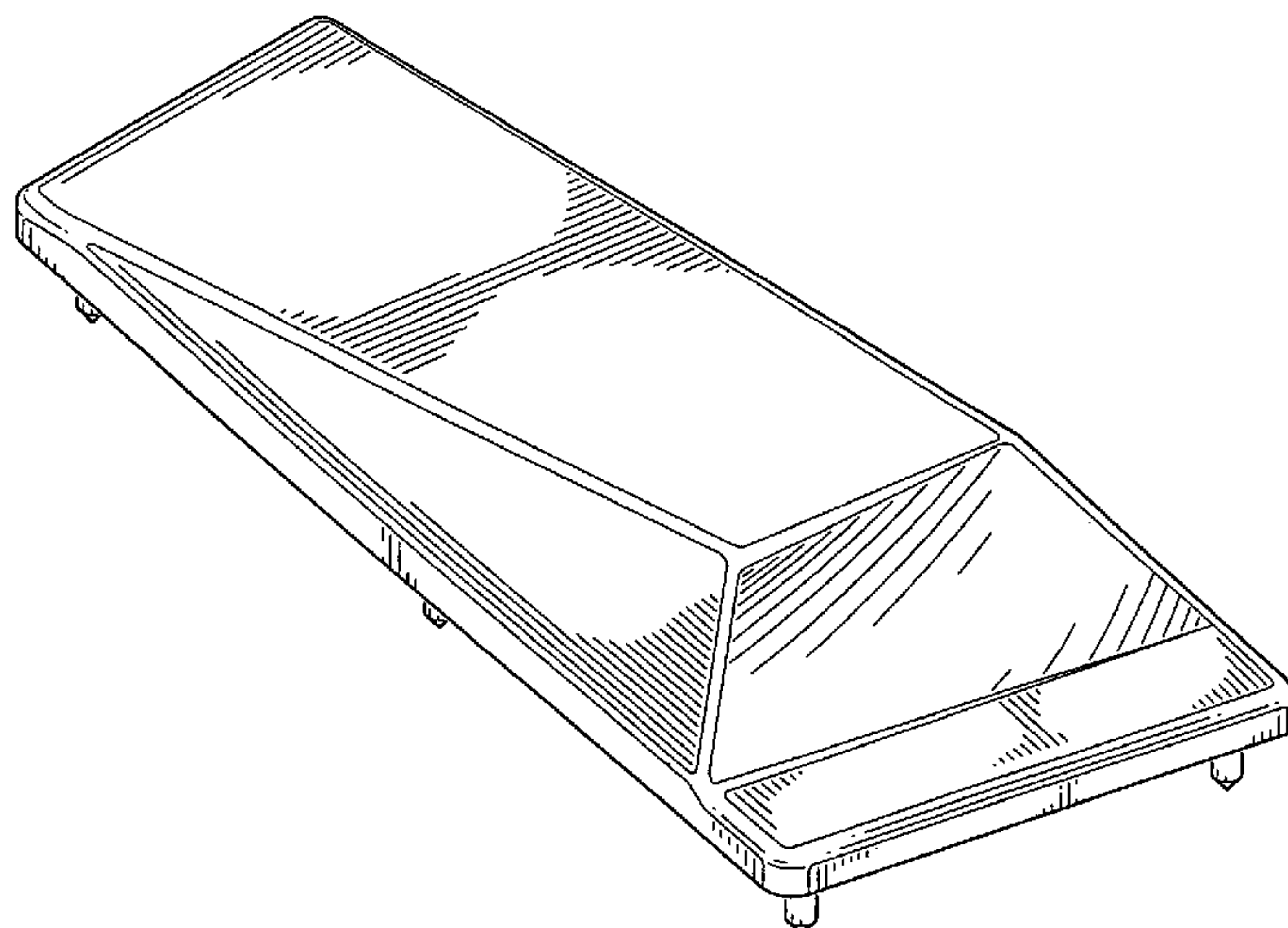
FIG. 4. is a right side elevation view of the golf swing trainer in accordance with our design;

FIG. 5. is a rear elevation view of the golf swing trainer in accordance with our design;

FIG. 6. is a top plan view of the golf swing trainer in accordance with our design; and,

FIG. 7. is a bottom plan view of the golf swing trainer in accordance with our design.

**1 Claim, 3 Drawing Sheets**



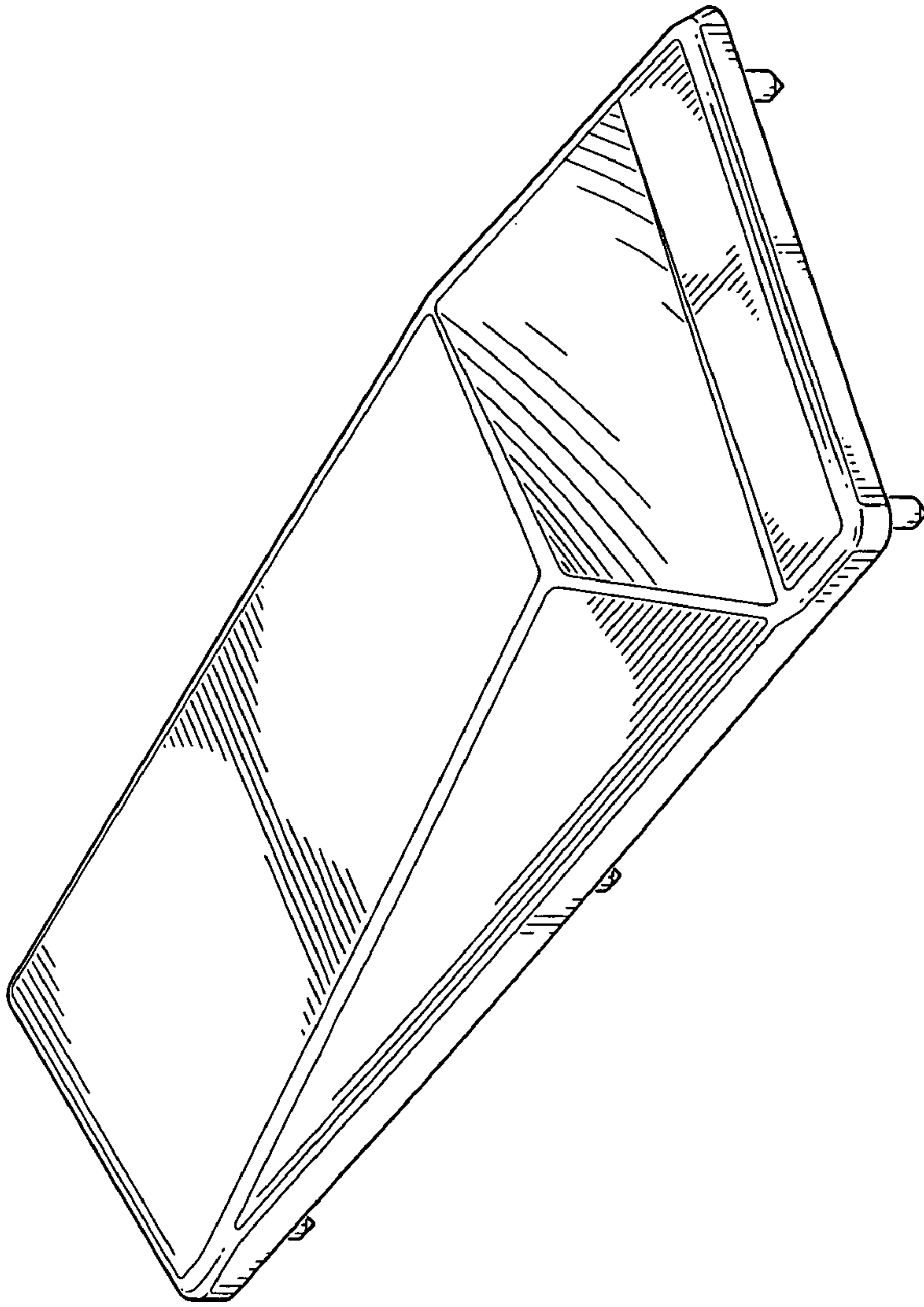


FIG. 1

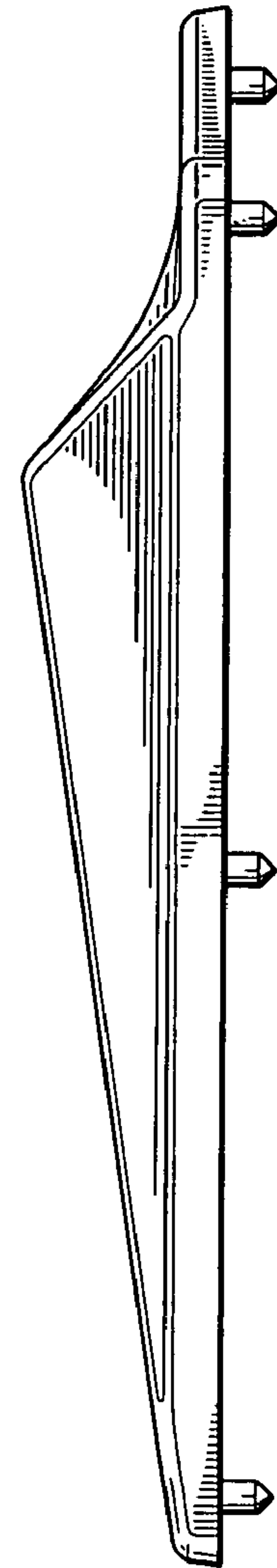
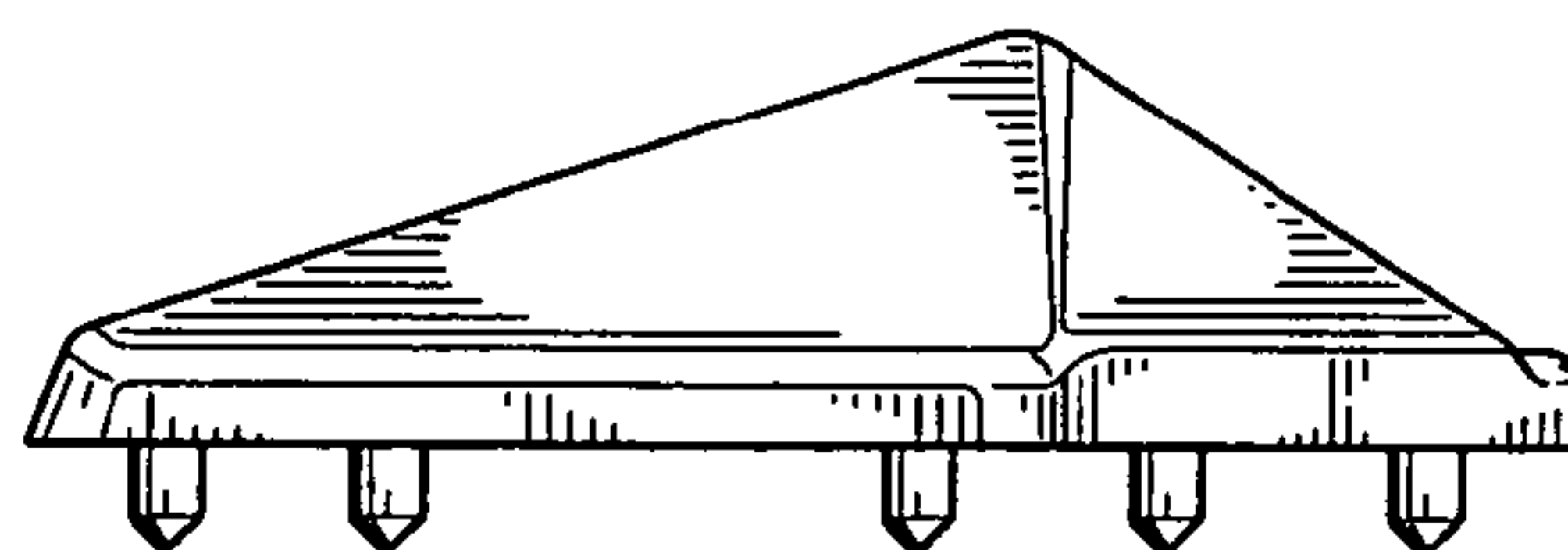
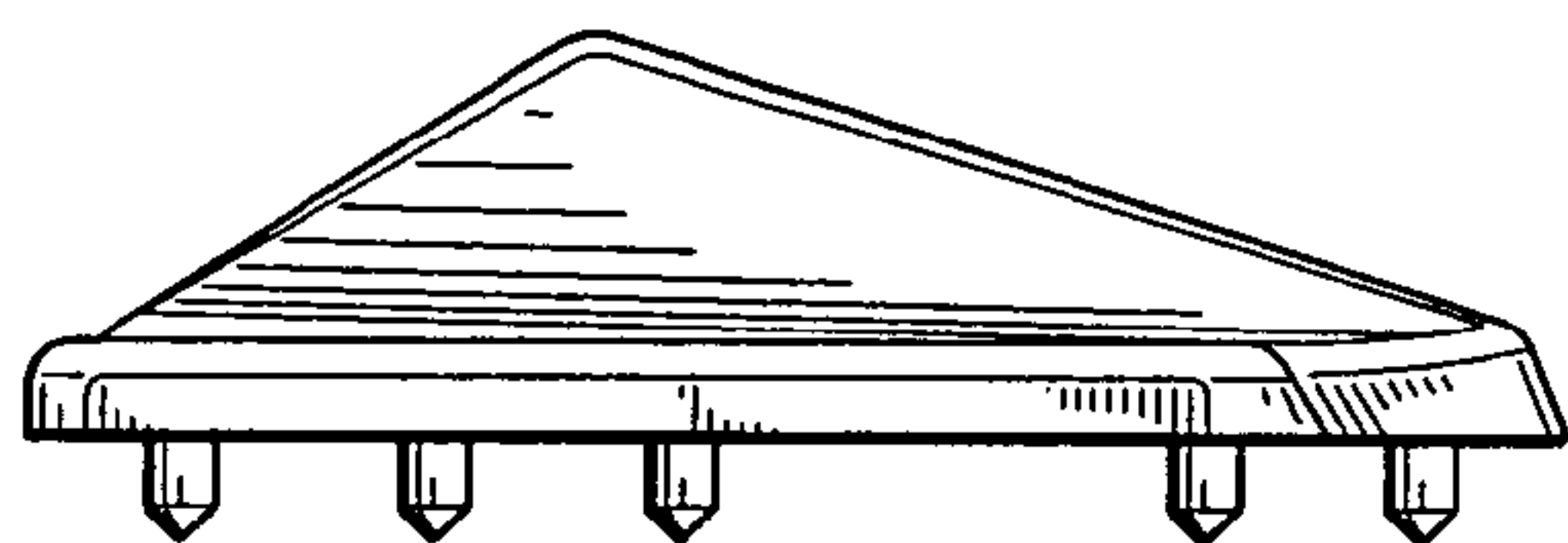


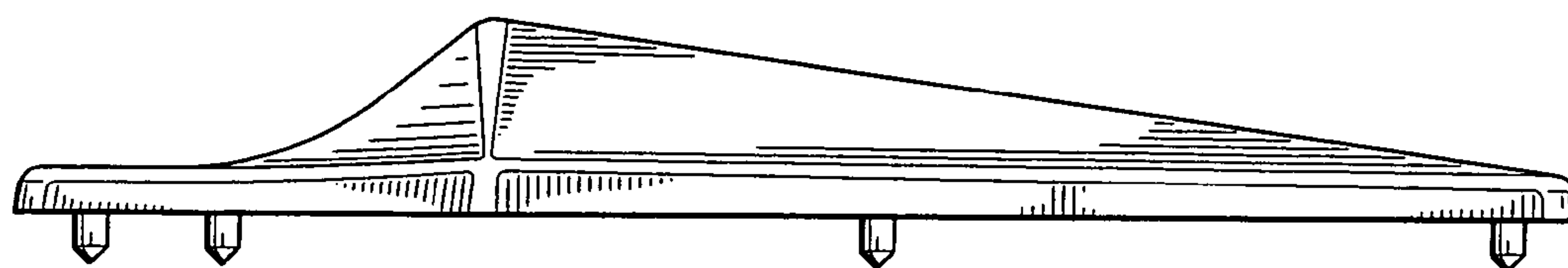
FIG. 2



*FIG. 3*



*FIG. 4*



*FIG. 5*

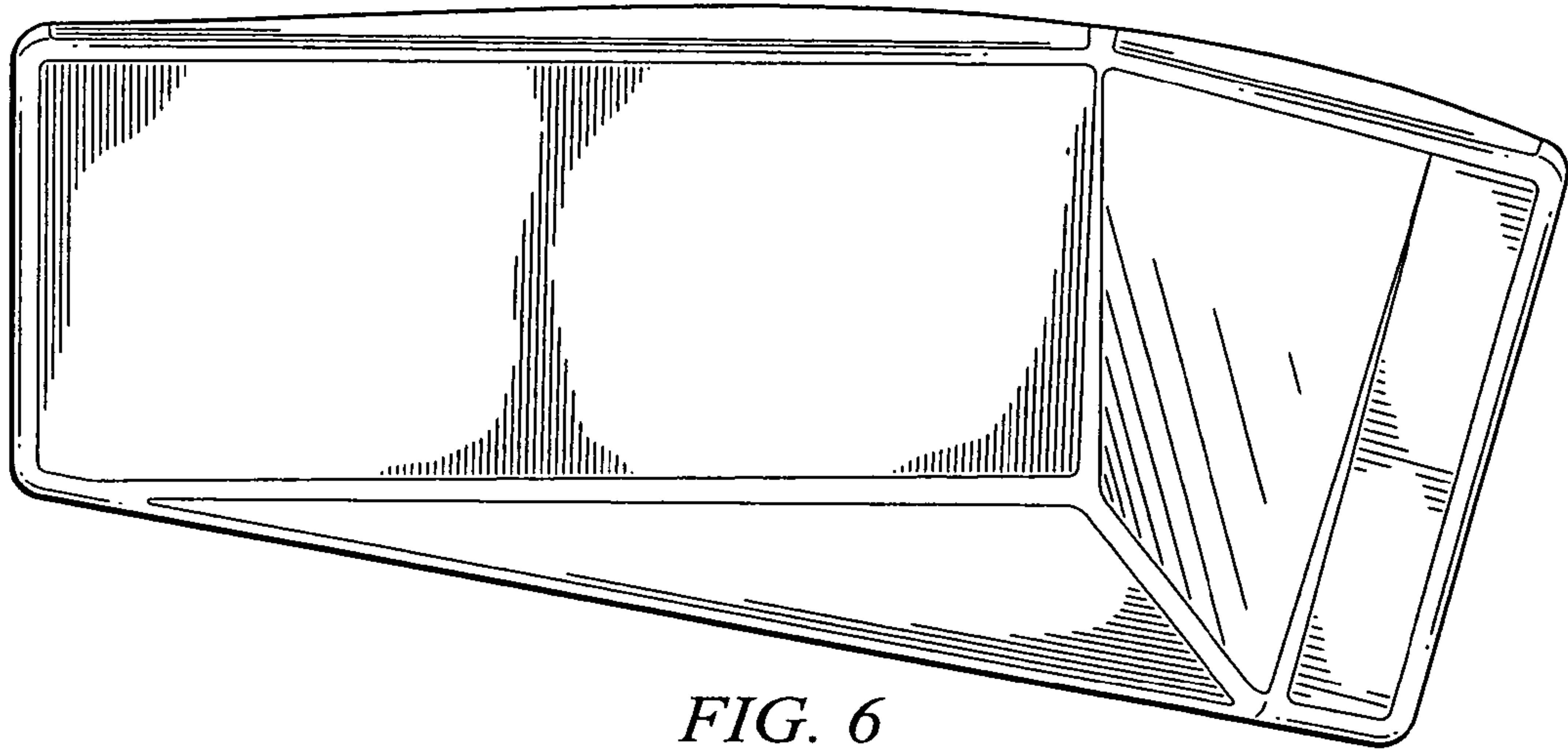


FIG. 6

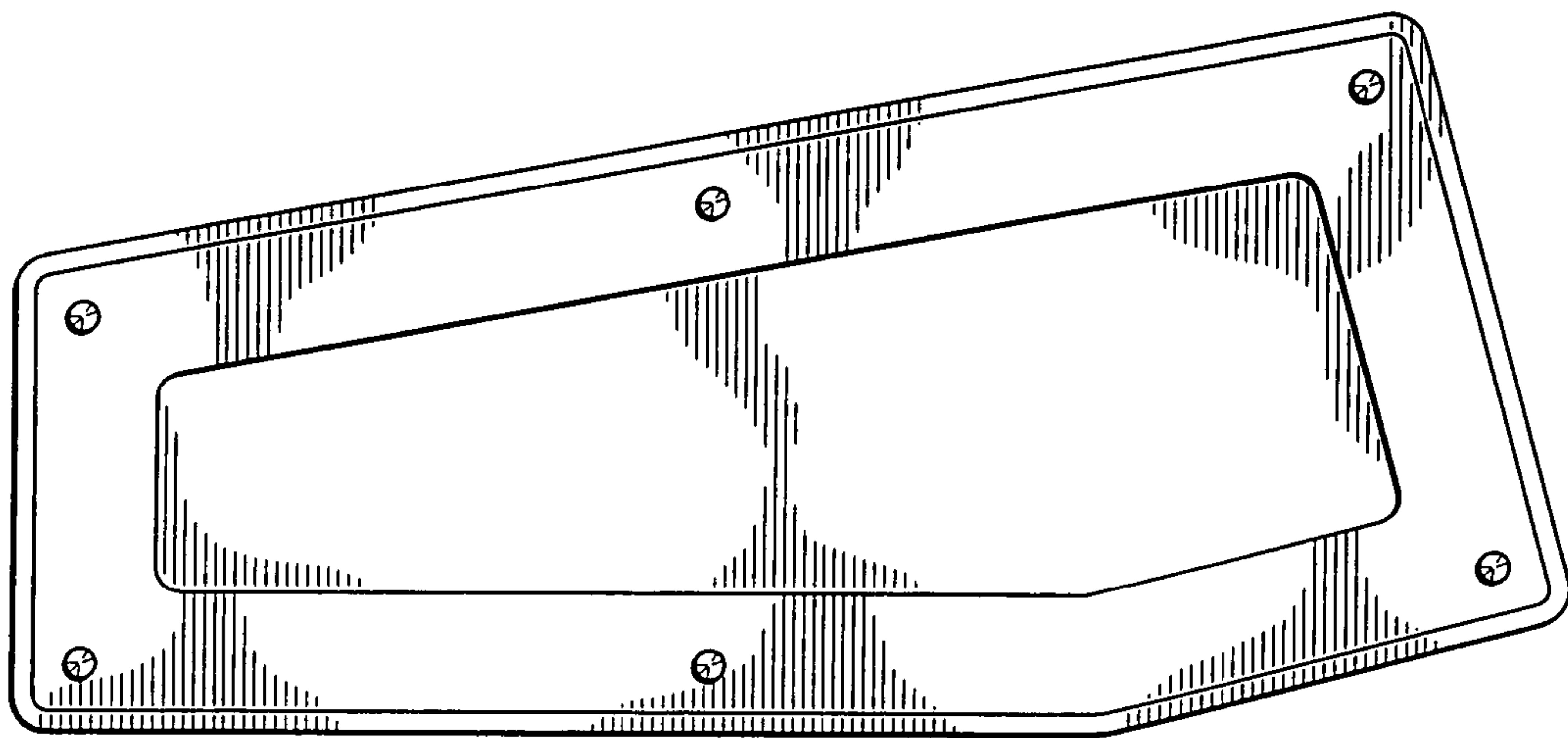


FIG. 7