



US00D557361S

(12) **United States Design Patent**  
**Rollinson**

(10) **Patent No.:** **US D557,361 S**

(45) **Date of Patent:** **\*\* Dec. 11, 2007**

- (54) **PUTTER HEAD**
- (75) Inventor: **Augustin W. Rollinson**, San Diego, CA (US)
- (73) Assignee: **Callaway Golf Company**, Carlsbad, CA (US)
- (\*\*) Term: **14 Years**
- (21) Appl. No.: **29/249,753**
- (22) Filed: **Oct. 20, 2006**
- (51) **LOC (8) Cl.** ..... **21-02**
- (52) **U.S. Cl.** ..... **D21/743**
- (58) **Field of Classification Search** ..... D21/736-746, D21/759; 473/324-331, 251-256, 340, 341  
See application file for complete search history.

2,838,312 A	6/1958	Drake
2,957,696 A	10/1960	Warpotas
3,021,141 A	2/1962	Polsky et al.
3,064,975 A	11/1962	Smith
D200,585 S	3/1965	Cefaly
3,194,564 A	7/1965	Swan
3,220,733 A	11/1965	Saleeby
3,300,241 A	1/1967	Eberwein et al.
3,310,879 A	3/1967	Brzezinski et al.
3,328,032 A	6/1967	Griswold
3,333,854 A	8/1967	White
3,343,839 A	9/1967	Borah
D209,294 S	11/1967	Hitt
3,357,705 A	12/1967	Blanchard
3,408,074 A	10/1968	Antonious
3,411,789 A	11/1968	Wariner
D217,487 S	5/1970	Blake
6,512,262 B2	5/1970	Smyk et al.
3,578,332 A	5/1971	Caldwell
3,632,112 A	1/1972	Jacobs
3,708,172 A	1/1973	Rango

(56) **References Cited**

**U.S. PATENT DOCUMENTS**

1,485,272 A	2/1924	Kinsman
1,562,951 A	2/1925	Beaumont
1,546,612 A	7/1925	Barnes
1,569,295 A	1/1926	Munson
1,652,404 A	12/1927	Graveure
1,654,916 A	1/1928	Boyce
1,666,174 A	4/1928	Holland
1,703,199 A	2/1929	McClure
D85,510 S	11/1931	Beach
D90,924 S	10/1933	Replogle
1,960,110 A	5/1934	Iles
2,002,631 A	5/1935	Fiondella
D95,819 S	6/1935	Gourlay
2,056,335 A	10/1936	Wettlaufer
2,057,821 A	10/1936	Costello
D104,495 S	5/1937	Gallagher
2,156,025 A	4/1939	Paul
2,447,967 A	8/1948	Stone
2,478,468 A	8/1949	Drake
2,708,579 A	5/1955	Hugman
D179,002 S	10/1956	Hoffmeister
D179,246 S	11/1956	Gillon
2,781,197 A	2/1957	Wiley

(Continued)

*Primary Examiner*—Mitchell Siegel  
(74) *Attorney, Agent, or Firm*—Michael A. Catania; Elaine H. Lo

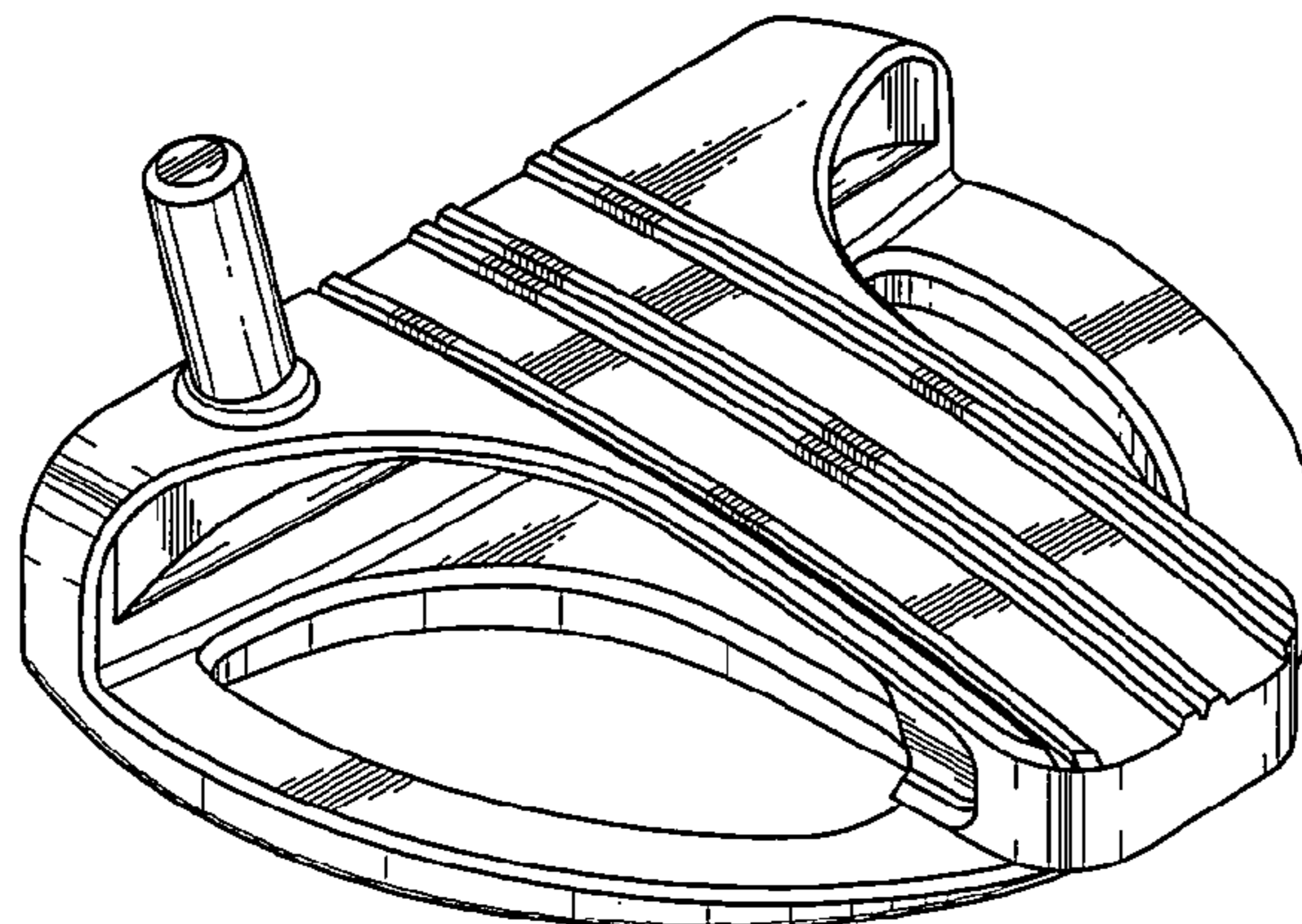
(57) **CLAIM**

The ornamental design for a putter head, as shown and described.

**DESCRIPTION**

FIG. 1 is a top perspective view of a putter head as claimed herein;  
FIG. 2 is a front elevational view thereof;  
FIG. 3 is a bottom plan view thereof;  
FIG. 4 is a top plan view thereof;  
FIG. 5 is a rear elevational view thereof  
FIG. 6 is a heel elevational view thereof; and,  
FIG. 7 is a toe elevational view thereof.

**1 Claim, 2 Drawing Sheets**



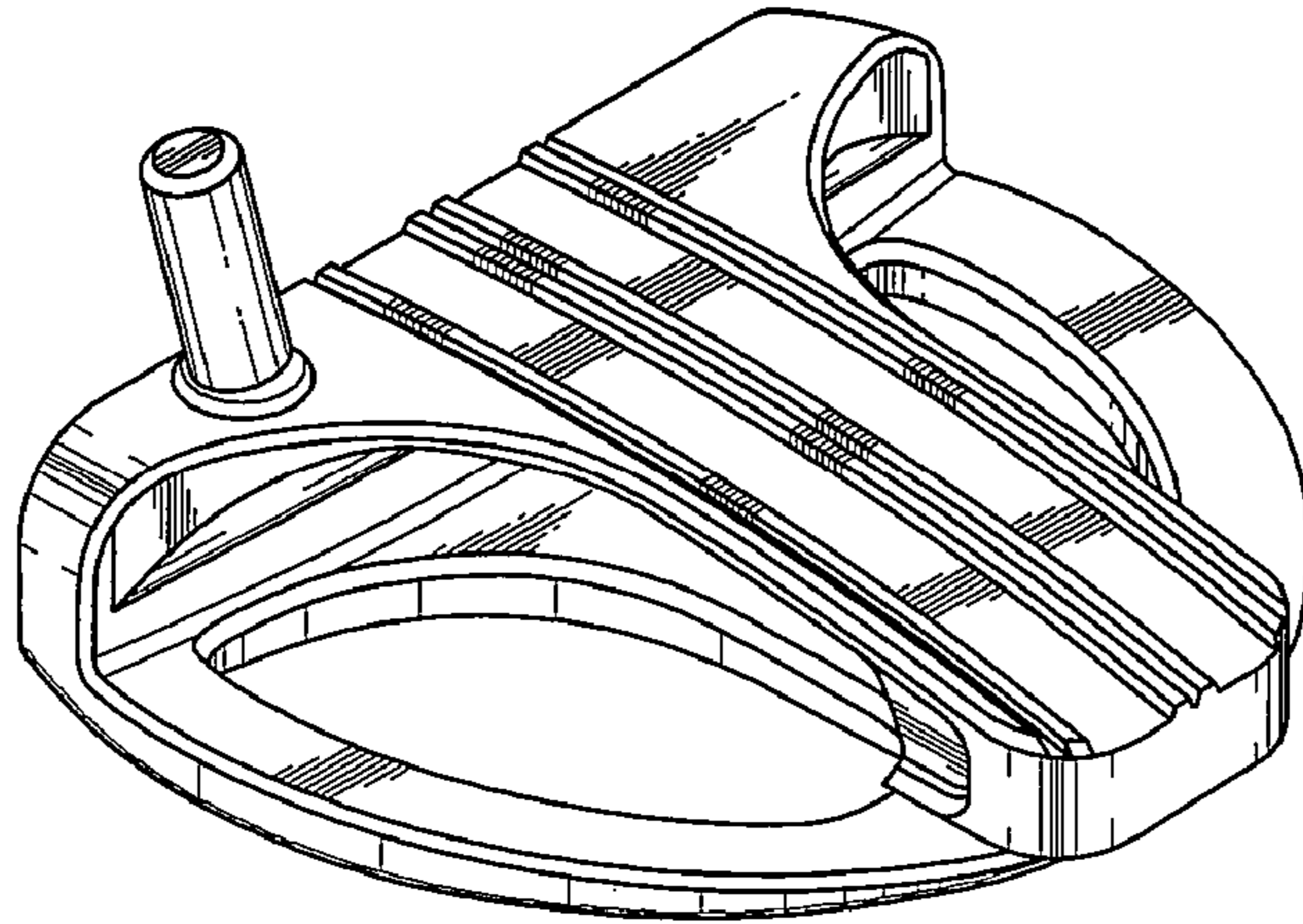
# US D557,361 S

Page 2

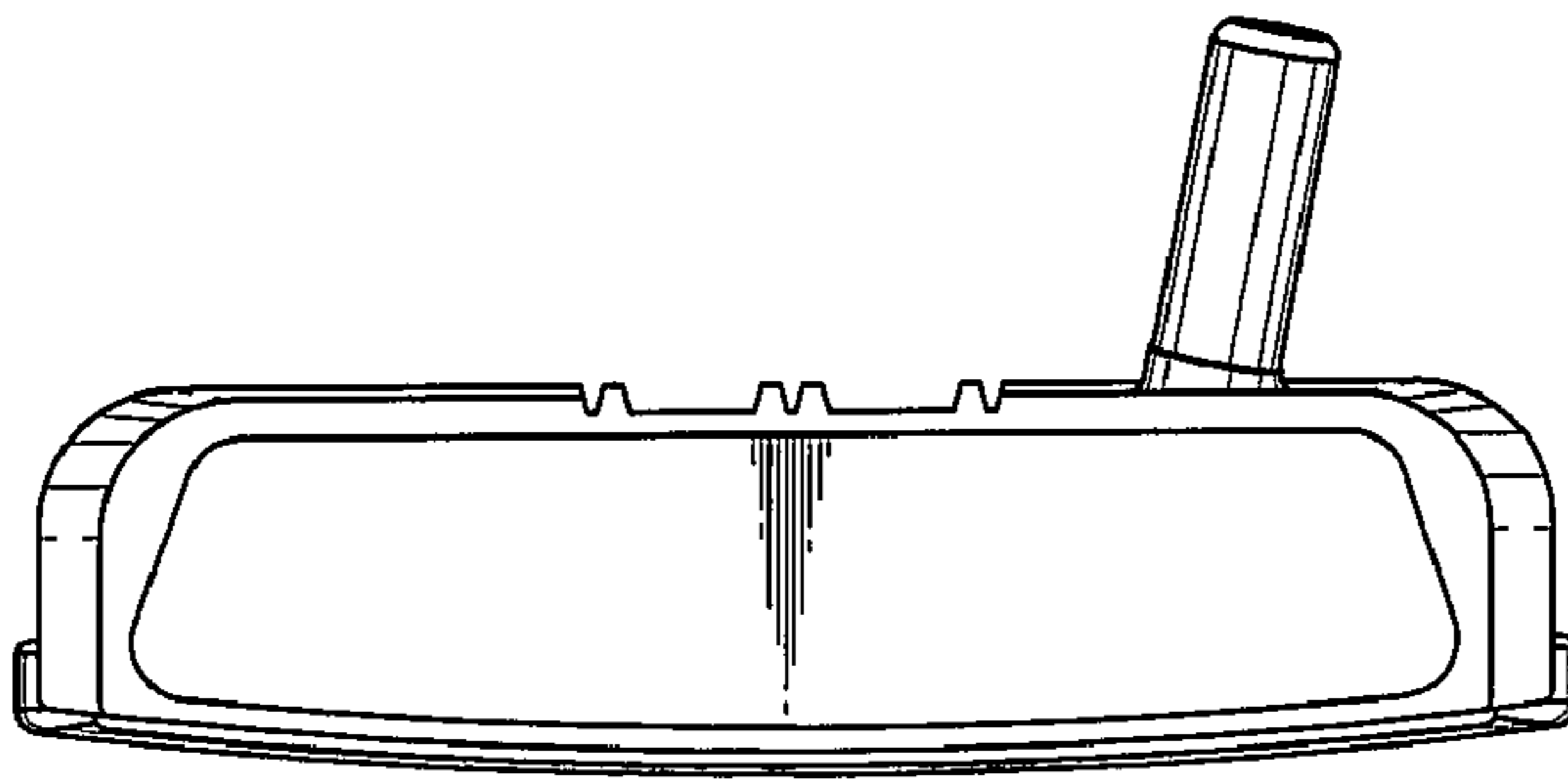
## U.S. PATENT DOCUMENTS

3,779,398 A	12/1973	Hunter	D395,692 S	6/1998	Butler	
D230,293 S	2/1974	Gall	D422,328 S	4/2000	Lannoch	
D230,294 S	2/1974	Gall	D437,017 S	1/2001	Ford	
D230,615 S	3/1974	Delgadillo	D448,437 S	9/2001	Colucci	
3,806,129 A	4/1974	Burrows	D458,656 S	6/2002	Tang et al.	
3,841,640 A	10/1974	Gaulocher	D461,514 S	8/2002	Tang et al.	
3,841,641 A	10/1974	Bennett	D461,515 S	8/2002	Tang et al.	
D233,616 S	11/1974	Verzillo	D461,860 S	8/2002	Tang	
3,884,477 A	5/1975	Bianco	D461,861 S	8/2002	Tang et al.	
3,918,720 A	11/1975	Gordos	D463,002 S	9/2002	Tang et al.	
D241,563 S	9/1976	McCord	D467,985 S	12/2002	Tang et al.	
D245,437 S	8/1977	Thiel	D470,904 S	2/2003	Tang et al.	
D248,050 S	5/1978	Muehl	D477,041 S	7/2003	Cameron	
D252,221 S	6/1979	Mariani	D481,089 S	10/2003	Breier et al.	
4,278,254 A	7/1981	Simjian	D493,857 S	8/2004	Cameron	
4,314,701 A	2/1982	Swanson	D494,237 S	8/2004	Ware	
4,411,431 A	10/1983	Judice	D496,418 S	9/2004	Tang et al.	
4,444,395 A	4/1984	Reiss	D502,235 S *	2/2005	Burrows .....	D21/742
4,688,798 A	8/1987	Pelz	D502,748 S *	3/2005	Burrows .....	D21/742
D309,765 S	8/1990	Pelz	D506,796 S	6/2005	Li	
D309,766 S	8/1990	Pelz	D507,316 S	7/2005	Li	
D317,034 S	5/1991	Pelz	D518,127 S	3/2006	Tang et al.	
D317,962 S	7/1991	Pelz	D537,135 S *	2/2007	Rollinson et al. ....	D21/742
5,685,784 A	11/1997	Butler	D545,385 S *	6/2007	Tang et al. ....	D21/736

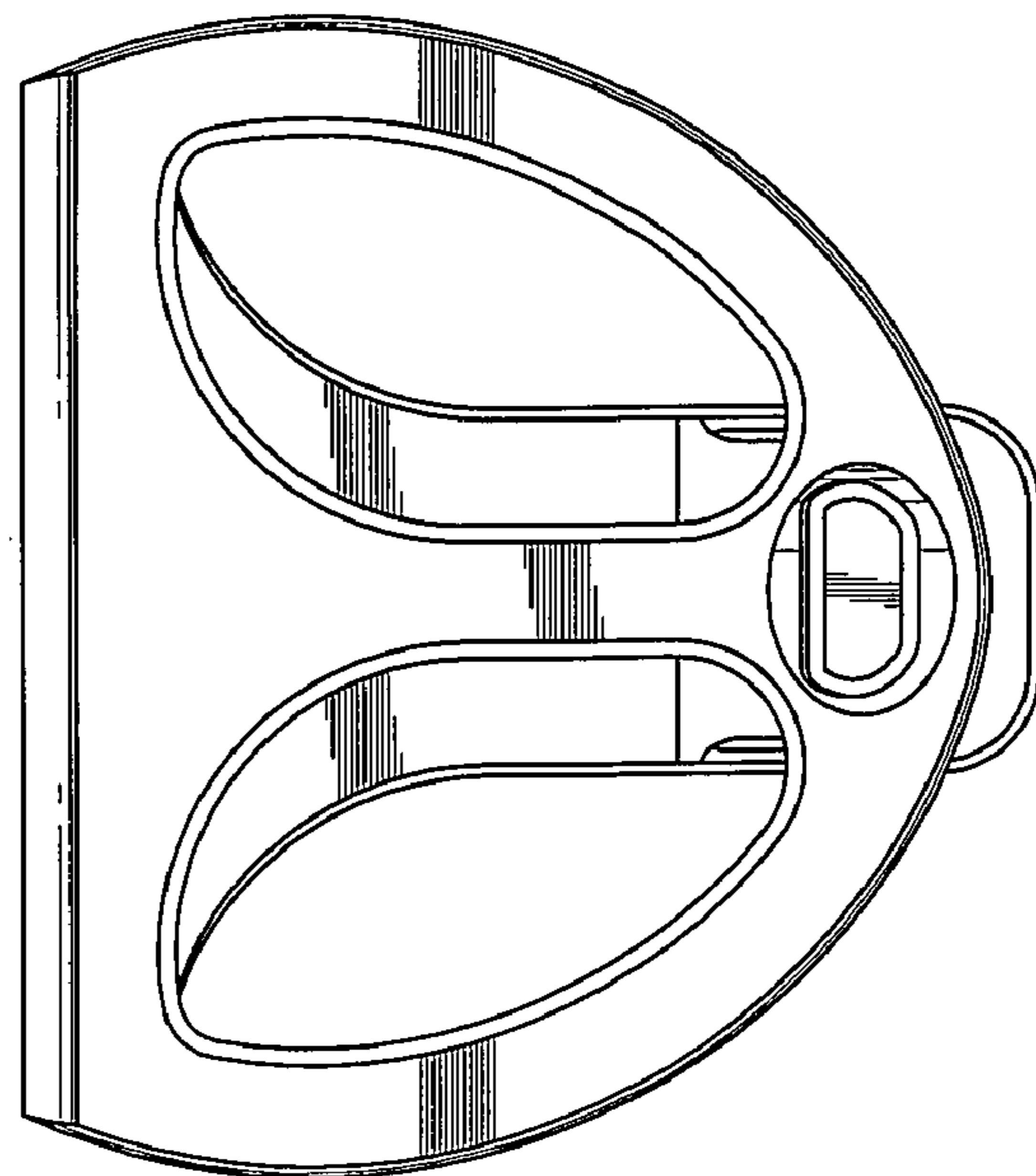
\* cited by examiner



*FIG. 1*

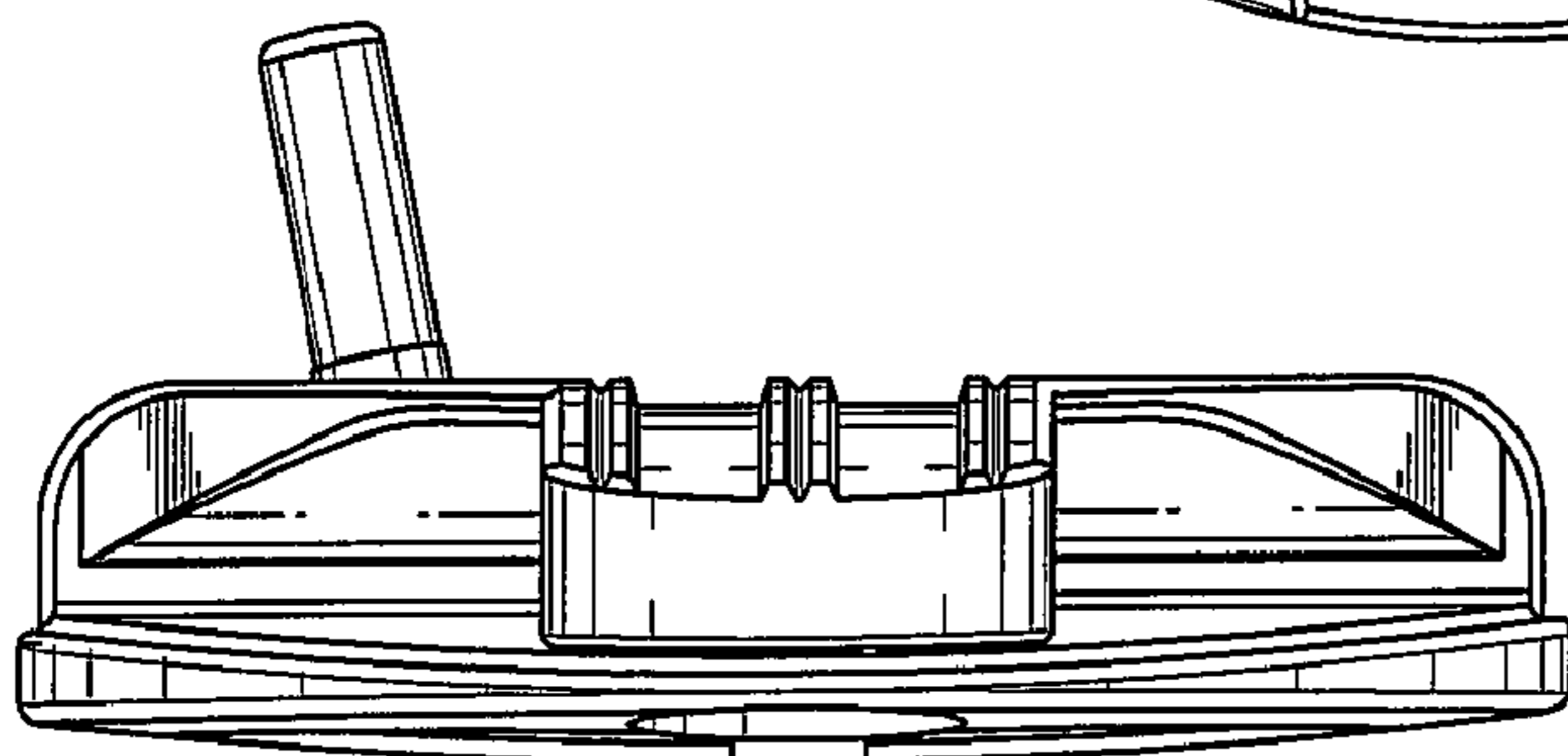
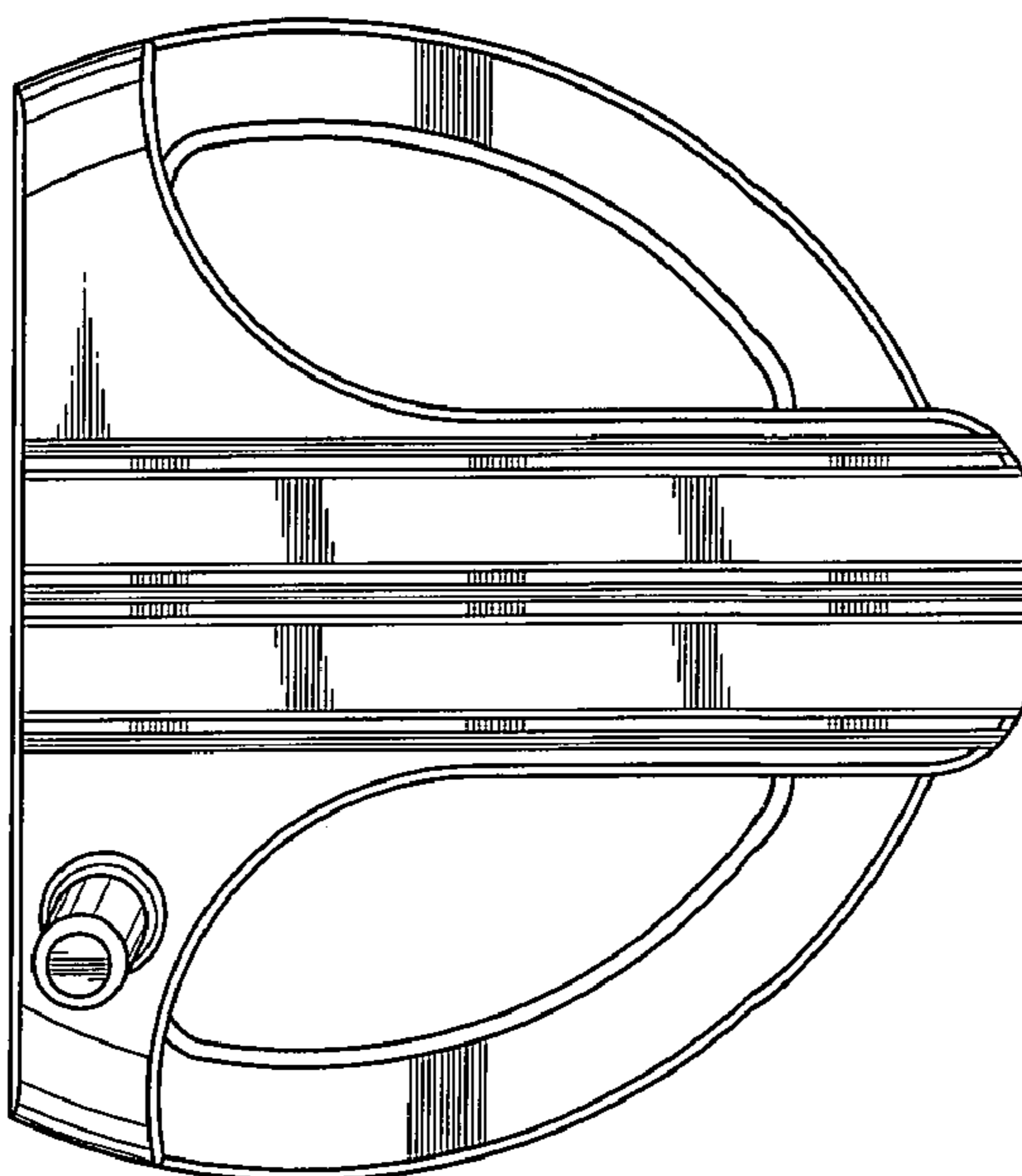


*FIG. 2*

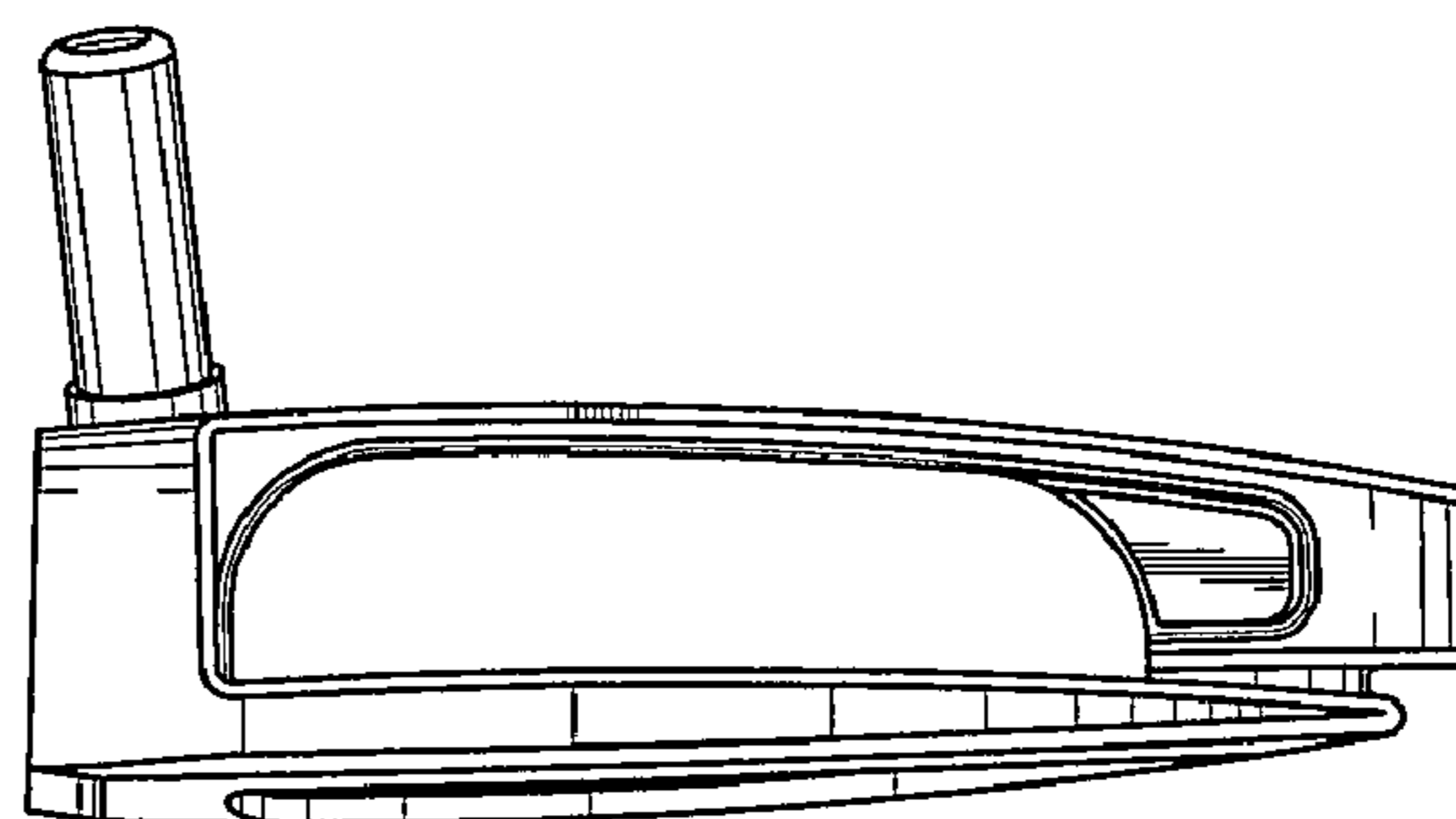


*FIG. 3*

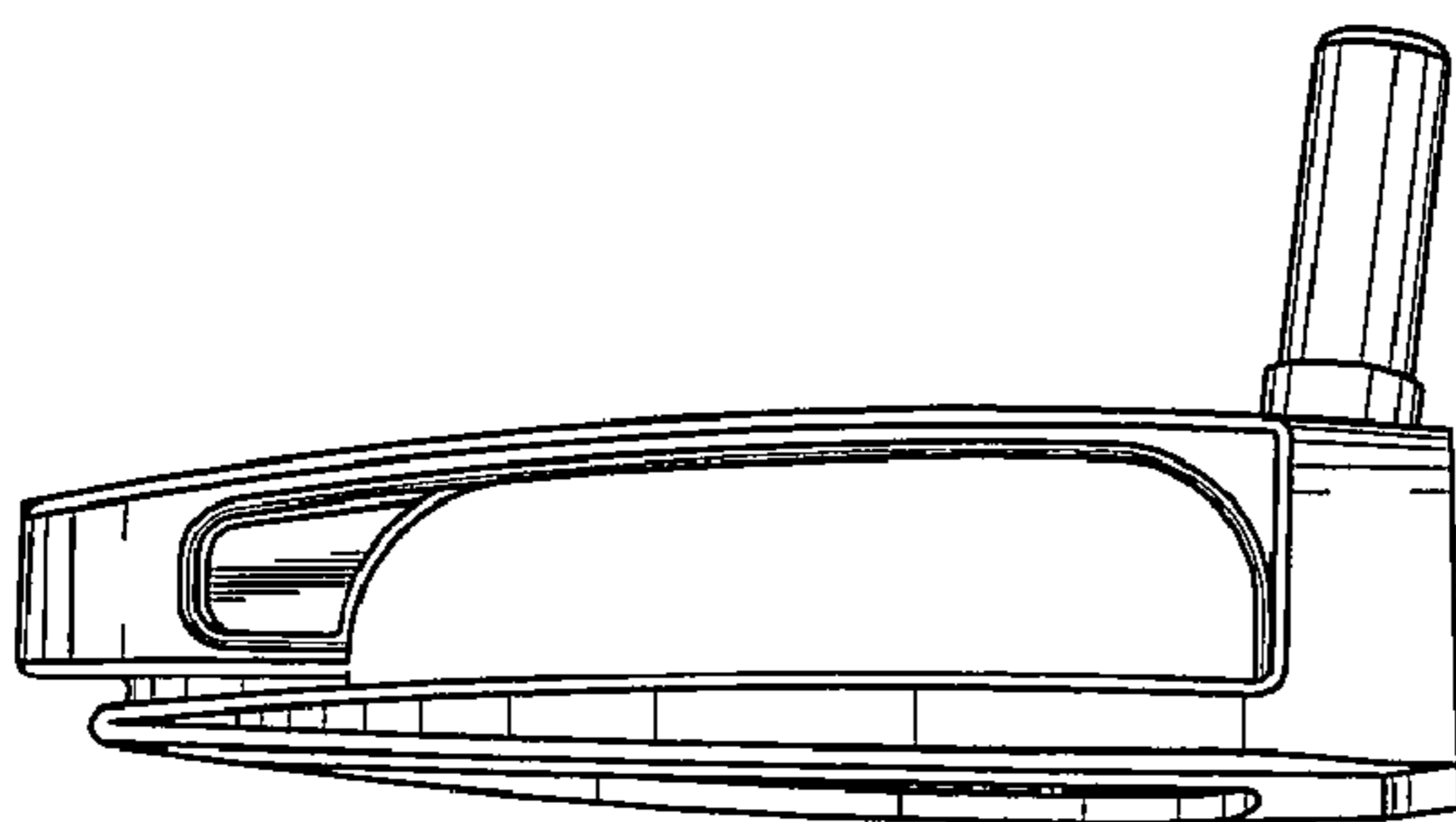
*FIG. 4*



*FIG. 5*



*FIG. 6*



*FIG. 7*