



US00D557359S

(12) **United States Design Patent**
Olason et al.

(10) **Patent No.:** **US D557,359 S**

(45) **Date of Patent:** **** Dec. 11, 2007**

(54) **TREADMILL CONSOLE**

(75) Inventors: **Brady A. Olason**, Mukilteo, WA (US);
Gregory T. Janky, Sammamish, WA
(US)

(73) Assignee: **Precor Incorporated**, Woodinville, WA
(US)

(**) Term: **14 Years**

(21) Appl. No.: **29/256,793**

(22) Filed: **Mar. 24, 2006**

(51) **LOC (8) Cl.** **21-02**

(52) **U.S. Cl.** **D21/696; D21/694**

(58) **Field of Classification Search** D21/662,
D21/663, 665, 667, 668, 669, 670, 694, 696;
482/51, 52, 54, 1

See application file for complete search history.

(56) **References Cited**

U.S. PATENT DOCUMENTS

4,976,435	A	12/1990	Shatford et al.	273/148
5,364,271	A	11/1994	Aknin et al.	434/61
5,591,104	A	1/1997	Andrus et al.	482/7
5,888,172	A	3/1999	Andrus et al.	482/7
6,059,022	A *	5/2000	Wilson	165/162
D444,828	S *	7/2001	Matsumoto	D21/696
D445,152	S *	7/2001	Wang et al.	D21/669
D447,780	S *	9/2001	Arnold et al.	D21/669
6,447,424	B1	9/2002	Ashby et al.	482/8
D478,365	S *	8/2003	Giannelli et al.	D21/668
6,761,669	B1 *	7/2004	Pan et al.	482/54

6,811,518	B2 *	11/2004	Lin	482/54
6,824,502	B1 *	11/2004	Huang	482/54
6,899,659	B2 *	5/2005	Anderson et al.	482/54
D521,577	S *	5/2006	Wu	D21/669
D527,060	S *	8/2006	Flick et al.	D21/669
D531,683	S *	11/2006	Choi et al.	D21/696
D534,973	S *	1/2007	Flick et al.	D21/669
2004/0014566	A1	1/2004	Kao	482/8

OTHER PUBLICATIONS

1 page of images from Google Search for Treadmill Console.*

* cited by examiner

Primary Examiner—Philip S. Hyder

(74) *Attorney, Agent, or Firm*—Terence P. O'Brien

(57) **CLAIM**

The ornamental design for a treadmill console, as shown and described.

DESCRIPTION

FIG. 1 is a front and side perspective view of a treadmill console;

FIG. 2 is a front view of the treadmill console of FIG. 1;

FIG. 3 is a side view of the treadmill console of FIG. 1; and,

FIG. 4 is a top view of the treadmill console of FIG. 1.

The ornamental design that is claimed is shown in solid lines in the drawings. The broken (dashed) lines shown in the drawings are included for the purpose of illustrating environmental elements only and form no part of the claimed design.

1 Claim, 2 Drawing Sheets

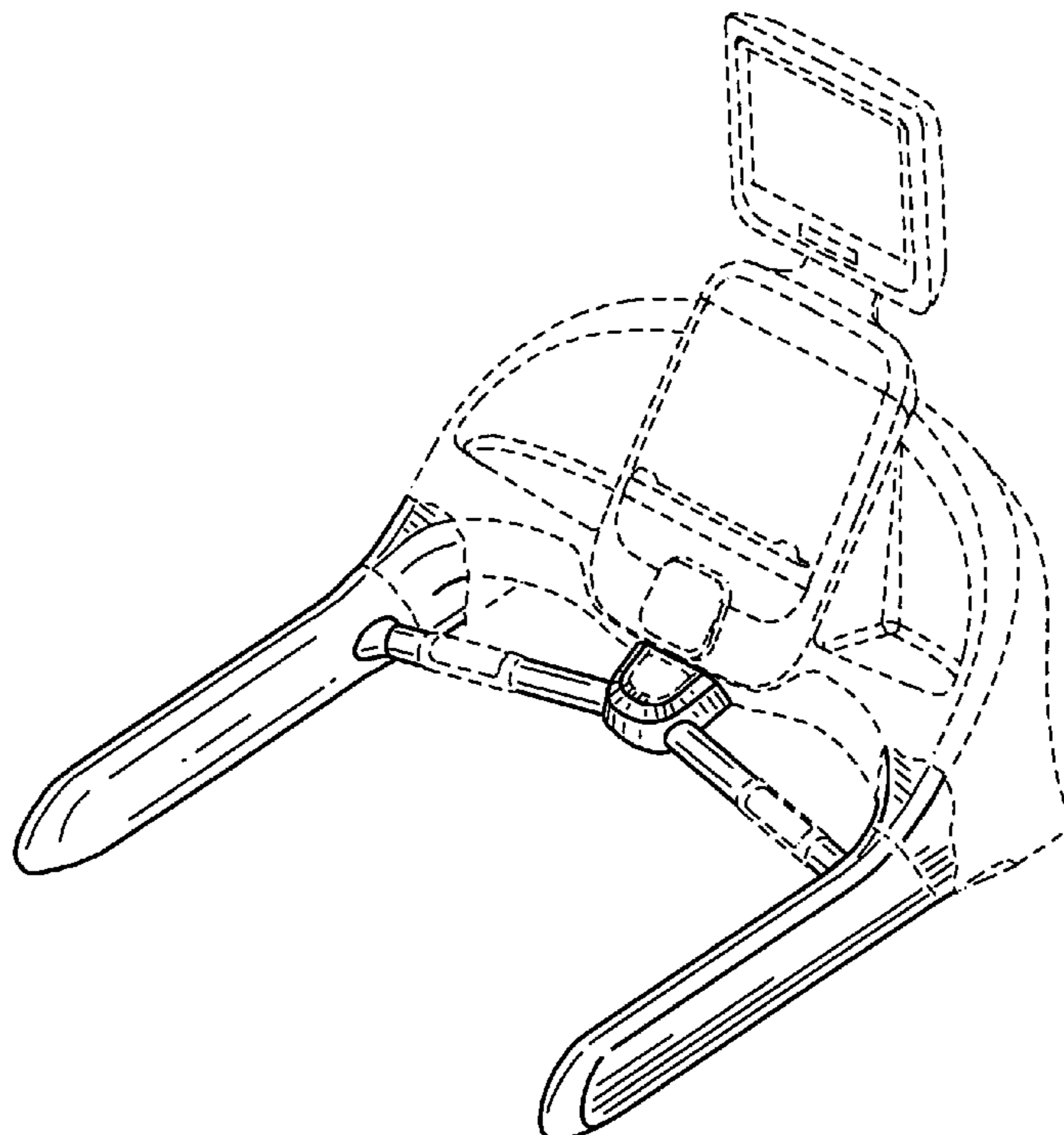


FIG. 1

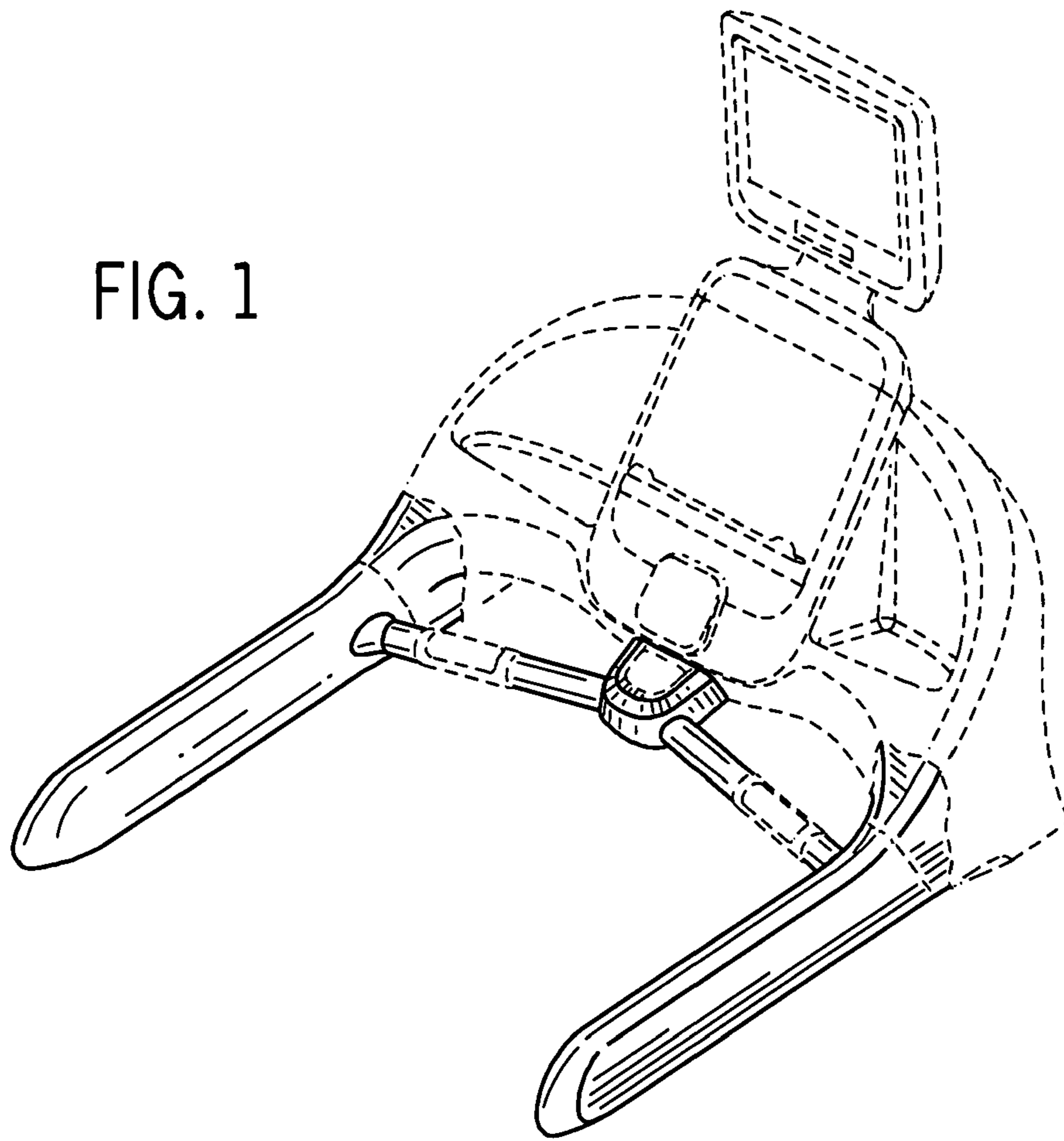


FIG. 2

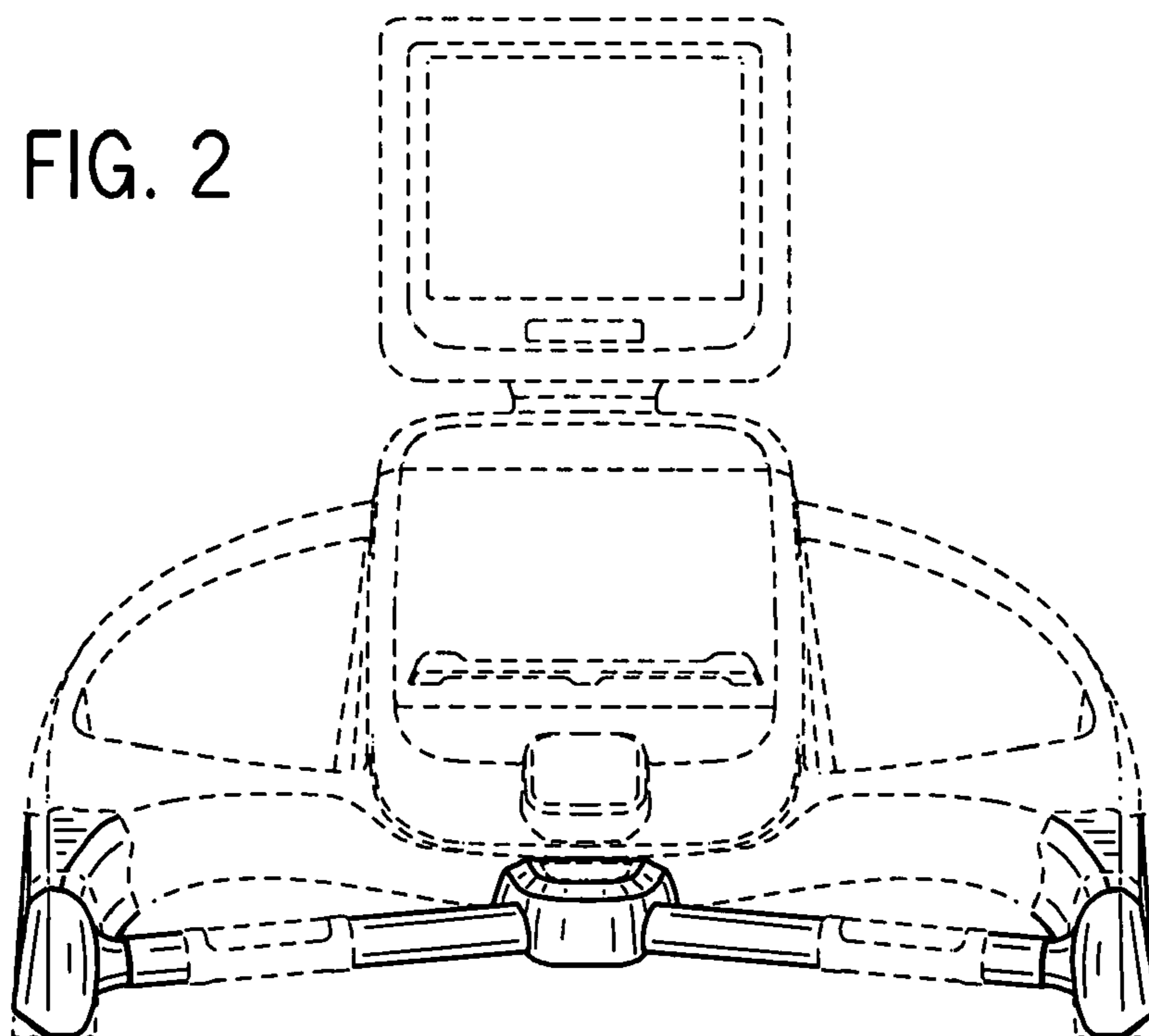


FIG. 3

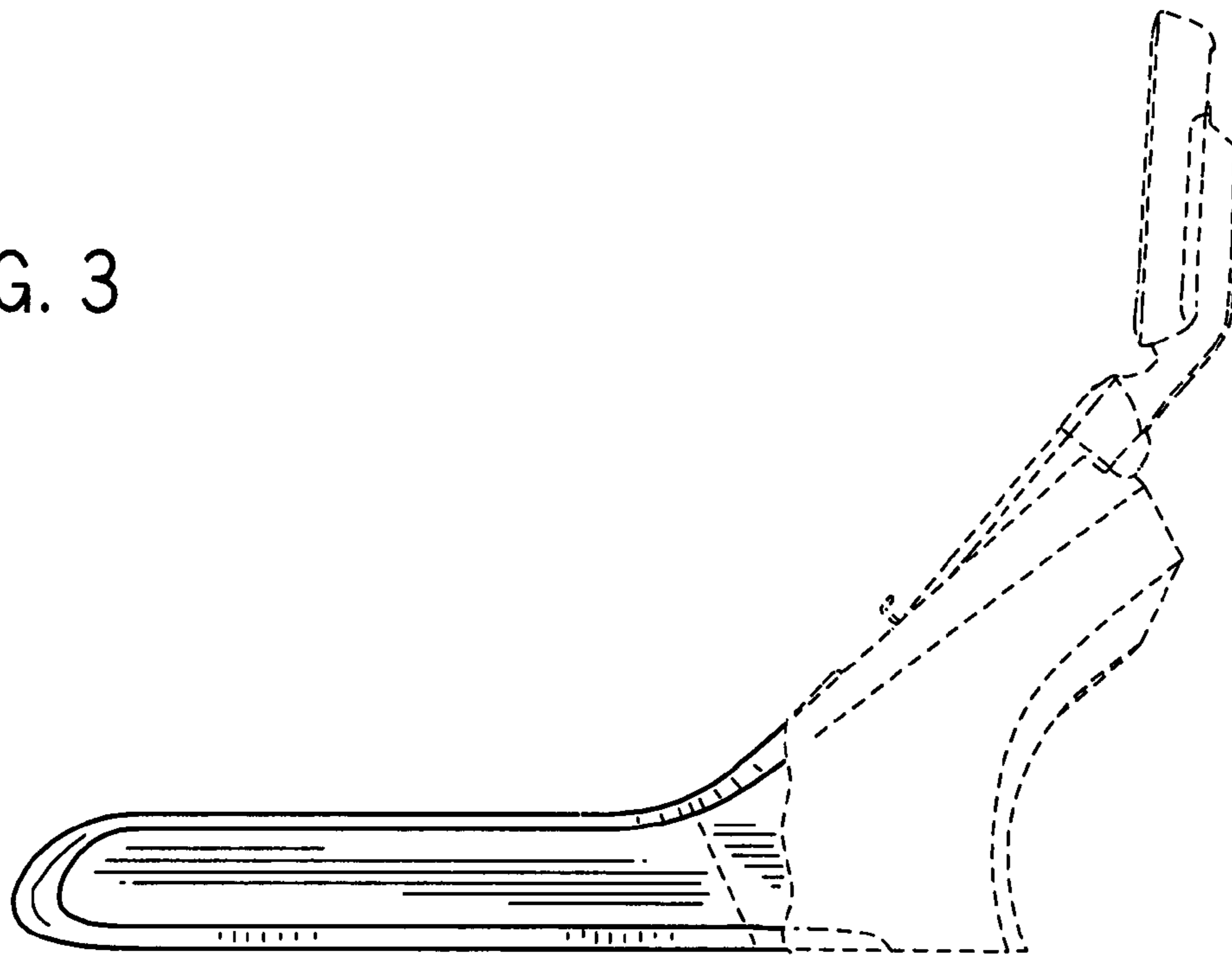


FIG. 4

