



US00D557355S

(12) **United States Design Patent**
Higuchi et al.

(10) **Patent No.:** **US D557,355 S**

(45) **Date of Patent:** **** Dec. 11, 2007**

(54) **TOY-PERISCOPE WATER GUN**

(75) Inventors: **Terence Higuchi**, Redondo Beach, CA (US); **Brian Rosenblum**, Sherman Oaks, CA (US); **Dominic Laurienzo**, Los Angeles, CA (US)

(73) Assignee: **Jakks Pacific, Inc.**, Malibu, CA (US)

(**) Term: **14 Years**

(21) Appl. No.: **29/253,758**

(22) Filed: **Feb. 11, 2006**

(51) **LOC (8) Cl.** **21-01**

(52) **U.S. Cl.** **D21/572**

(58) **Field of Classification Search** D21/567-575, D21/597, 599, 657; D22/103, 105; 446/267, 446/473, 175; 222/78-79; 239/211, 237, 239/329, 373; 124/6, 16, 63-65, 73-75; D23/231

See application file for complete search history.

(56) **References Cited**

U.S. PATENT DOCUMENTS

4,750,641	A	6/1988	Chin-Fu	
D344,108	S	2/1994	Shirai et al.	
D353,169	S	12/1994	Shirai et al.	
5,419,458	A	5/1995	Mayer	
D359,087	S	6/1995	Camino et al.	
5,662,244	A	9/1997	Liu et al.	
D393,022	S	3/1998	Nagel	
5,782,228	A	7/1998	Wu	
D401,977	S	12/1998	Wong	
5,866,839	A	2/1999	Ohayon	
D416,954	S	11/1999	Yu	
D426,592	S	6/2000	Zimmerman	
D426,593	S	6/2000	Zimmerman	
D427,251	S	6/2000	D'Andrade et al.	
D428,077	S *	7/2000	Zimmerman D21/572
D429,778	S	8/2000	D'Andrade et al.	
D433,074	S	10/2000	Clemmer	
D433,079	S	10/2000	Zimmerman	

D438,916	S *	3/2001	Wan D21/572
D441,039	S	4/2001	Greenberg et al.	
D458,975	S	6/2002	Hornsby et al.	
D466,958	S *	12/2002	Hornsby et al. D21/572
D478,639	S	8/2003	Menow et al.	
D479,286	S	9/2003	Menow et al.	
D485,872	S	1/2004	Yaschur	
6,715,227	B2	4/2004	Swain	
D505,165	S	5/2005	McBride et al.	
2002/0020712	A1 *	2/2002	Hornsby et al. 222/79
2002/0092864	A1 *	7/2002	Small et al. 222/79
2002/0127946	A1 *	9/2002	Hornsby et al. 446/176
2002/0132557	A1 *	9/2002	Yu 446/475
2003/0051719	A1	3/2003	Vanek et al.	
2004/0040551	A1 *	3/2004	Menow et al. 124/71
2005/0074277	A1	4/2005	Brown et al.	

FOREIGN PATENT DOCUMENTS

EP 0 753 716 7/1996

* cited by examiner

Primary Examiner—Holly H. Baynham

Assistant Examiner—Cynthia M. Chin

(74) *Attorney, Agent, or Firm*—Tope-McKay & Associates

(57) **CLAIM**

The ornamental design for a toy-periscope water gun, as shown.

DESCRIPTION

FIG. 1 is a top right side-perspective view illustration of a toy-bazooka water gun according to my new design;

FIG. 2 is a top left side-perspective view thereof;

FIG. 3 is a left elevational view thereof;

FIG. 4 is a right elevational view thereof;

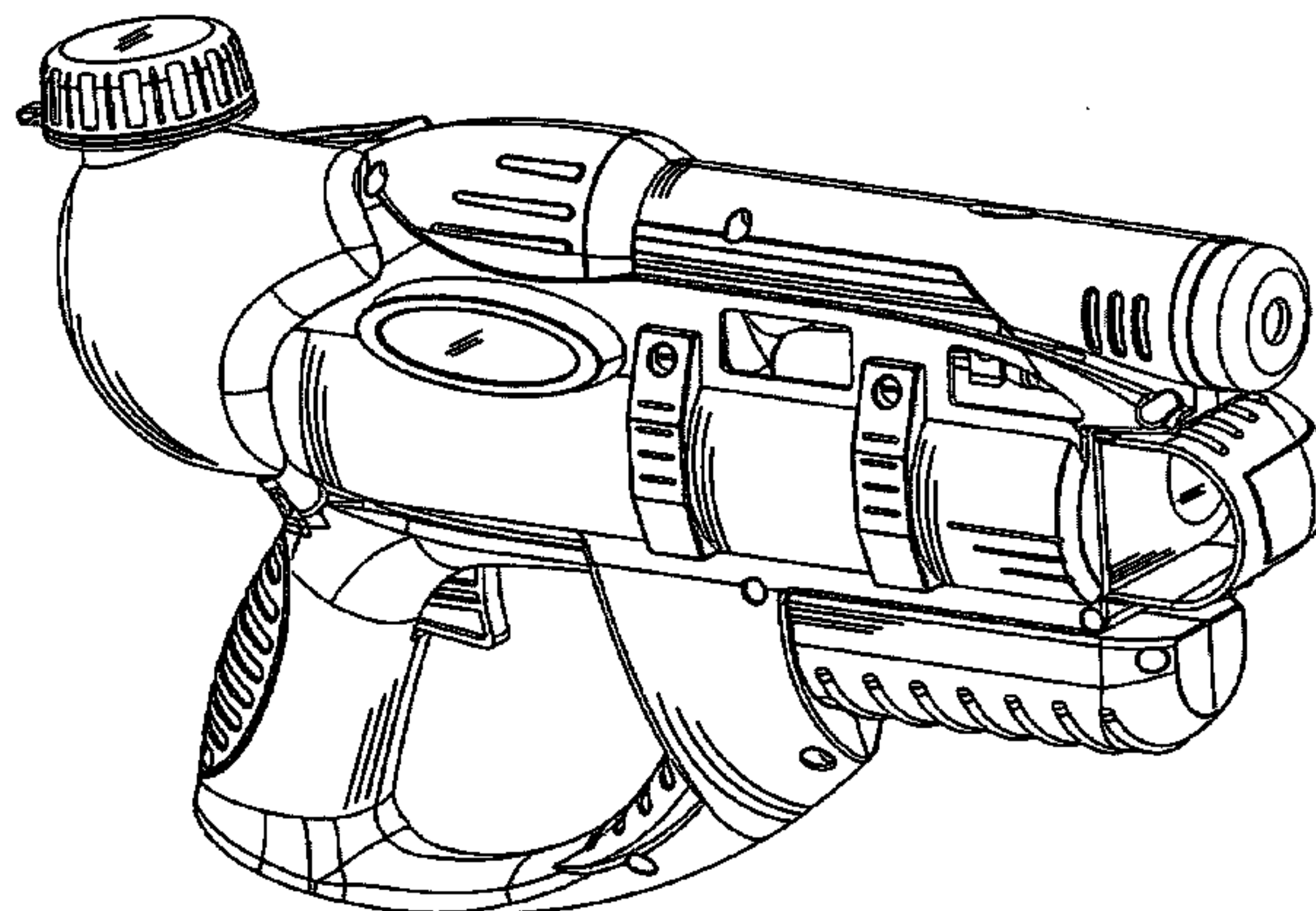
FIG. 5 is a top plan view thereof;

FIG. 6 is a bottom plan view thereof;

FIG. 7 is a front elevational view thereof; and,

FIG. 8 is a back elevational view thereof.

1 Claim, 8 Drawing Sheets



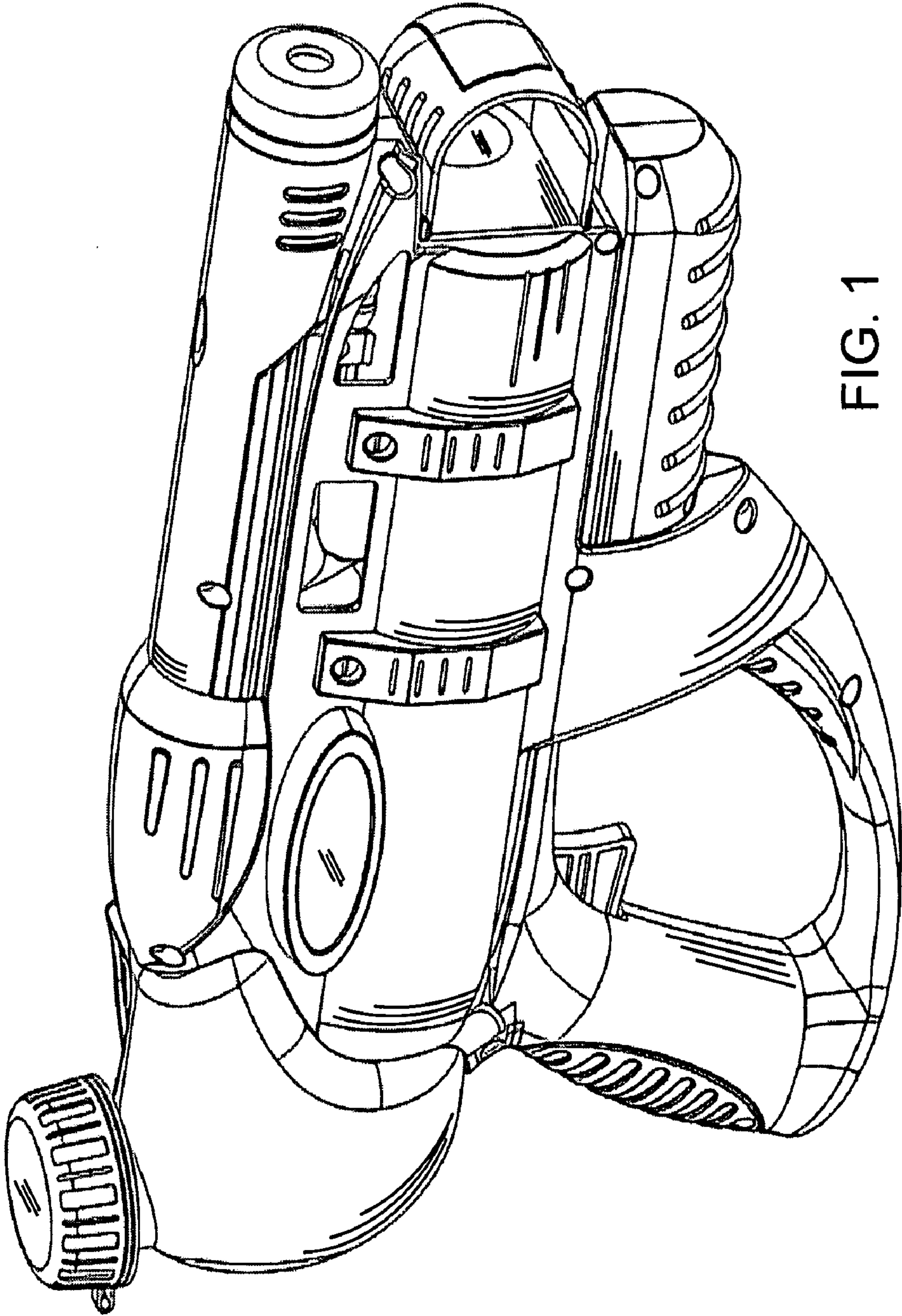


FIG. 1

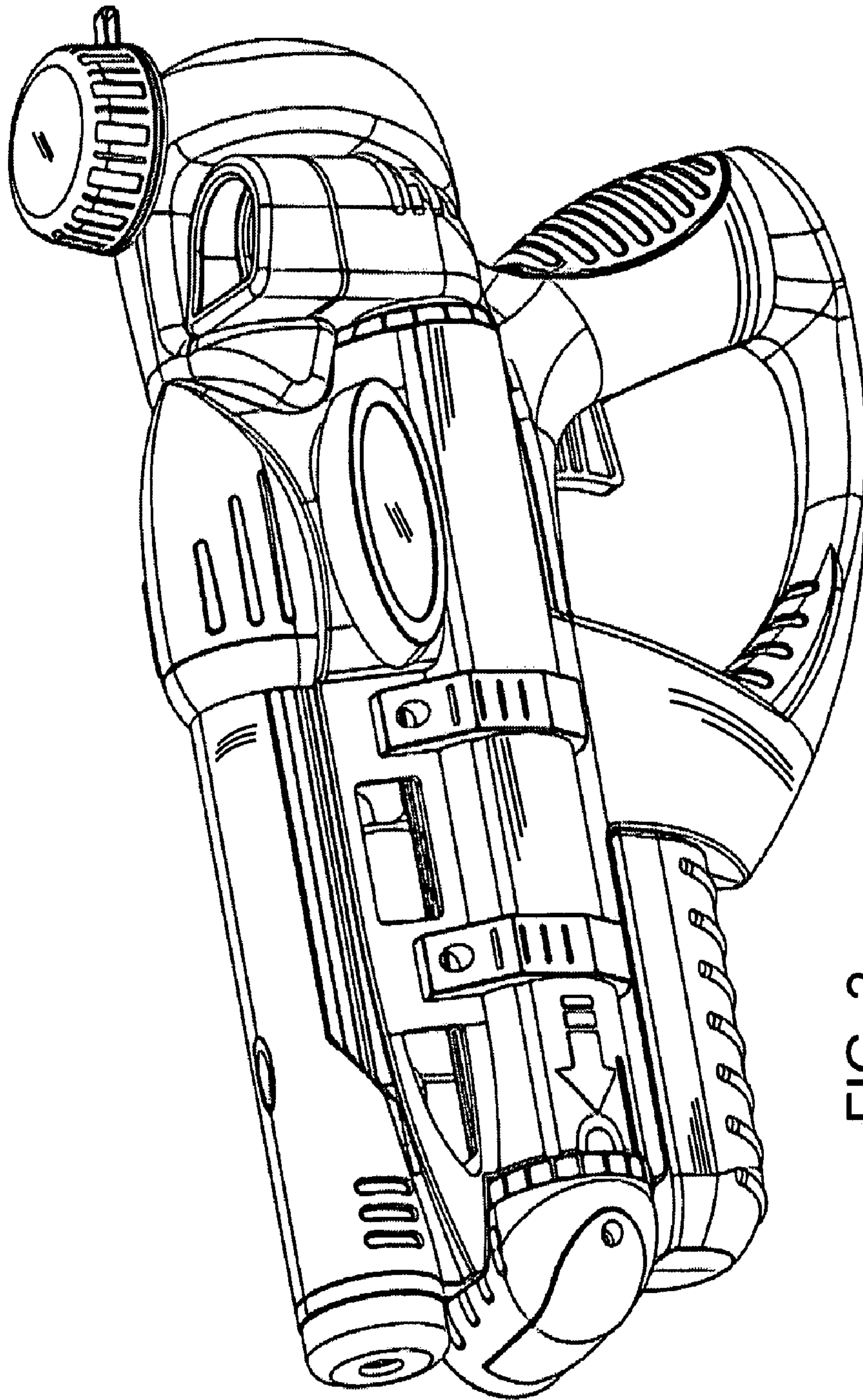


FIG. 2

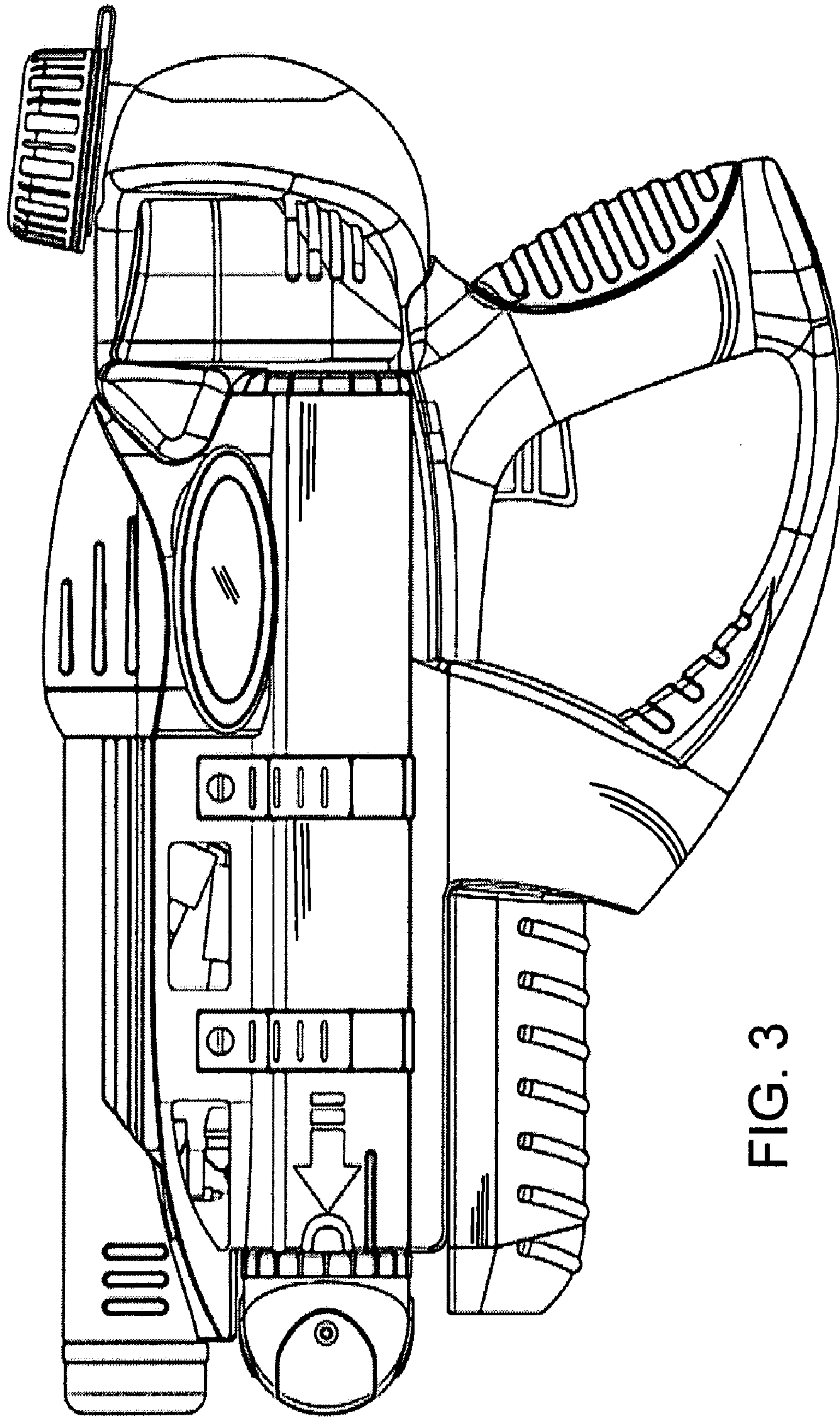


FIG. 3

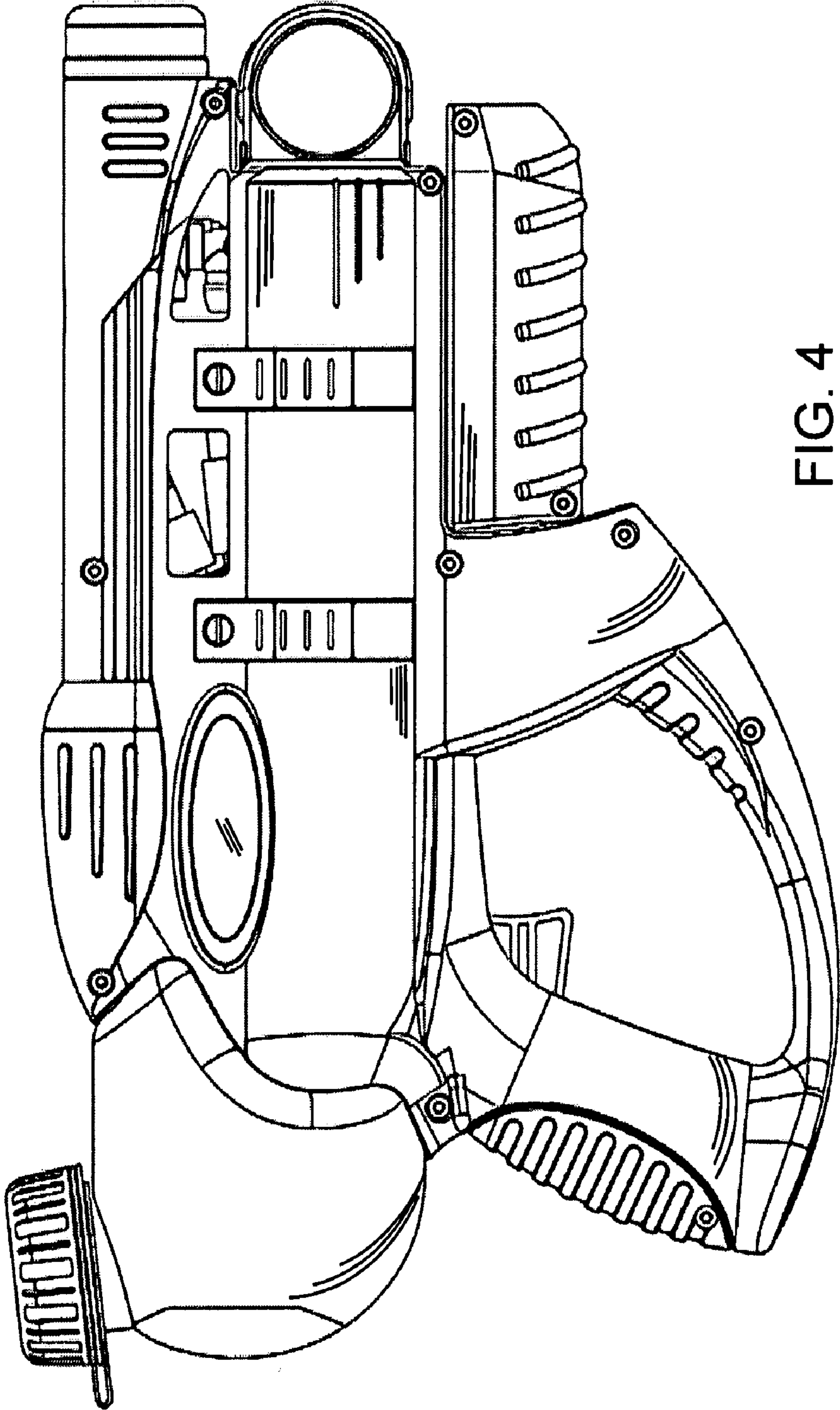


FIG. 4

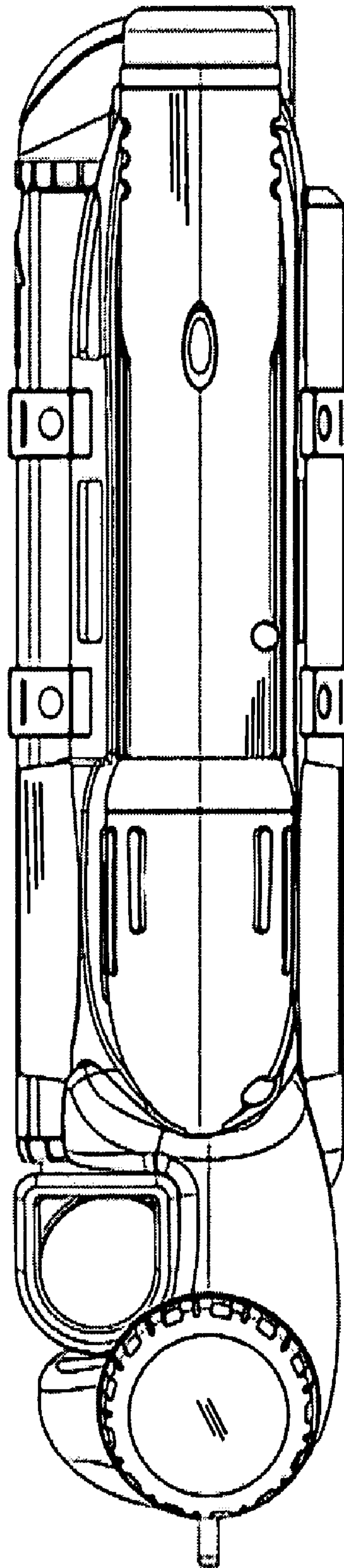


FIG. 5

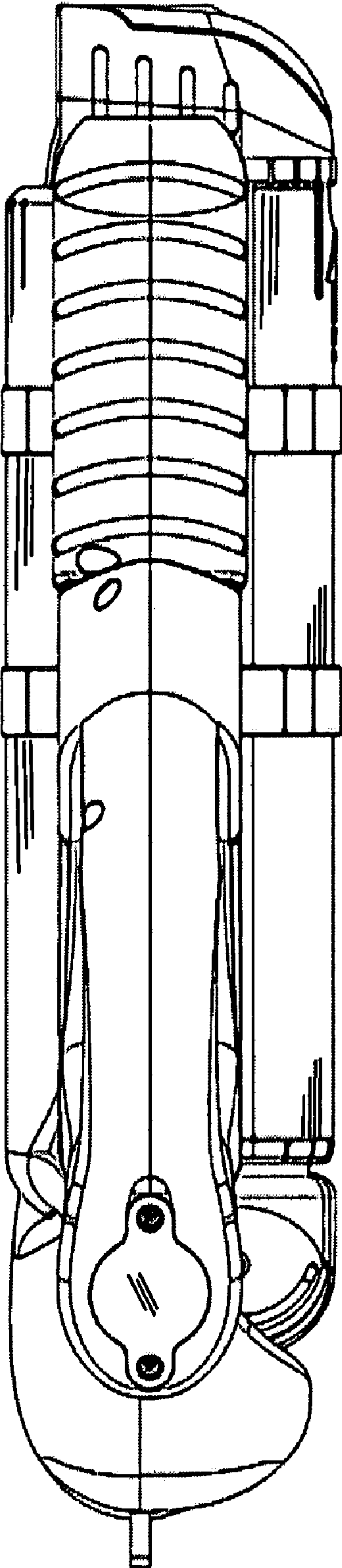


FIG. 6

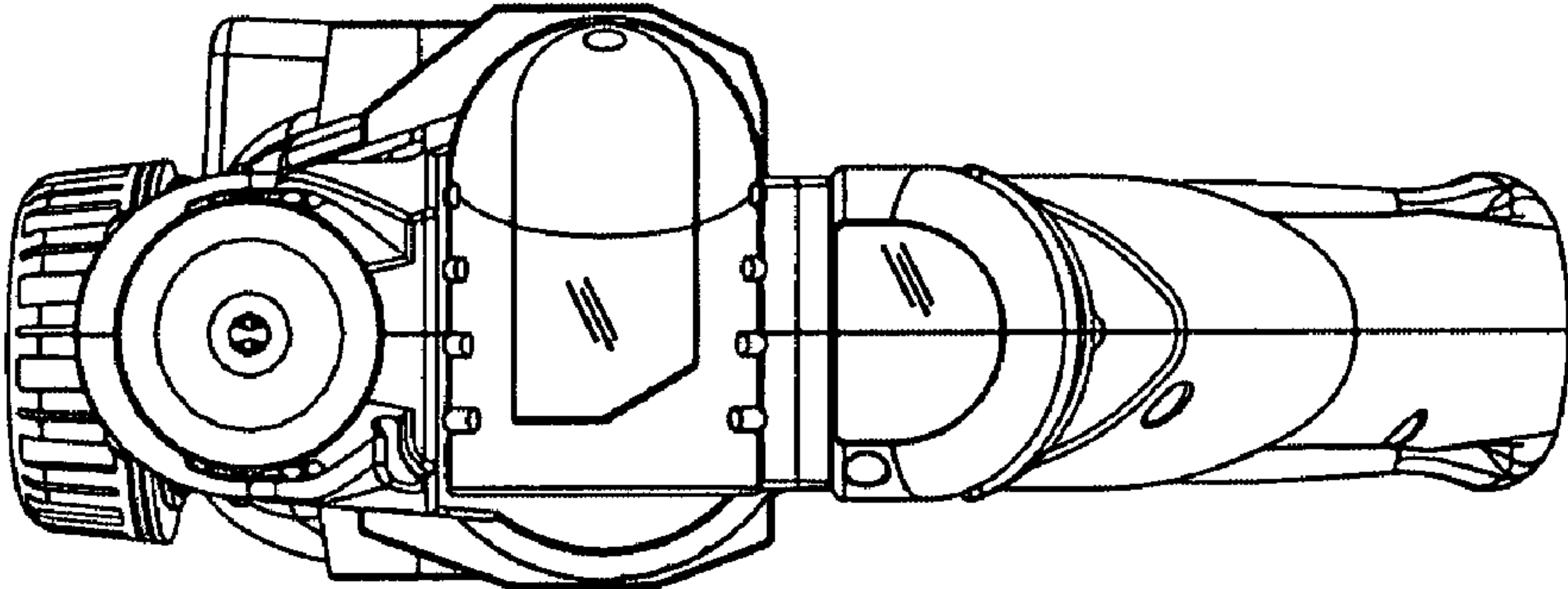


FIG. 7

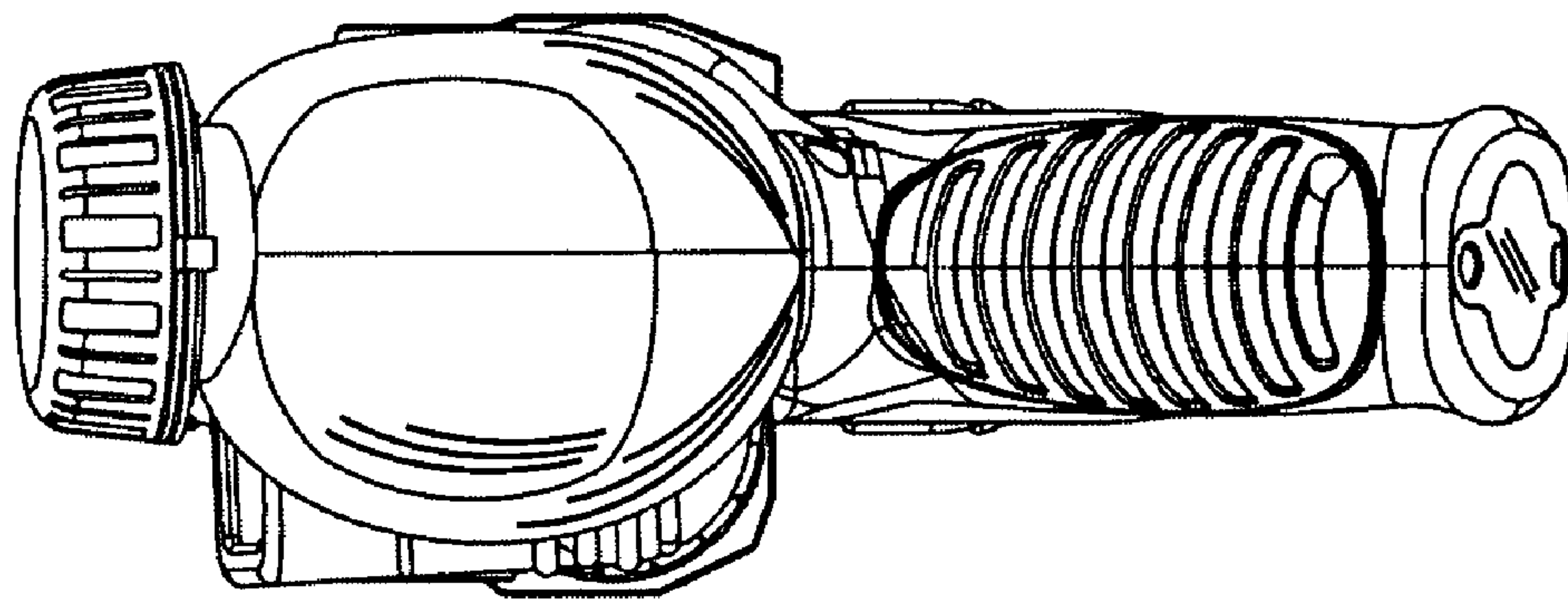


FIG. 8