



US00D557354S

(12) **United States Design Patent**
Berger

(10) **Patent No.:** **US D557,354 S**

(45) **Date of Patent:** **** Dec. 11, 2007**

(54) **HAND-CRANK DYNO-POWERED GENERATOR FOR TOY VEHICLES**

D534,501 S * 1/2007 Yao D13/168

* cited by examiner

(75) Inventor: **Timothy Berger**, 3609 Douglas Dr., Crystal, MN (US) 55422

Primary Examiner—Holly H. Baynham

Assistant Examiner—Cynthia M. Chin

(73) Assignee: **Timothy Berger**, Crystal, MN (US)

(57) **CLAIM**

(**) Term: **14 Years**

The ornamental design for a hand-crank dyno-powered generator for toy vehicles, and shown and described.

(21) Appl. No.: **29/249,862**

(22) Filed: **Oct. 24, 2006**

DESCRIPTION

(51) **LOC (8) Cl.** **21-01**

FIG. 1 is a perspective view of a hand-crank dyno-powered generator for toy vehicles, illustrating my new design;

(52) **U.S. Cl.** **D21/533**

FIG. 2 is a front elevational view of the invention;

(58) **Field of Classification Search** D21/533,
D21/548–554, 561, 566; D8/308, 309; D13/168,
D13/169; 446/450, 451

FIG. 3 is a rear elevational view of the invention, illustrating a toy vehicle in phantom outline, the broken lines showing the toy vehicle for illustrative purposes only and forming no part of the claimed design;

See application file for complete search history.

FIG. 4 is a left-side elevational view of the invention;

(56) **References Cited**

U.S. PATENT DOCUMENTS

D369,967 S *	5/1996	Decursu et al.	D8/309
D484,467 S *	12/2003	de Leon	D13/168
D514,527 S *	2/2006	DiPasquale	D13/168
D520,660 S *	5/2006	Yuen	D26/38
D528,511 S *	9/2006	Li	D13/168
D529,212 S *	9/2006	Yuen	D26/37

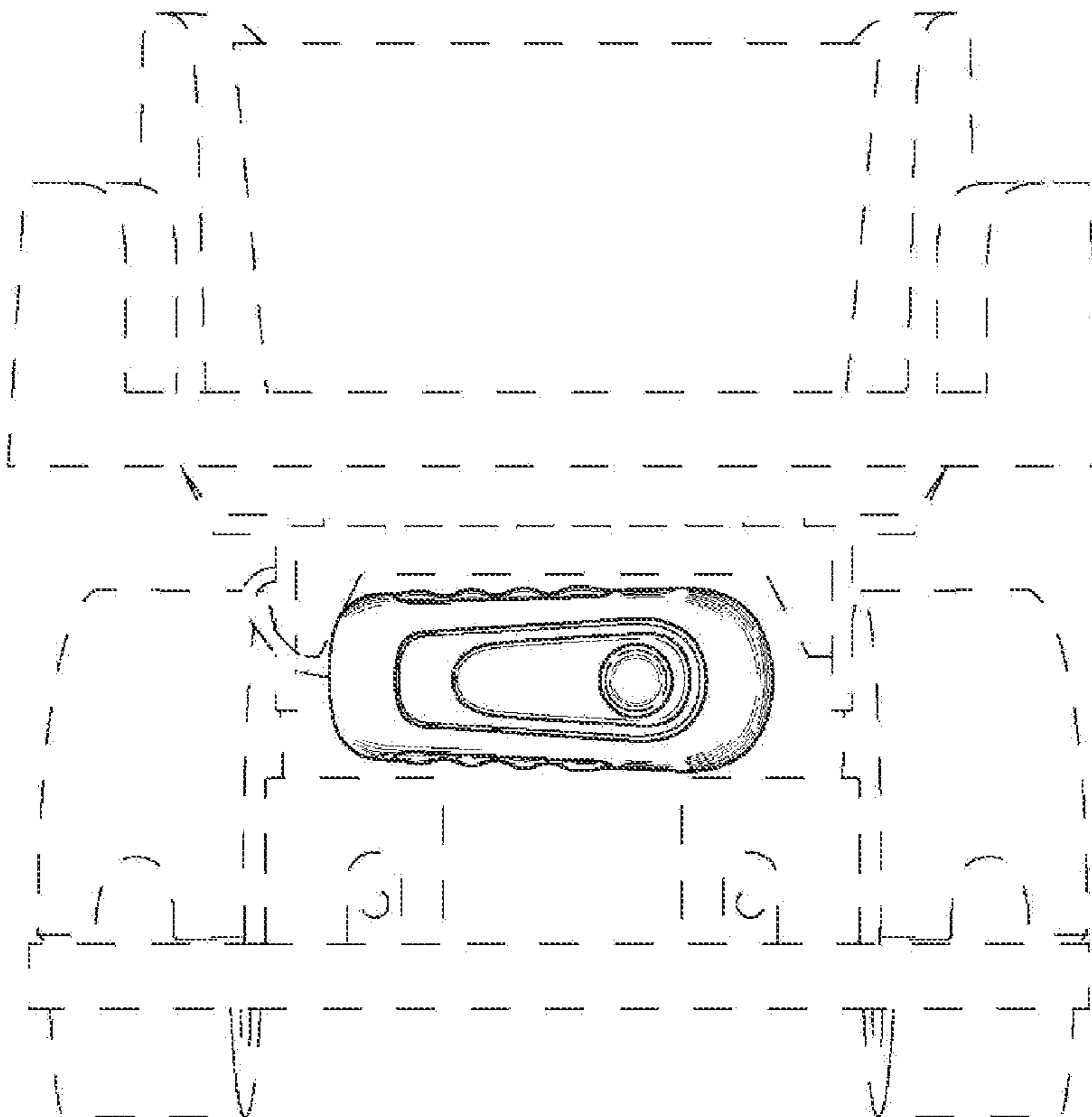
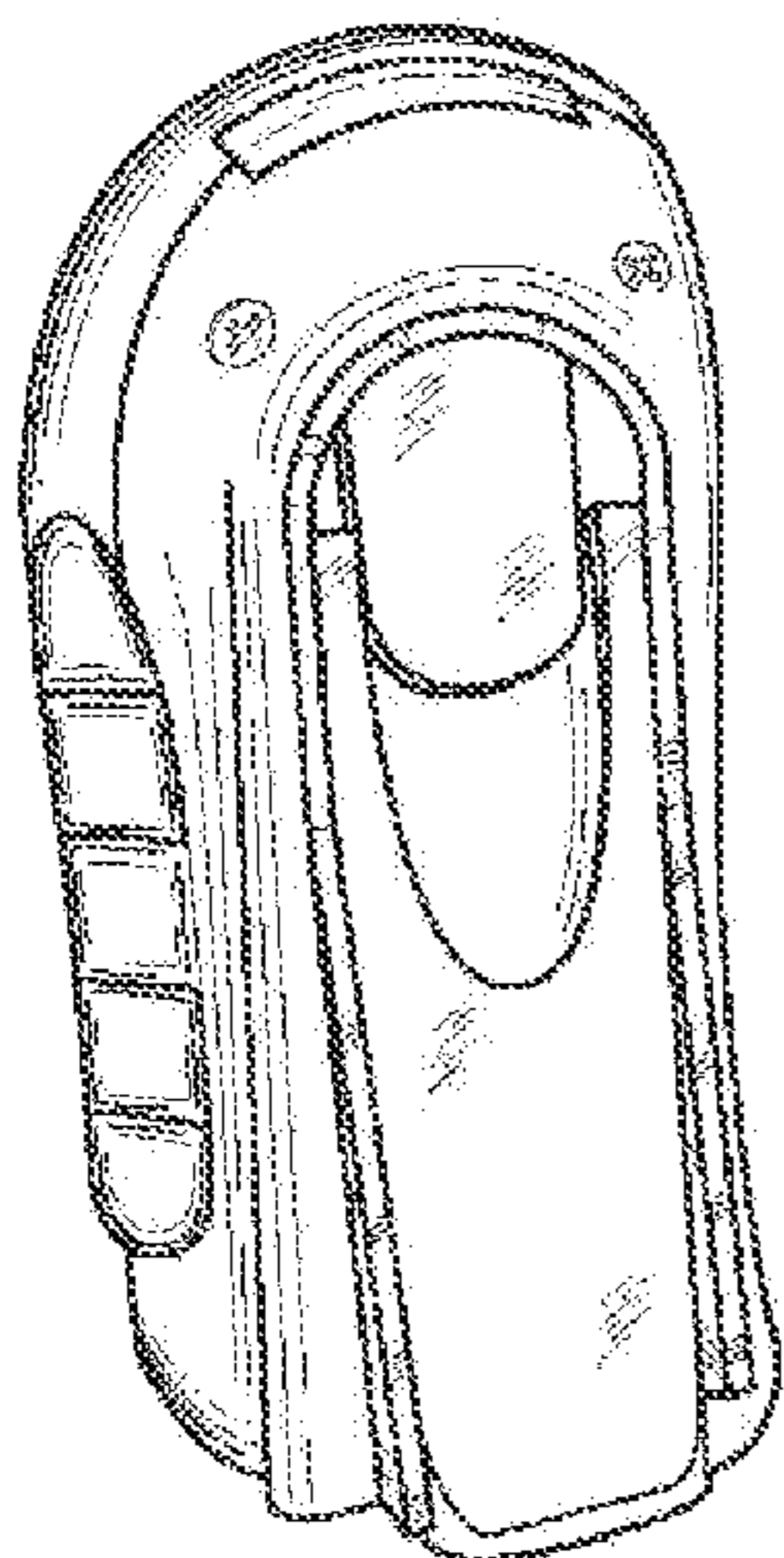
FIG. 5 is a right-side elevational view of the invention;

FIG. 6 is a rear elevational view of the invention;

FIG. 7 is a top plan view of the invention; and,

FIG. 8 is a bottom plan view of the invention.

1 Claim, 2 Drawing Sheets



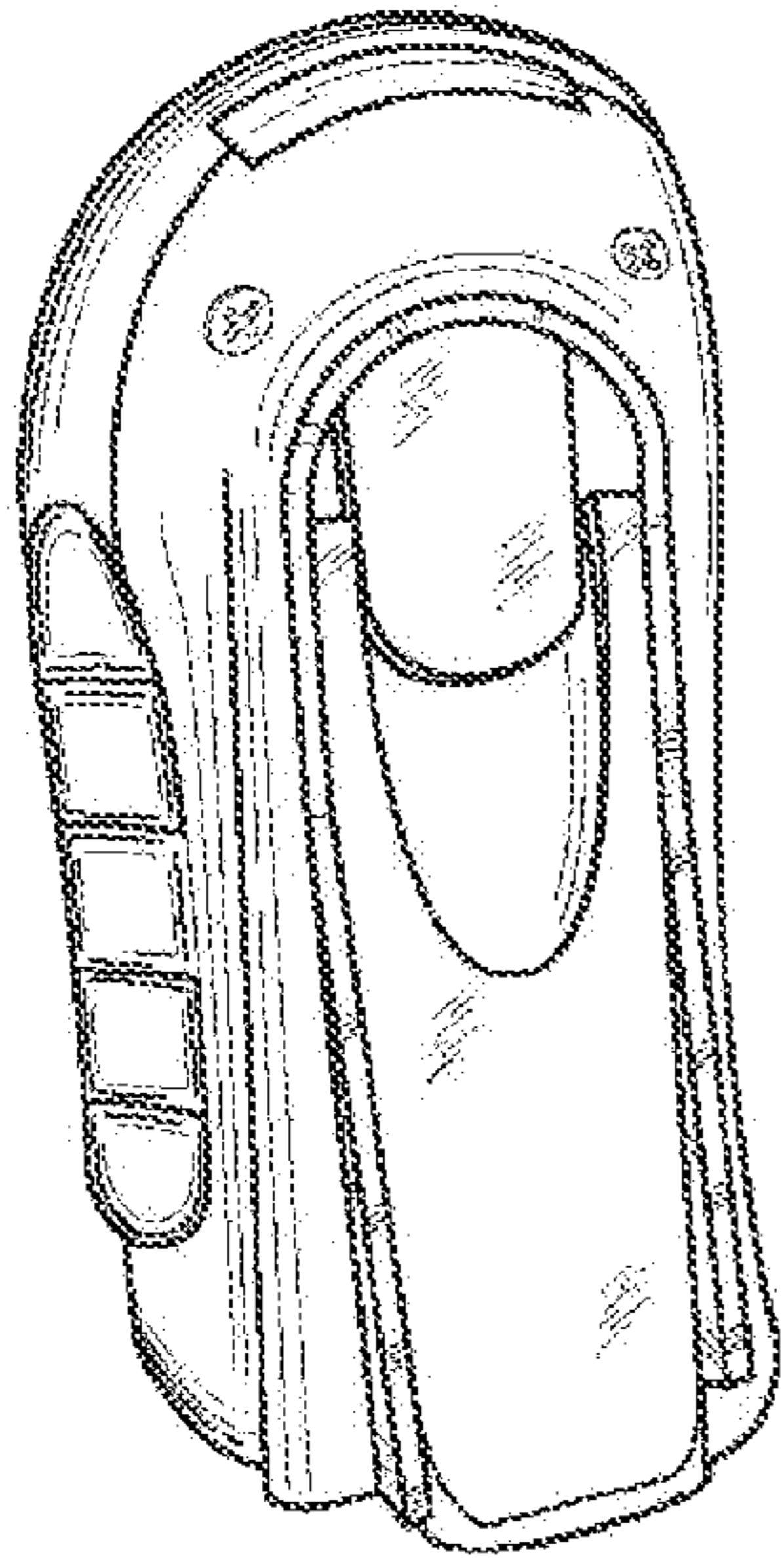


FIG. 1

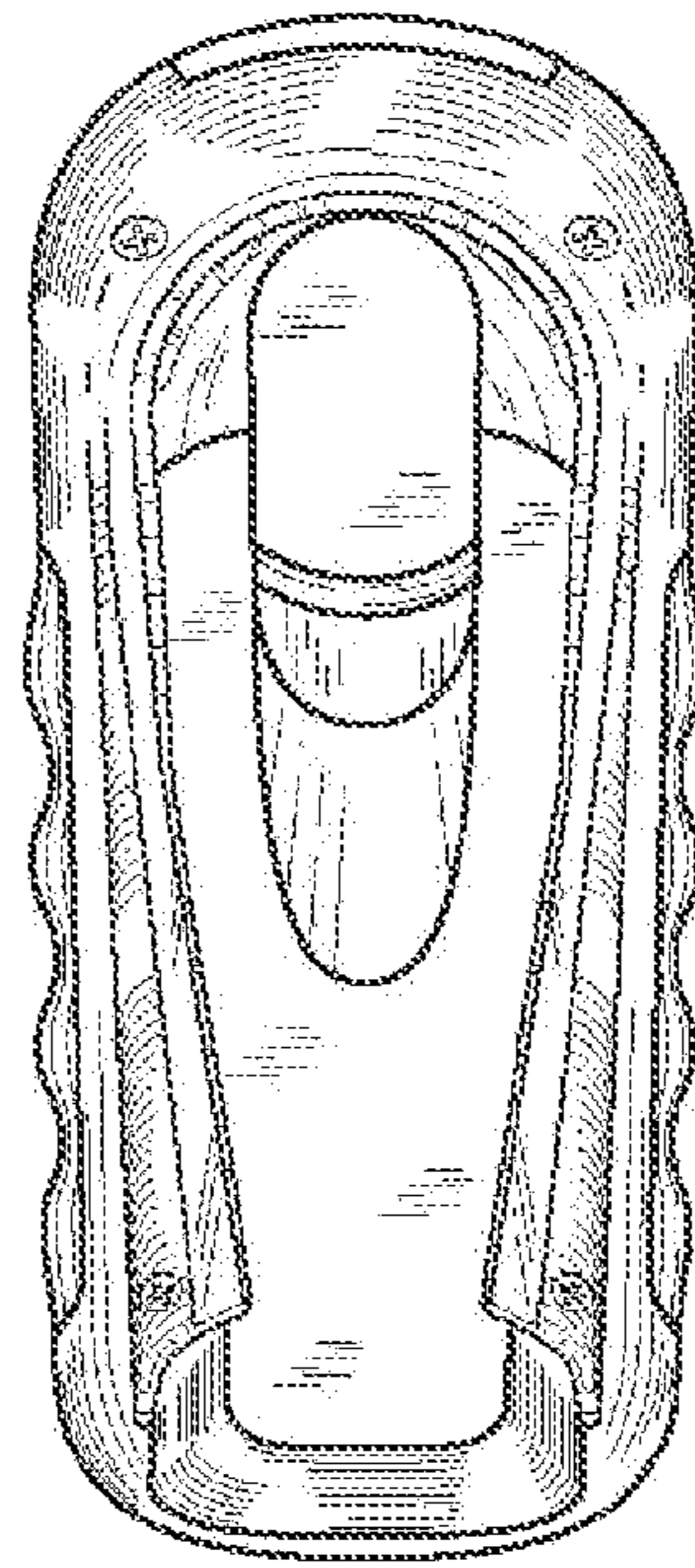


FIG. 2

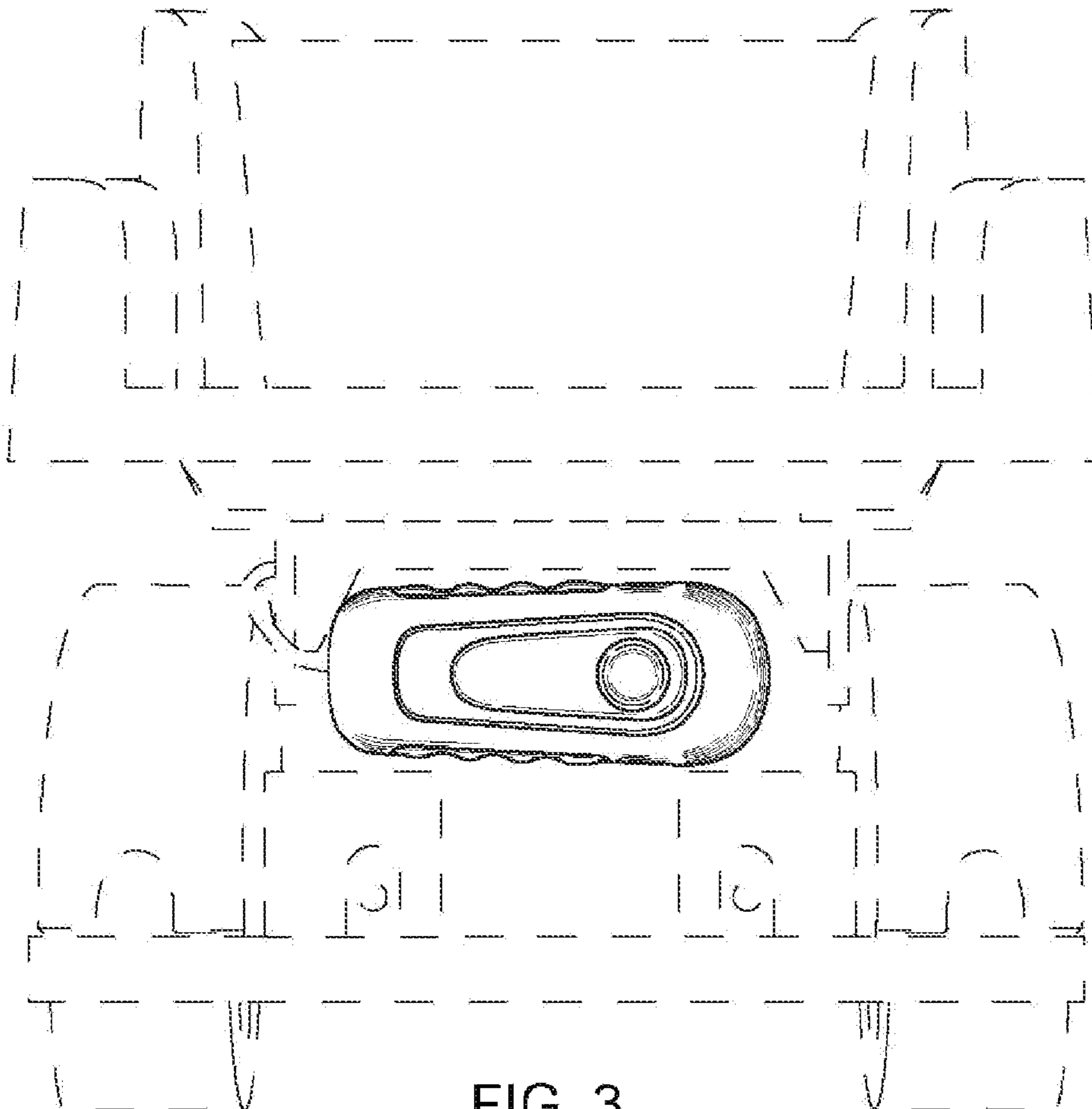


FIG. 3

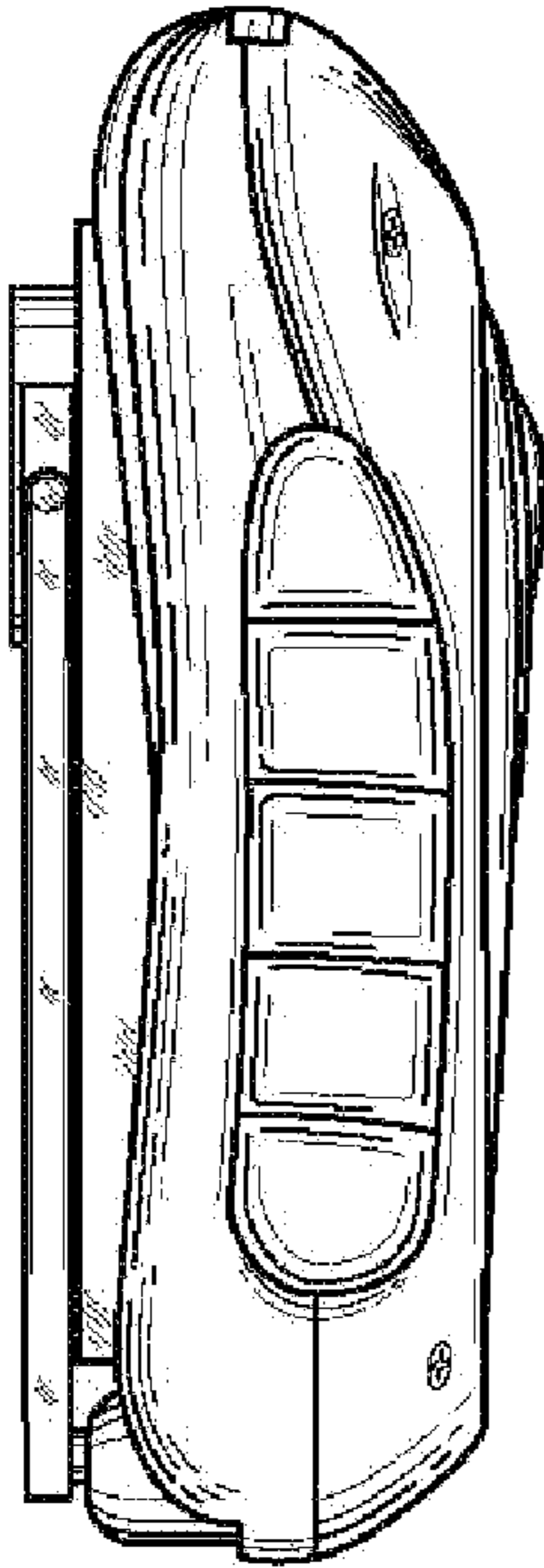


FIG. 4

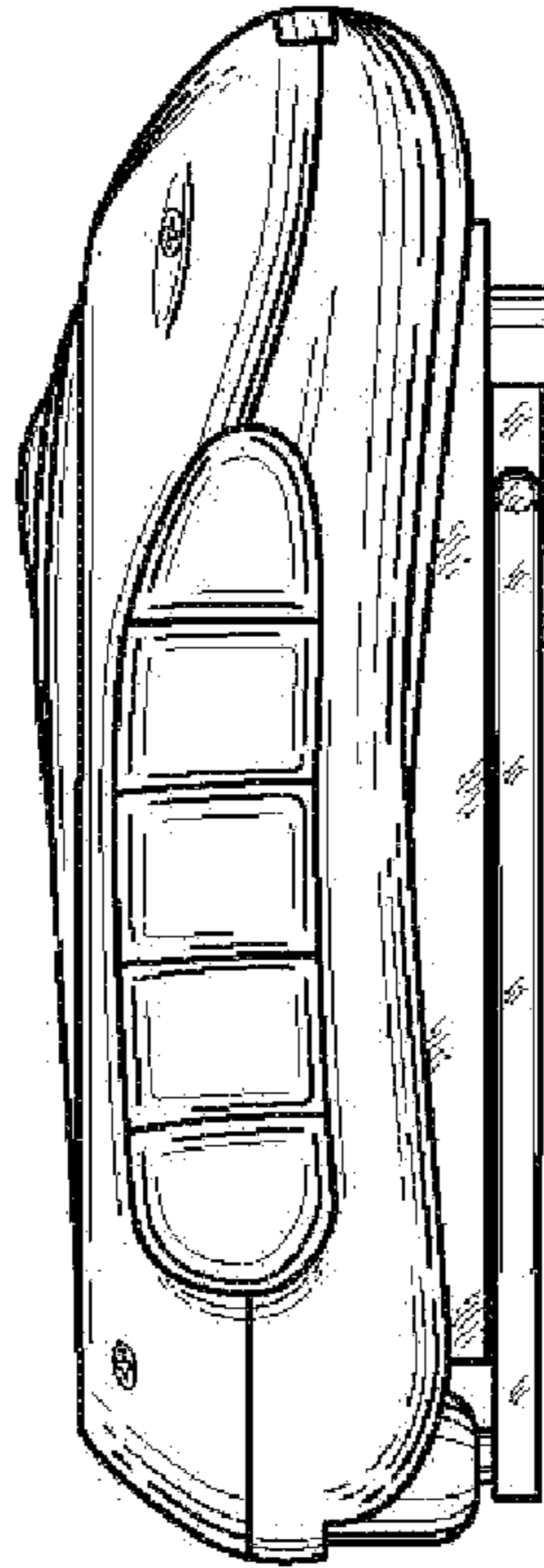


FIG. 5

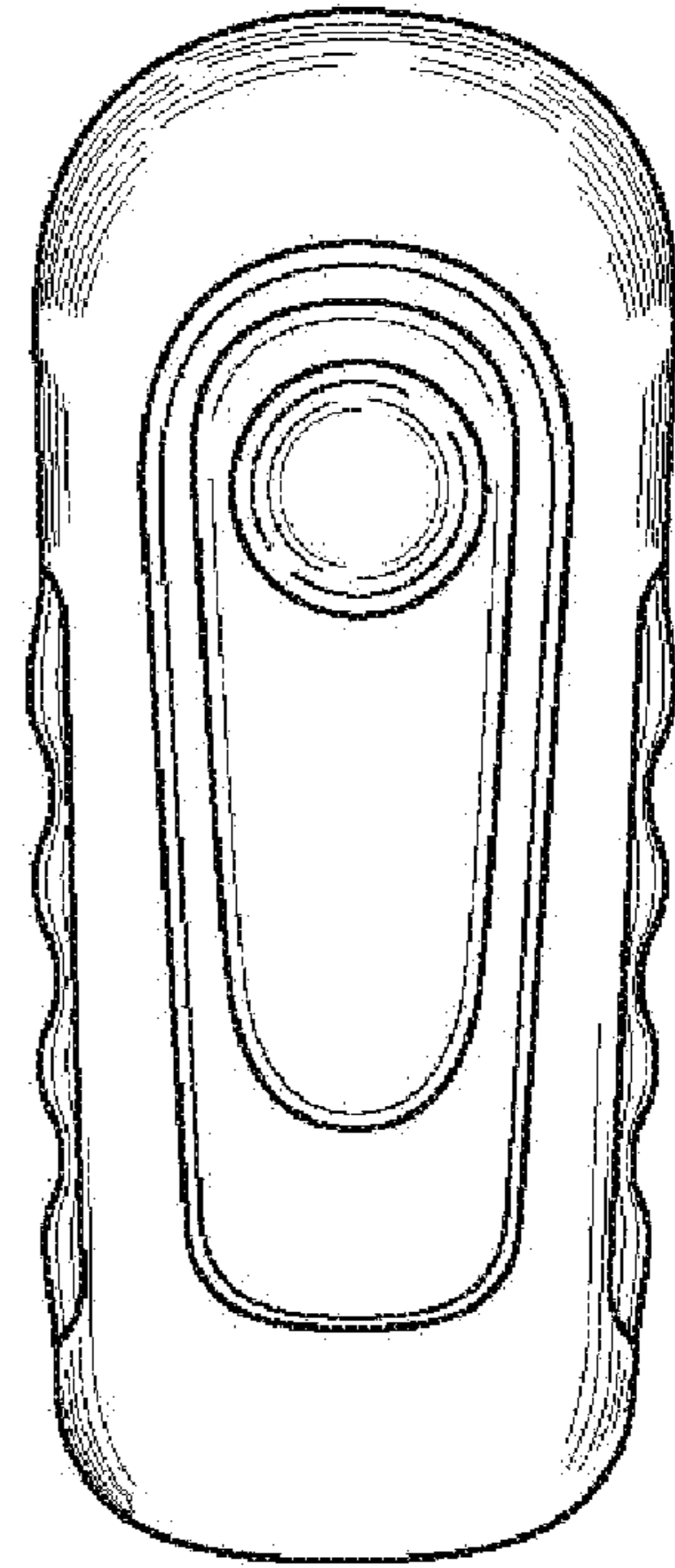


FIG. 6

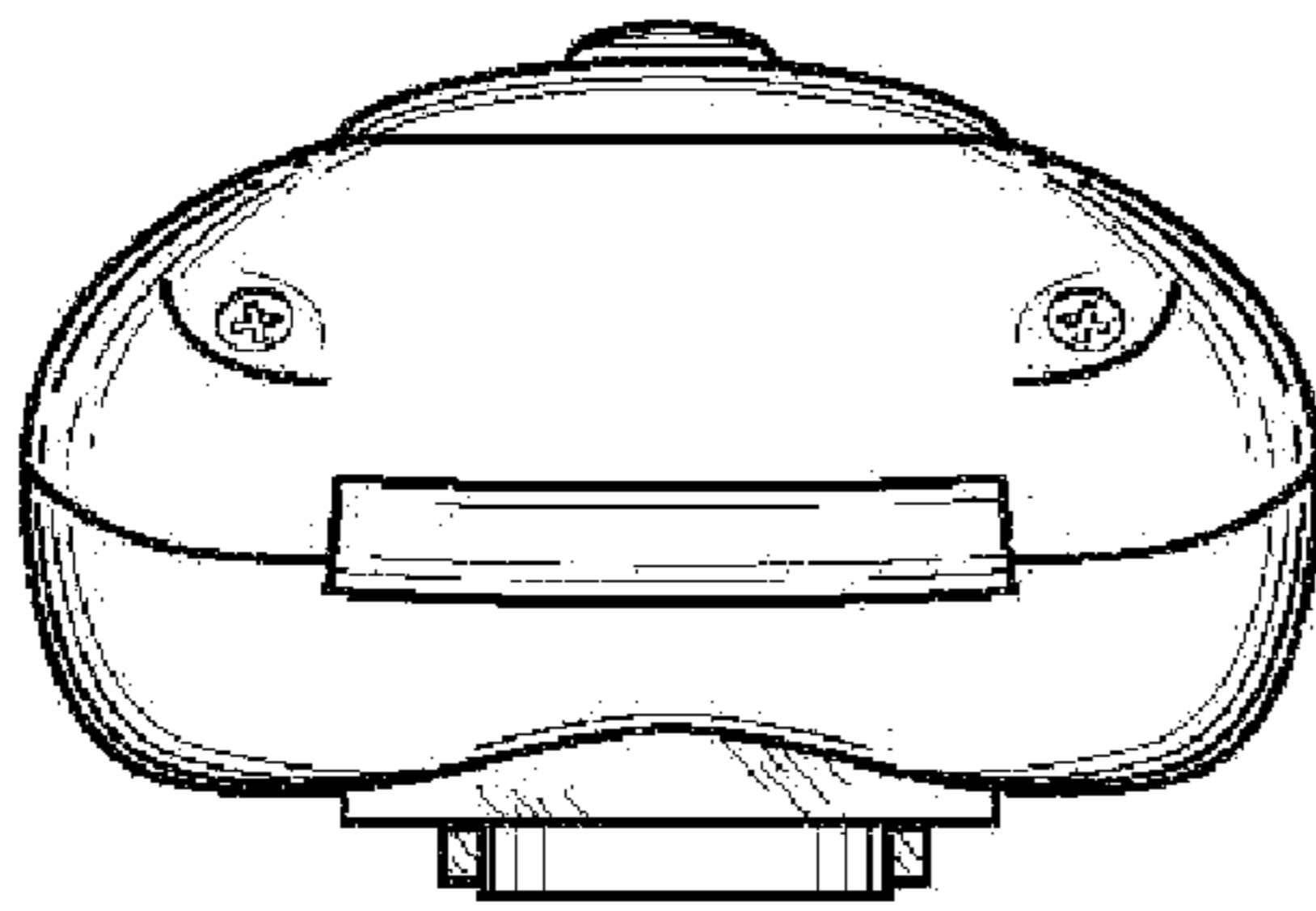


FIG. 7

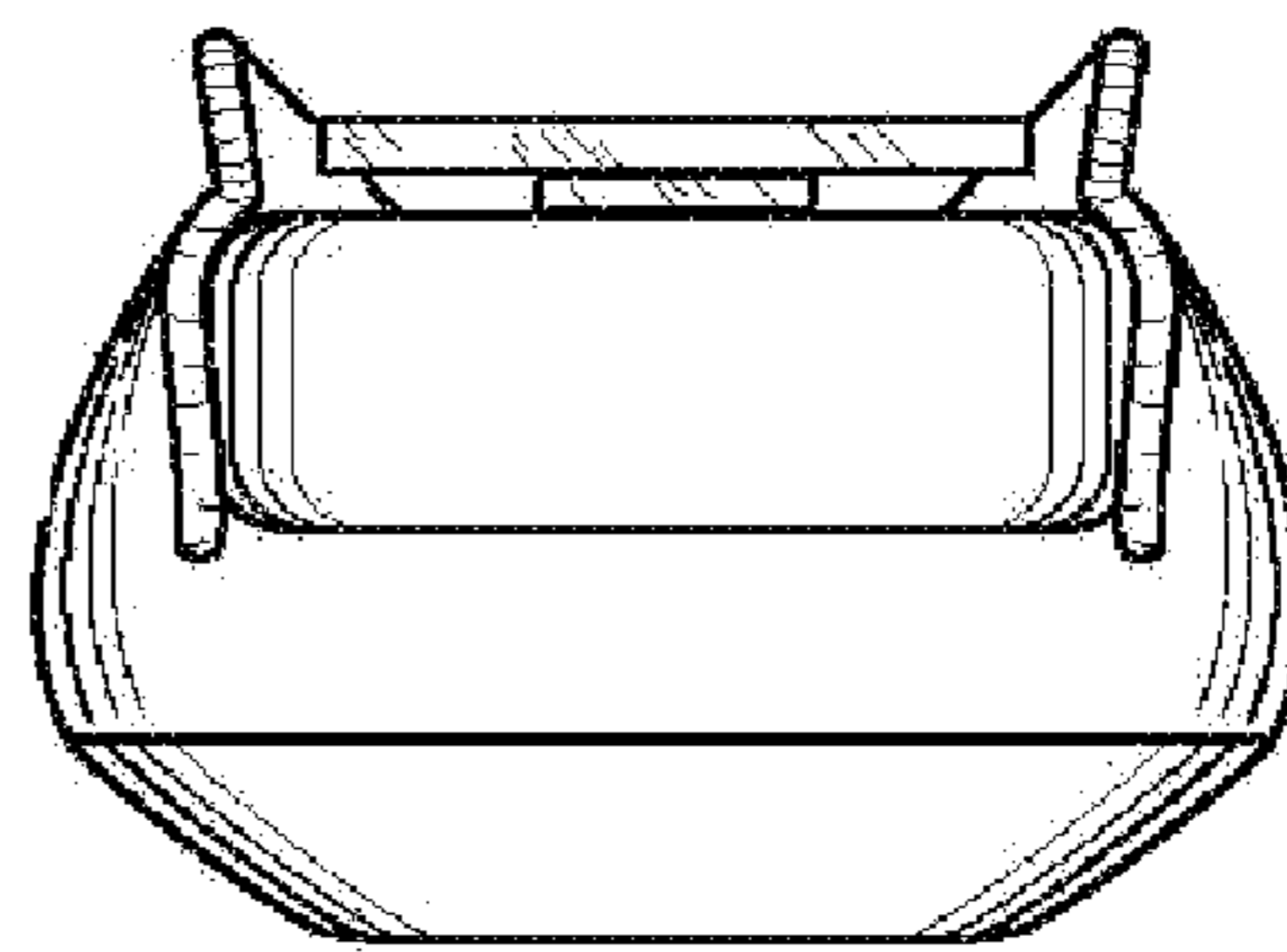


FIG. 8