



US00D557352S

(12) **United States Design Patent**  
**Parein**

(10) **Patent No.:** **US D557,352 S**

(45) **Date of Patent:** **\*\* Dec. 11, 2007**

(54) **TOY ELEMENT**

D470,197 S \* 2/2003 Manville ..... D21/503

(76) **Inventor:** **Eric Parein**, Boomsesteenweg 259 bus  
8, 2020 Antwerpen (BE)

\* cited by examiner

(\*\*) **Term:** **14 Years**

*Primary Examiner*—Holly H. Baynham

*Assistant Examiner*—Cynthia M. Chin

(74) *Attorney, Agent, or Firm*—Kirschstein, et al.

(21) **Appl. No.:** **29/263,401**

(22) **Filed:** **Jul. 21, 2006**

(57) **CLAIM**

The ornamental design for a toy element, as shown and described.

(51) **LOC (8) Cl.** ..... **21-01**

(52) **U.S. Cl.** ..... **D21/484**

(58) **Field of Classification Search** ..... D21/484–505;  
D25/113–118; 446/69, 85, 101–128  
See application file for complete search history.

**DESCRIPTION**

FIG. 1 is a front elevational view of a toy element according to my new design, the rear elevational view having a mirror image;

FIG. 2 is a right side elevational view thereof, the left side elevational view being a mirror image; and,

FIG. 3 is a top plan view thereof, the bottom plan view being a mirror image.

(56) **References Cited**

**U.S. PATENT DOCUMENTS**

- D208,789 S \* 10/1967 Kuha ..... D21/503
- D246,470 S \* 11/1977 Sato ..... D25/118
- D344,301 S \* 2/1994 Berggreen ..... D21/484
- 6,116,981 A \* 9/2000 Zheng ..... 446/106
- D437,622 S \* 2/2001 Chang ..... D21/501

**1 Claim, 1 Drawing Sheet**

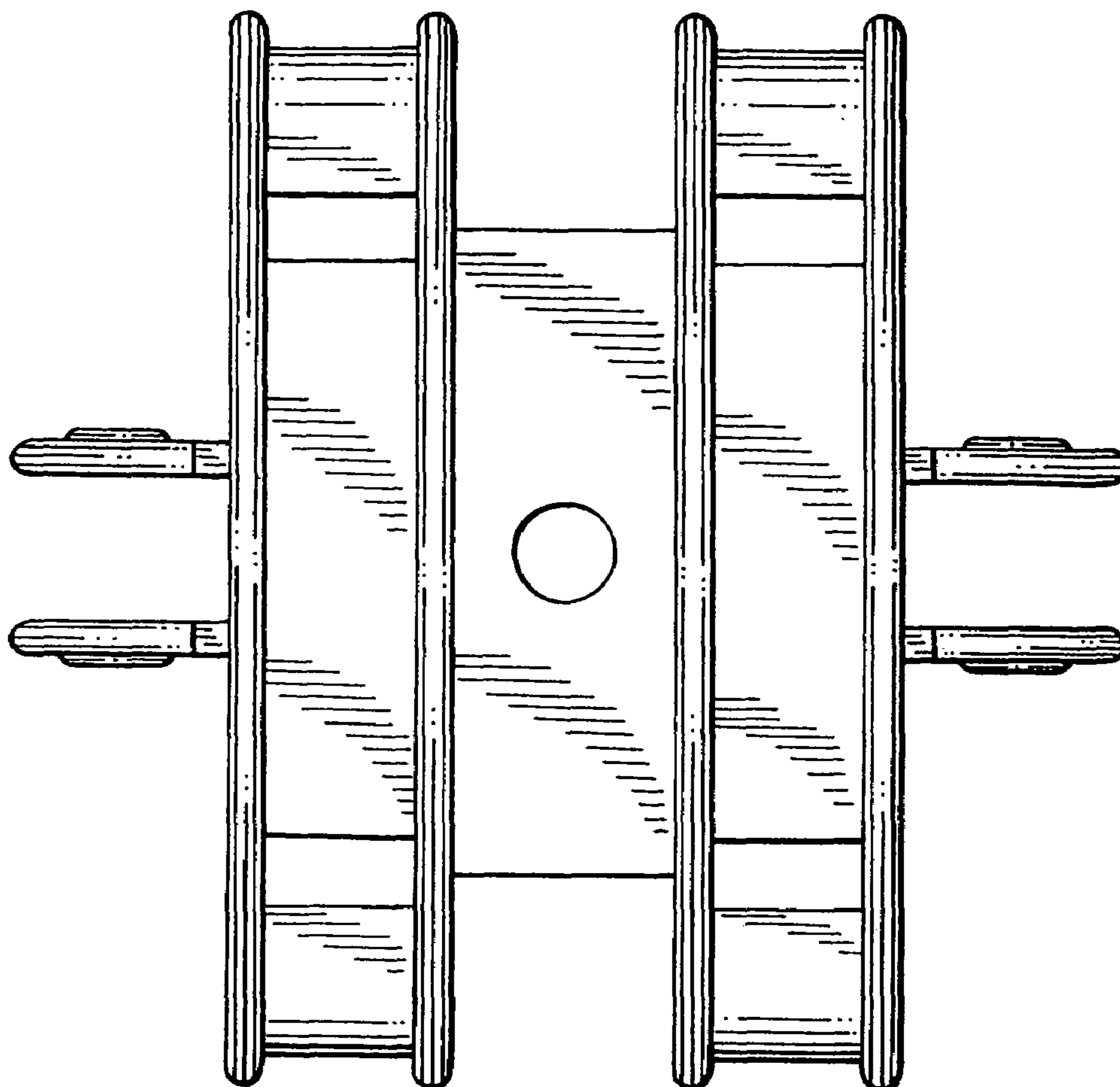


FIG. 1

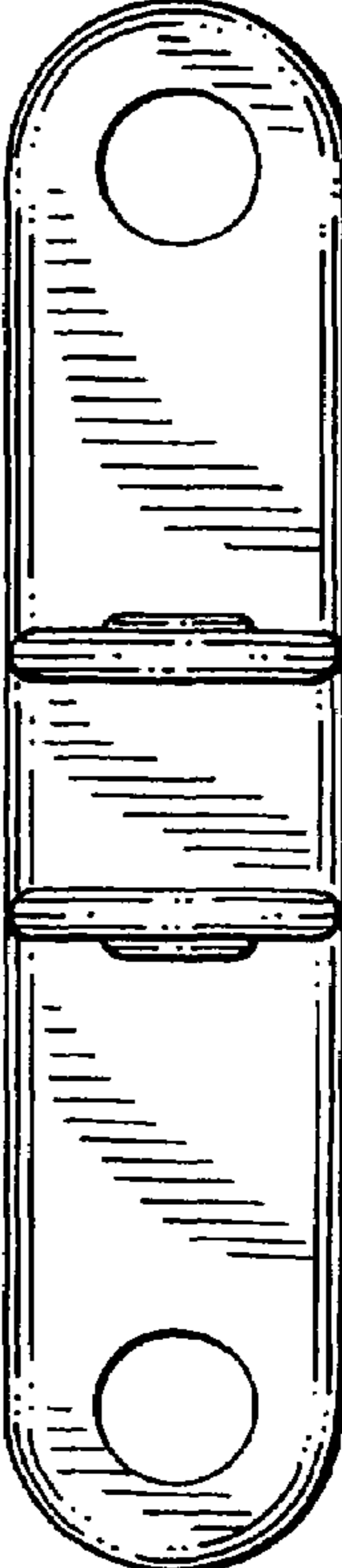
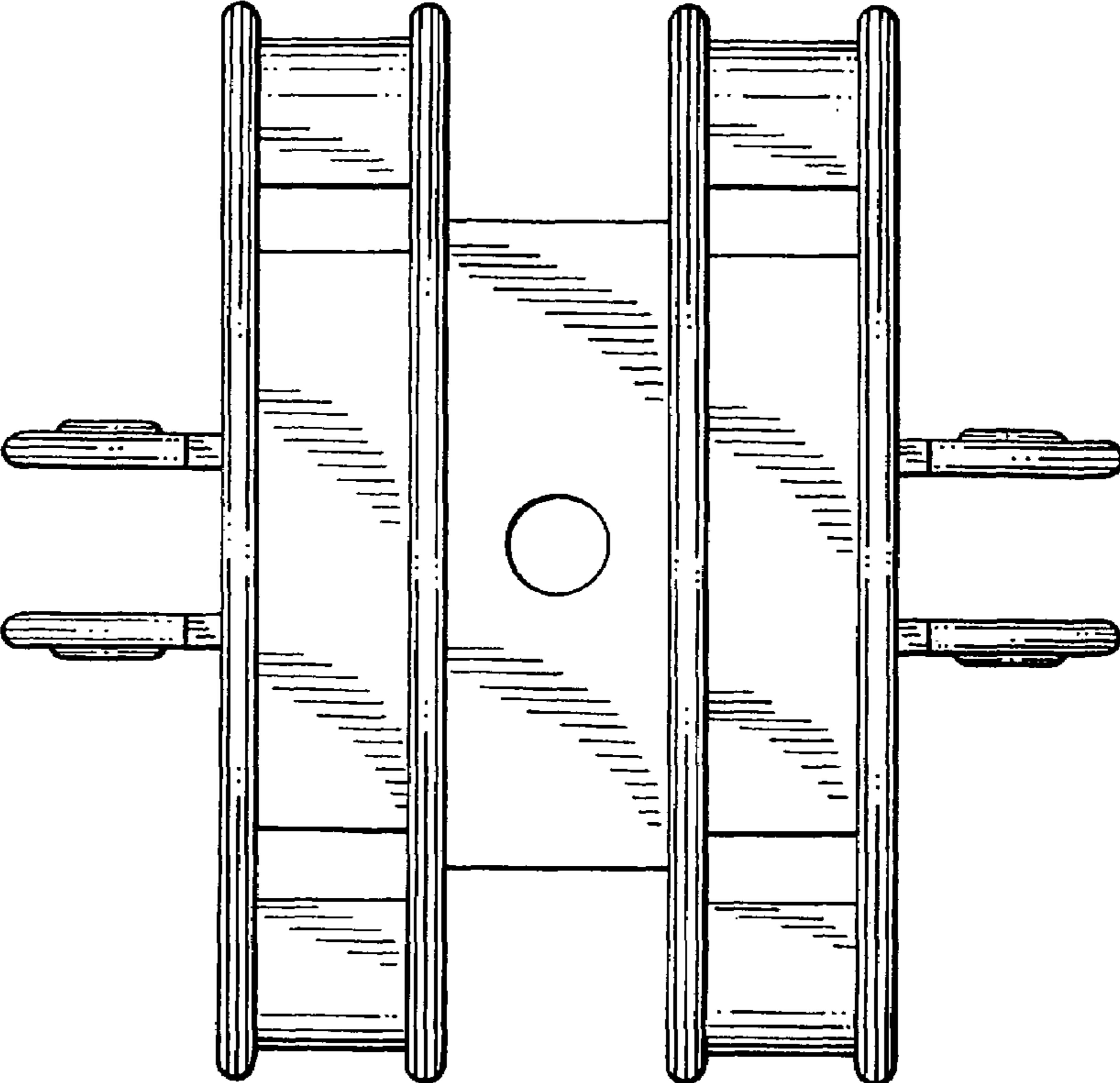


FIG. 2

FIG. 3

