



US00D557347S

(12) **United States Design Patent**
Nishimoto

(10) **Patent No.:** **US D557,347 S**

(45) **Date of Patent:** **** Dec. 11, 2007**

(54) **MAT TYPE CONTROLLER**

(75) Inventor: **Keita Nishimoto**, Shiga (JP)

(73) Assignee: **SDD Company Limited**, Shiga (JP)

(**) Term: **14 Years**

(21) Appl. No.: **29/233,275**

(22) Filed: **Jun. 30, 2005**

(30) **Foreign Application Priority Data**

Jan. 4, 2005 (JP) 2005-000021

(51) **LOC (8) Cl.** **21-01**

(52) **U.S. Cl.** **D21/333; D21/325; D14/496**

(58) **Field of Classification Search** D21/324-327,
D21/333; D14/356, 454, 432, 496, 299;
273/148 B, 148 A; 463/1, 46, 47; 345/156,
345/903; 482/1, 8

See application file for complete search history.

(56) **References Cited**

U.S. PATENT DOCUMENTS

D355,412 S *	2/1995	Rak et al.	D14/242
6,100,115 A *	8/2000	Murakami et al.	438/127
6,110,073 A *	8/2000	Saur et al.	482/8
D431,267 S *	9/2000	Nishimura et al.	D21/333
D435,868 S *	1/2001	Muraki et al.	D21/325
D455,791 S *	4/2002	Nakahara et al.	D21/325
D460,492 S *	7/2002	Muraki et al.	D21/325
6,572,108 B1 *	6/2003	Bristow 273/148 B	
6,708,961 B2 *	3/2004	Ferber et al.	261/122.1
7,008,129 B2 *	3/2006	McNally et al.	400/578
7,055,948 B2 *	6/2006	McNally et al.	347/104

7,177,187 B2 * 2/2007 Ishii 365/185.04

* cited by examiner

Primary Examiner—Prabhakar Deshmukh

(74) *Attorney, Agent, or Firm*—Harness, Dickey & Pierce, P.L.C.

(57) **CLAIM**

The ornamental design for a mat type controller, as shown and described.

DESCRIPTION

FIG. 1 is a perspective view of the front, top and right side of a mat type controller showing my new design;

FIG. 2 is a top plan view thereof;

FIG. 3 is a front view thereof;

FIG. 4 is a left side view thereof;

FIG. 5 is a right side view thereof;

FIG. 6 is a rear side view thereof;

FIG. 7 is a bottom view thereof;

FIG. 8 is a perspective view of the front, top and right side of a mat type controller according to a second embodiment showing my new design;

FIG. 9 is a top plan view thereof;

FIG. 10 is a front view thereof;

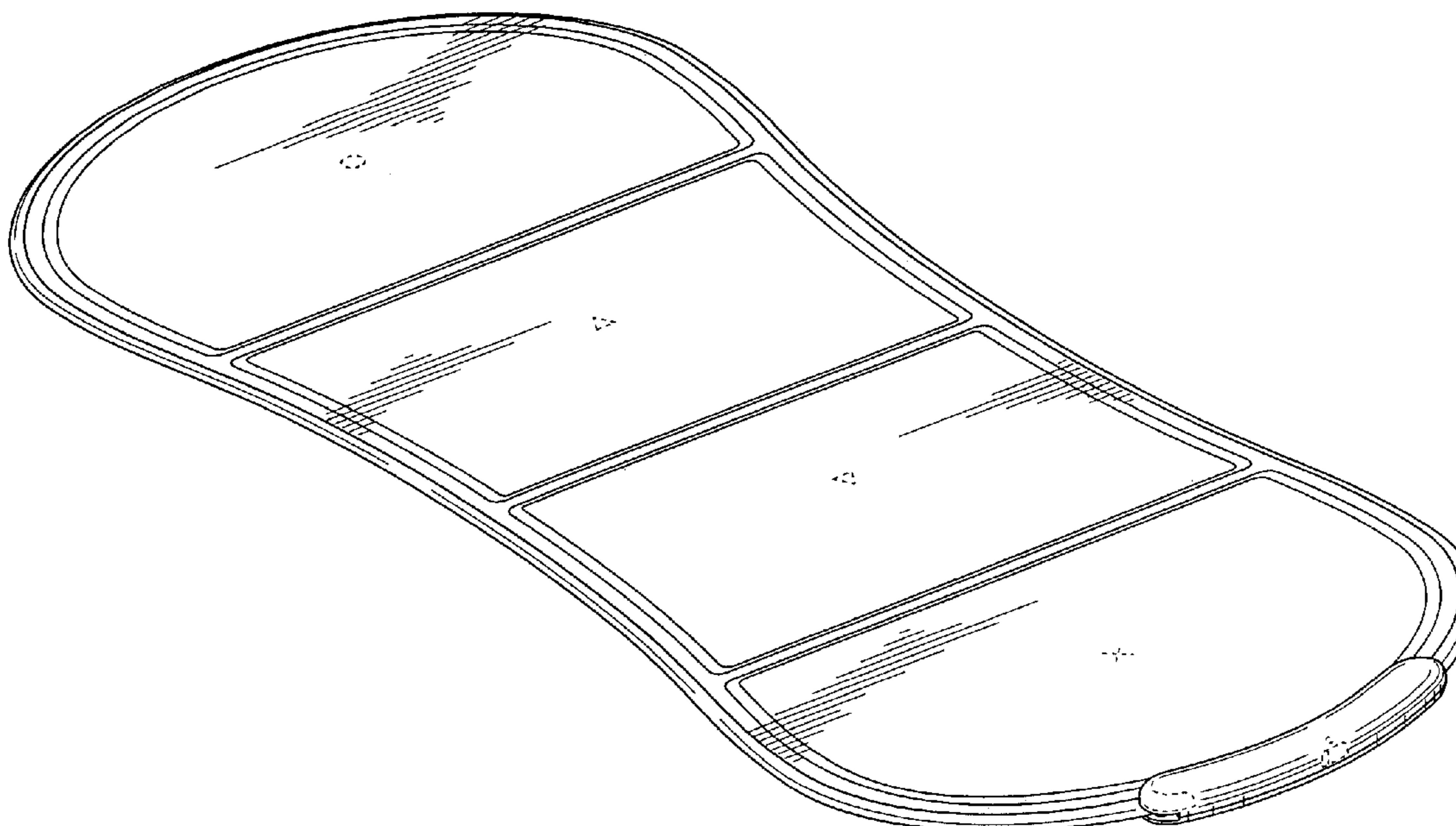
FIG. 11 is a left side view thereof;

FIG. 12 is a right side view thereof;

FIG. 13 is a rear side view thereof; and,

FIG. 14 is a bottom view thereof.

1 Claim, 8 Drawing Sheets



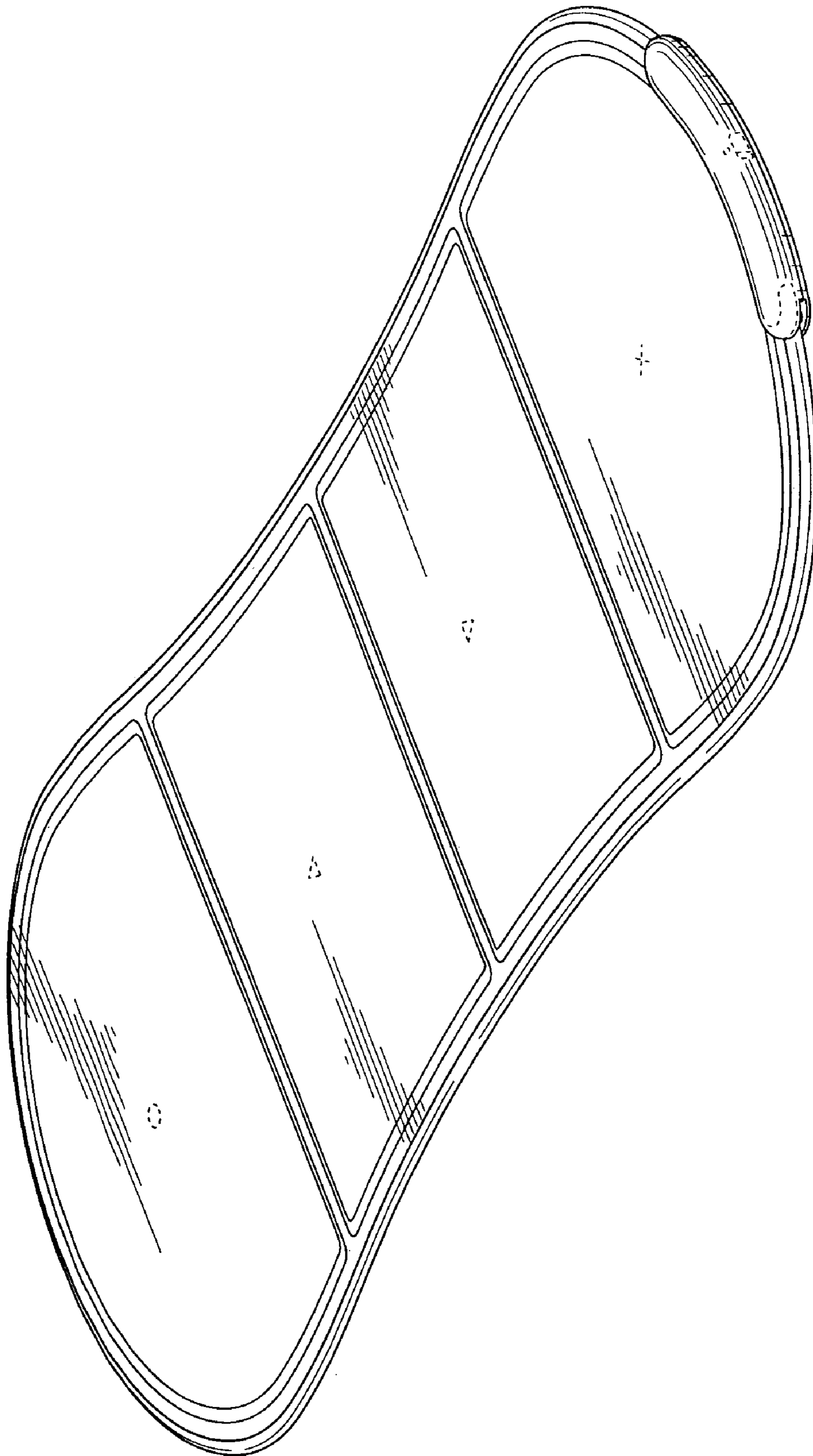


FIG. 1

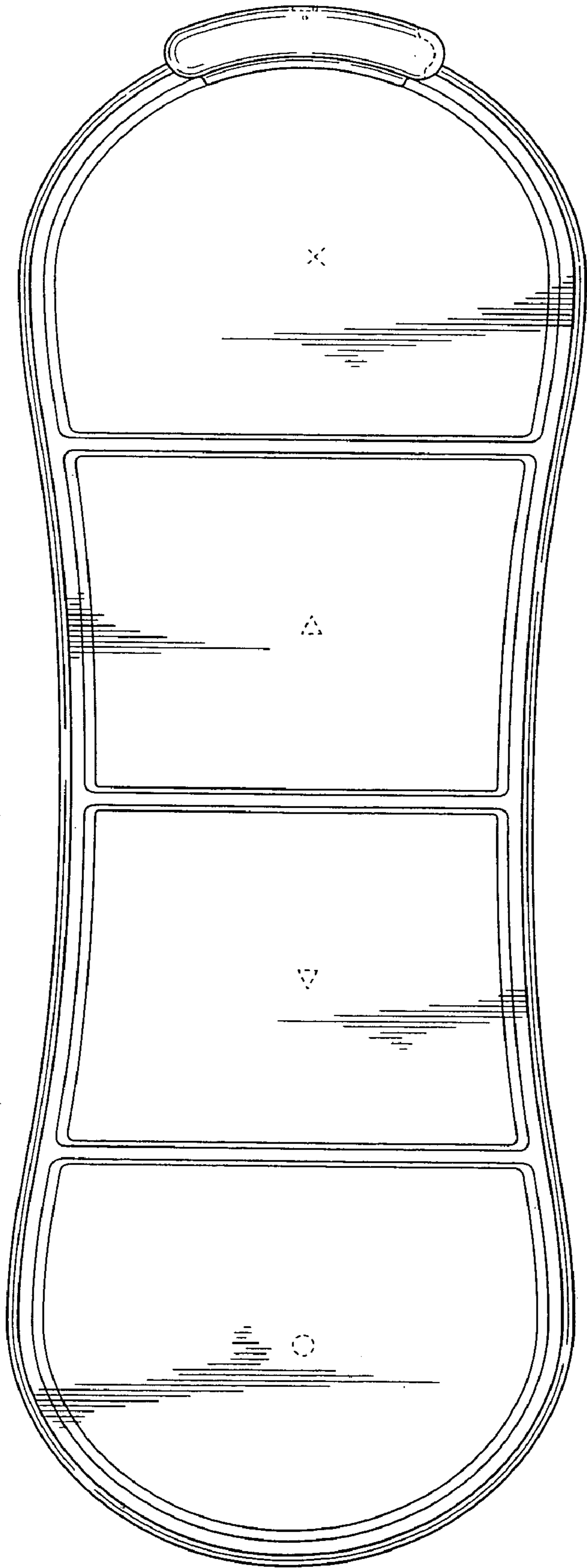


FIG. 2



FIG. 3

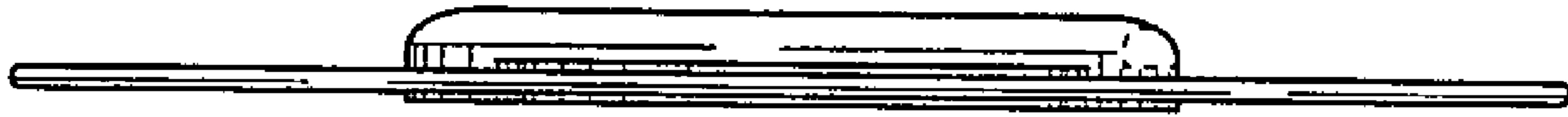


FIG. 4



FIG. 5

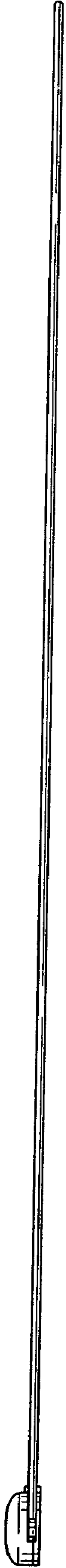


FIG. 6

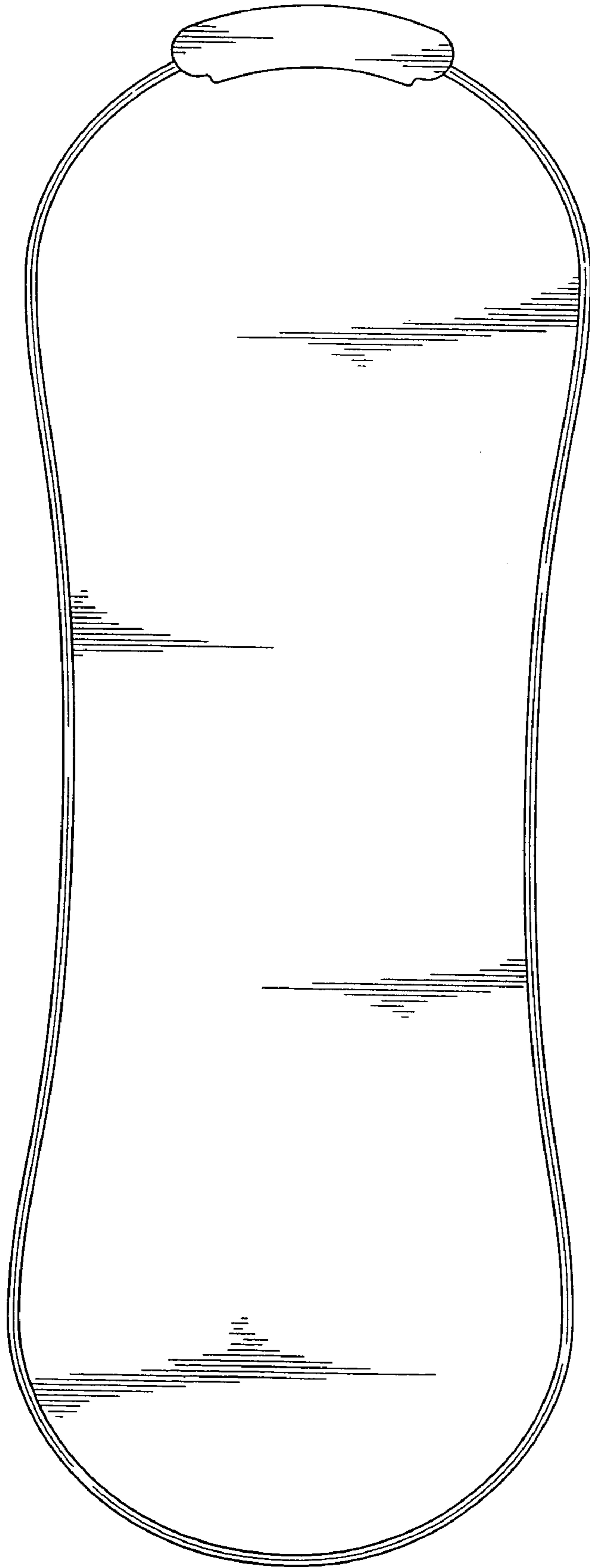


FIG. 7

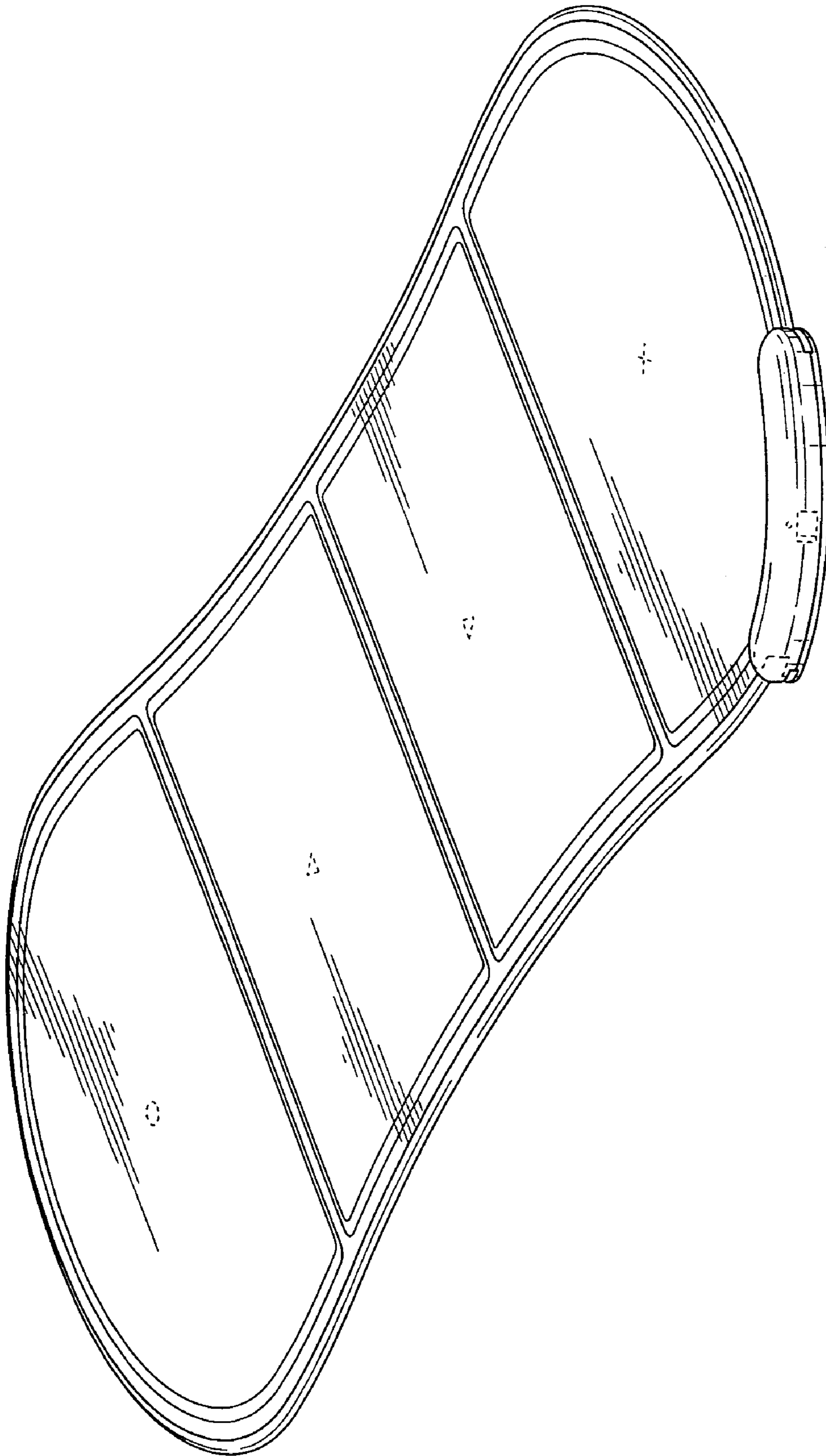


FIG. 8

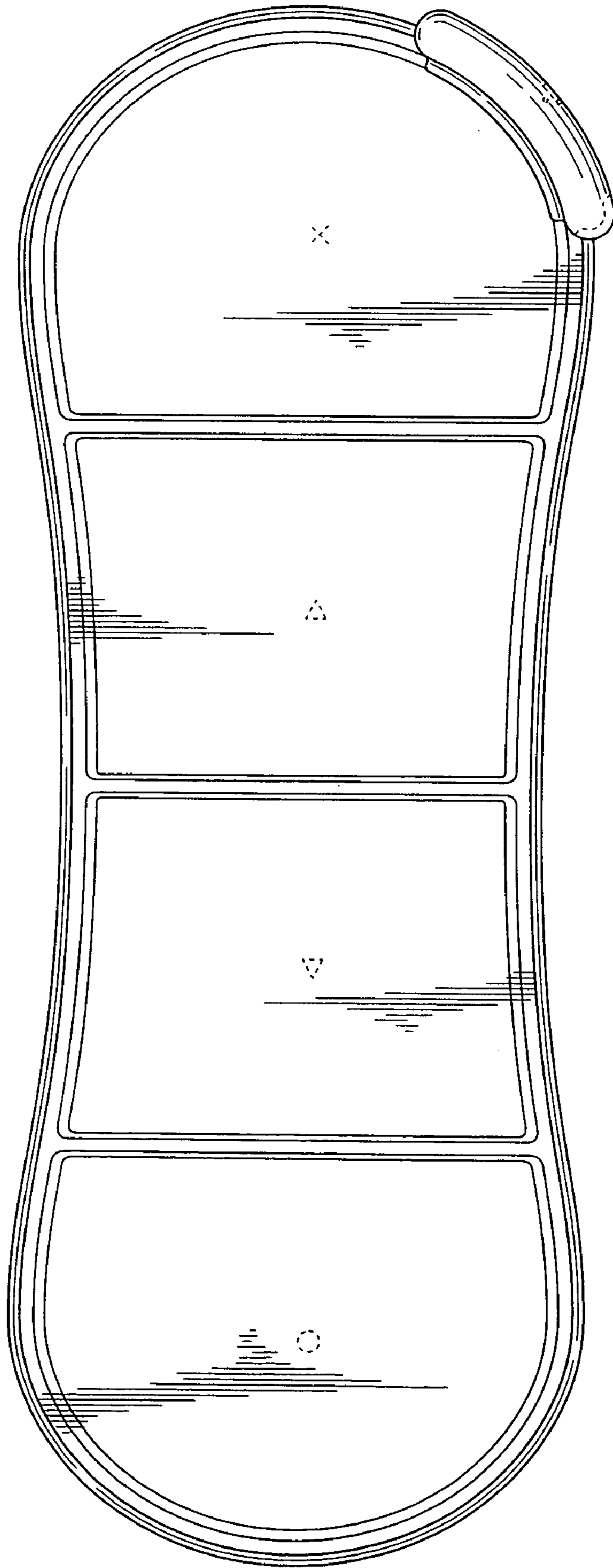


FIG. 9

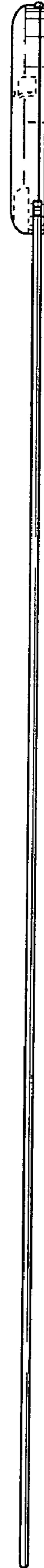


FIG. 10

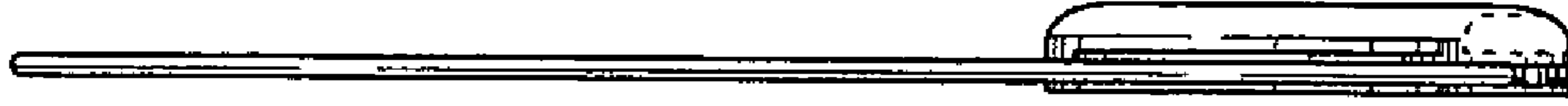


FIG. 11



FIG. 12

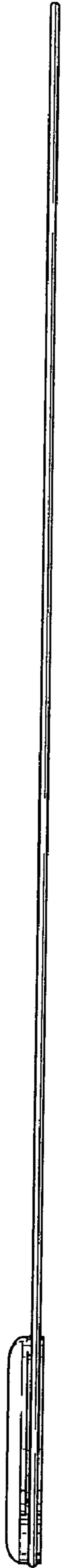


FIG. 13

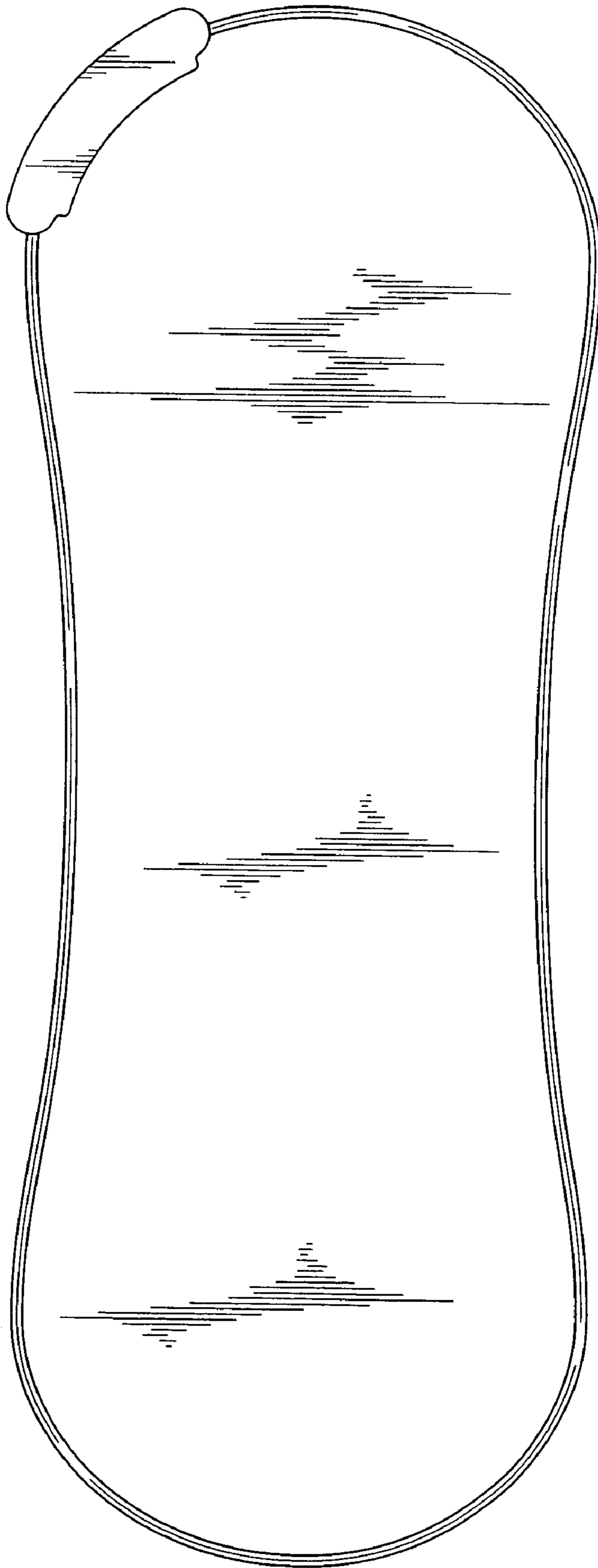


FIG. 14