



US00D557344S

(12) **United States Design Patent**
Johnson

(10) **Patent No.:** **US D557,344 S**

(45) **Date of Patent:** **** Dec. 11, 2007**

(54) **SIGN STAND**

(75) Inventor: **Jeffrey D. Johnson**, Phoenix, AZ (US)

(73) Assignee: **Trafficade Service, Inc.**, Phoenix, AZ (US)

(**) Term: **14 Years**

(21) Appl. No.: **29/261,095**

(22) Filed: **Jun. 6, 2006**

(51) **LOC (8) Cl.** **20-02**

(52) **U.S. Cl.** **D20/41; D20/19**

(58) **Field of Classification Search** D20/10, D20/17, 19, 41, 43, 99; 40/214, 492, 598, 40/603, 606.1, 607.01-607.06, 607.1, 608, 40/610, 612, 642.02; 362/362, 382, 431, 362/812; 248/171, 469, 472; D10/109; 116/63 P; D26/51; 404/10; 340/908
See application file for complete search history.

(56) **References Cited**

U.S. PATENT DOCUMENTS

- 1,370,697 A * 3/1921 Mann 40/608
- 2,564,145 A * 8/1951 Beall et al. 340/908
- 3,143,817 A * 8/1964 Paulson 40/607.06
- 3,697,738 A * 10/1972 Decker et al. 362/382
- 3,892,081 A * 7/1975 Goral 40/214
- 4,019,271 A * 4/1977 Latimer 40/603
- 4,080,924 A * 3/1978 LeClaire 116/28 R
- 4,117,455 A * 9/1978 Cervantes 340/908

- 4,201,975 A * 5/1980 Marcus 340/908
- 4,253,415 A * 3/1981 Ferch 116/63 P
- 4,318,238 A * 3/1982 Macarle, Jr. 40/492
- 4,341,488 A * 7/1982 Ryan 404/10
- D393,489 S * 4/1998 Tobor D20/41
- 6,035,567 A * 3/2000 Cameron 40/607.04
- 6,560,906 B1 * 5/2003 Hillstrom 40/607.01
- 2002/0073912 A1 * 6/2002 Kuo 116/63 P

* cited by examiner

Primary Examiner—Robert M. Spear

Assistant Examiner—Mary Ann Calabrese

(74) *Attorney, Agent, or Firm*—Gregory J. Nelson

(57) **CLAIM**

I claim the ornamental design for a sign stand, as shown and described.

DESCRIPTION

FIG. 1 is a perspective view showing the sign stand of our design with a representative sign shown in dotted lines, the sign forming no part of the design;

FIG. 2 is an enlarged front view thereof;

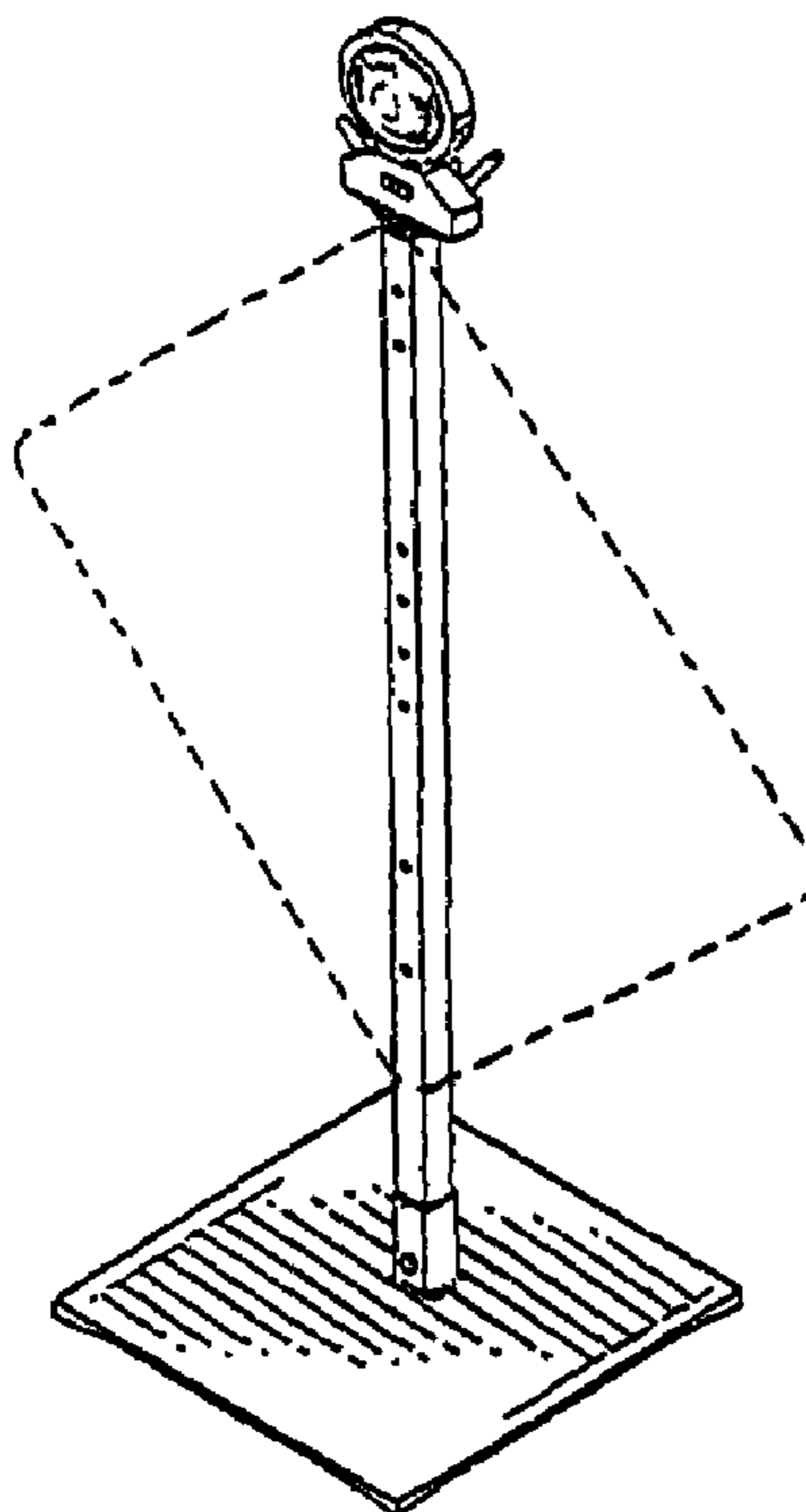
FIG. 3 is a left side view of the right side view being a mirror image thereof;

FIG. 4 is a top view; and,

FIG. 5 is a bottom view.

In the drawings, the broken lines represent environmental structure forming no part of the claimed design.

1 Claim, 1 Drawing Sheet



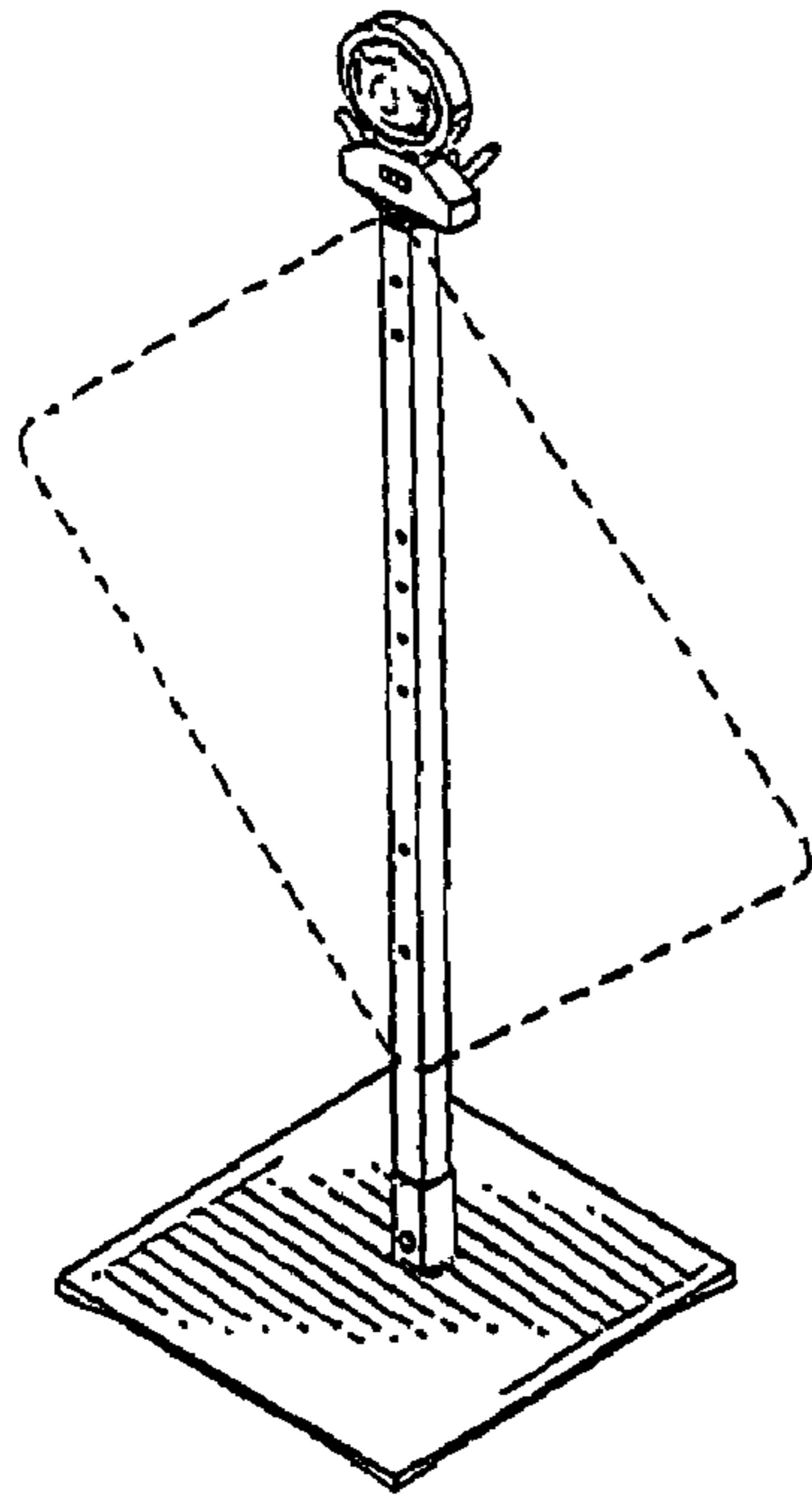


FIG. 1.

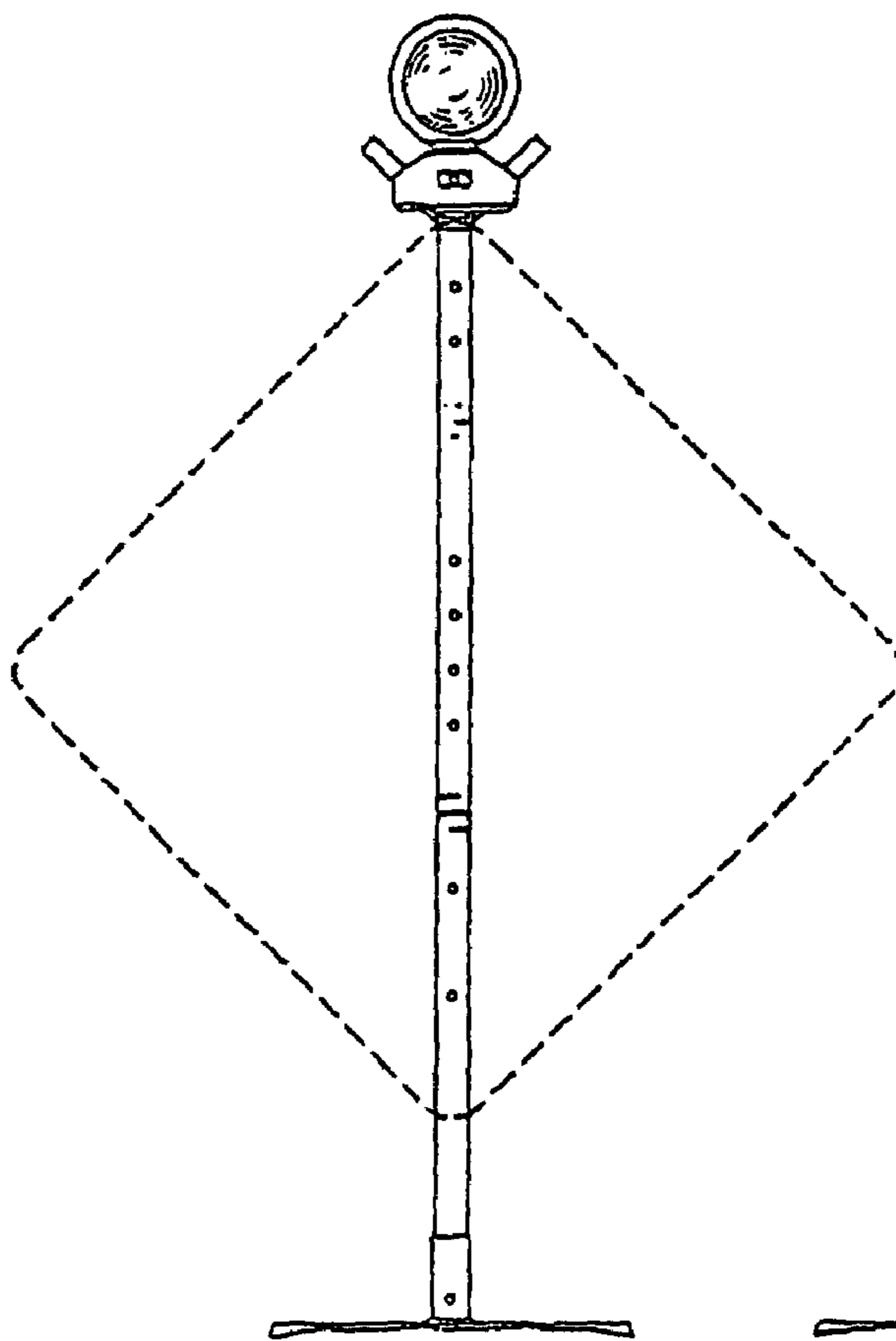


FIG. 2.

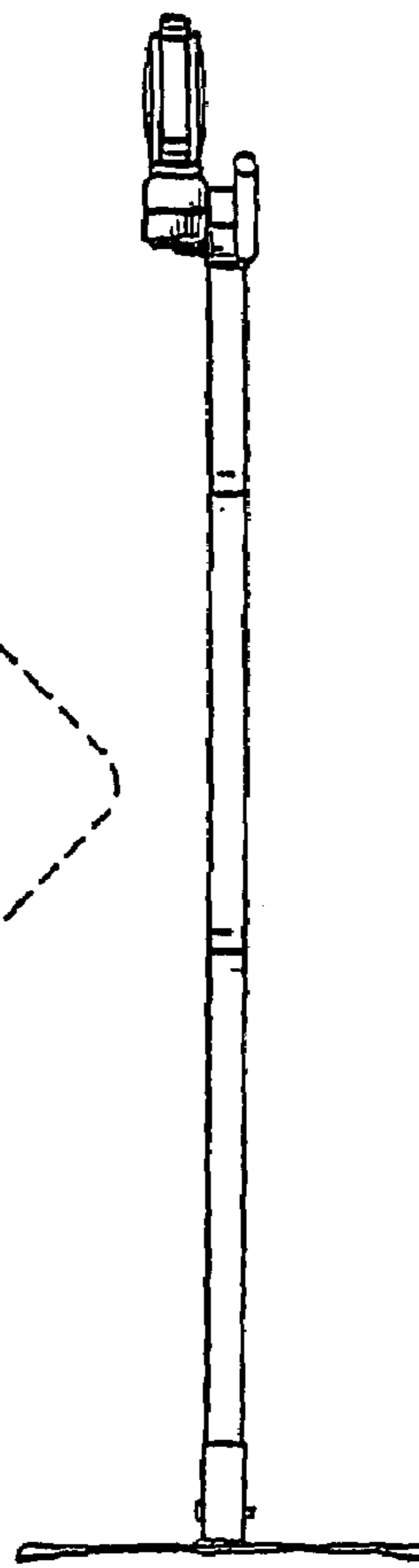


FIG. 3.

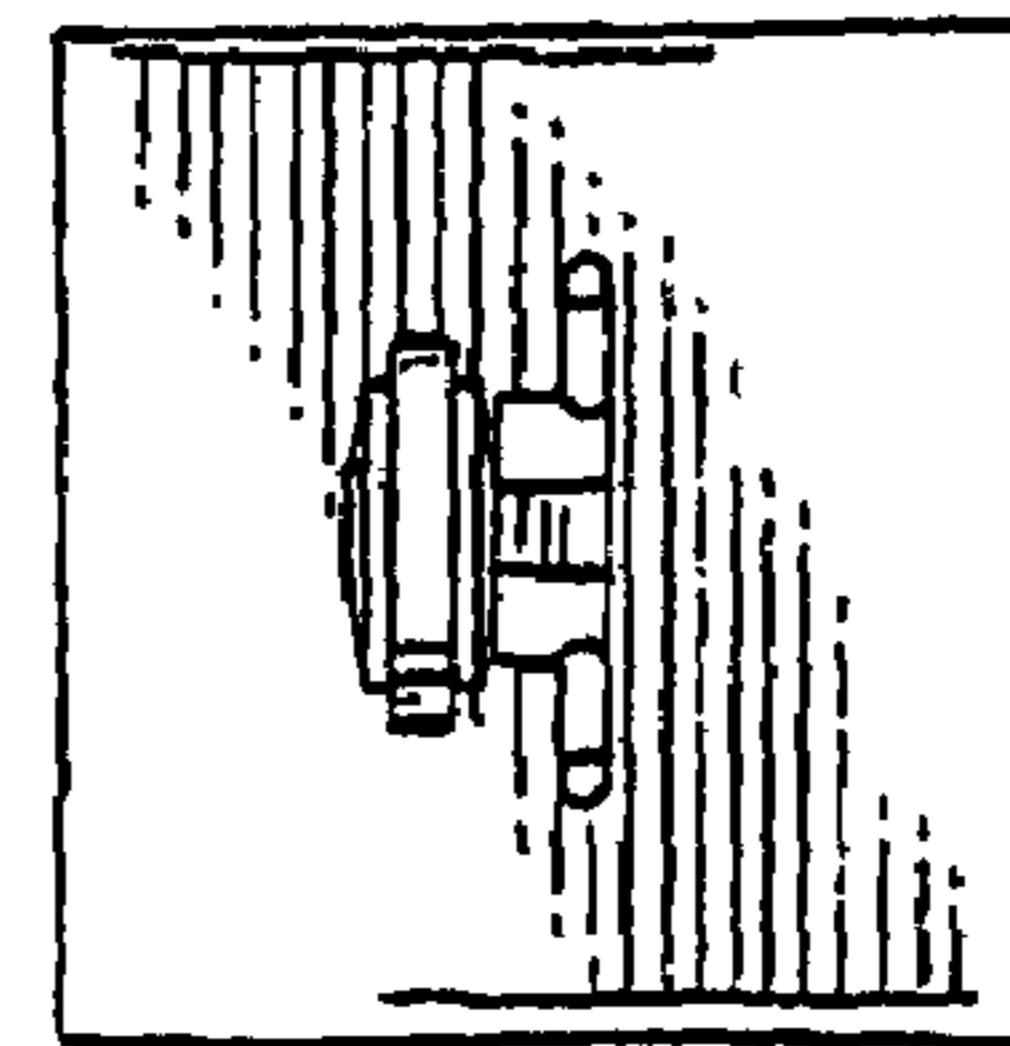


FIG. 4.

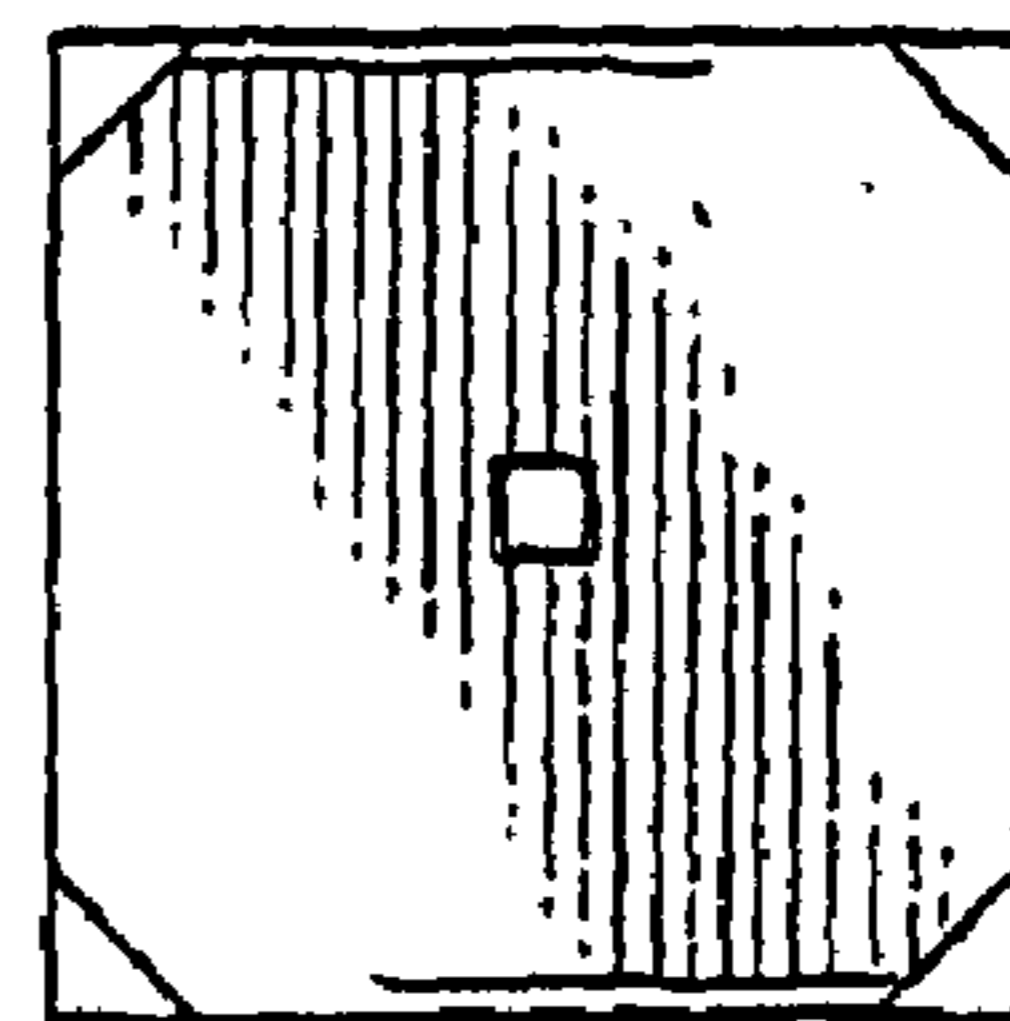


FIG. 5.