



US00D557335S

(12) **United States Design Patent**
Morino

(10) **Patent No.:** **US D557,335 S**

(45) **Date of Patent:** **** Dec. 11, 2007**

(54) **CARTRIDGE FOR AN INKJET PRINTER**

(75) Inventor: **Tetsu Morino**, Kanagawa (JP)

(73) Assignee: **Ricoh Company, Ltd.**, Tokyo (JP)

(**) Term: **14 Years**

(21) Appl. No.: **29/261,316**

(22) Filed: **Jun. 13, 2006**

(30) **Foreign Application Priority Data**

Dec. 13, 2005 (JP) 2005-036707

(51) **LOC (8) Cl.** **18-02**

(52) **U.S. Cl.** **D18/56**

(58) **Field of Classification Search** D18/40,
D18/43, 56; D14/487; 347/10, 29, 33, 49-50,
347/71-72, 86-87

See application file for complete search history.

(56) **References Cited**

U.S. PATENT DOCUMENTS

- D423,568 S * 4/2000 Inoue et al. D18/56
- D424,612 S * 5/2000 Inoue et al. D18/56
- D438,560 S * 3/2001 Inoue et al. D18/56
- D453,184 S * 1/2002 Ito et al. D18/56
- D456,836 S * 5/2002 Ito et al. D18/56

- D465,516 S * 11/2002 Shinada et al. D18/56
- D466,151 S * 11/2002 Shinada et al. D18/56
- D469,463 S * 1/2003 Yu et al. D18/56
- 2005/0151811 A1 * 7/2005 Shimizu et al. 347/86

* cited by examiner

Primary Examiner—Cathy Anne MacCormac

(74) *Attorney, Agent, or Firm*—Dickstein Shapiro LLP

(57) **CLAIM**

The ornamental design for a cartridge for an inkjet printer, as shown and described.

DESCRIPTION

FIG. 1 is a front elevation view of a cartridge for an inkjet printer according to the present invention;

FIG. 2 is a rear elevation view thereof;

FIG. 3 is a top plan view thereof;

FIG. 4 is a bottom plan view thereof;

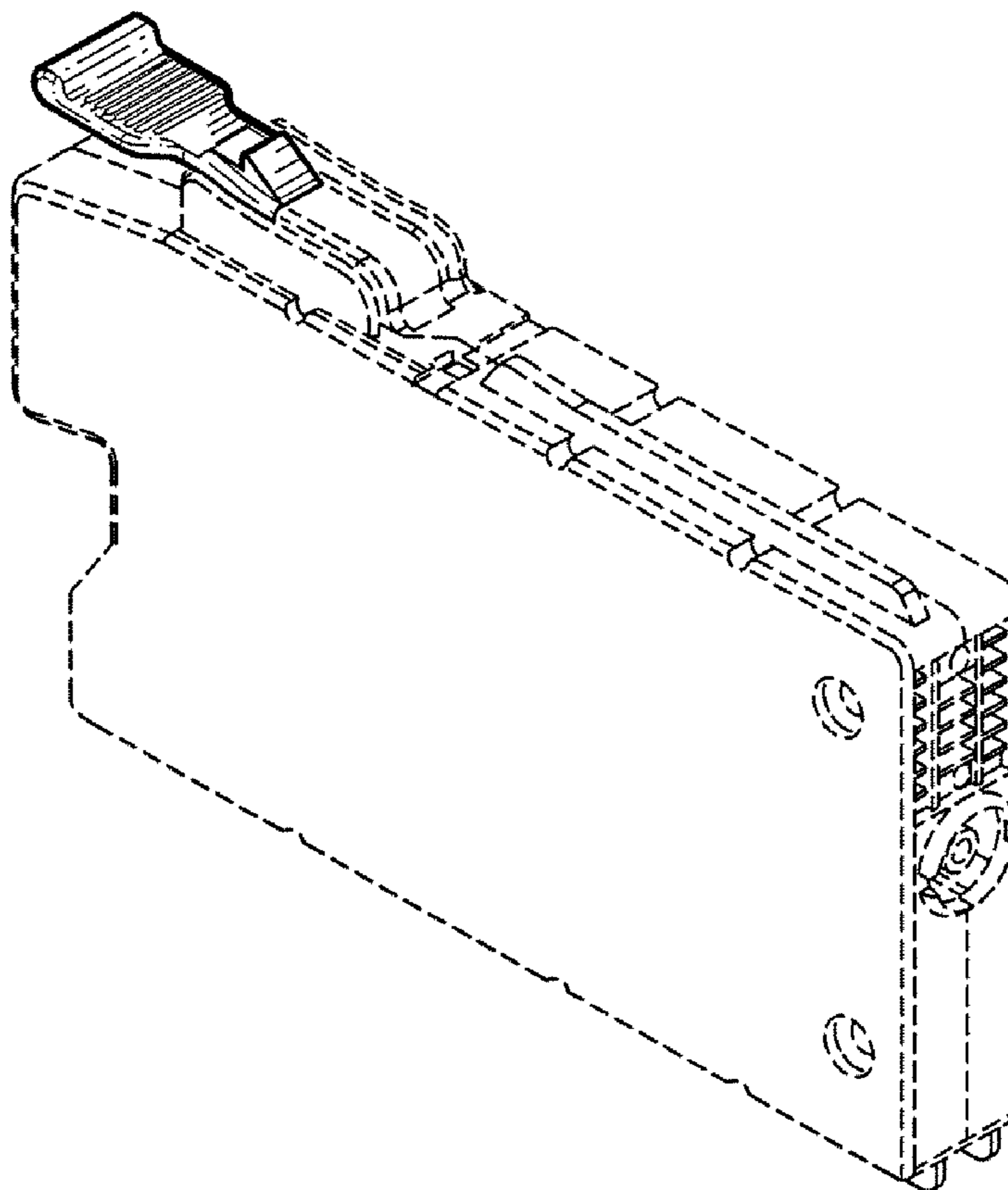
FIG. 5 is a right side elevation view thereof;

FIG. 6 is a left side elevation view thereof; and,

FIG. 7 is a top, front and right side perspective view thereof.

The broken lines are for illustration only and form no part of the claimed design.

1 Claim, 3 Drawing Sheets



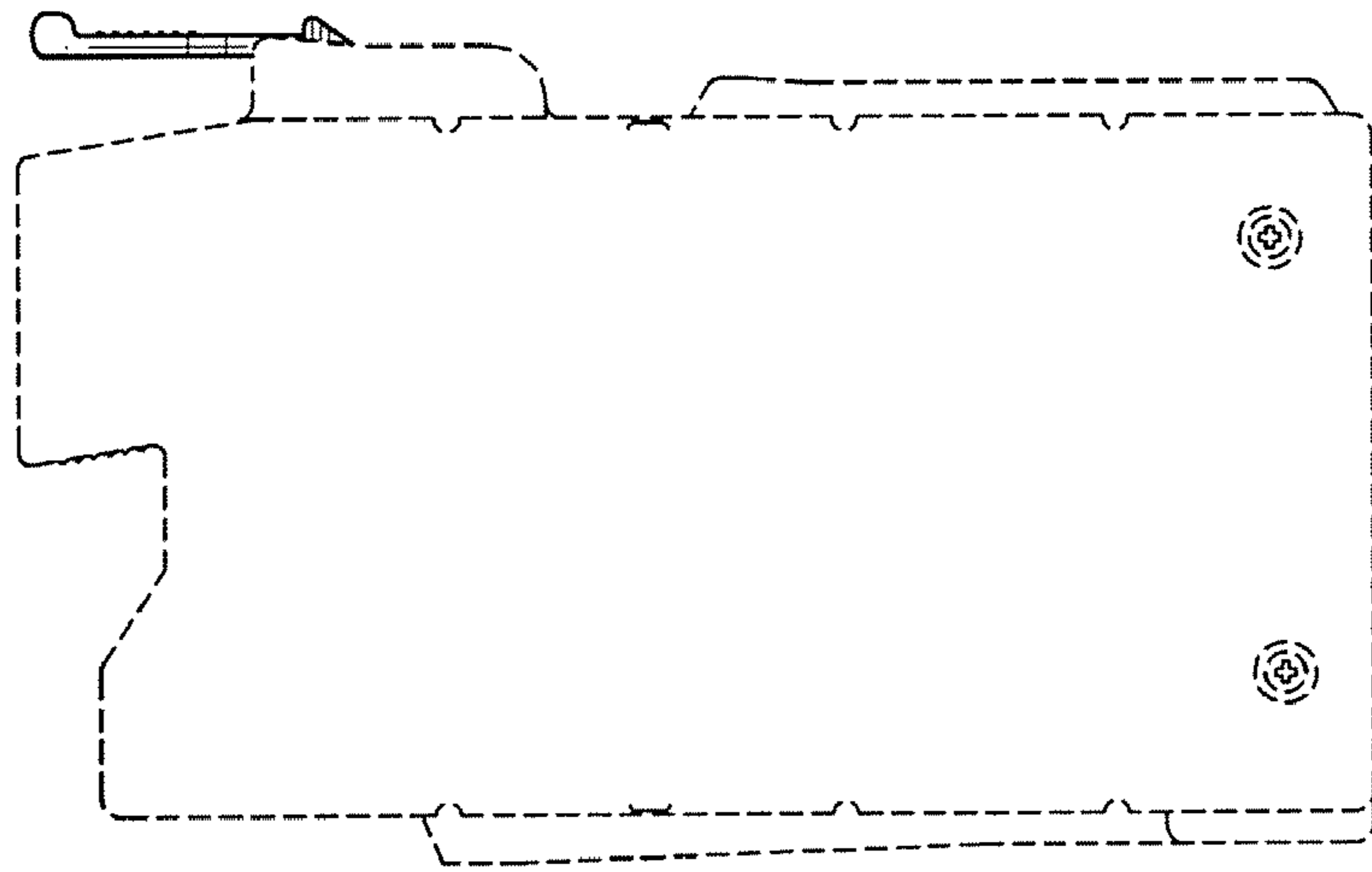


FIG. 1

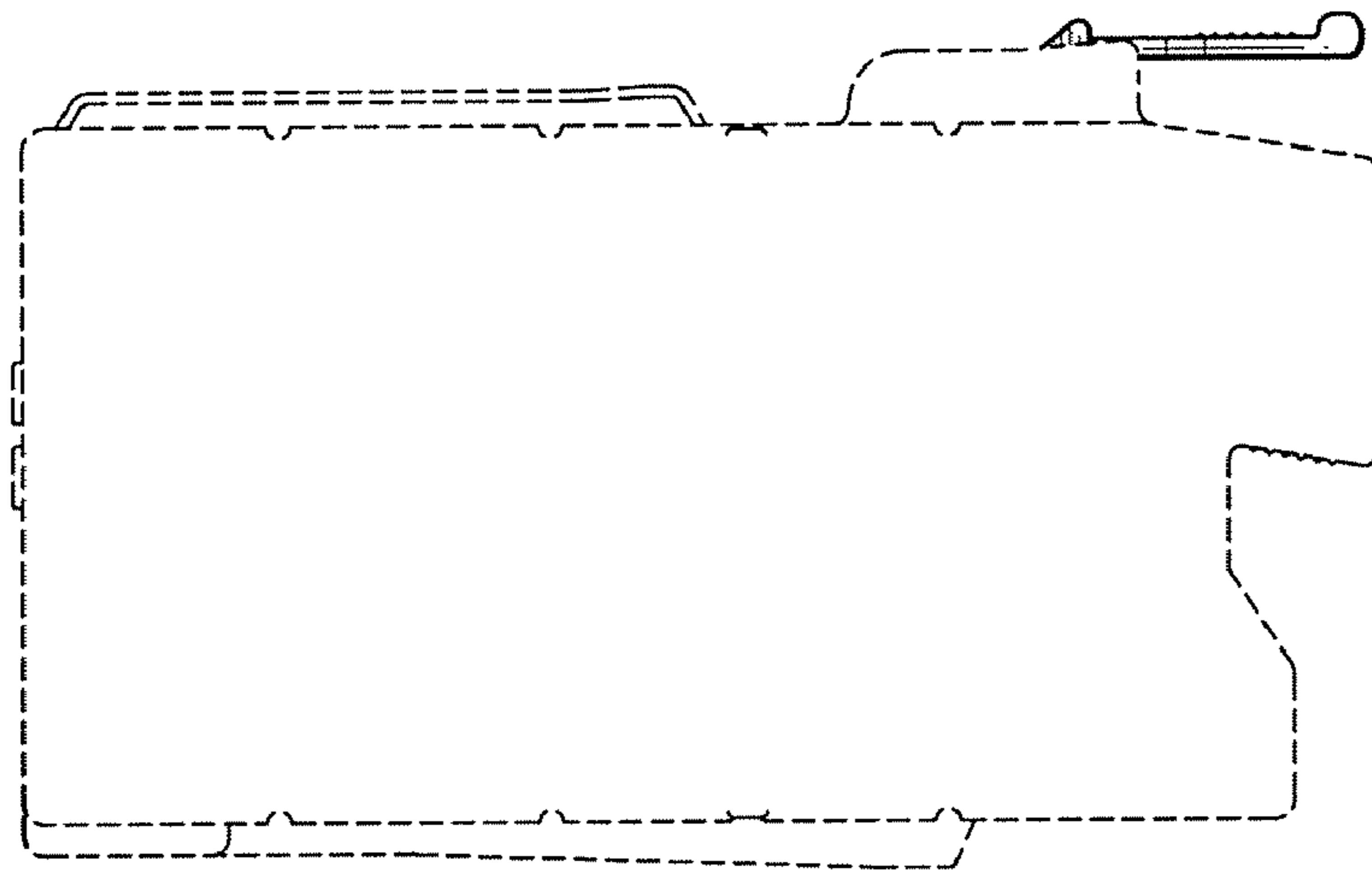


FIG. 2



FIG. 3

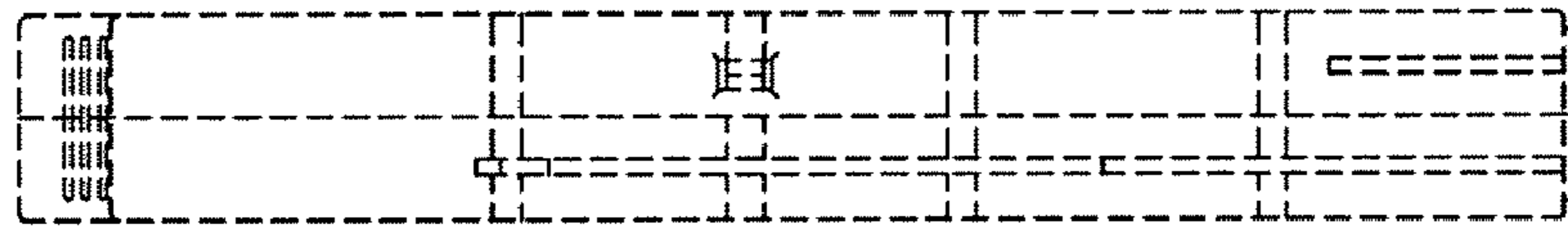


FIG. 4

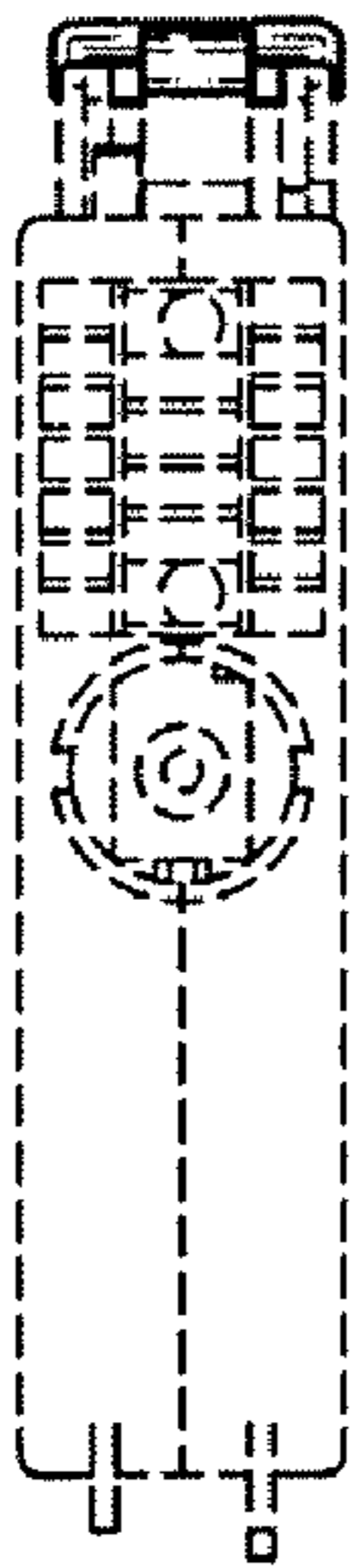


FIG. 5



FIG. 6

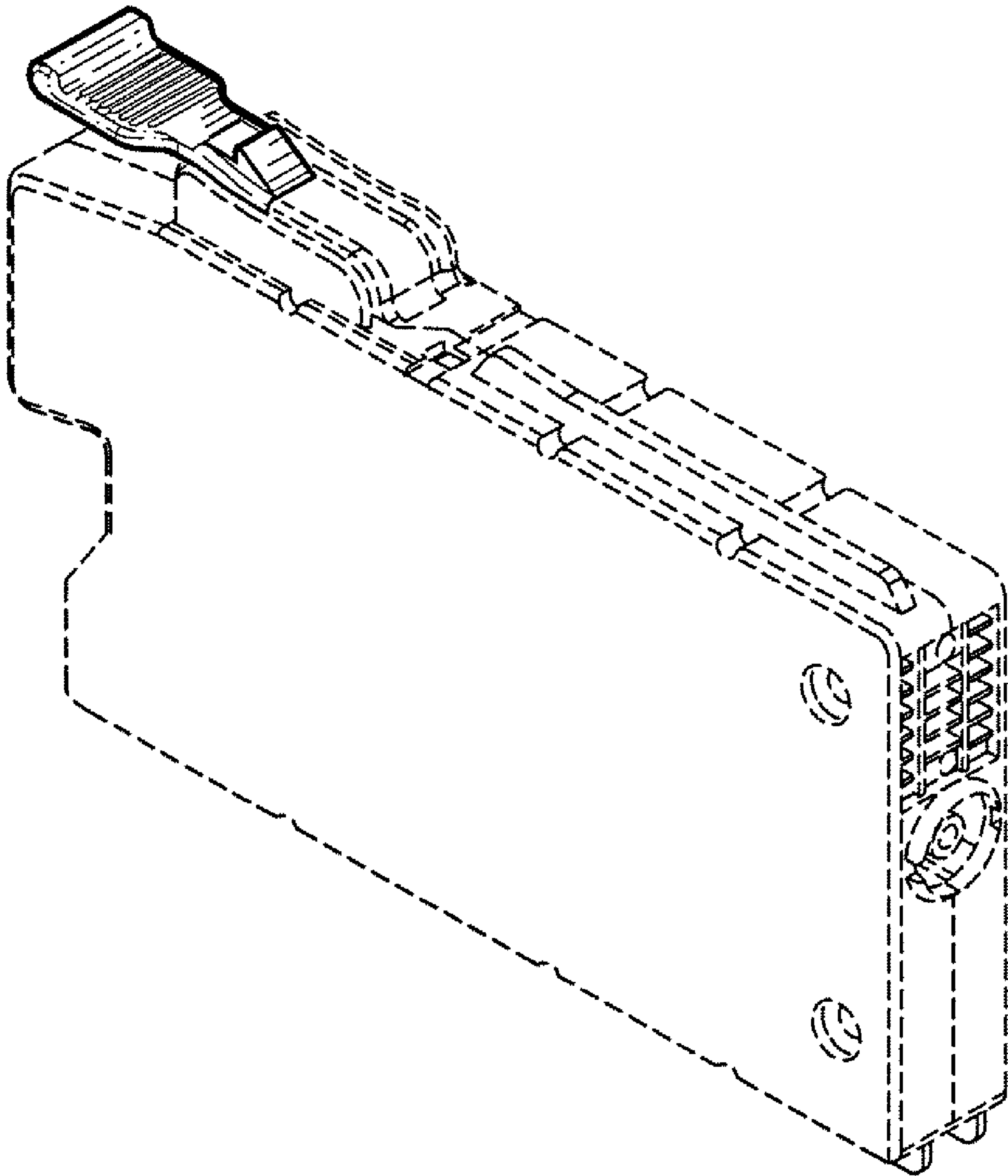


FIG. 7