



US00D557334S

(12) **United States Design Patent**
Morino

(10) **Patent No.:** **US D557,334 S**

(45) **Date of Patent:** **** Dec. 11, 2007**

(54) **CARTRIDGE FOR INKJET PRINTER**

(75) Inventor: **Tetsu Morino**, Kanagawa (JP)

(73) Assignee: **Ricoh Company, Ltd.**, Tokyo (JP)

(**) Term: **14 Years**

(21) Appl. No.: **29/261,315**

(22) Filed: **Jun. 13, 2006**

(30) **Foreign Application Priority Data**

Dec. 13, 2005 (JP) 2005-036708

(51) **LOC (8) Cl.** **18-02**

(52) **U.S. Cl.** **D18/56**

(58) **Field of Classification Search** D18/40,
D18/43, 56; D14/487; 347/10, 29, 33, 49-50,
347/71-72, 86-87

See application file for complete search history.

(56) **References Cited**

U.S. PATENT DOCUMENTS

4,131,899	A *	12/1978	Christou	347/87
5,155,497	A *	10/1992	Martin et al.	347/33
D361,591	S *	8/1995	Tokuda et al.	D18/56
D402,687	S *	12/1998	Sabonis	D18/56
D404,068	S *	1/1999	Sekine et al.	D18/56
D430,200	S *	8/2000	Taneya et al.	D18/56
6,106,111	A *	8/2000	Taneya et al.	347/86
6,338,550	B1 *	1/2002	Amano et al.	347/71

6,416,170	B2 *	7/2002	Silverbrook	347/54
D463,818	S *	10/2002	Fujinuma et al.	D18/43
D477,358	S *	7/2003	Cahill et al.	D18/56
D519,153	S *	4/2006	Sasaki et al.	D18/56
D522,049	S *	5/2006	Ishizawa et al.	D18/56
D526,353	S *	8/2006	Wakayama et al.	D18/56
D528,598	S *	9/2006	Ishizawa et al.	D18/56

* cited by examiner

Primary Examiner—Cathy Anne MacCormac

(74) *Attorney, Agent, or Firm*—Dickstein Shapiro LLP

(57) **CLAIM**

The ornamental design for a cartridge for inkjet printer, as shown and described.

DESCRIPTION

FIG. 1 is a front elevation view of a cartridge for an inkjet printer according to the present invention;

FIG. 2 is a rear elevation view thereof;

FIG. 3 is a top plan view thereof;

FIG. 4 is a bottom plan view thereof;

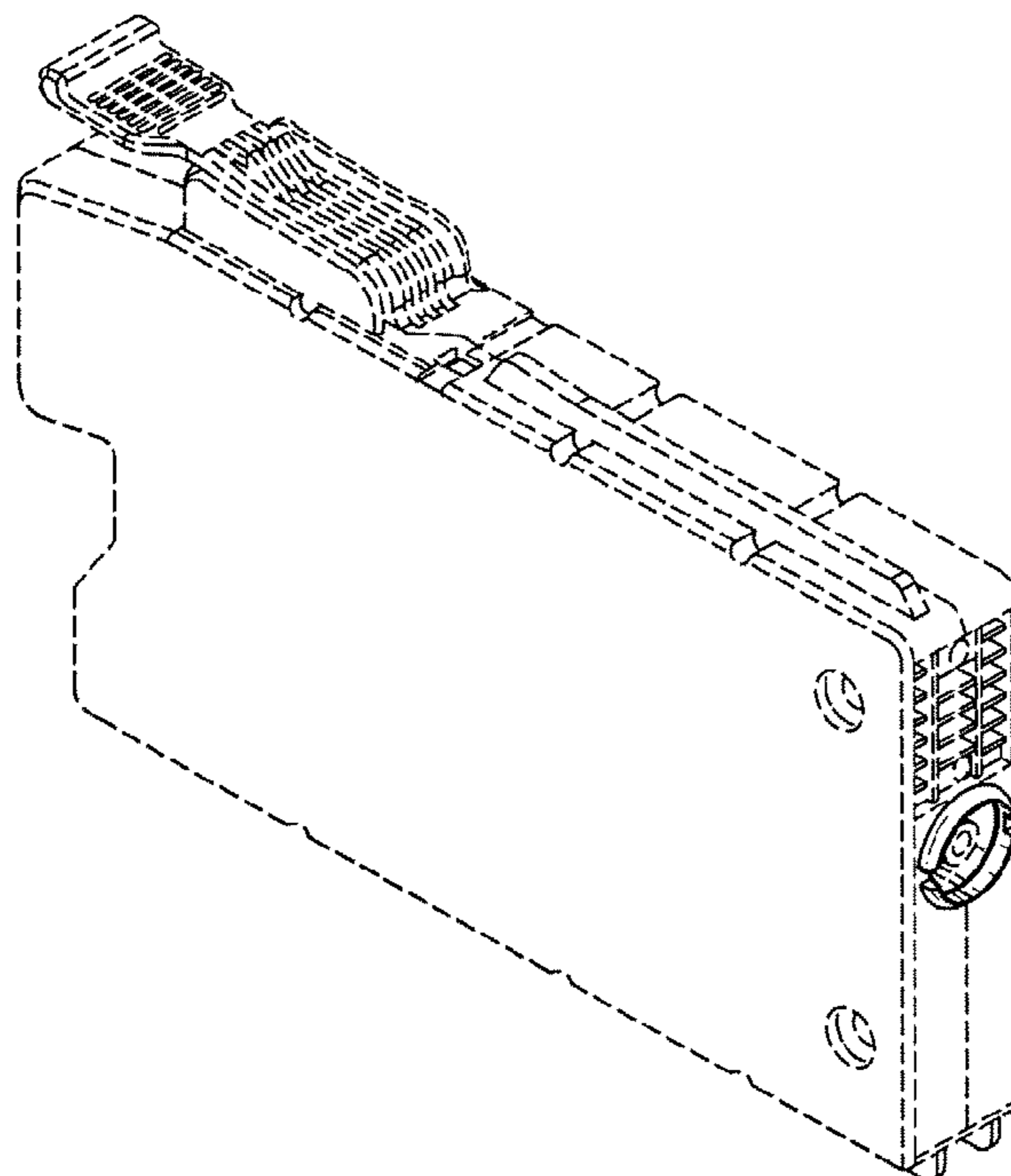
FIG. 5 is a right side elevation view thereof;

FIG. 6 is a left side elevation view thereof; and,

FIG. 7 is a top, front and right side perspective view thereof.

The broken lines are for illustration only and form no part of the claimed design.

1 Claim, 3 Drawing Sheets



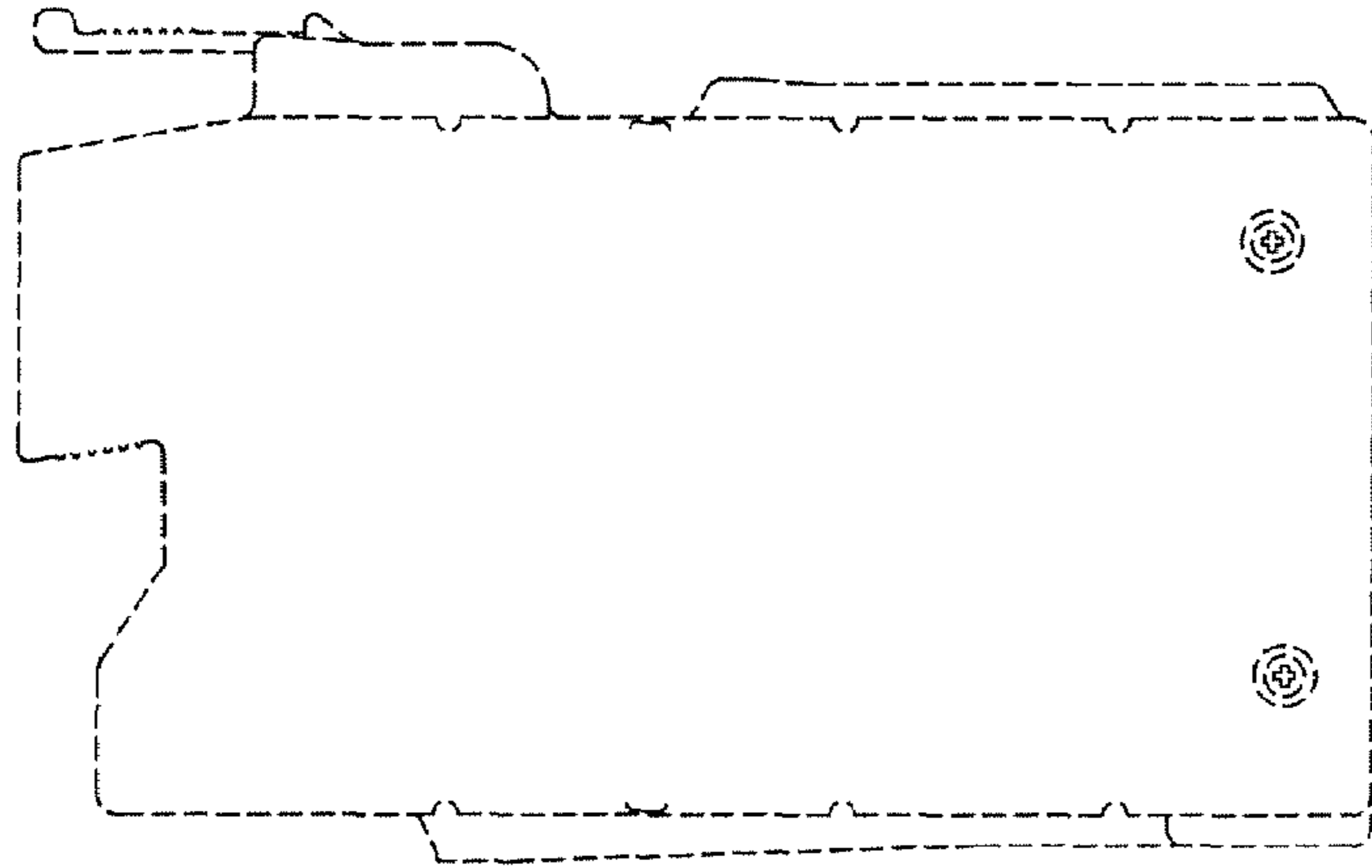


FIG. 1

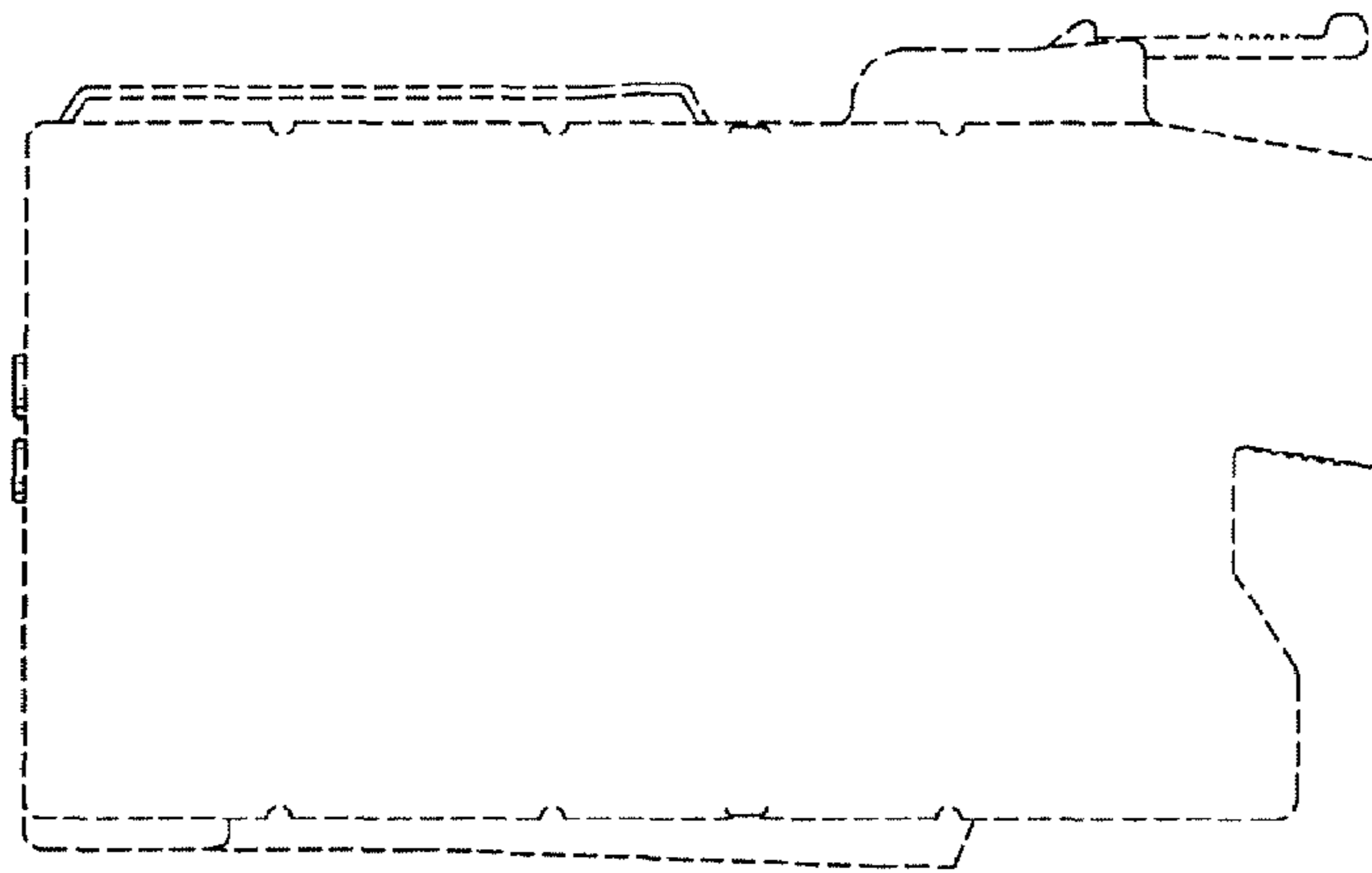


FIG. 2

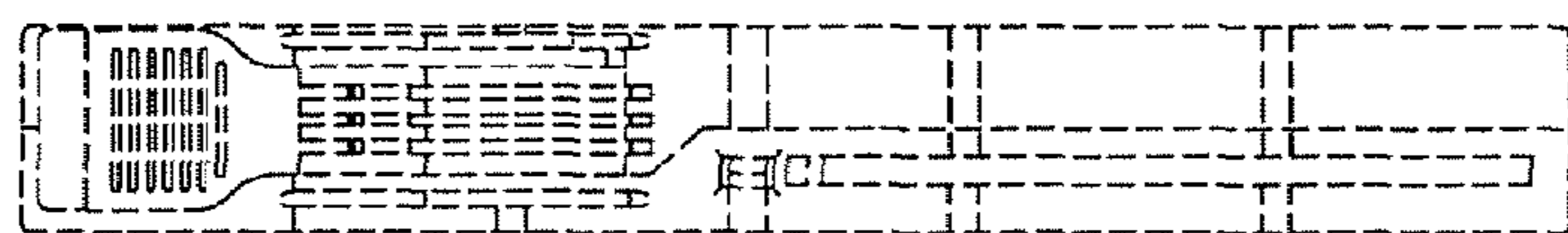


FIG. 3

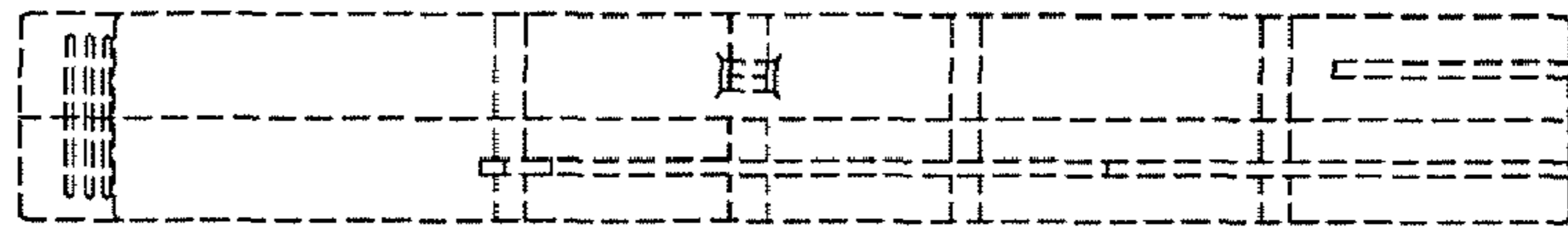


FIG. 4



FIG. 5

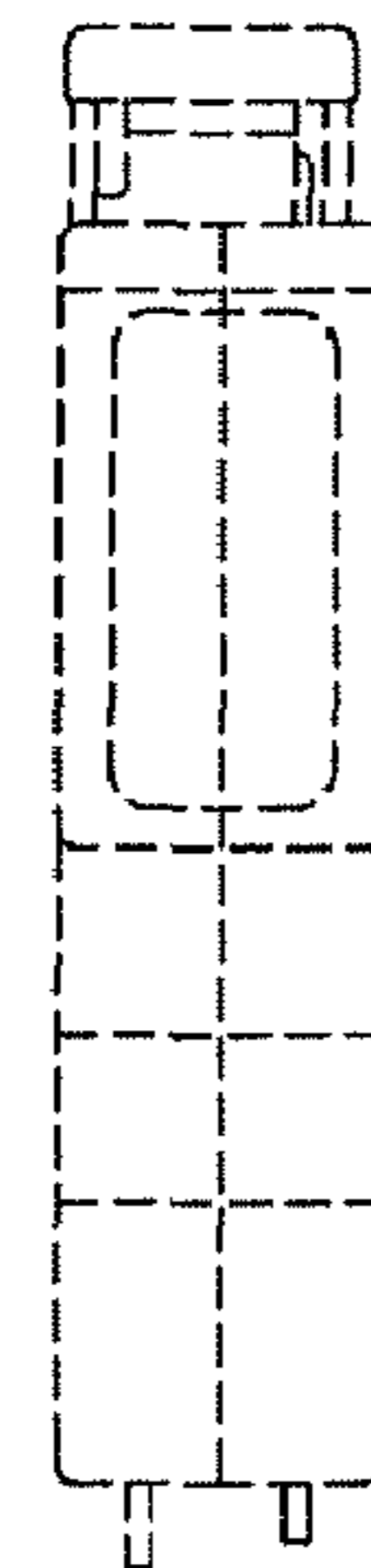


FIG. 6

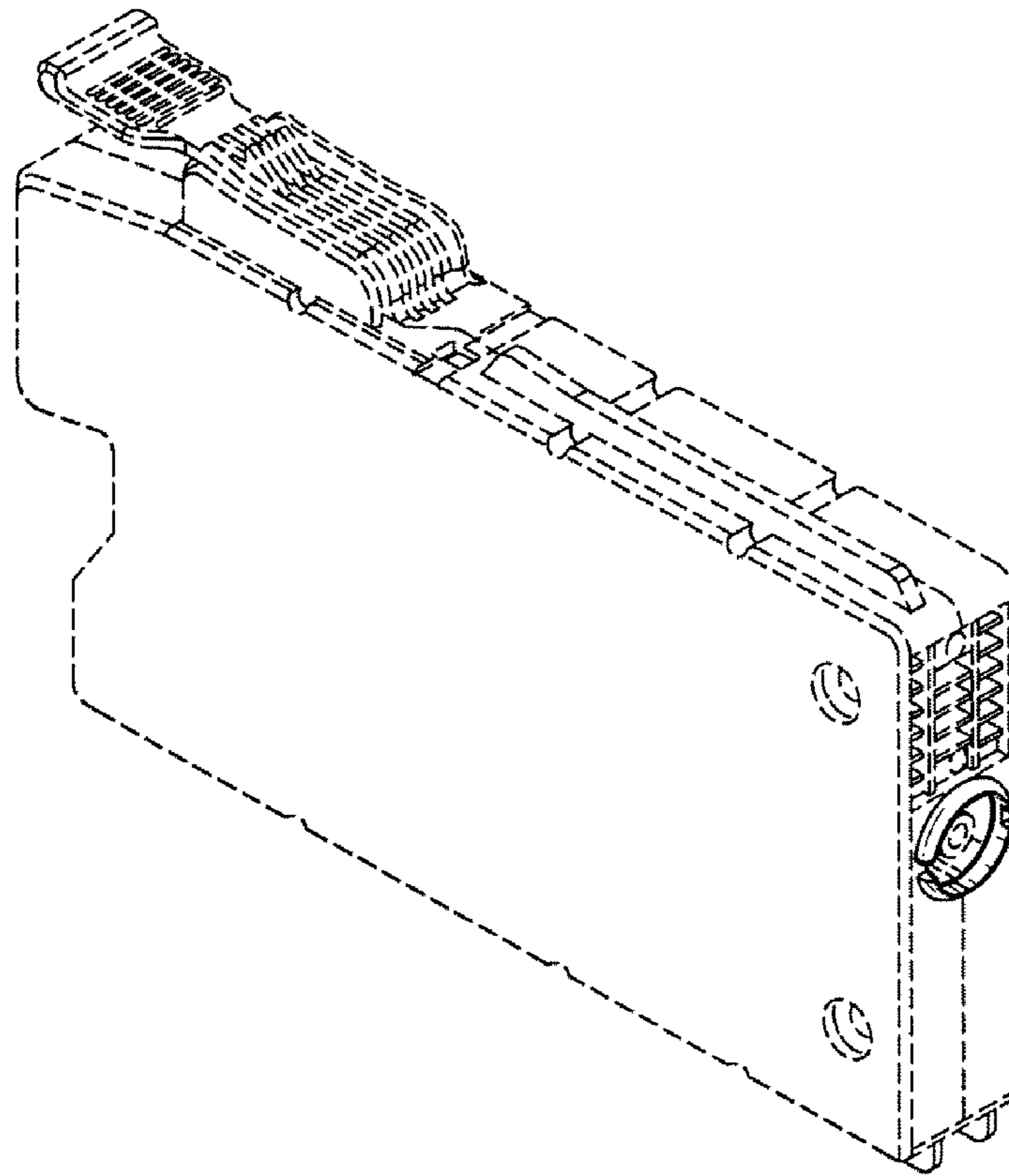


FIG. 7