



US00D557333S

(12) **United States Design Patent** (10) **Patent No.:** **US D557,333 S**  
**Giannola** (45) **Date of Patent:** **\*\* Dec. 11, 2007**

(54) **SCREEN PRINTING SQUEEGEE**

(76) Inventor: **Filippo Giannola**, 28717 Mt. Rose Rd.,  
Ranchos Palos Verdes, CA (US) 90275

(\*\*) Term: **14 Years**

(21) Appl. No.: **29/258,419**

(22) Filed: **Apr. 22, 2006**

(51) **LOC (8) Cl.** ..... **18-02**

(52) **U.S. Cl.** ..... **D18/56**

(58) **Field of Classification Search** ..... D8/307,  
D8/1.6, 45, 300, 303; 74/553, 523, 543,  
74/557; 15/143.1, 235.4, 236.01, 246, 245,  
15/245.1, 236.1, 236.02; 16/111 R, 121,  
16/124, 125, 248, 422; 383/15, 25; 294/57;  
30/171, 172, 169; D32/49, 35, 40-43, 47;  
D4/118, 137; D7/695; D18/56, 99  
See application file for complete search history.

(56) **References Cited**

**U.S. PATENT DOCUMENTS**

- 1,142,473 A \* 6/1915 Worms ..... 30/169
- 2,410,420 A \* 11/1946 Bennett ..... 15/236.01
- 2,571,685 A \* 10/1951 D Autremont ..... 101/123
- D214,977 S \* 8/1969 Roth ..... D4/137
- 3,676,888 A 7/1972 Akers
- 4,064,588 A \* 12/1977 Cooper ..... 15/236.08
- 4,097,951 A \* 7/1978 Hurtt ..... 15/245.1
- 5,101,530 A 4/1992 Hansen et al.
- 5,321,868 A 6/1994 Coulson et al.
- D352,432 S \* 11/1994 Monroe ..... D8/45
- D362,934 S \* 10/1995 Hansen ..... D32/41
- D368,344 S \* 3/1996 Hansen ..... D32/46
- D388,569 S \* 12/1997 Israel ..... D32/41
- D389,619 S \* 1/1998 McLeod ..... D32/35
- 5,920,947 A 7/1999 Varner
- 5,946,762 A 9/1999 Dionisio

- 6,126,756 A 10/2000 Varner
- 6,155,620 A 12/2000 Armstrong
- 6,243,911 B1 6/2001 Varner
- 6,516,490 B1 \* 2/2003 Hatala ..... 15/236.02
- 6,625,840 B1 9/2003 Hansen et al.
- 6,796,000 B2 9/2004 Varner
- 6,834,411 B2 12/2004 Kaminstein et al.
- 6,931,690 B2 8/2005 Cox
- 2005/0087084 A1 4/2005 Gray
- 2006/0042035 A1 \* 3/2006 Liu ..... 15/245

**OTHER PUBLICATIONS**

CDC Noish Hazard Control, Control of ergonomic hazards from squeegee handles in the screen-printing industry. [retrieved on May 24, 2007]. Page was last updated on Mar. 2, 1998, Retrieved from the internet <http://www.cdc.gov/niosh/hc15.html>.\*

\* cited by examiner

*Primary Examiner*—Robert M. Spear  
*Assistant Examiner*—Anna K Dworzecka  
(74) *Attorney, Agent, or Firm*—Eric Karich

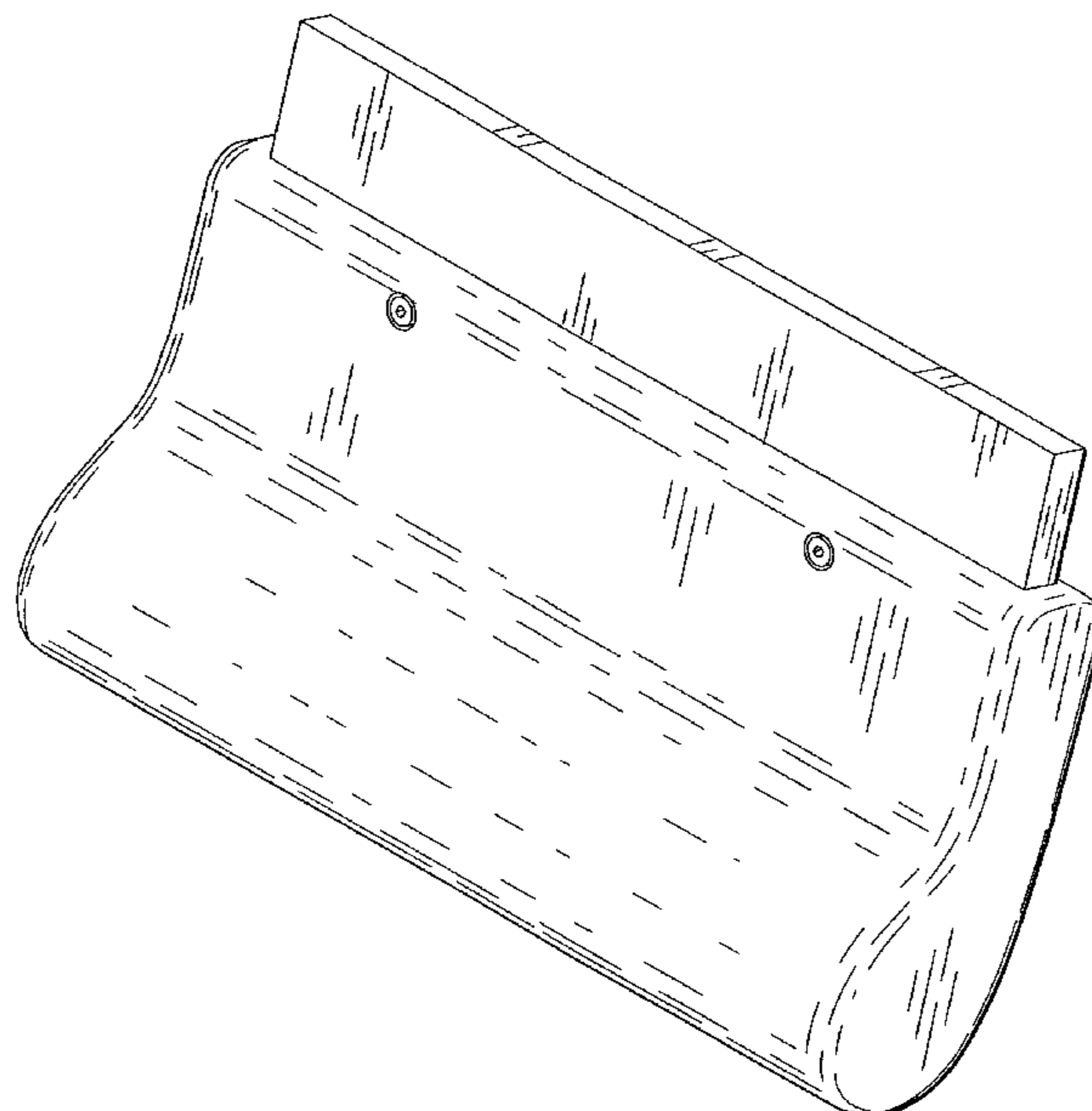
(57) **CLAIM**

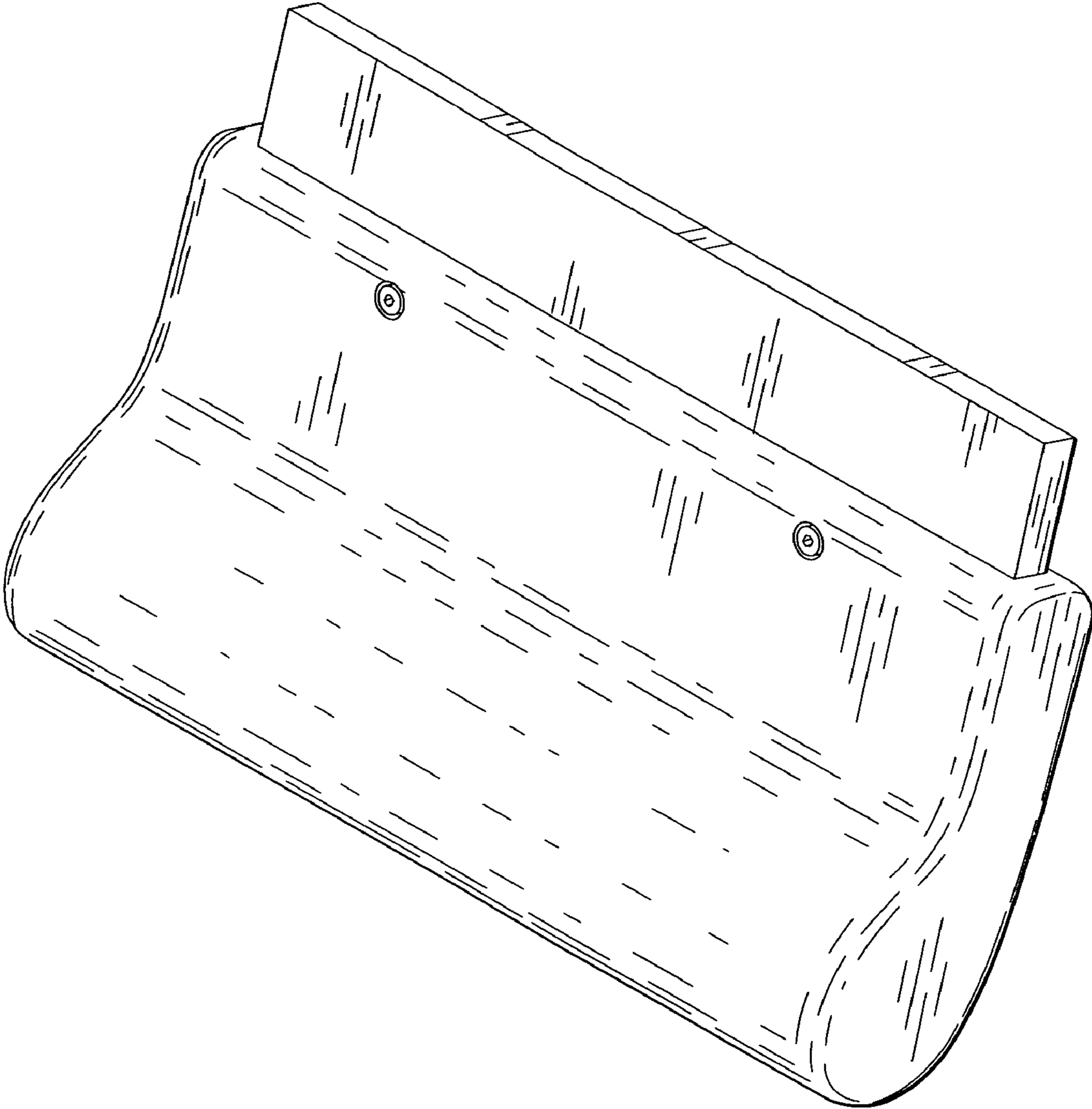
The ornamental design for a “screen printing squeegee,” as shown and described.

**DESCRIPTION**

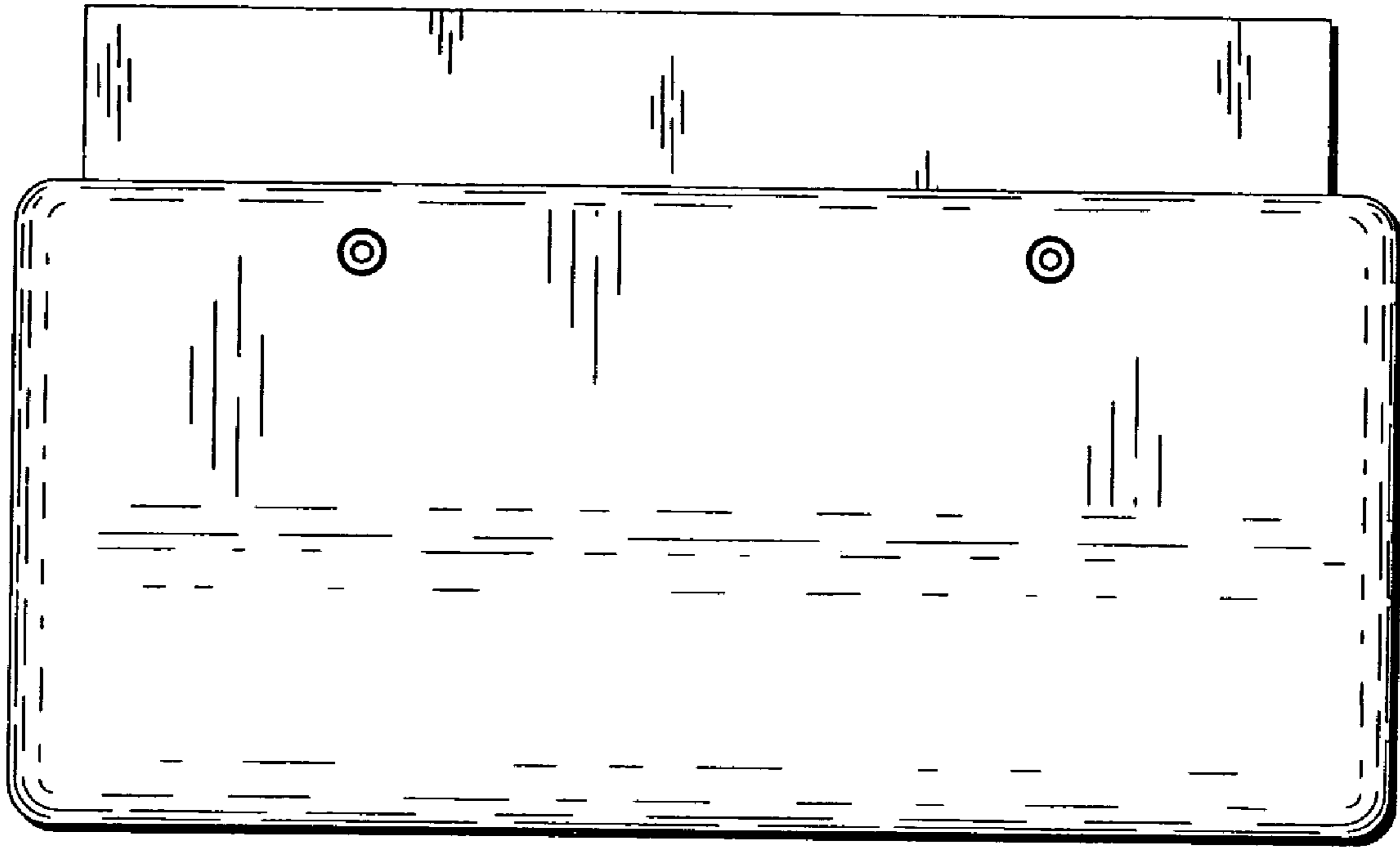
FIG. 1 is a perspective view of a screen printing squeegee, showing my new design;  
FIG. 2 is a front elevational view thereof;  
FIG. 3 is a rear elevational view thereof;  
FIG. 4 is a right side elevational view thereof;  
FIG. 5 is a left side elevational view thereof;  
FIG. 6 is a top plan view thereof; and,  
FIG. 7 is a bottom plan view thereof.

**1 Claim, 3 Drawing Sheets**

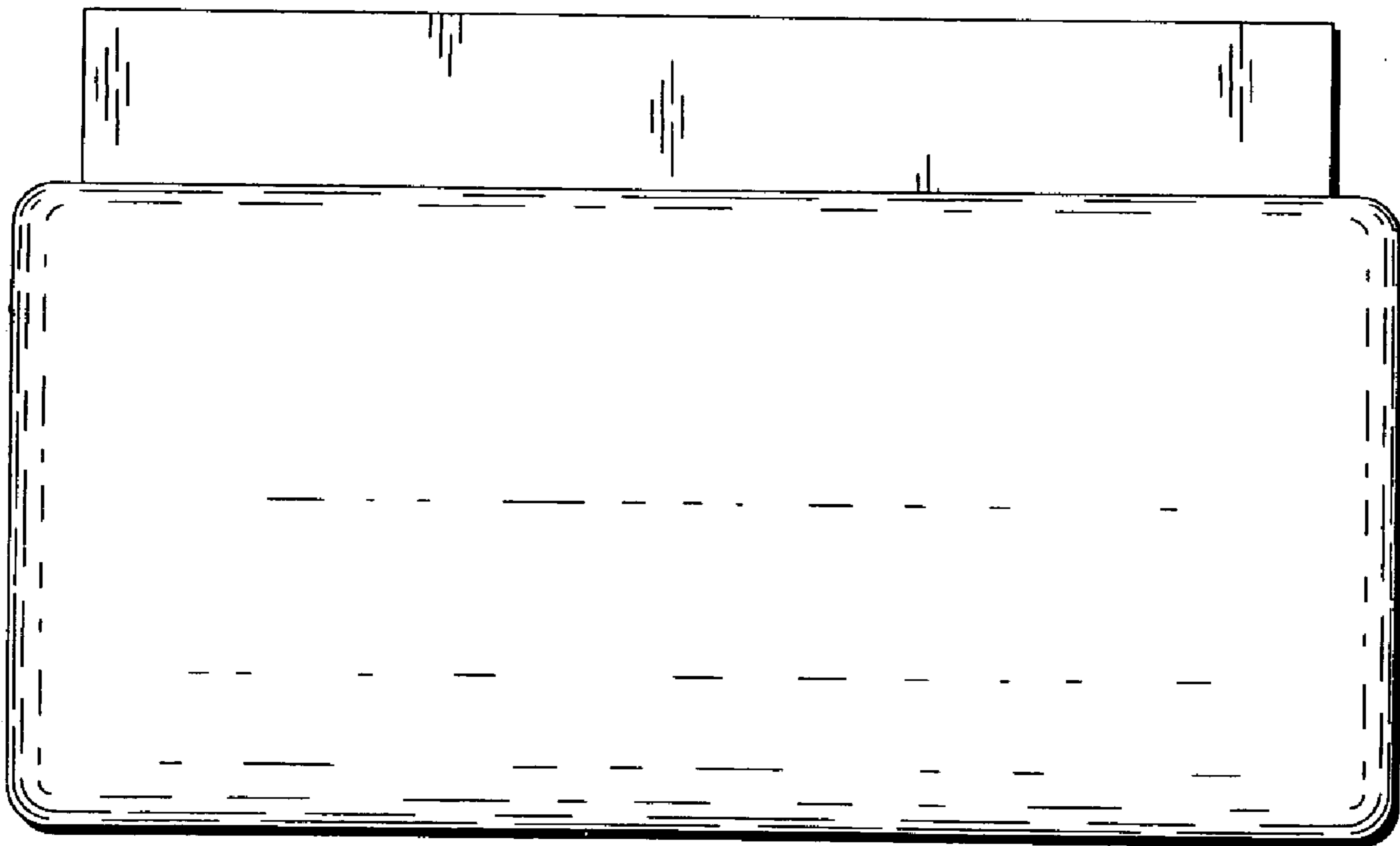




*Fig. 1*



*Fig. 2*



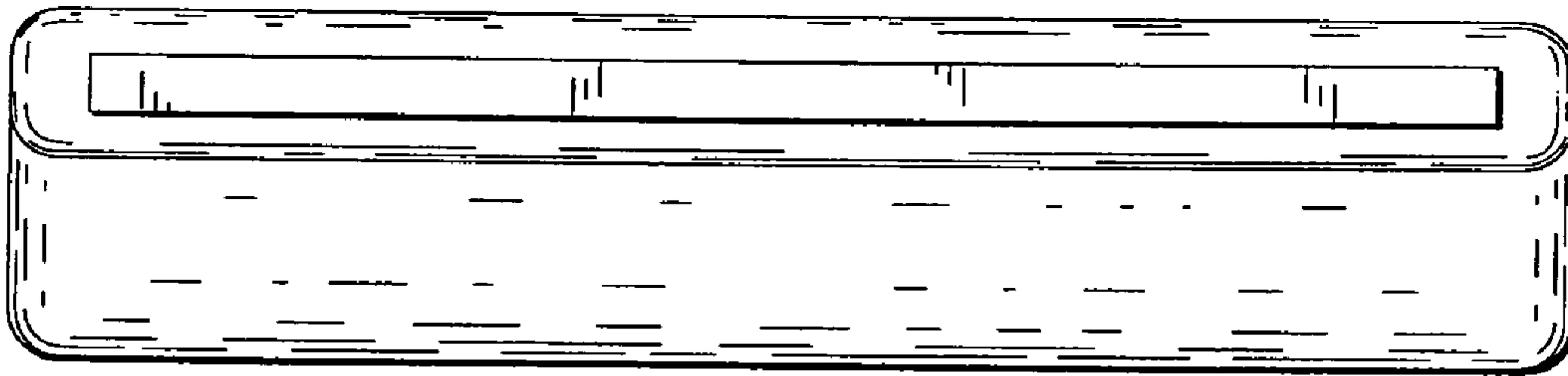
*Fig. 3*



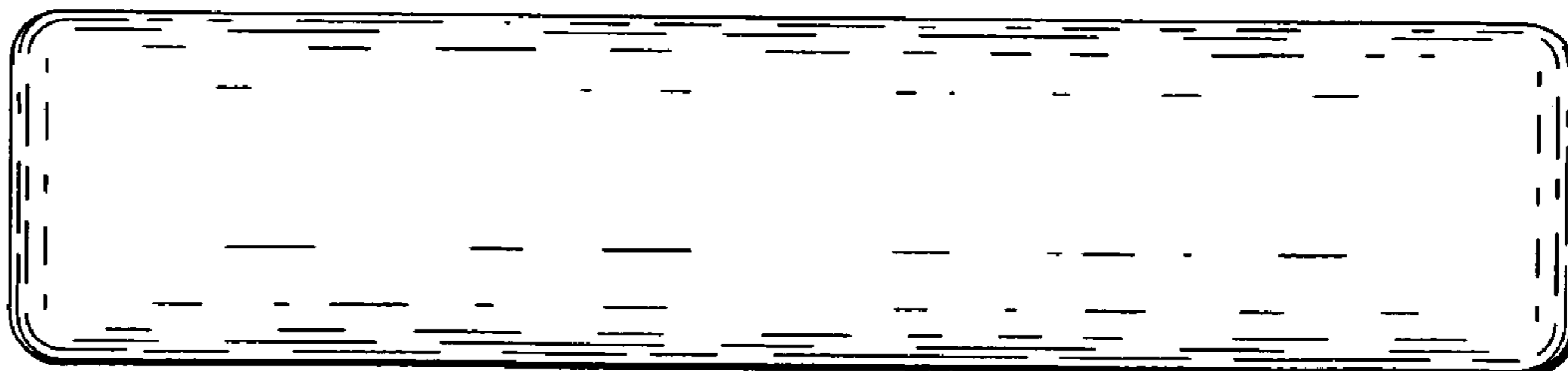
*Fig. 4*



*Fig. 5*



*Fig. 6*



*Fig. 7*