



US00D557328S

(12) **United States Design Patent**
Miyashita et al.

(10) **Patent No.:** **US D557,328 S**

(45) **Date of Patent:** **** Dec. 11, 2007**

(54) **ELECTRONIC KEYBOARD MUSICAL INSTRUMENT**

D467,607 S * 12/2002 Yanase et al. D17/7
D499,443 S * 12/2004 Ohno D17/7

(75) Inventors: **Kenichi Miyashita**, Yokohama (JP);
Ichiro Hashimoto, Kawasaki (JP);
Yukihiko Ida, Tokyo (JP)

* cited by examiner

Primary Examiner—Ian Simmons
Assistant Examiner—Anna J Burmeister

(73) Assignee: **Casio Keisanki Kabushiki Kaisha**,
Tokyo (JP)

(74) *Attorney, Agent, or Firm*—Frishauf, Holtz, Goodman &
Chick, P.C.

(**) Term: **14 Years**

(57) **CLAIM**

(21) Appl. No.: **29/234,488**

The ornamental design for an electronic keyboard musical instrument, as shown.

(22) Filed: **Jul. 19, 2005**

DESCRIPTION

(51) **LOC (8) Cl.** **17-01**

FIG. 1 is a front, right side, top perspective view of an electronic keyboard musical instrument showing our new design;

(52) **U.S. Cl.** **D17/7**

FIG. 2 is a front elevational view thereof;

(58) **Field of Classification Search** D17/7;

FIG. 3 is a rear elevational view thereof;

84/171-172, 174

FIG. 4 is a left side view thereof;

See application file for complete search history.

FIG. 5 is a right side view thereof;

(56) **References Cited**

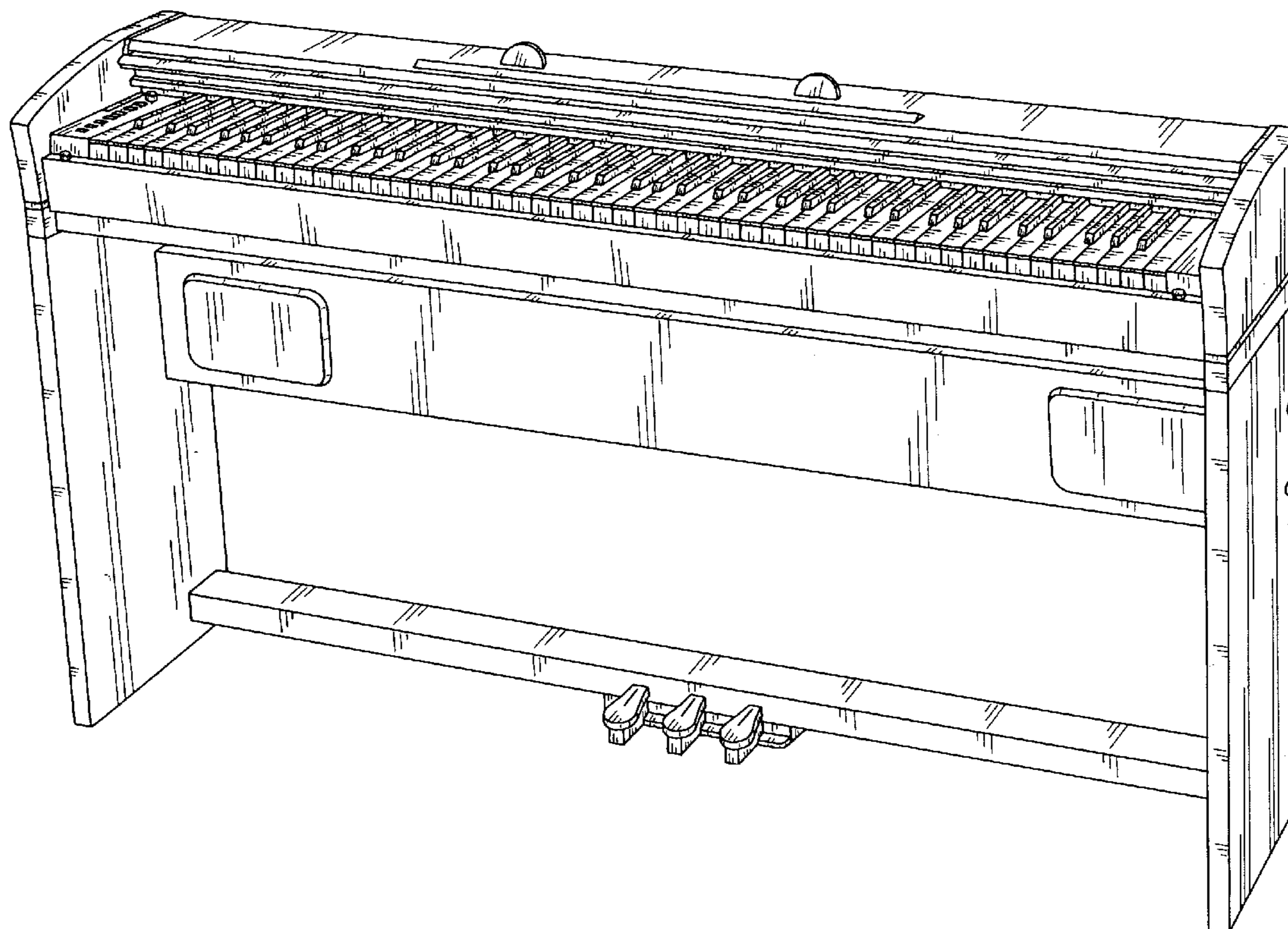
U.S. PATENT DOCUMENTS

- D308,215 S * 5/1990 Katsuhara D17/7
- D322,086 S * 12/1991 Yamawaki et al. D17/7
- D324,531 S * 3/1992 Lee D17/7
- D372,728 S * 8/1996 Mizushima D17/7

FIG. 6 is a top plan view thereof; and,

FIG. 7 is a bottom plan view thereof.

1 Claim, 6 Drawing Sheets



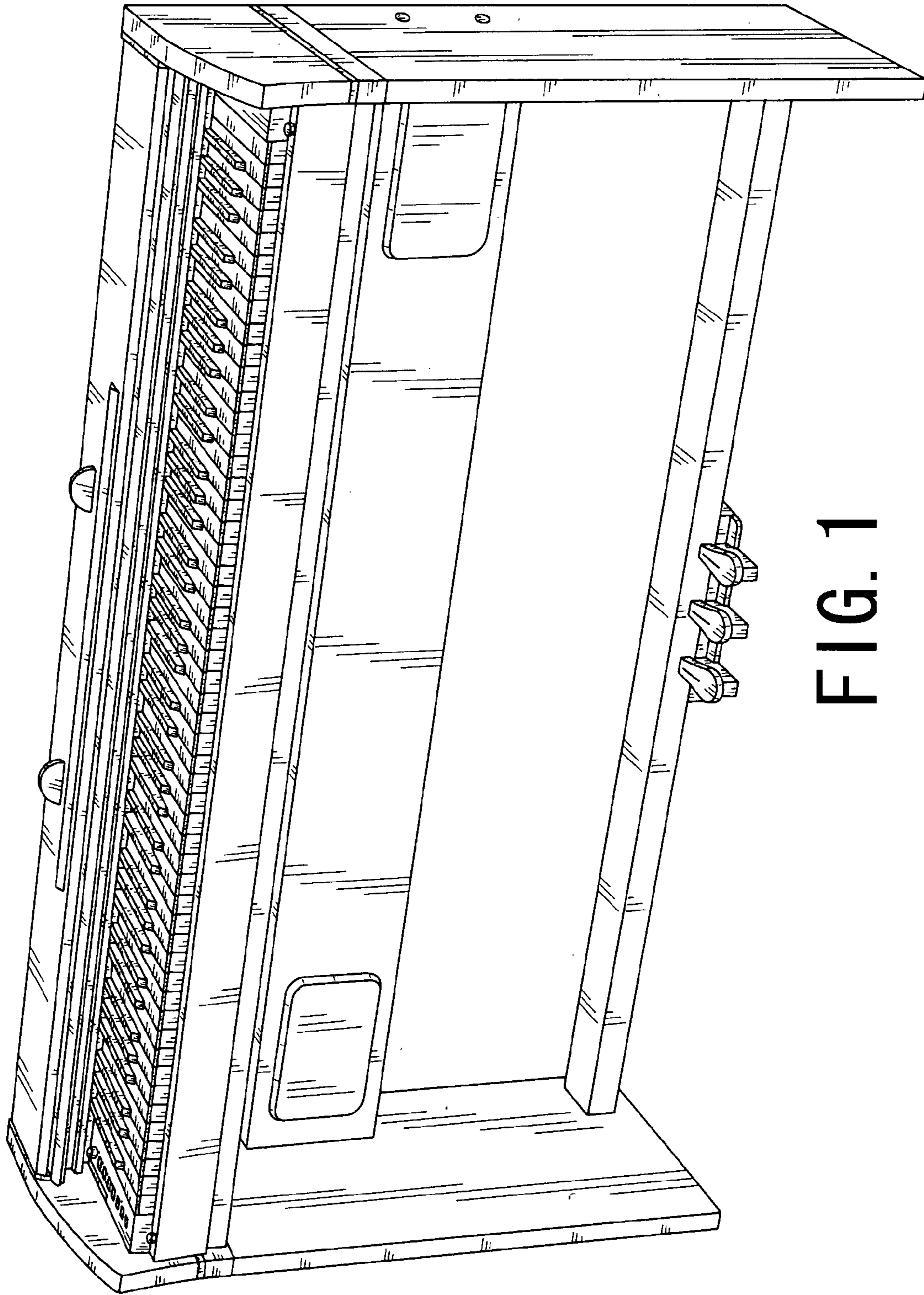


FIG. 1

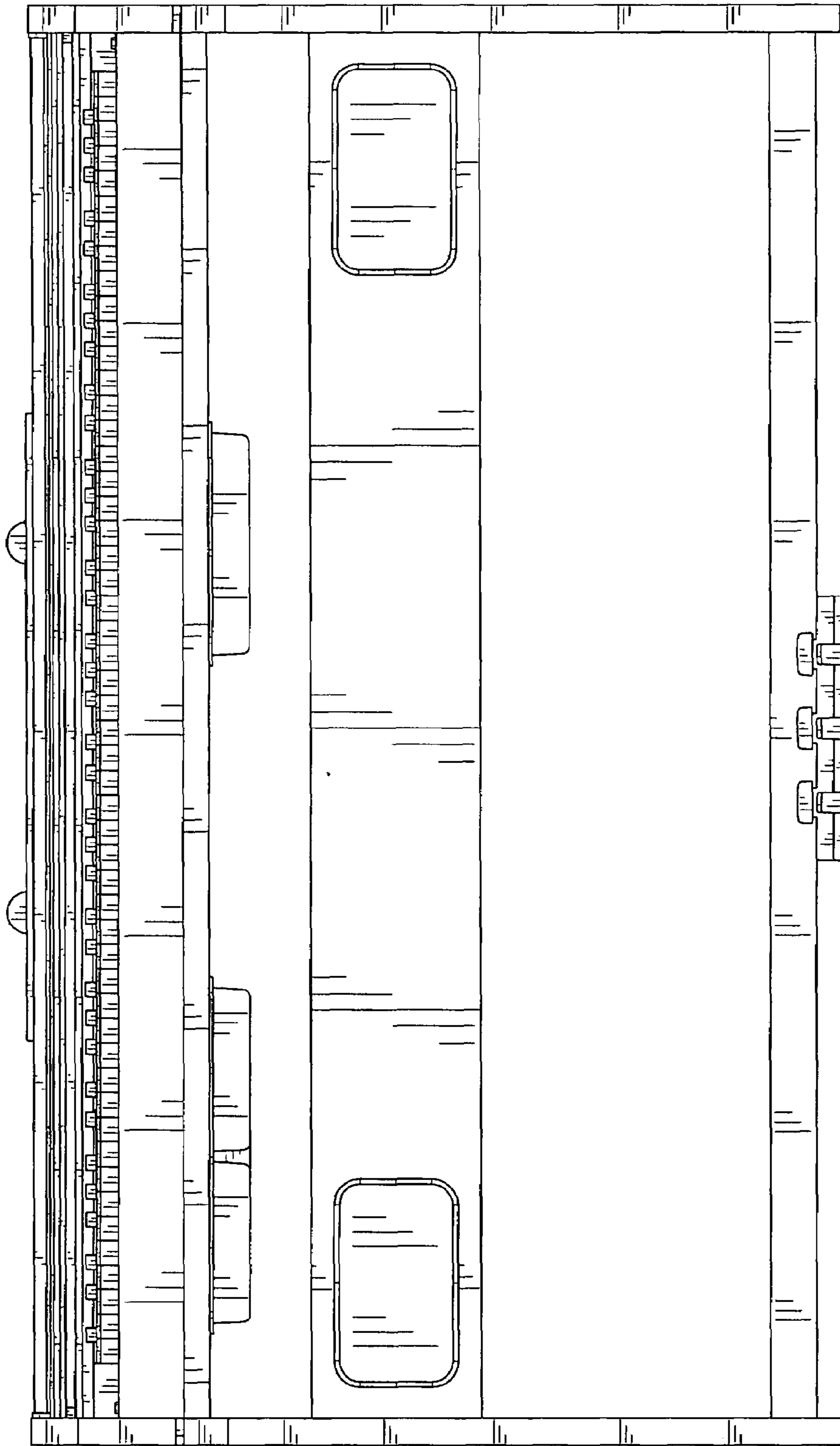


FIG. 2

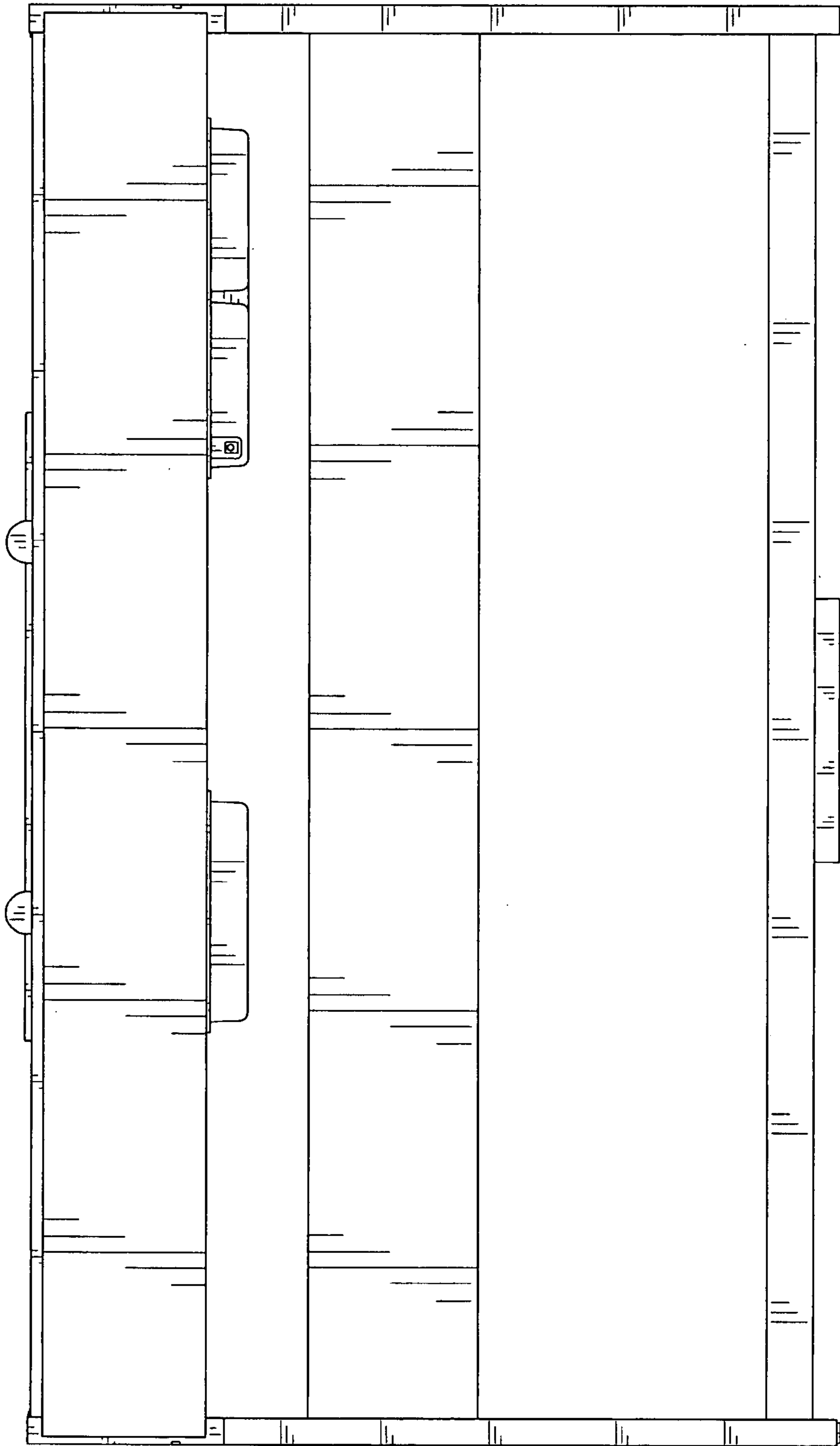


FIG. 3

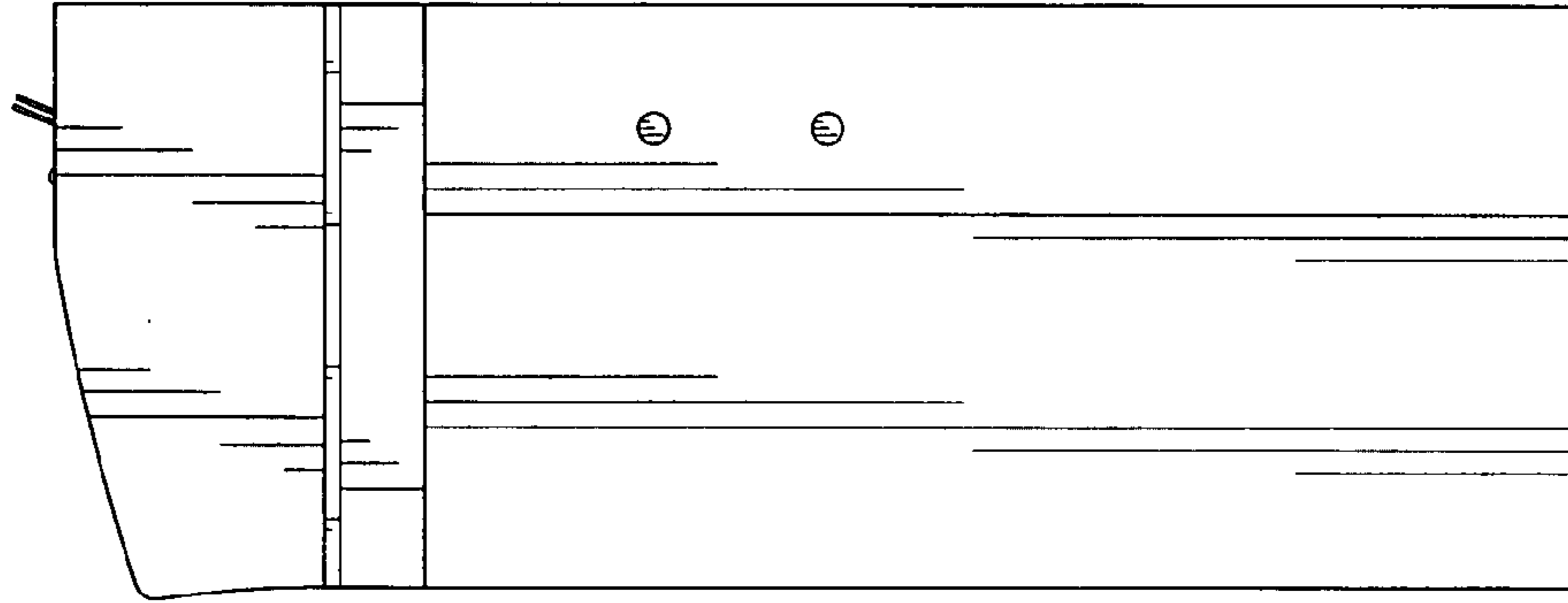


FIG. 5

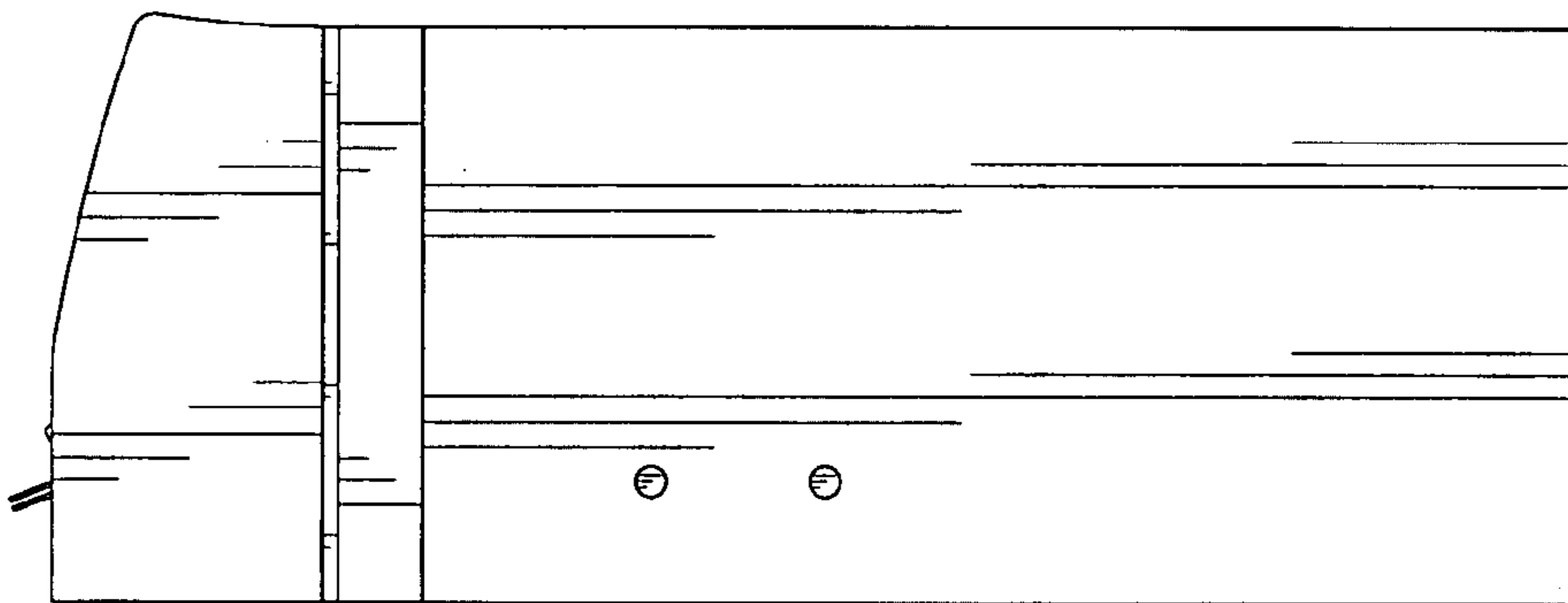


FIG. 4

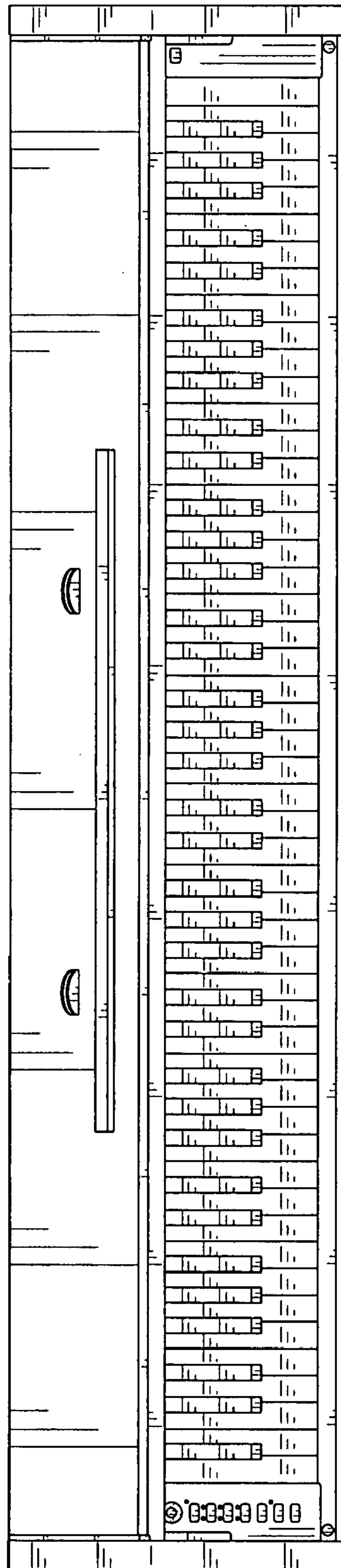


FIG. 6

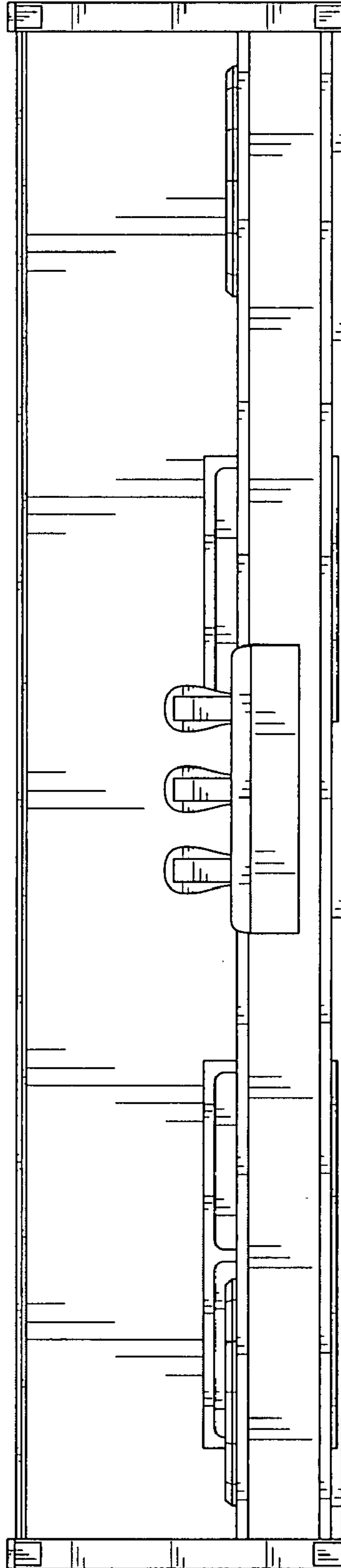


FIG. 7