



US00D557321S

(12) **United States Design Patent** (10) **Patent No.:** **US D557,321 S**  
**Fisher et al.** (45) **Date of Patent:** **\*\* Dec. 11, 2007**

(54) **PORTION OF AN ELECTRONIC CAMERA**  
 (75) Inventors: **Steven W. Fisher**, Kirkland, WA (US);  
**Oliver F. Grabes**, Haan, DE (US);  
**Ferdinand Johannes van Engelen**,  
 Bothell, WA (US); **Robert B. Hubler**,  
 Woodinville, WA (US); **Adam M.**  
**O'Hern**, Cockeysville, MD (US); **Tim**  
**Hulford**, Seattle, WA (US)

6,669,380 B1 \* 12/2003 Cartoni ..... 396/428  
 D485,234 S \* 1/2004 Katayama ..... D16/237  
 D529,533 S \* 10/2006 Oh et al. .... D16/202  
 D533,575 S \* 12/2006 Reawsanguanwong et al. . D16/  
 202

\* cited by examiner

*Primary Examiner*—Adir Aronovich  
 (74) *Attorney, Agent, or Firm*—Banner & Witcoff, Ltd.

(73) Assignee: **Microsoft Corporation**, Redmond, WA (US)

(57) **CLAIM**

The ornamental design for a portion of an electronic camera, as shown and described.

(\*\*) Term: **14 Years**

(21) Appl. No.: **29/248,549**

**DESCRIPTION**

(22) Filed: **Aug. 21, 2006**

(51) **LOC (8) Cl.** ..... **16-05**

(52) **U.S. Cl.** ..... **D16/242; D16/219**

(58) **Field of Classification Search** ..... D16/200–205,  
 D16/208, 219, 237, 242; 248/121, 126, 918;  
 348/373–376; 358/906, 909.1; 396/419,  
 396/428, 535–541

See application file for complete search history.

FIG. 1 is a front perspective view of a portion of an electronic camera showing our new design;  
 FIG. 2 is a front view thereof;  
 FIG. 3 is a rear view thereof;  
 FIG. 4 is a left side view thereof;  
 FIG. 5 is a right side view thereof;  
 FIG. 6 is a top view thereof; and,  
 FIG. 7 is a bottom view thereof.

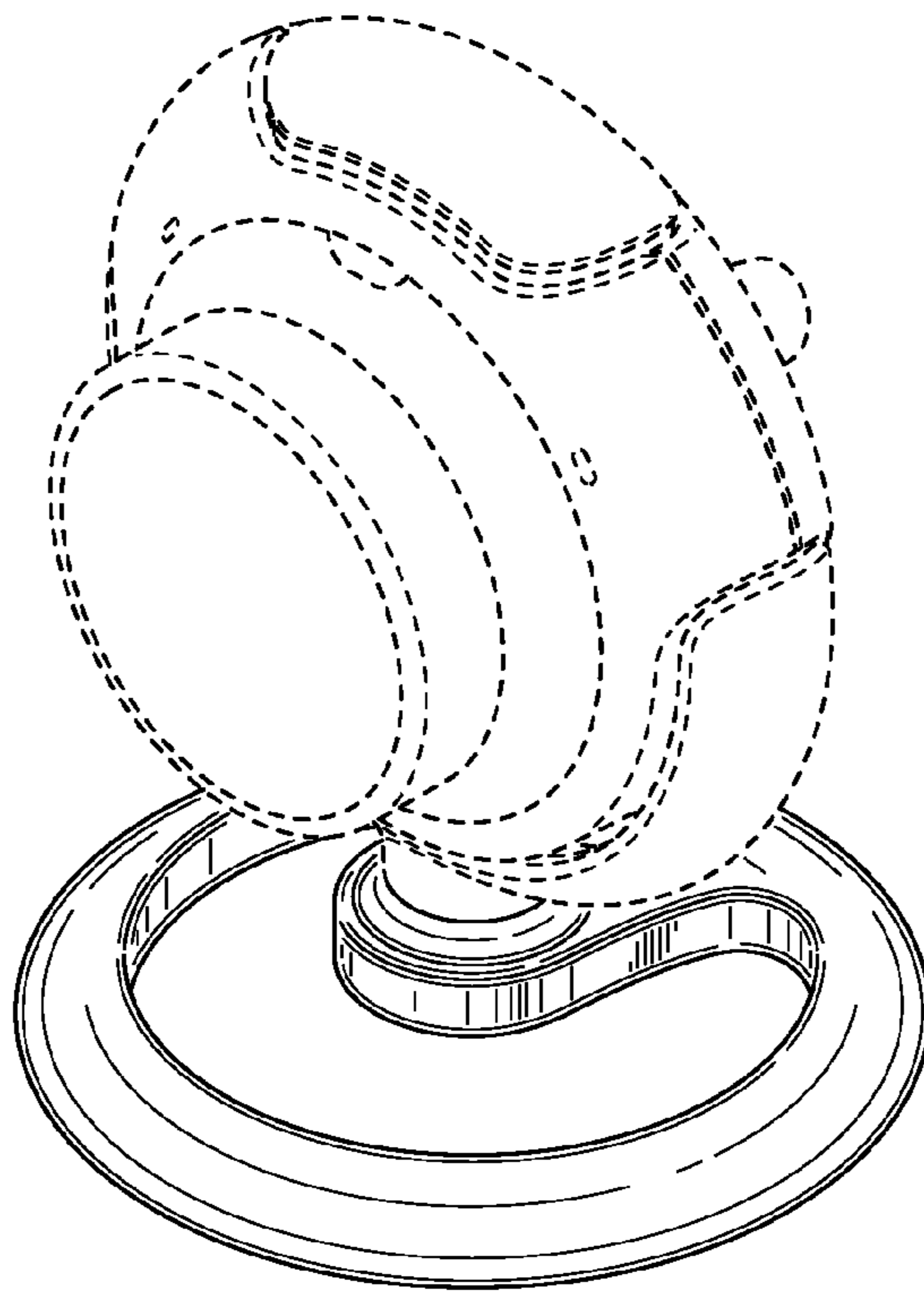
The broken line showing of various regions in the figures, including the unshaded areas therein, is for illustrative purposes and forms no part of the claimed design.

(56) **References Cited**

U.S. PATENT DOCUMENTS

D389,166 S \* 1/1998 Swayze et al. .... D16/242  
 D399,860 S \* 10/1998 Huang ..... D16/202  
 D458,623 S \* 6/2002 Backs et al. .... D16/242

**1 Claim, 4 Drawing Sheets**



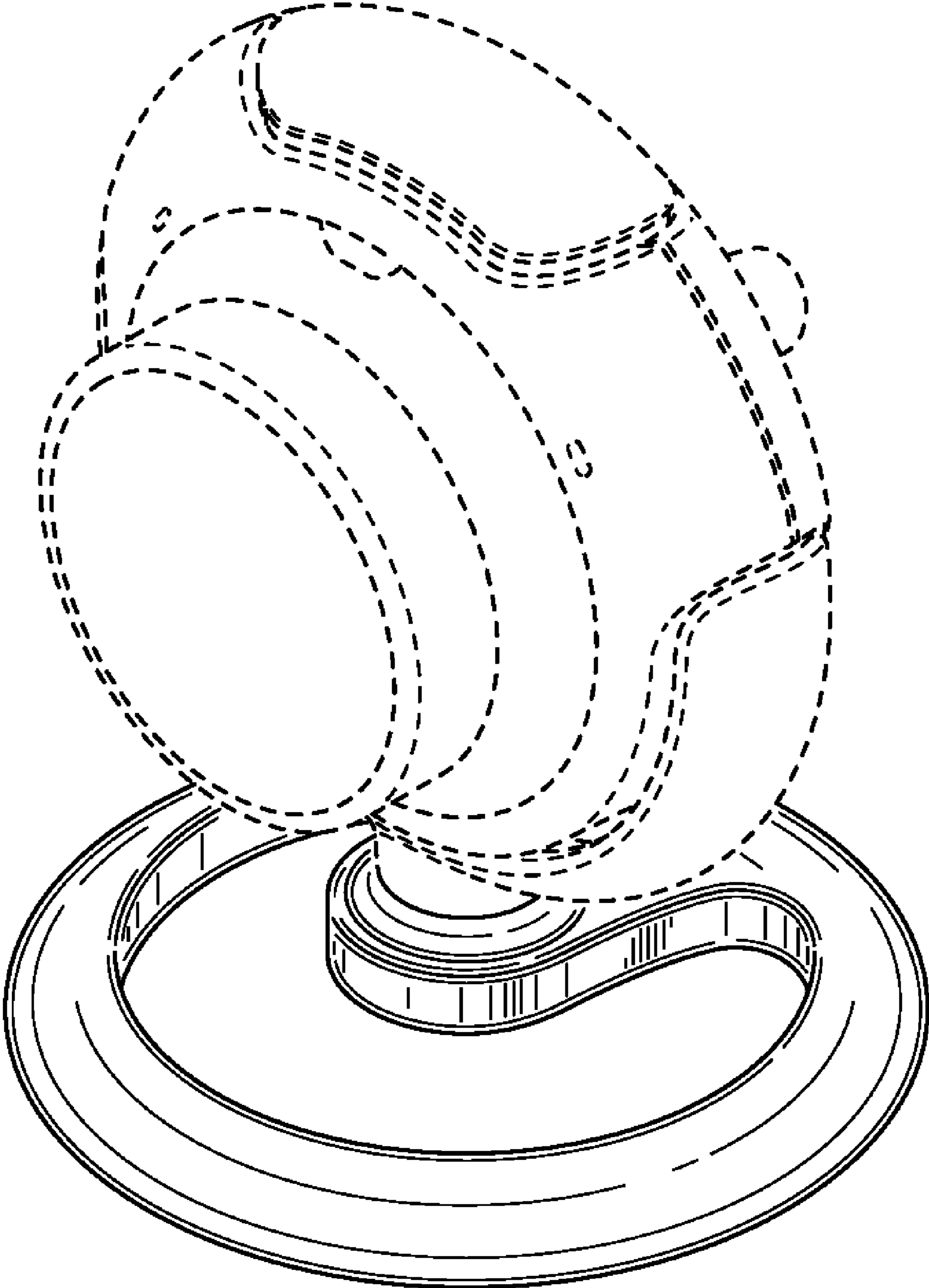


FIG. 1

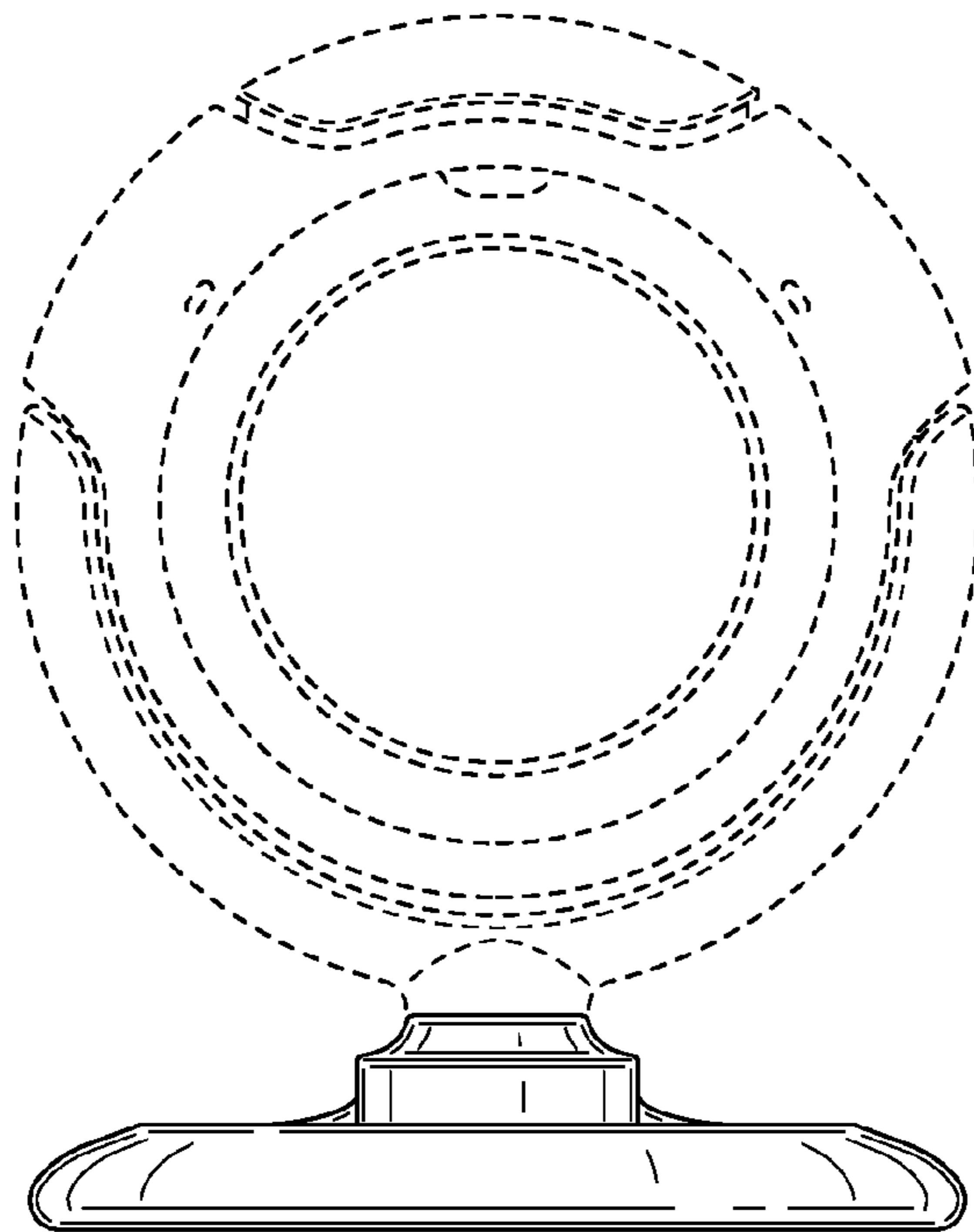


FIG. 2

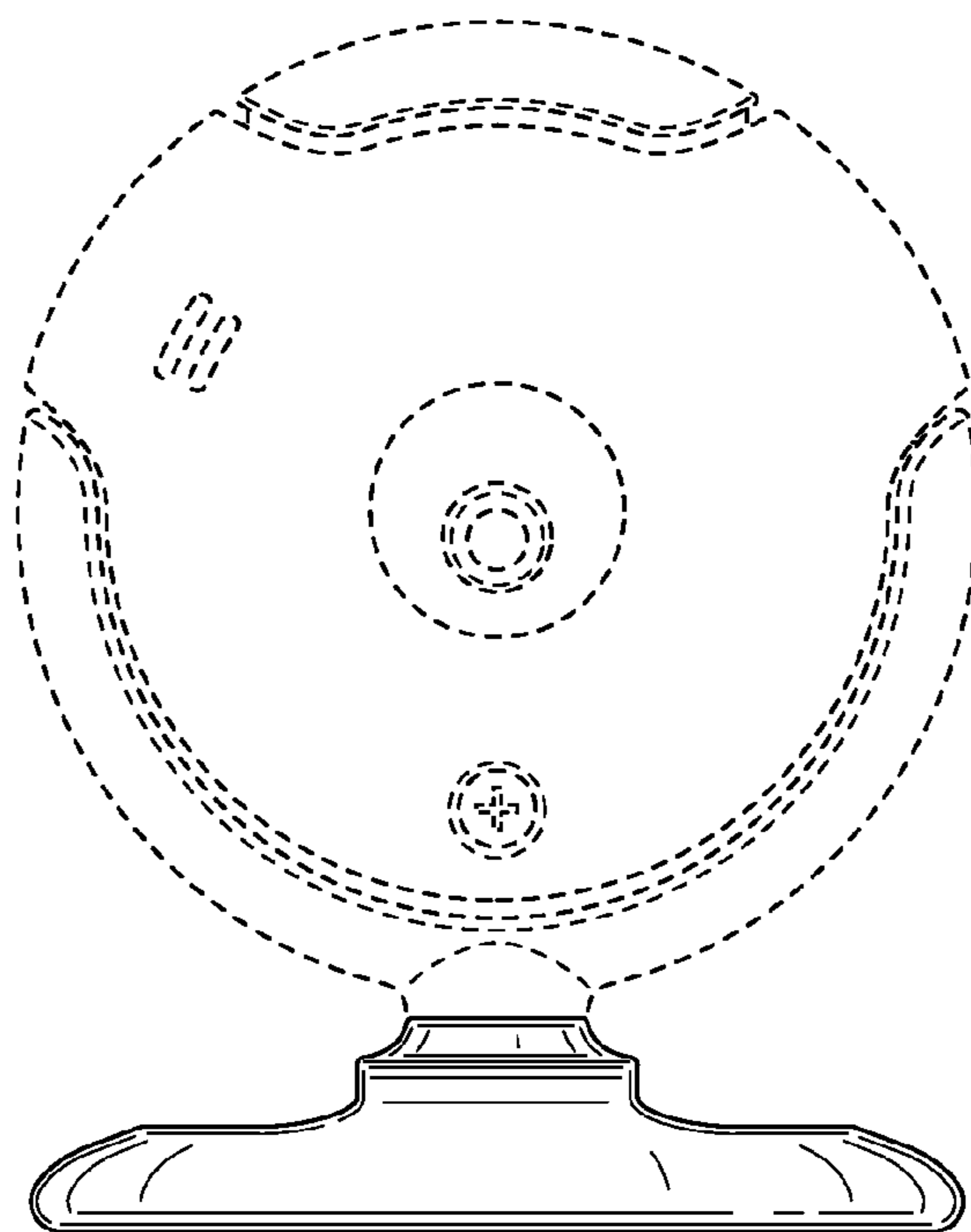


FIG. 3

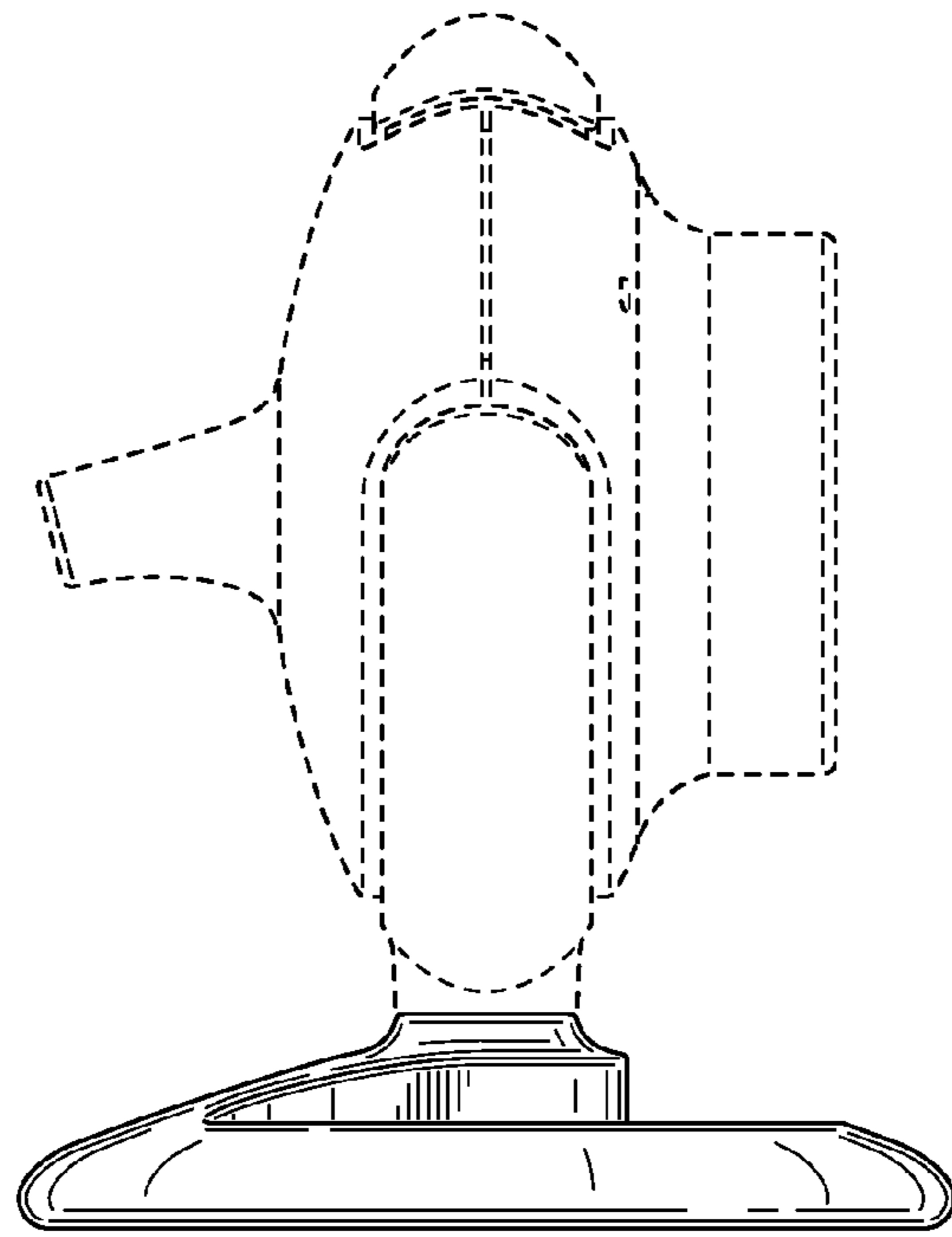


FIG. 4

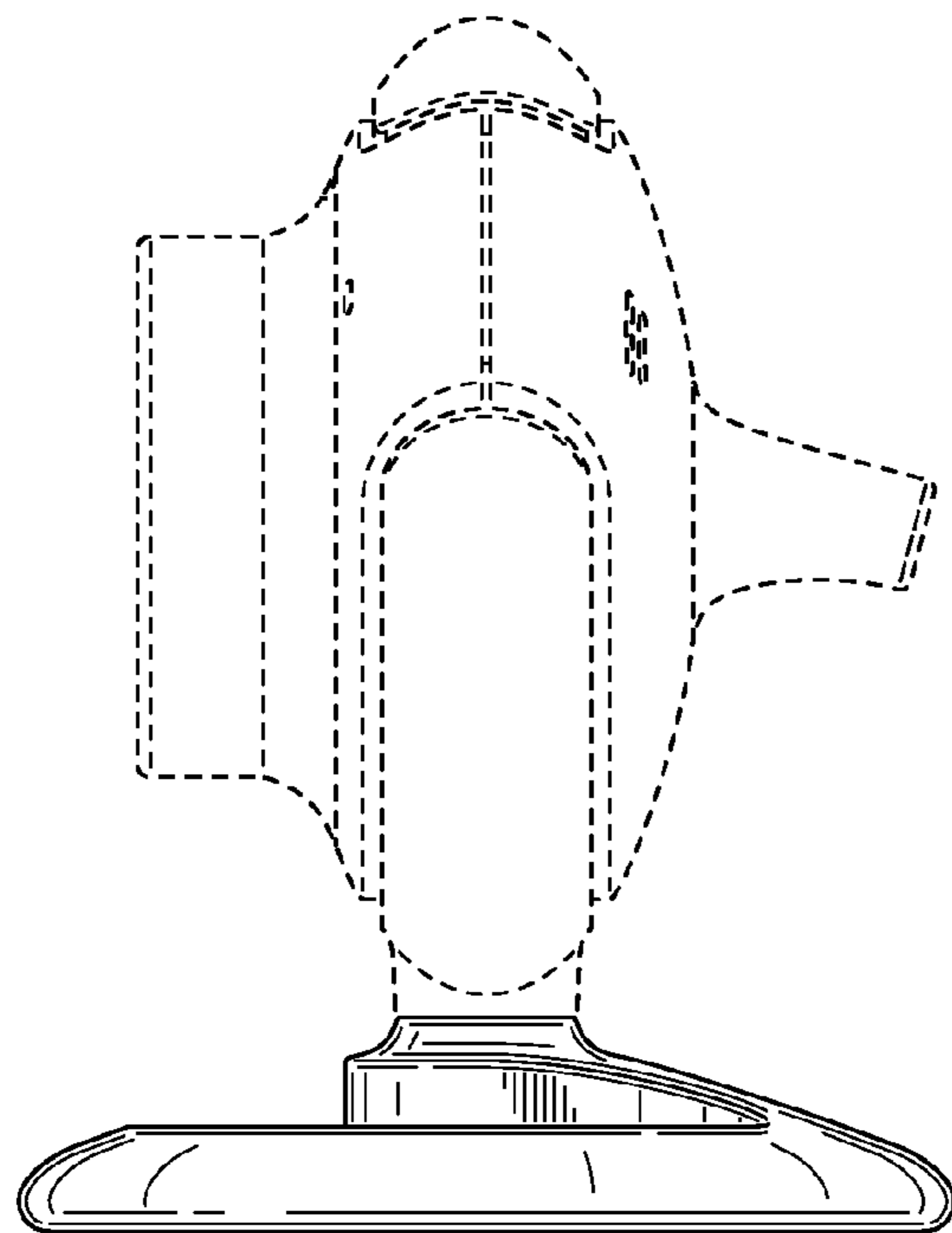


FIG. 5

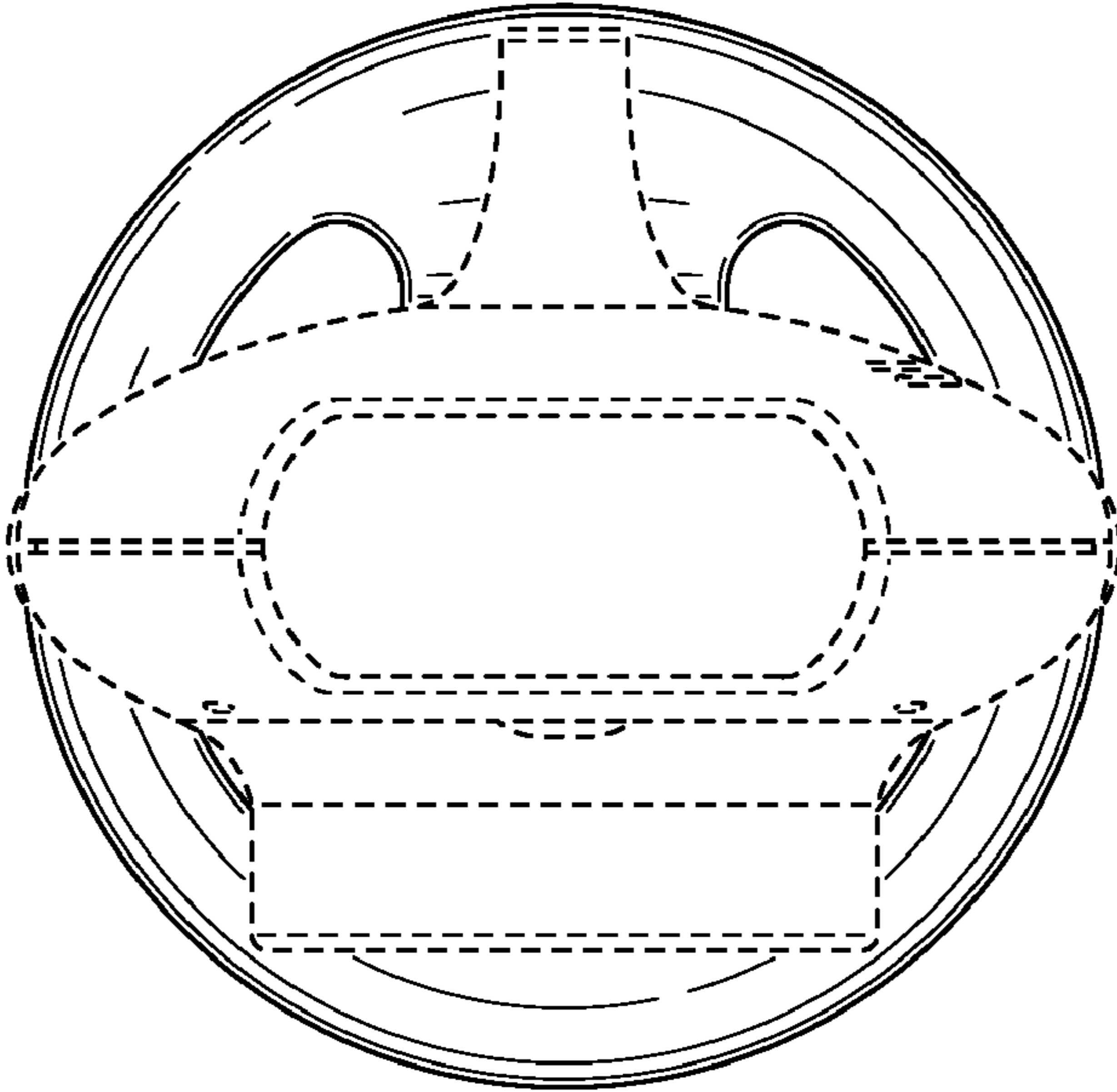


FIG. 6

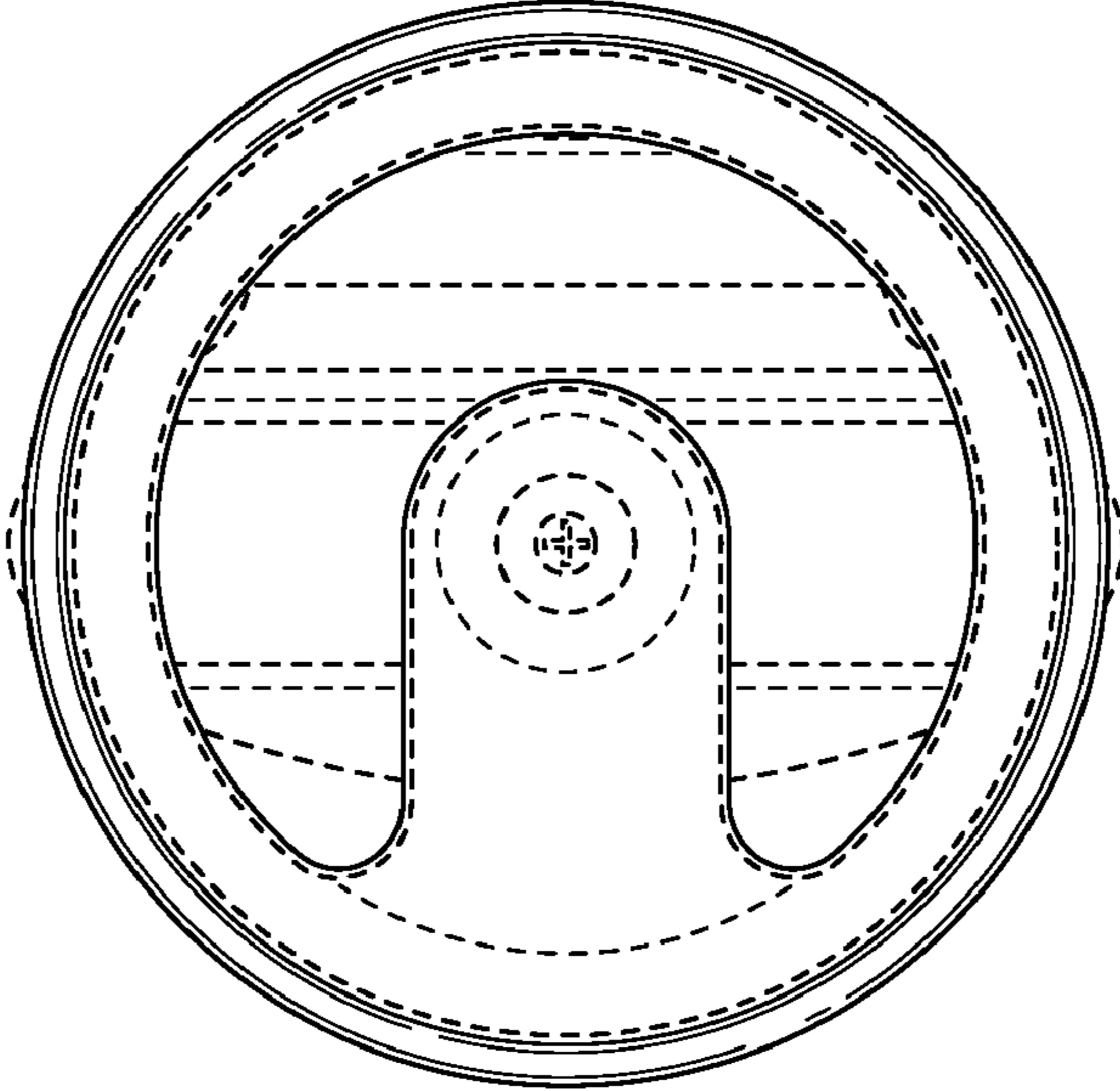


FIG. 7