



US00D557320S

(12) **United States Design Patent**  
**Fisher et al.**

(10) **Patent No.: US D557,320 S**

(45) **Date of Patent: \*\* Dec. 11, 2007**

(54) **PORTION OF AN ELECTRONIC CAMERA**

(75) Inventors: **Steven W. Fisher**, Kirkland, WA (US);  
**Oliver F. Grabes**, Haan, DE (US);  
**Ferdinand Johannes van Engelen**,  
Bothell, WA (US); **Robert B. Hubler**,  
Woodinville, WA (US); **Adam M.**  
**O'Hern**, Cockeysville, MD (US); **Tim**  
**Hulford**, Seattle, WA (US)

(73) Assignee: **Microsoft Corporation**, Redmond, WA  
(US)

(\*\*) Term: **14 Years**

(21) Appl. No.: **29/248,547**

(22) Filed: **Aug. 21, 2006**

(51) **LOC (8) Cl.** ..... **16-05**

(52) **U.S. Cl.** ..... **D16/242; D16/219**

(58) **Field of Classification Search** ..... D16/200–205,  
D16/208, 219, 237, 242; 248/121, 126, 918;  
348/373–376; 358/906, 909.1; 396/419,  
396/428, 535–541

See application file for complete search history.

(56) **References Cited**

U.S. PATENT DOCUMENTS

D389,166 S \* 1/1998 Swayze et al. .... D16/242  
D399,860 S \* 10/1998 Huang ..... D16/202  
D458,623 S \* 6/2002 Backs et al. .... D16/242

6,669,380 B1 \* 12/2003 Cartoni ..... 396/428  
D485,234 S \* 1/2004 Katayama ..... D16/237  
D529,533 S \* 10/2006 Oh et al. .... D16/202  
D533,575 S \* 12/2006 Reawsanguanwong et al. . D16/  
202

\* cited by examiner

*Primary Examiner*—Adir Aronovich  
(74) *Attorney, Agent, or Firm*—Banner & Witcoff, Ltd.

(57) **CLAIM**

The ornamental design for a portion of an electronic camera,  
as shown and described.

**DESCRIPTION**

FIG. 1 is a front perspective view of a portion of an  
electronic camera showing our new design;

FIG. 2 is a front view thereof;

FIG. 3 is a rear view thereof;

FIG. 4 is a left side view thereof;

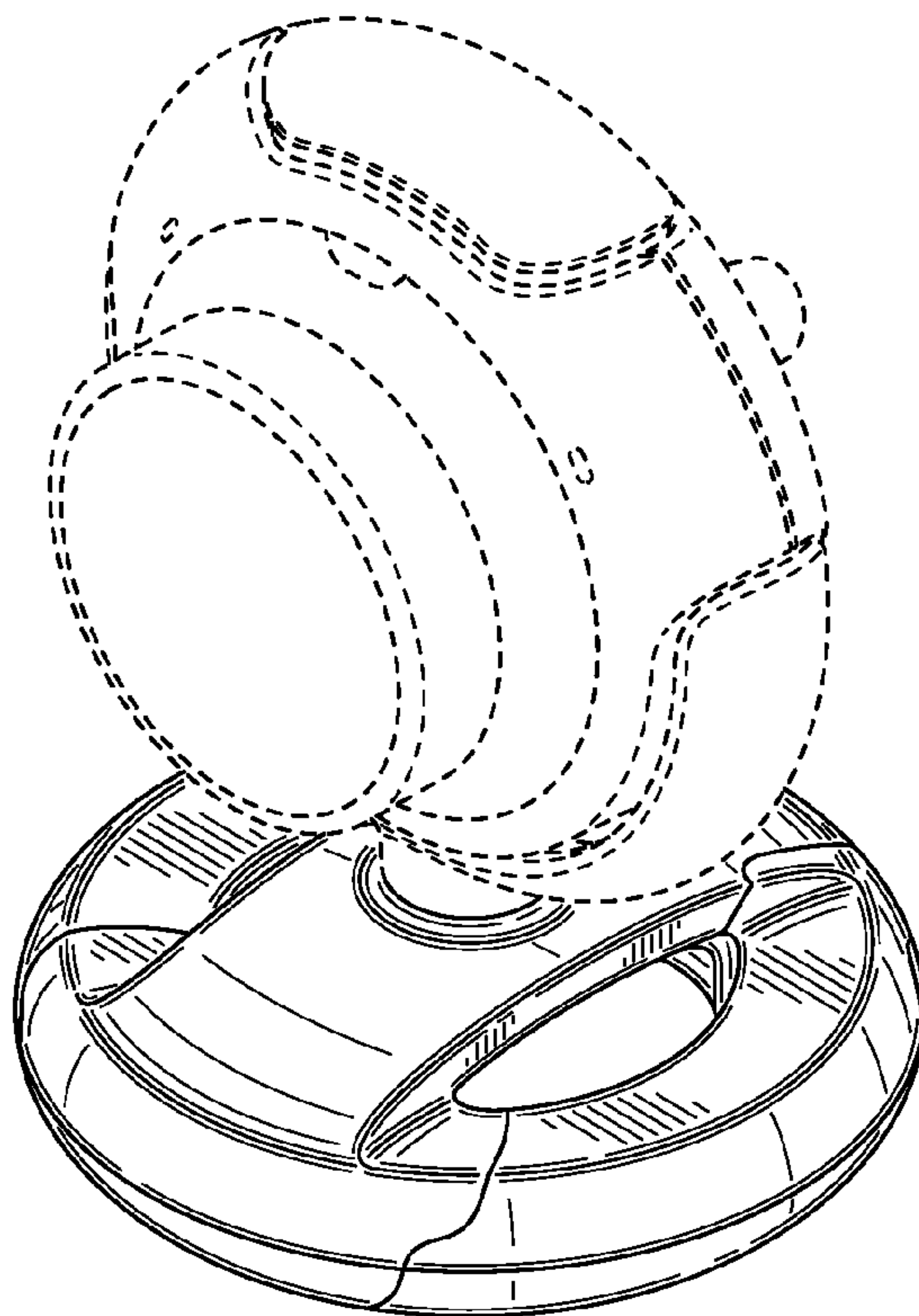
FIG. 5 is a right side view thereof;

FIG. 6 is a top view thereof; and,

FIG. 7 is a bottom view thereof.

The broken line showing of various regions in the figures,  
including the unshaded areas therein, is for illustrative  
purposes and forms no part of the claimed design.

**1 Claim, 4 Drawing Sheets**



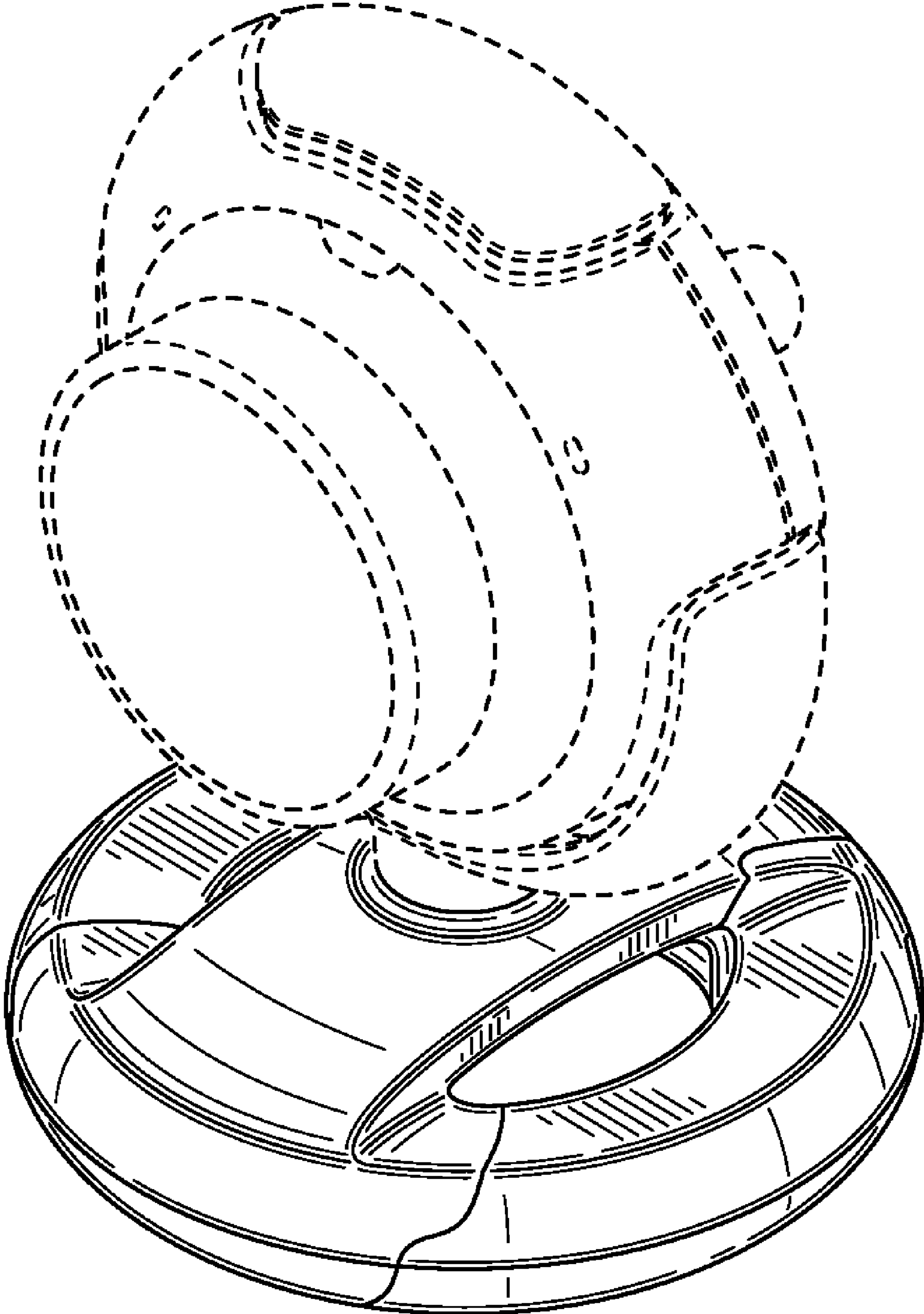


FIG. 1

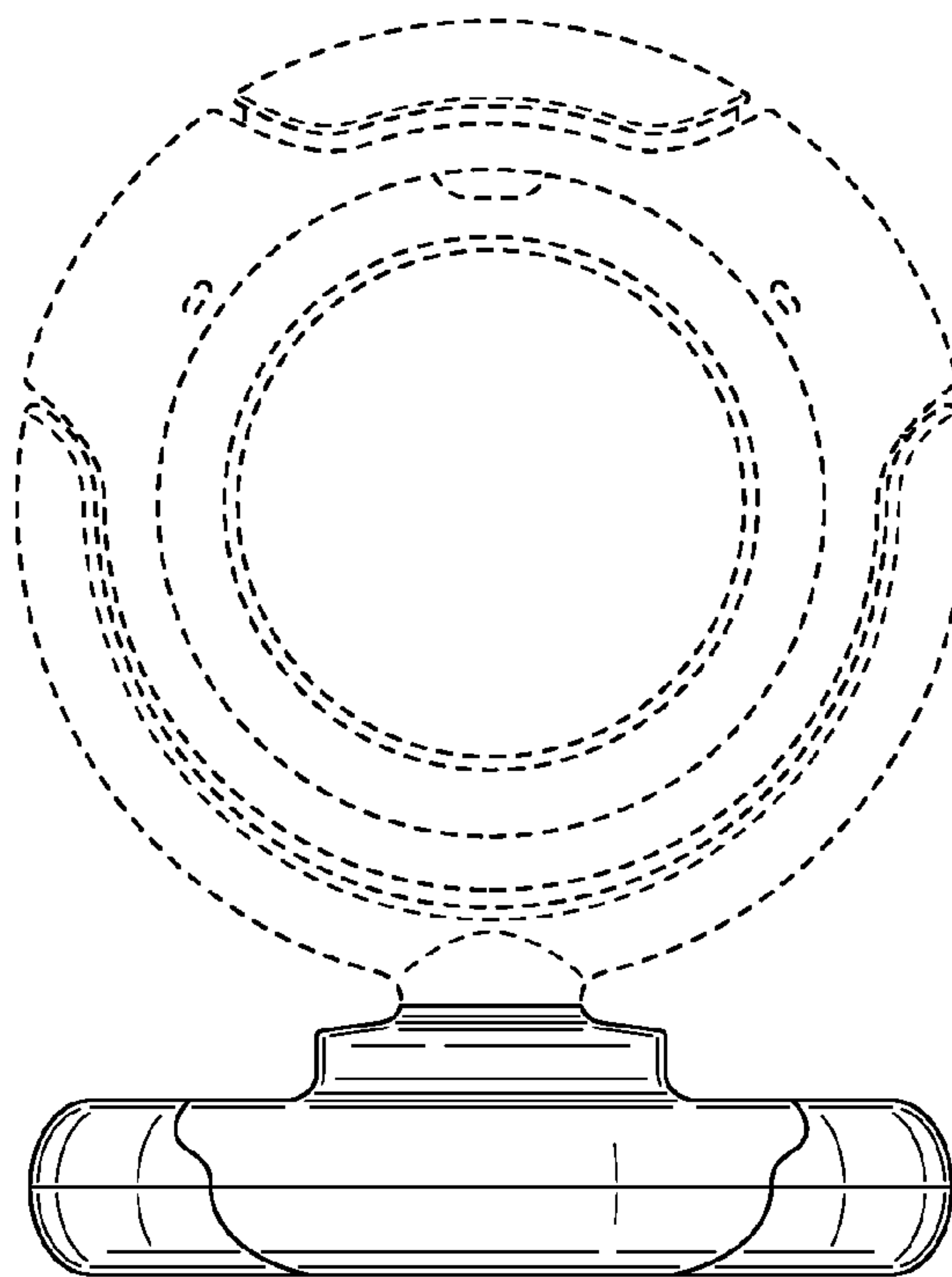


FIG. 2

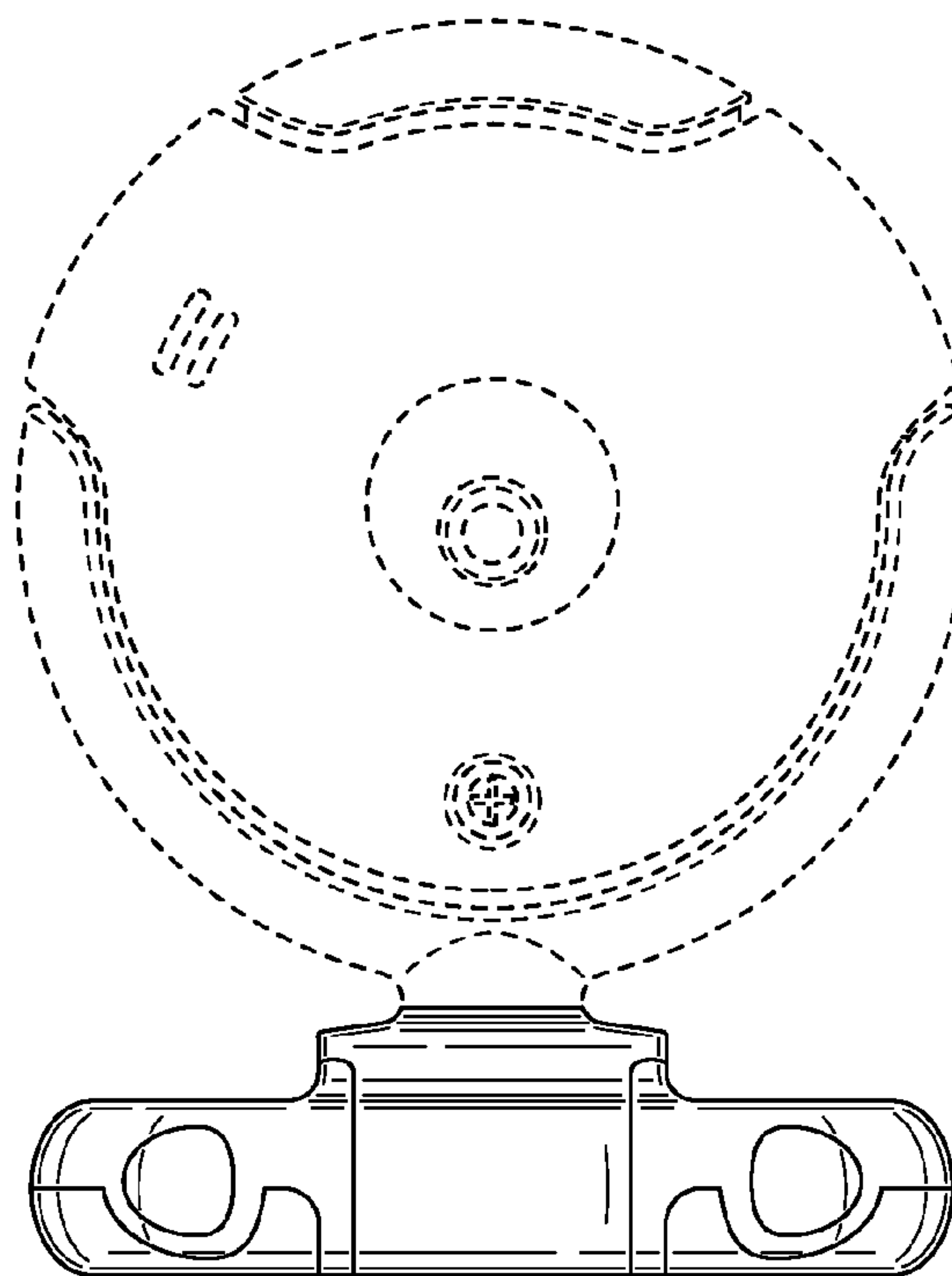


FIG. 3

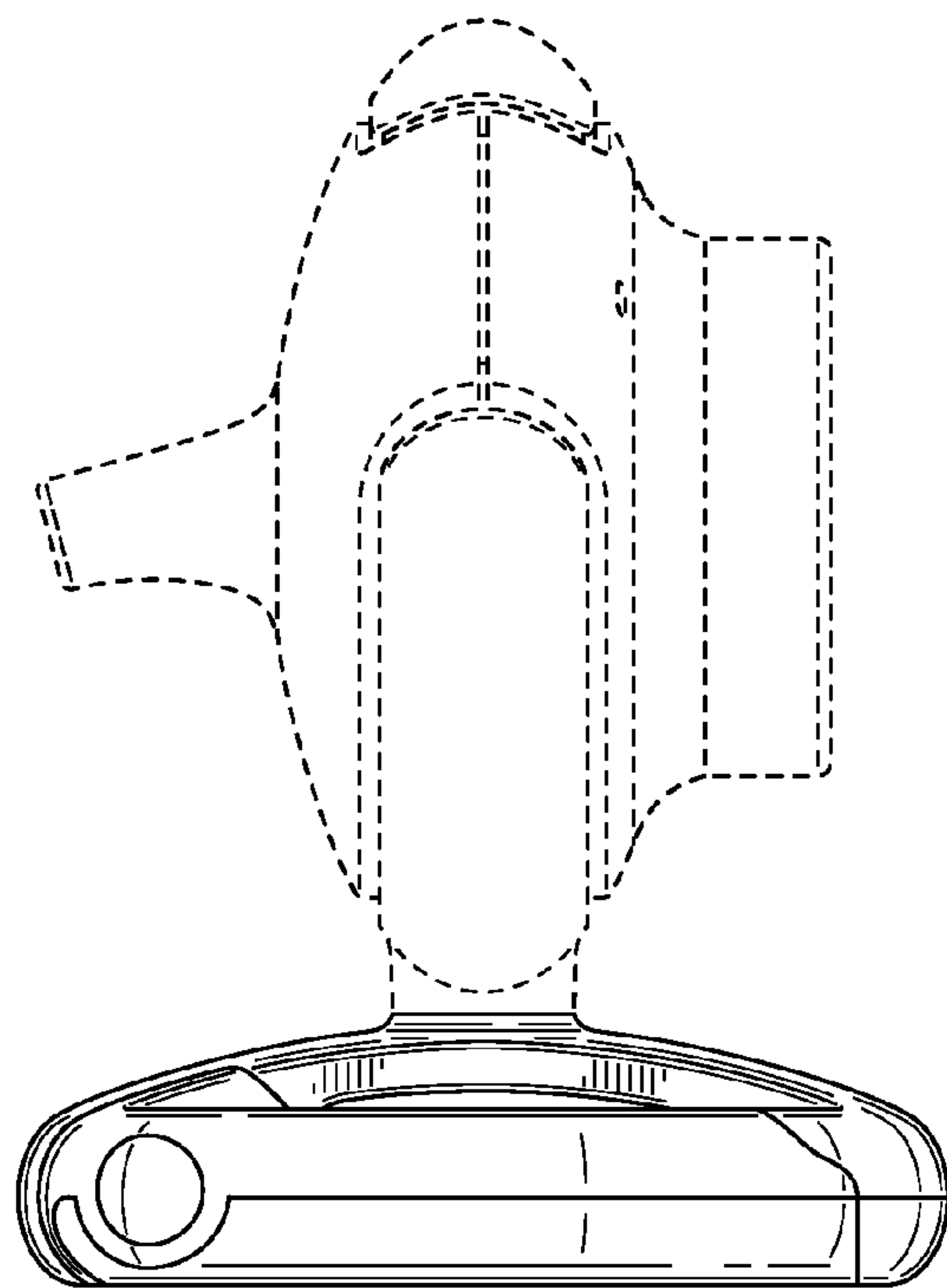


FIG. 4

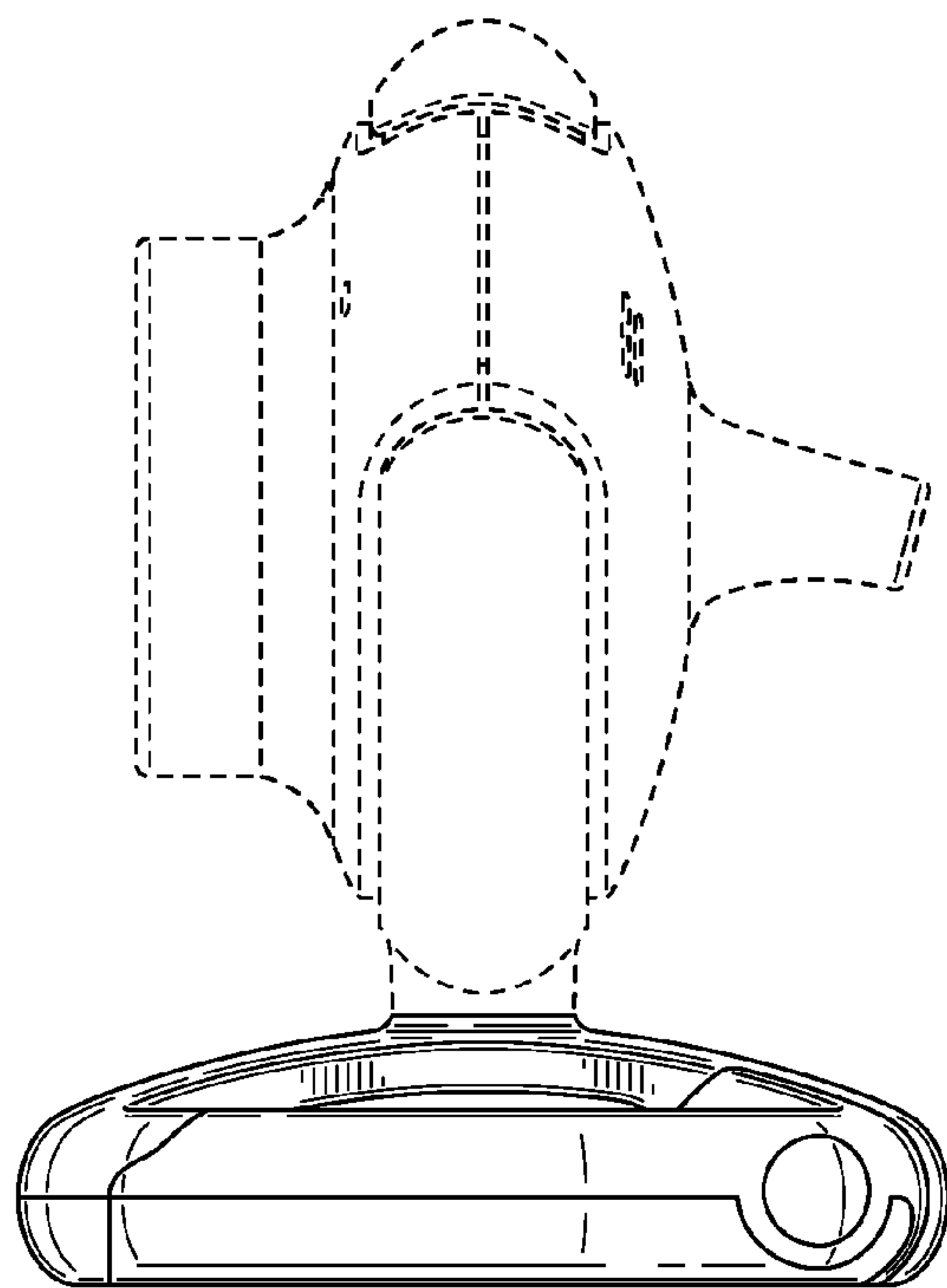


FIG. 5



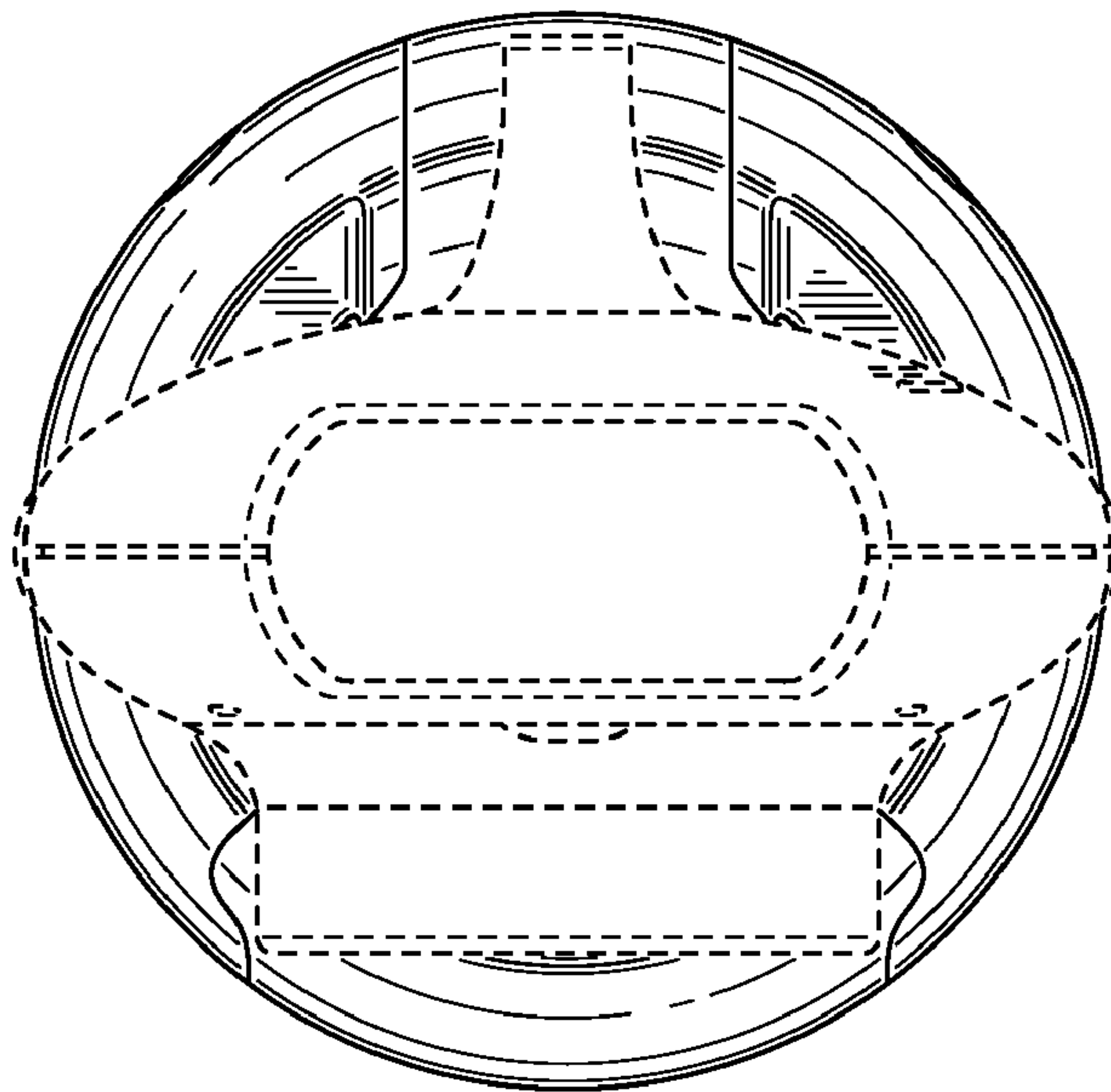


FIG. 6

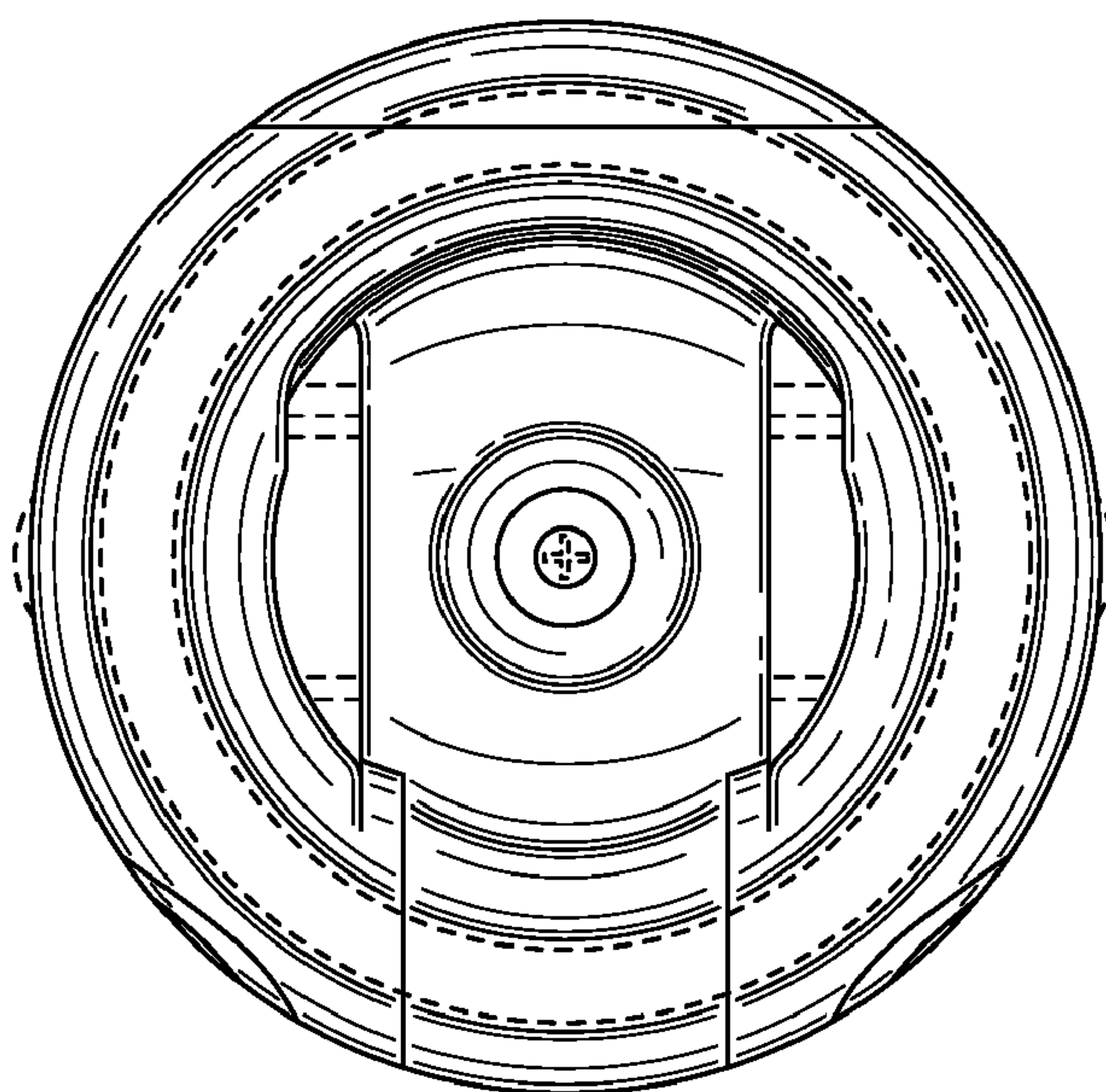


FIG. 7