



US00D557319S

(12) **United States Design Patent** (10) **Patent No.:** **US D557,319 S**
Schoenert et al. (45) **Date of Patent:** **** Dec. 11, 2007**

(54) **DOCKING STATION FOR A PROJECTION DEVICE**

(75) Inventors: **Richard C. Schoenert**, Sherwood, OR (US); **Phillip H. Salvatori**, Salem, OR (US); **Danny Han**, Happy Valley, OR (US); **Richard Scott Walters**, Cedar Grove, WI (US); **Phillip D. Prestigomo**, Port Washington, WI (US)

(73) Assignee: **InFocus Corporation**, Wilsonville, OR (US)

(**) Term: **14 Years**

(21) Appl. No.: **29/245,465**

(22) Filed: **Dec. 22, 2005**

(51) **LOC (8) Cl.** **16-02**

(52) **U.S. Cl.** **D16/235**

(58) **Field of Classification Search** D16/242, D16/237, 205, 208, 213, 229, 231, 221, 225, D16/230, 235; D21/514; D13/160, 162, D13/164, 184, 107, 108; D14/135, 156-157, D14/160-164, 167-168, 188, 193-198, 257-258, D14/265, 128, 434; 353/94, 119, 122, 103, 353/84, 155, 31, 37; 348/744; 349/7-8; 359/443, 449, 460

See application file for complete search history.

(56) **References Cited**

U.S. PATENT DOCUMENTS

D495,336 S * 8/2004 Andre et al. D14/434

7,075,579 B2 * 7/2006 Whitby et al. 348/375
7,145,603 B2 * 12/2006 Whitby et al. 348/375
2004/0179135 A1 * 9/2004 Battles et al. 348/373
2005/0088572 A1 * 4/2005 Pandit et al. 348/375

* cited by examiner

Primary Examiner—Ian Simmons

Assistant Examiner—Wan Laymon

(74) *Attorney, Agent, or Firm*—Alleman Hall McCoy Russell & Tuttle LLP

(57) **CLAIM**

The ornamental design for a docking station for a projection device, as shown and described.

DESCRIPTION

FIG. 1 shows a front perspective view of a docking station for a projection device showing our new design.

FIG. 2 is a rear perspective view thereof.

FIG. 3 is a top view thereof.

FIG. 4 is a bottom view thereof.

FIG. 5 is front view thereof.

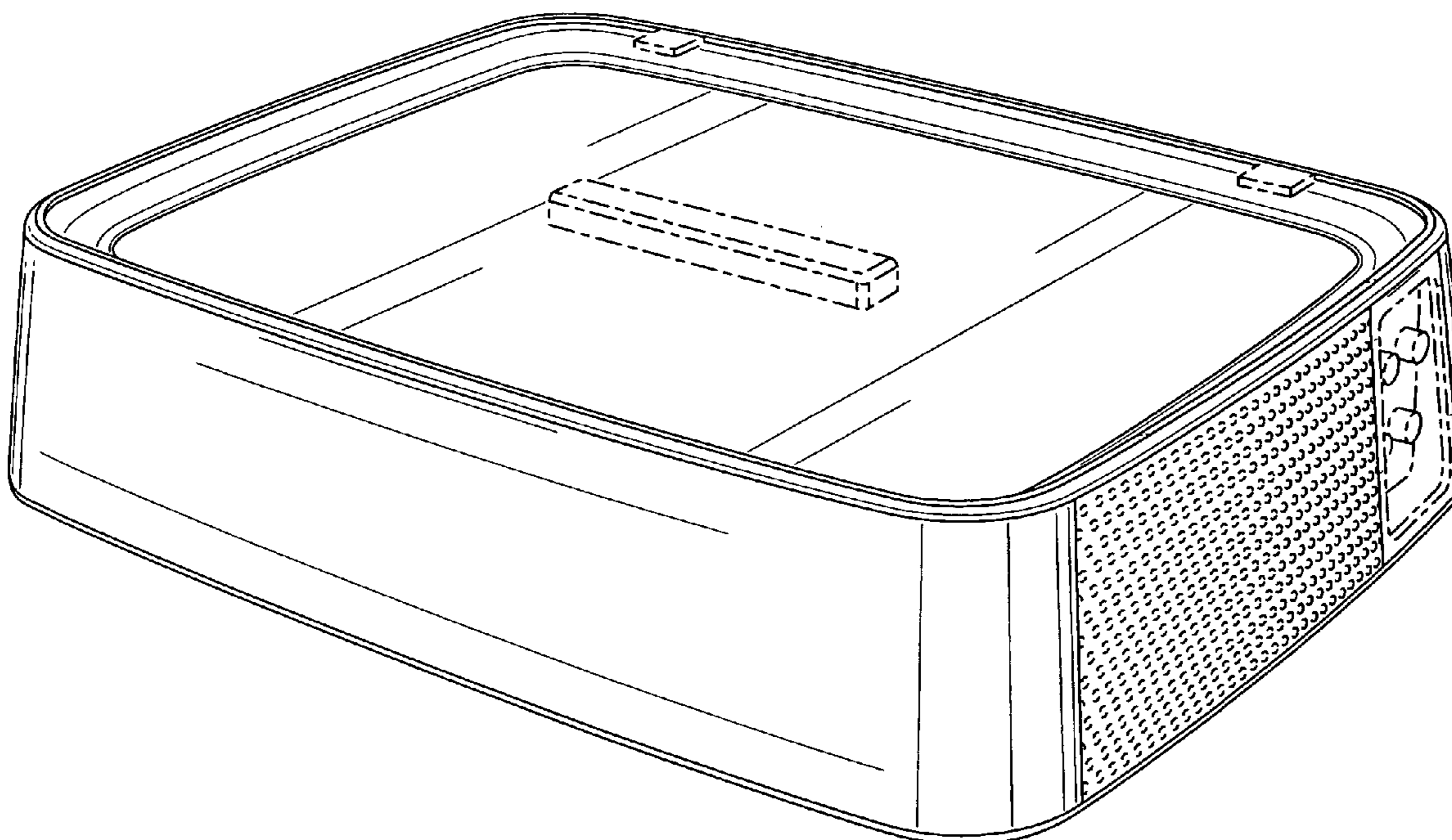
FIG. 6 is a back view thereof.

FIG. 7 is a left-side view thereof; and,

FIG. 8 is a right-side view thereof.

The broken lines shown in the drawings are for illustrative purposes only and form no part of the claimed design.

1 Claim, 8 Drawing Sheets



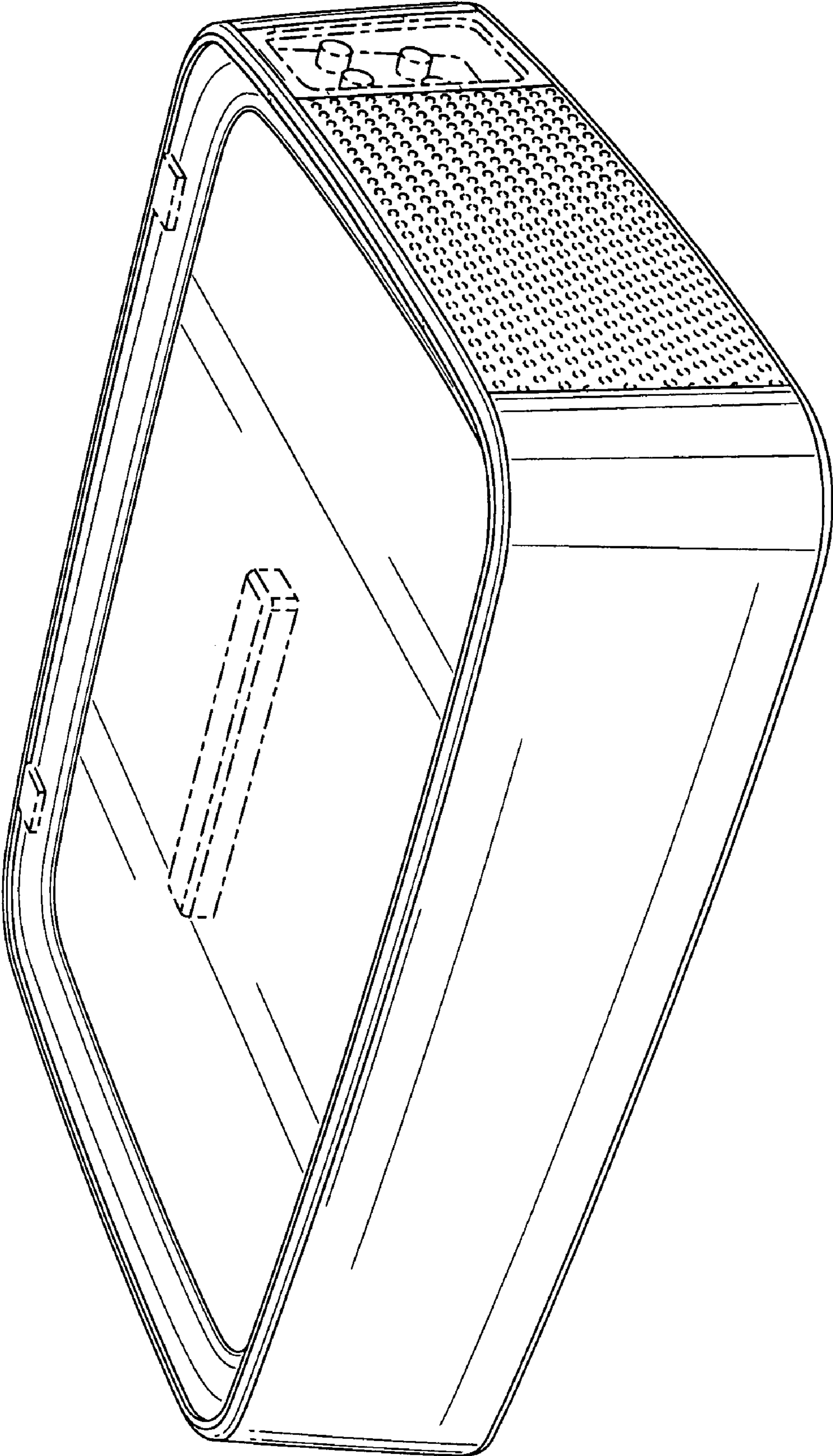


FIG. 1

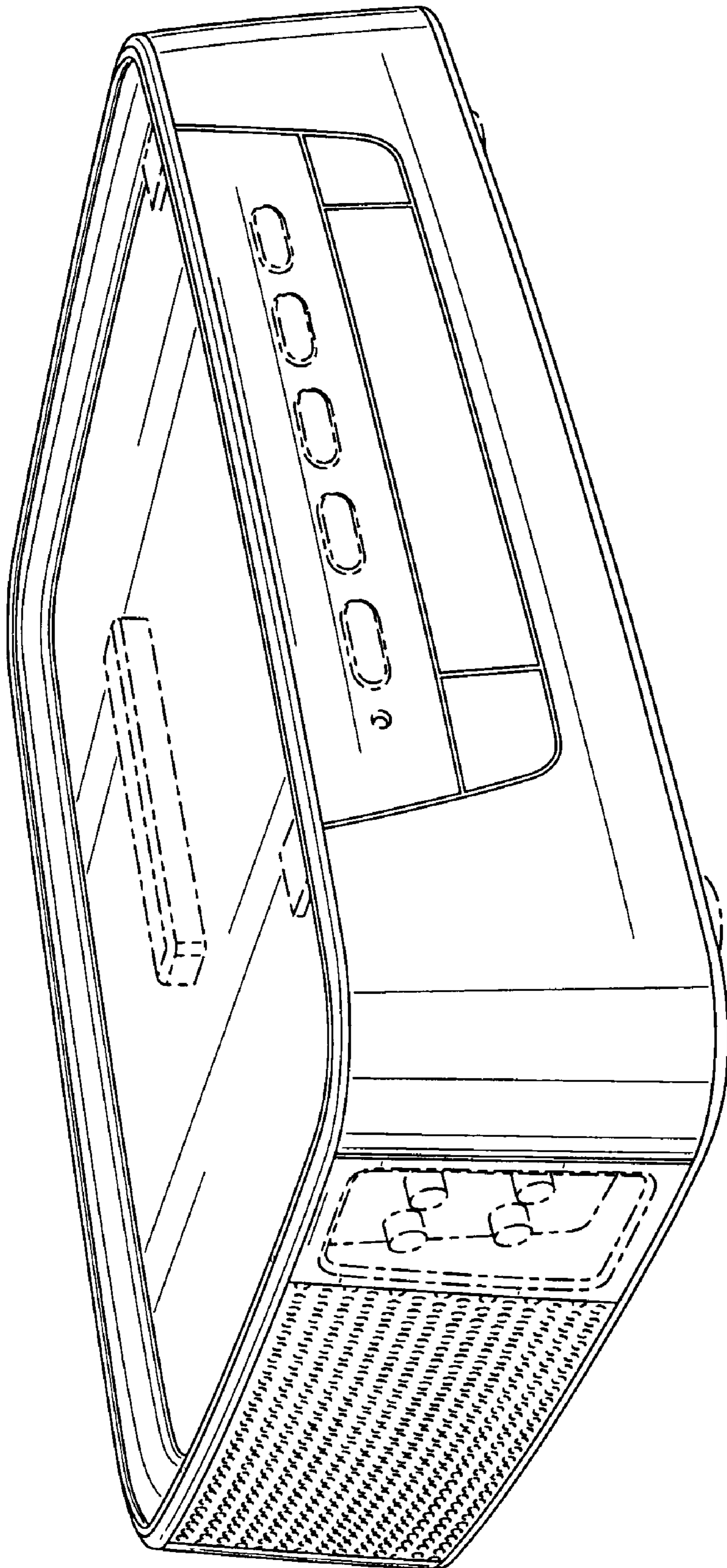


FIG. 2

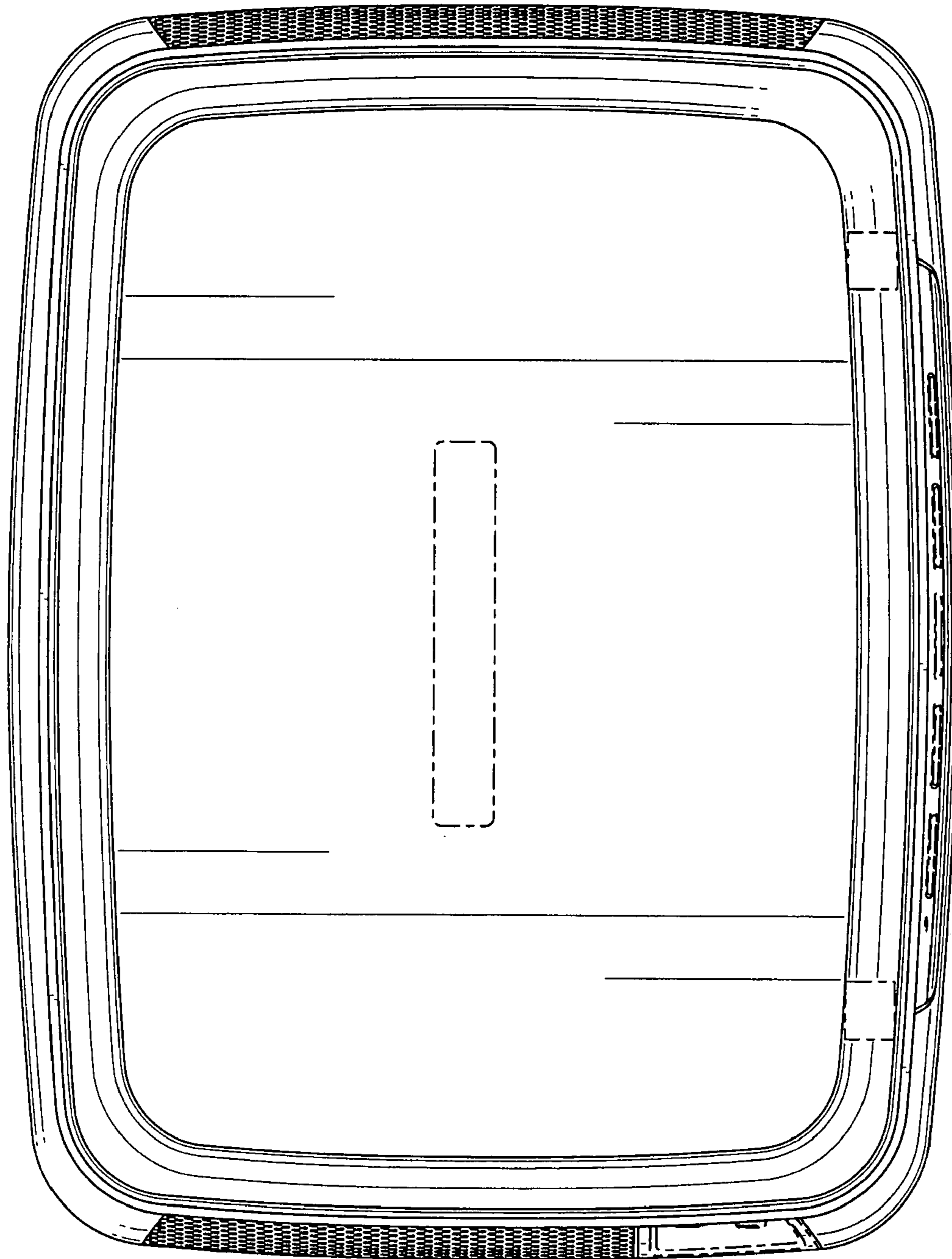


FIG. 3

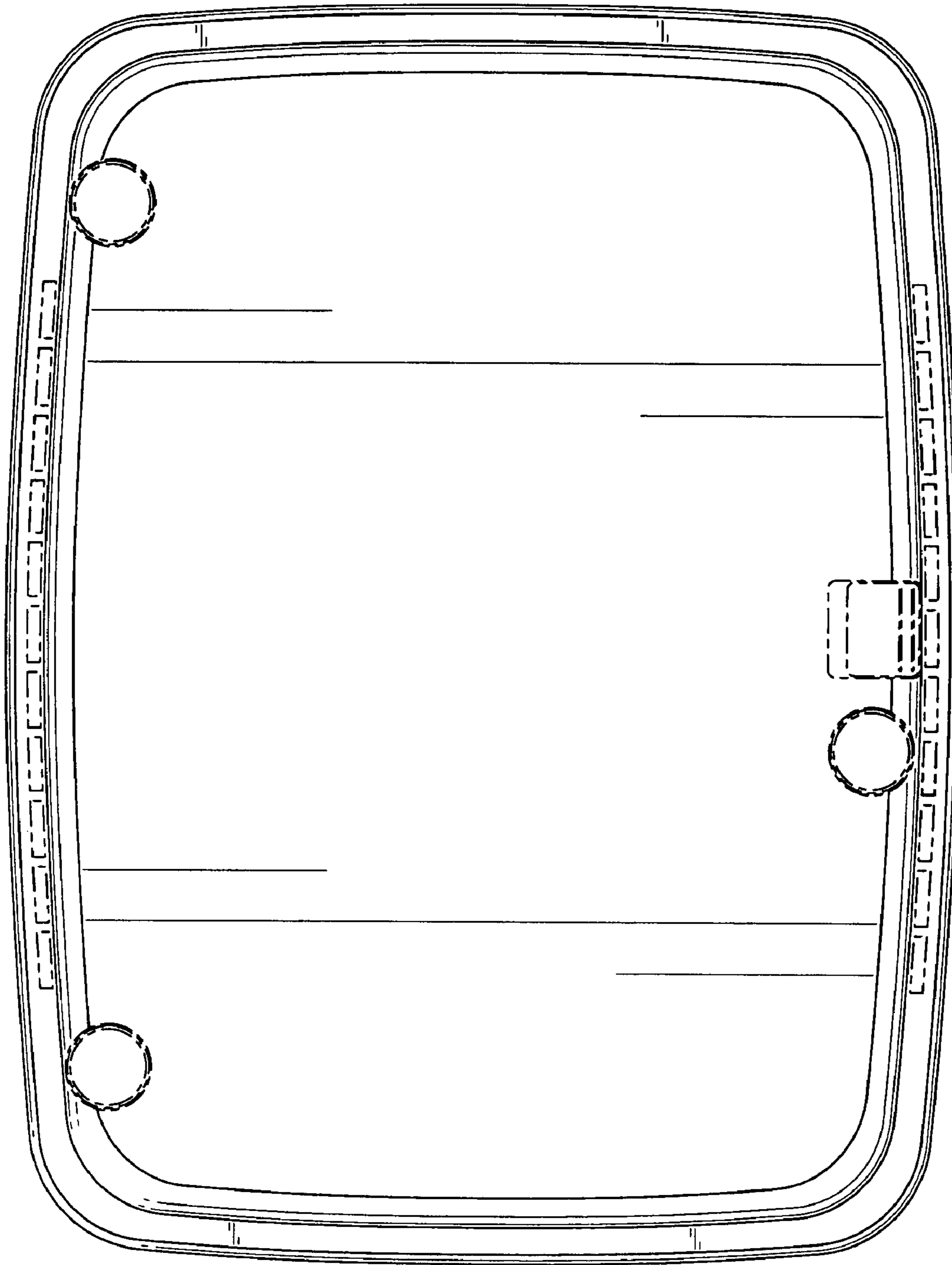


FIG. 4

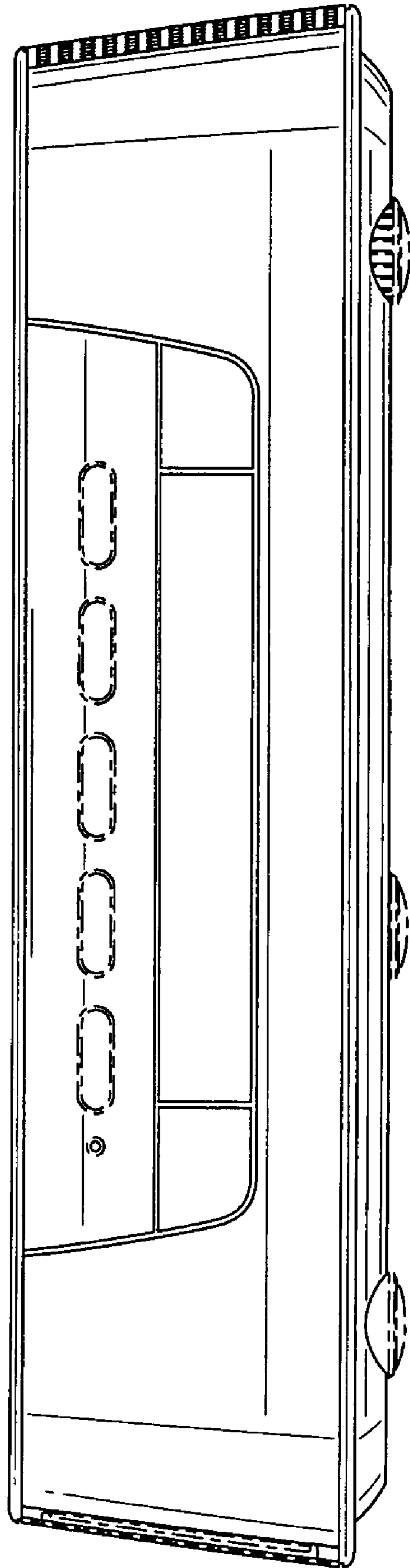


FIG. 5

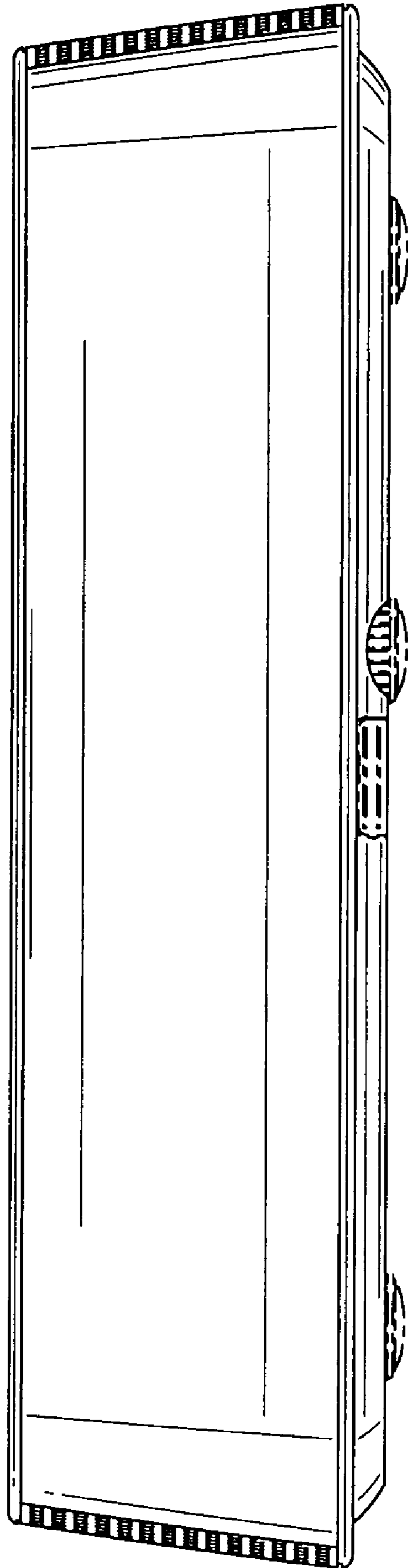


FIG. 6

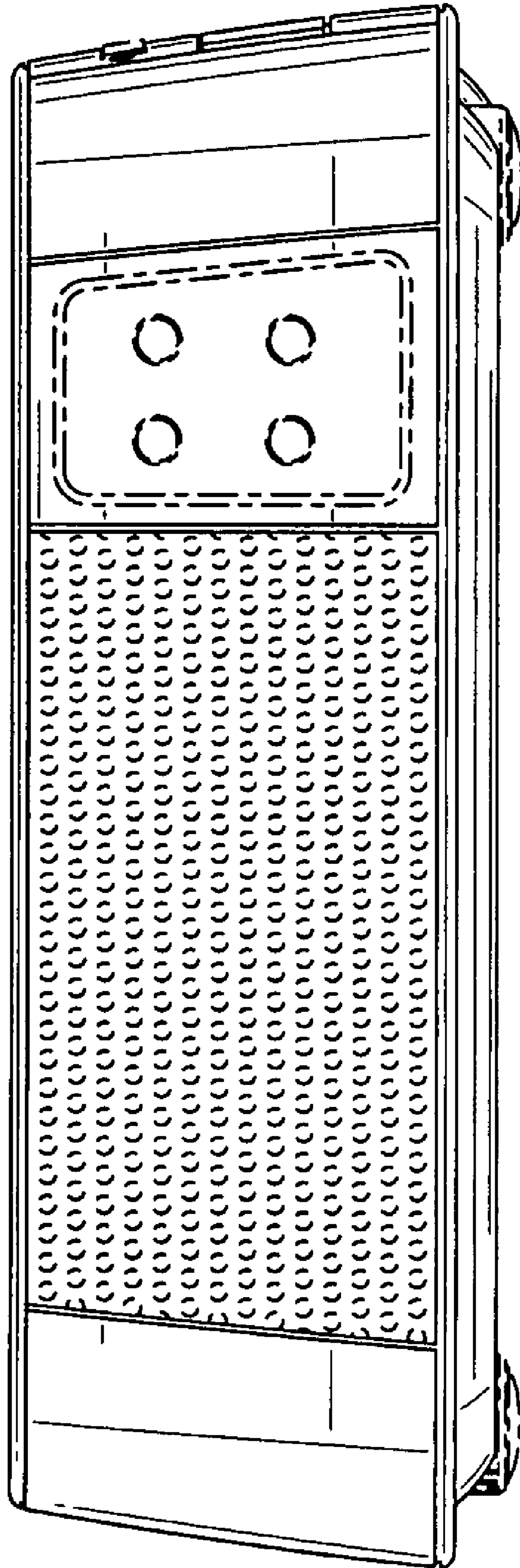


FIG. 7

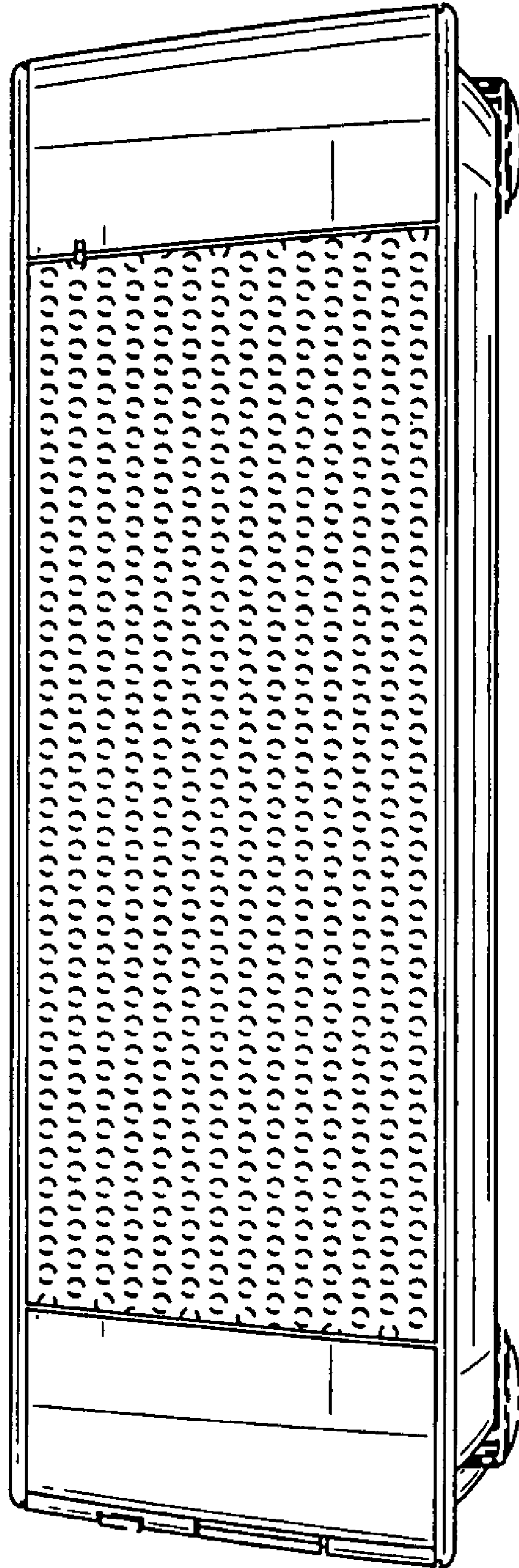


FIG. 8