



US00D557318S

(12) **United States Design Patent** (10) **Patent No.:** **US D557,318 S**
Nishimura et al. (45) **Date of Patent:** **** Dec. 11, 2007**

(54) **LCD VIDEO PROJECTOR**

(75) Inventors: **Hiroaki Nishimura**, Kadoma (JP);
Takashi Tsukahara, Kadoma (JP)

(73) Assignee: **Matsushita Electric Industrial Co., Ltd.**, Osaka (JP)

(**) Term: **14 Years**

(21) Appl. No.: **29/269,707**

(22) Filed: **Dec. 7, 2006**

(30) **Foreign Application Priority Data**

Jun. 12, 2006 (JP) 2006-015122

(51) **LOC (8) Cl.** **16-02**

(52) **U.S. Cl.** **D16/230; D16/225**

(58) **Field of Classification Search** D16/205,
D16/206, 208, 214, 217, 221, 225, 229-232;
D21/514; 353/115, 119, 122

See application file for complete search history.

(56) **References Cited**

U.S. PATENT DOCUMENTS

| | | | |
|--------------|---------|------------------|---------------|
| D401,955 S | 12/1998 | Kawamoto et al. | |
| D402,679 S | 12/1998 | Kawamoto et al. | |
| D418,532 S | 1/2000 | Kuramoto et al. | |
| D421,037 S | 2/2000 | Kawamoto et al. | |
| D425,097 S | 5/2000 | Kuramoto | |
| D439,923 S | 4/2001 | Kawamoto | |
| D454,903 S | 3/2002 | Kawamoto et al. | |
| D463,475 S * | 9/2002 | Kawashima | D16/230 |
| D476,353 S | 6/2003 | Morishita et al. | |
| D477,833 S * | 7/2003 | Kurokawa et al. | D16/230 |
| D480,410 S | 10/2003 | Morishita et al. | |
| D482,381 S | 11/2003 | Morishita et al. | |
| D482,716 S | 11/2003 | Azuma et al. | |

| | | | |
|--------------|---------|------------------|---------------|
| D489,391 S | 5/2004 | Morishita et al. | |
| D491,973 S | 6/2004 | Morishita et al. | |
| D492,714 S | 7/2004 | Morishita et al. | |
| D498,781 S | 11/2004 | Azuma et al. | |
| D506,771 S * | 6/2005 | Ooshima et al. | D16/230 |
| D516,603 S * | 3/2006 | Yeh et al. | D16/230 |
| D527,408 S | 8/2006 | Azuma | |
| D545,340 S * | 6/2007 | Azuma | D16/230 |
| D545,861 S * | 7/2007 | Naruki | D16/230 |
| D545,865 S * | 7/2007 | Azuma et al. | D16/230 |

FOREIGN PATENT DOCUMENTS

| | | |
|----|-----------|---------|
| JP | D 1239925 | 5/2005 |
| JP | D 1255779 | 11/2005 |

* cited by examiner

Primary Examiner—Ian Simmons

Assistant Examiner—Wan Laymon

(74) *Attorney, Agent, or Firm*—Brinks Hofer Gilson & Lione

(57) **CLAIM**

We claim the ornamental design for a LCD video projector, as shown and described.

DESCRIPTION

FIG. 1 is a top perspective view of a LCD video projector of the present invention;

FIG. 2 is a front view thereof;

FIG. 3 is a rear view thereof;

FIG. 4 is a first side view thereof;

FIG. 5 is a second side view thereof;

FIG. 6 is a top view thereof; and,

FIG. 7 is a bottom view thereof.

1 Claim, 4 Drawing Sheets

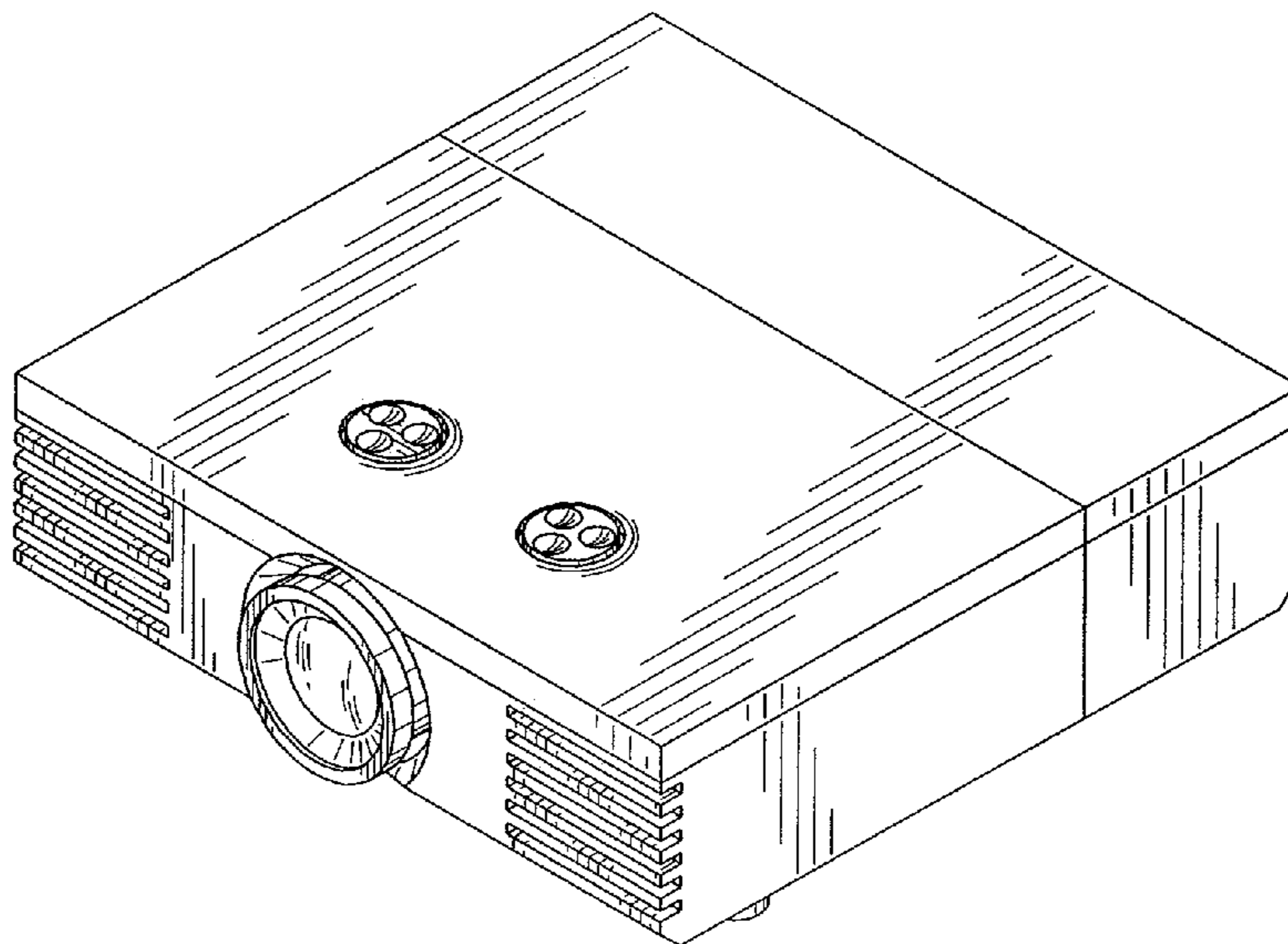


FIG.1

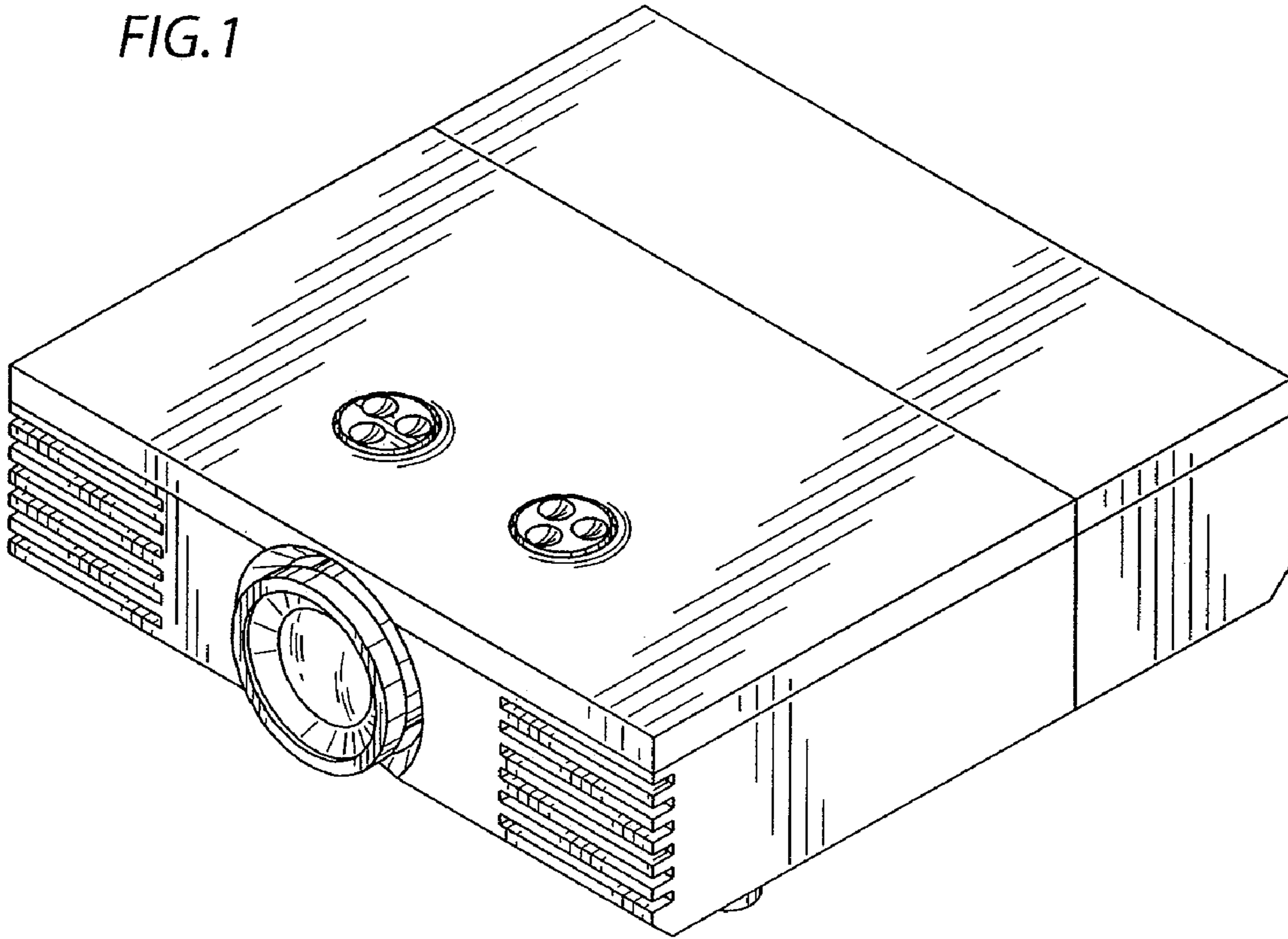


FIG.2

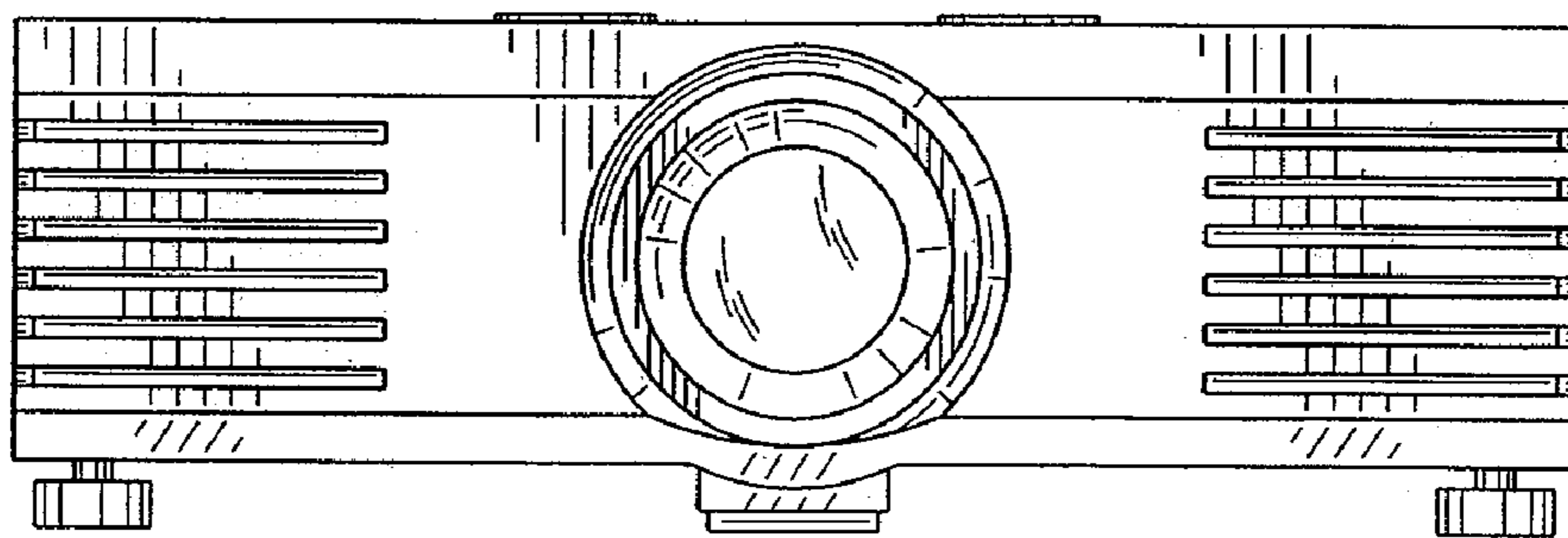


FIG.3

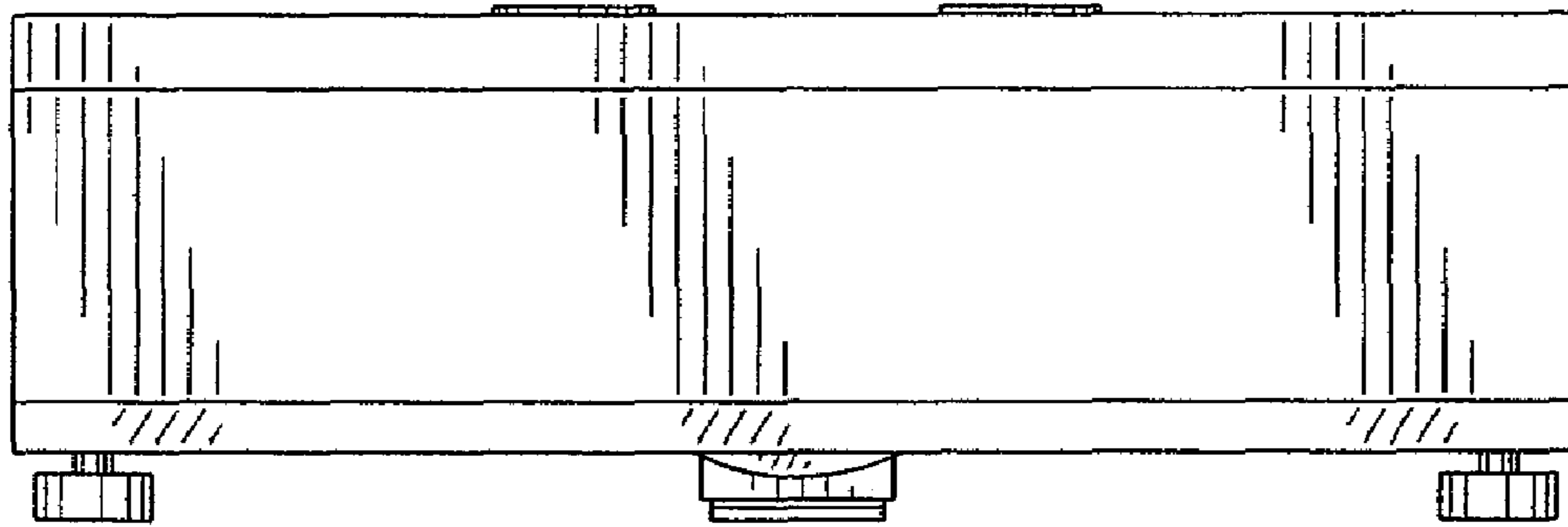


FIG.4

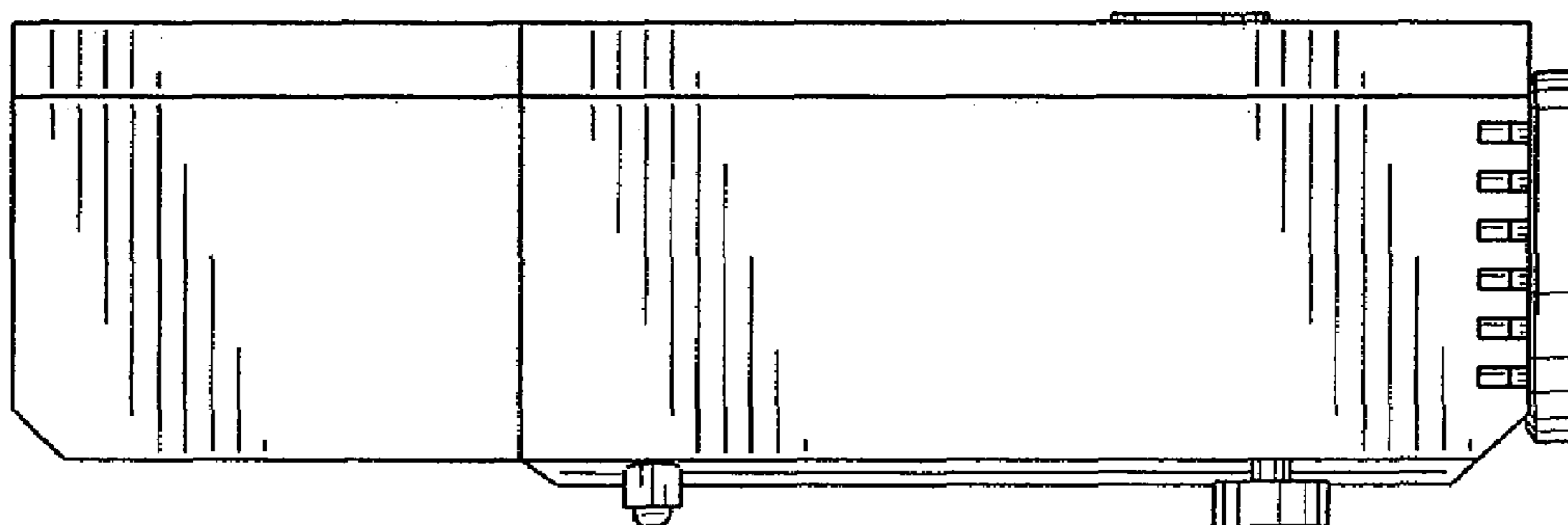


FIG.5

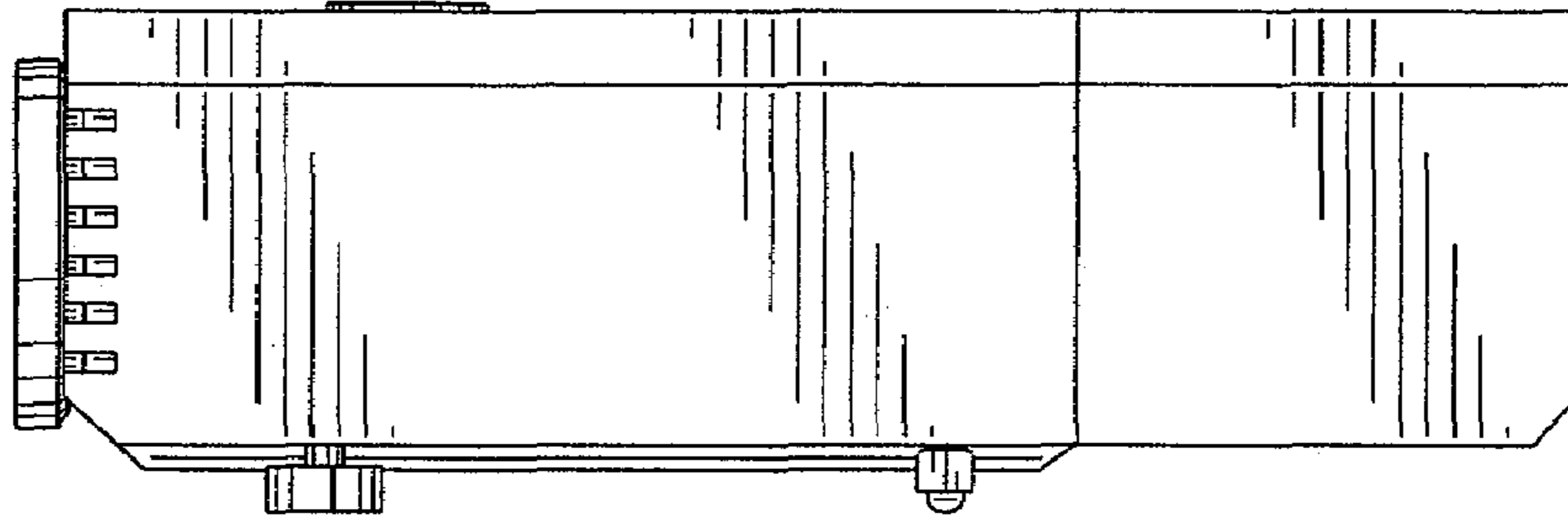


FIG.6

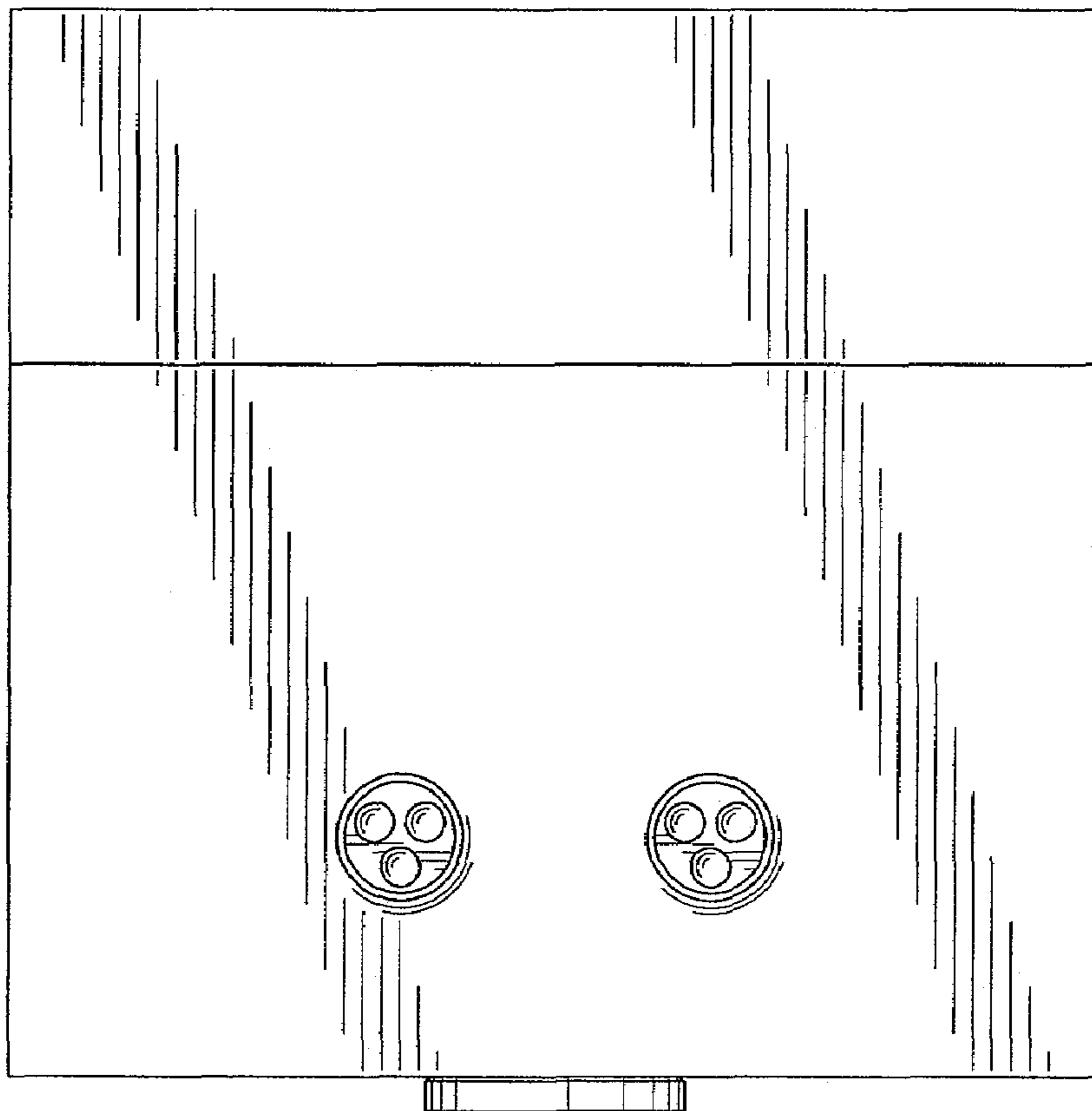


FIG. 7

