



US00D557316S

(12) **United States Design Patent**
Bang et al.

(10) **Patent No.:** **US D557,316 S**

(45) **Date of Patent:** **** Dec. 11, 2007**

(54) **PROJECTOR FOR COMPUTER**

(75) Inventors: **Yong-Seok Bang**, Seoul (KR);
Sung-Jin Ann, Seoul (KR)

(73) Assignee: **Samsung Electronics Co., Ltd.**,
Kyunggi-do (KR)

(**) Term: **14 Years**

(21) Appl. No.: **29/236,119**

(22) Filed: **Aug. 11, 2005**

(51) **LOC (8) Cl.** **16-02**

(52) **U.S. Cl.** **D16/221**

(58) **Field of Classification Search** D16/200–206,
D16/208, 221, 225, 229–232; D21/514;
348/373, 375; 396/419, 427, 535, 537; 353/115,
353/119, 122

See application file for complete search history.

(56) **References Cited**

U.S. PATENT DOCUMENTS

- D380,000 S * 6/1997 Nakada et al. D16/202
- D380,485 S * 7/1997 Grunwald D16/232
- D399,860 S * 10/1998 Huang D16/202
- D426,249 S * 6/2000 Tsujimoto D16/202
- D434,057 S * 11/2000 Whitby et al. D16/202
- 6,587,151 B1 * 7/2003 Cipolla et al. 348/373

- D489,743 S * 5/2004 Owada D16/203
- D500,511 S * 1/2005 Sybilrud D16/203
- D536,719 S * 2/2007 Lukic et al. D16/202

* cited by examiner

Primary Examiner—Ian Simmons

Assistant Examiner—Wan Laymon

(74) *Attorney, Agent, or Firm*—Flynn, Thiel, Boutell &
Tanis, P.C.

(57) **CLAIM**

The ornamental design for a projector for computer, as shown and described.

DESCRIPTION

FIG. 1. is a top front perspective view of a projector for computer showing our new design.

FIG. 2. is a front elevational view thereof.

FIG. 3. is a rear elevational view thereof.

FIG. 4. is a left side elevational view thereof.

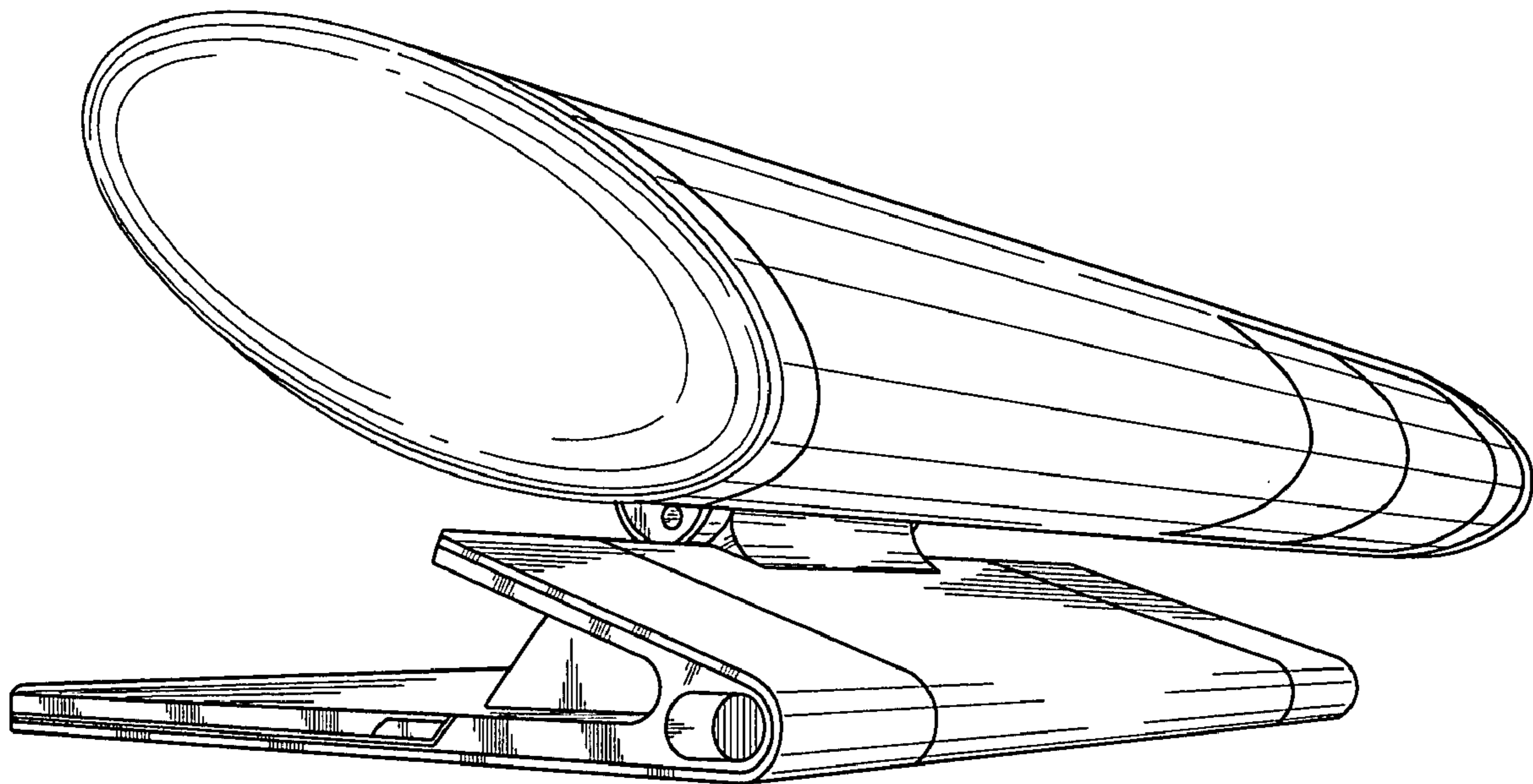
FIG. 5. is a right side elevational view thereof.

FIG. 6. is a top plan view thereof; and,

FIG. 7. is a bottom plan view thereof.

The broken lines in FIG. 7 are for illustrative purposes only and form no part of the claimed design.

1 Claim, 4 Drawing Sheets



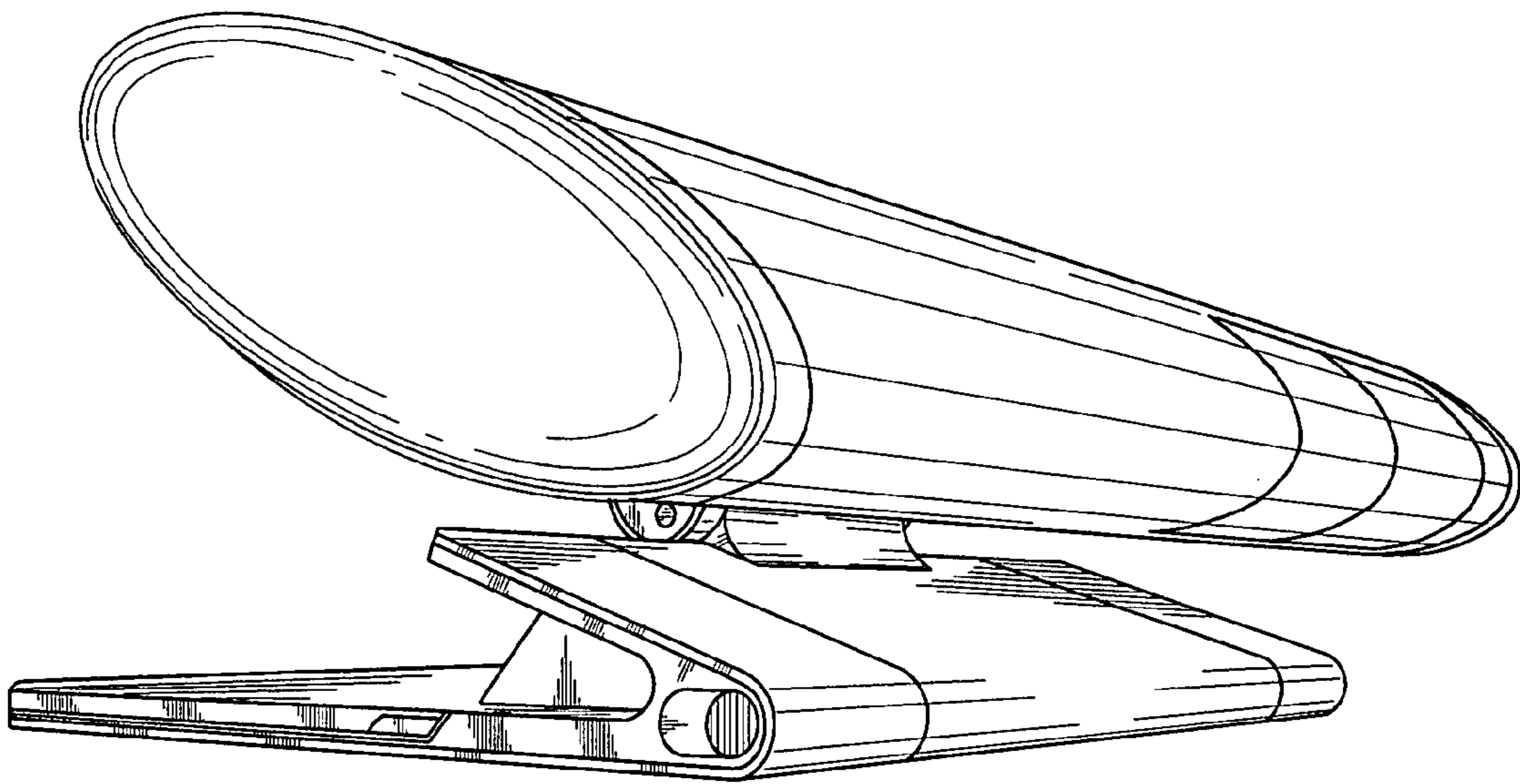


FIG. 1

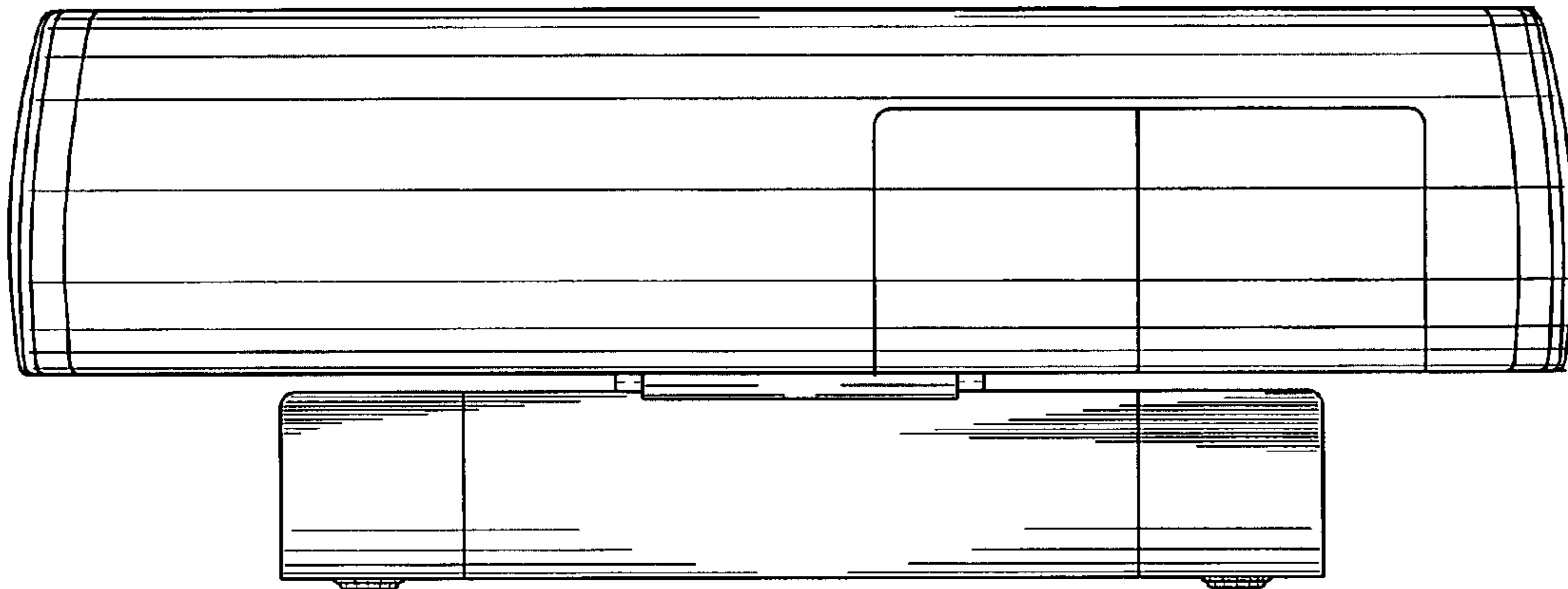


FIG. 2

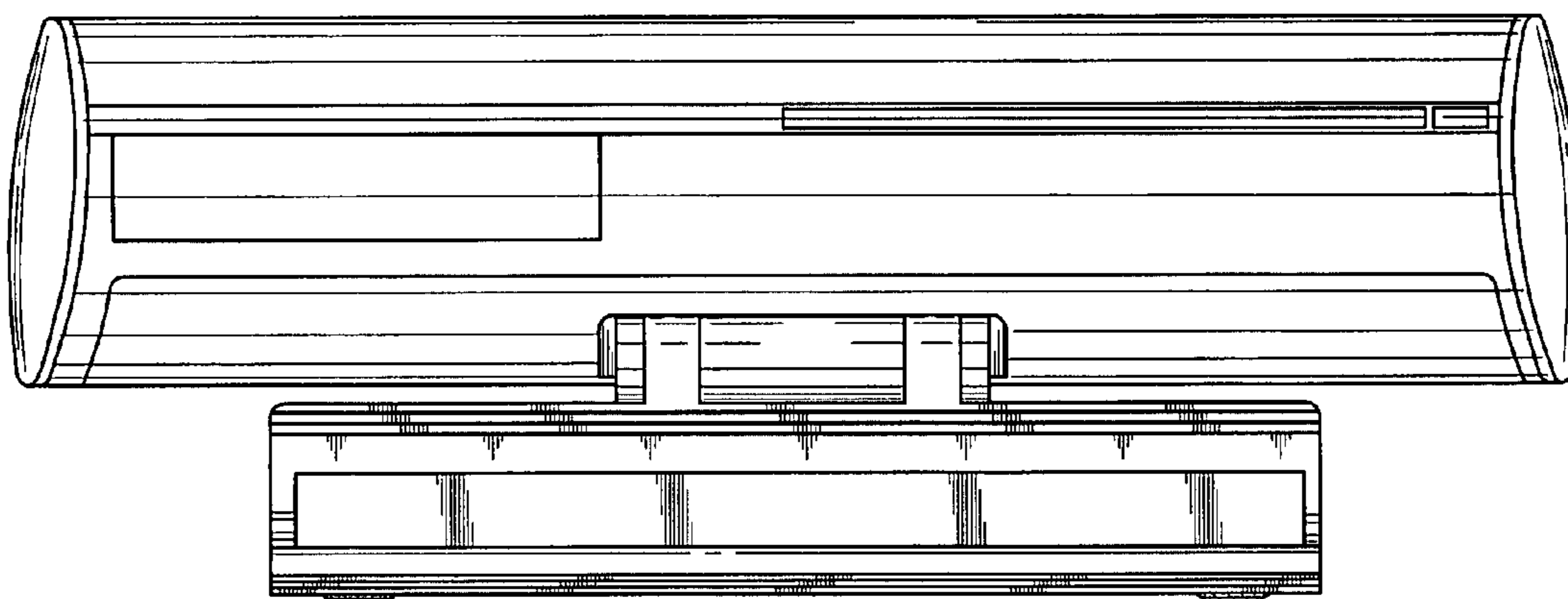


FIG. 3

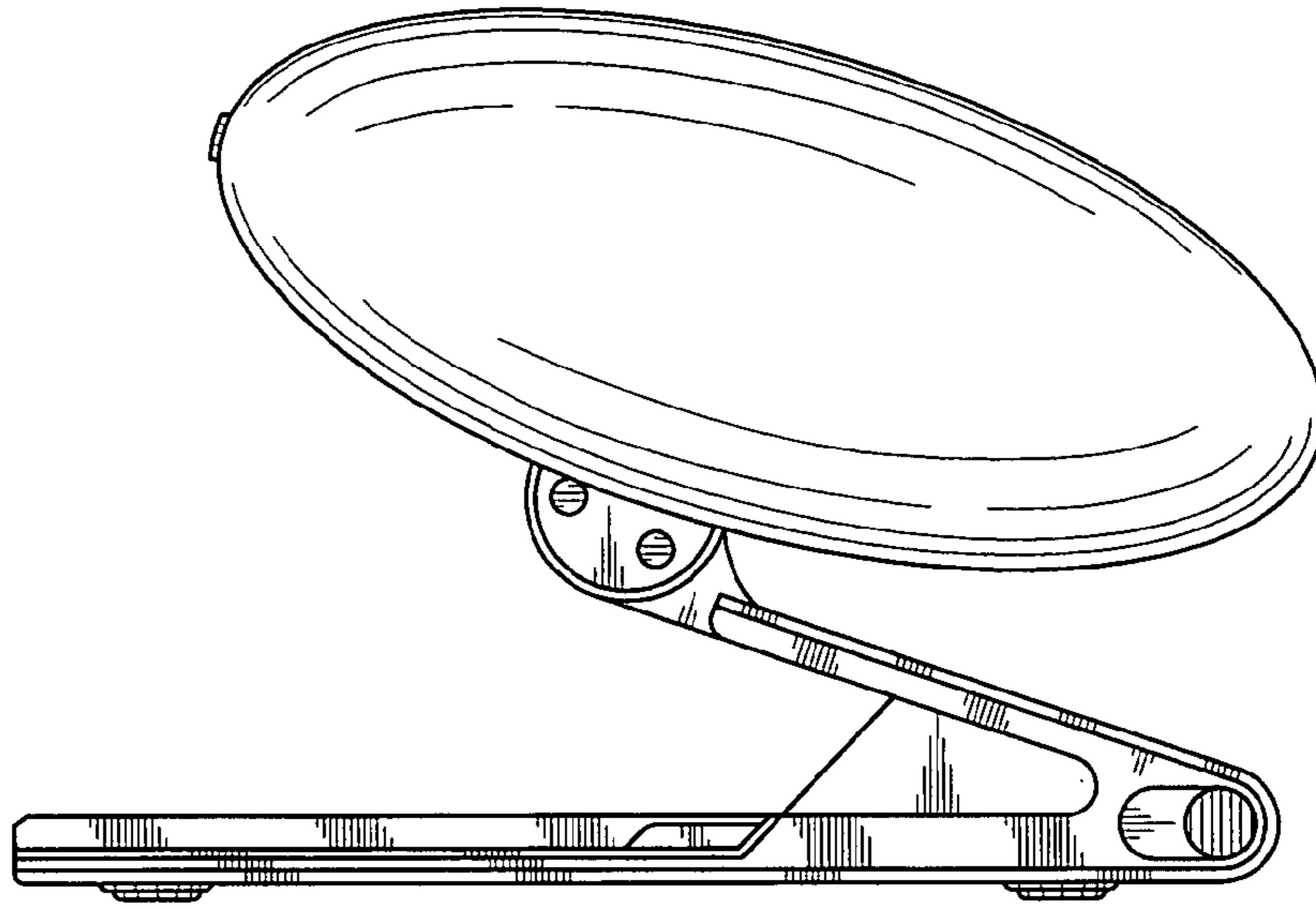


FIG. 4

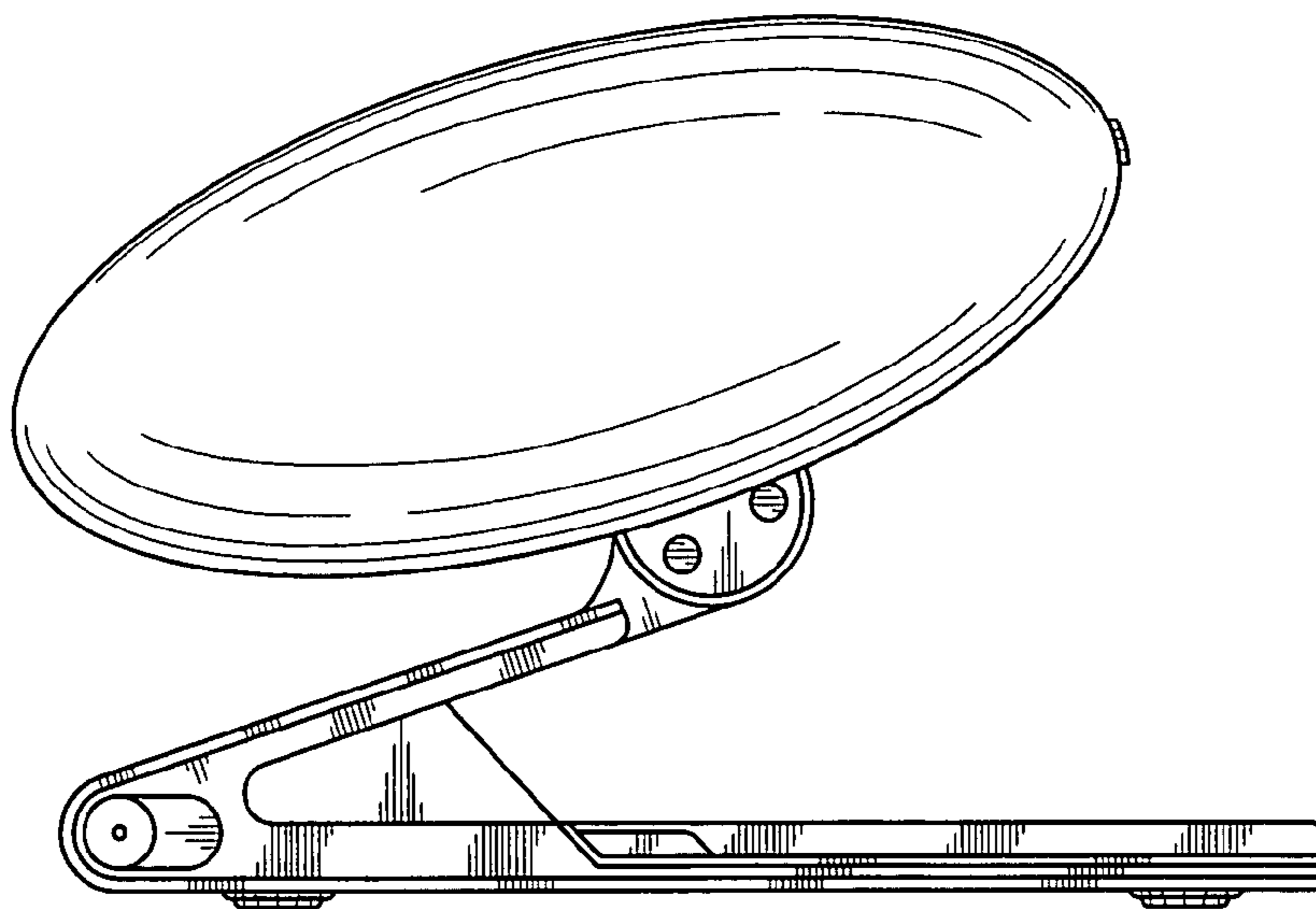


FIG. 5

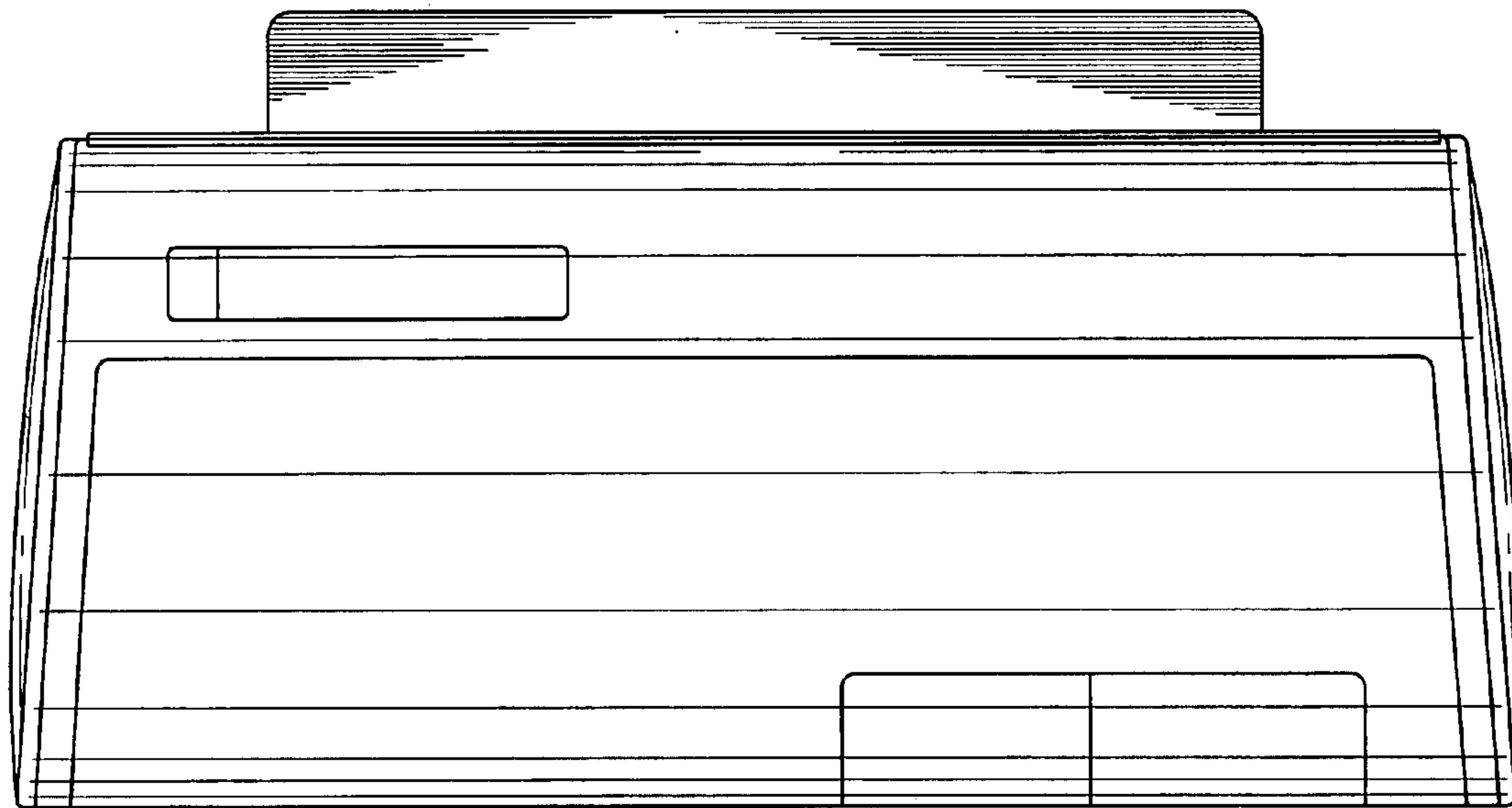


FIG. 6

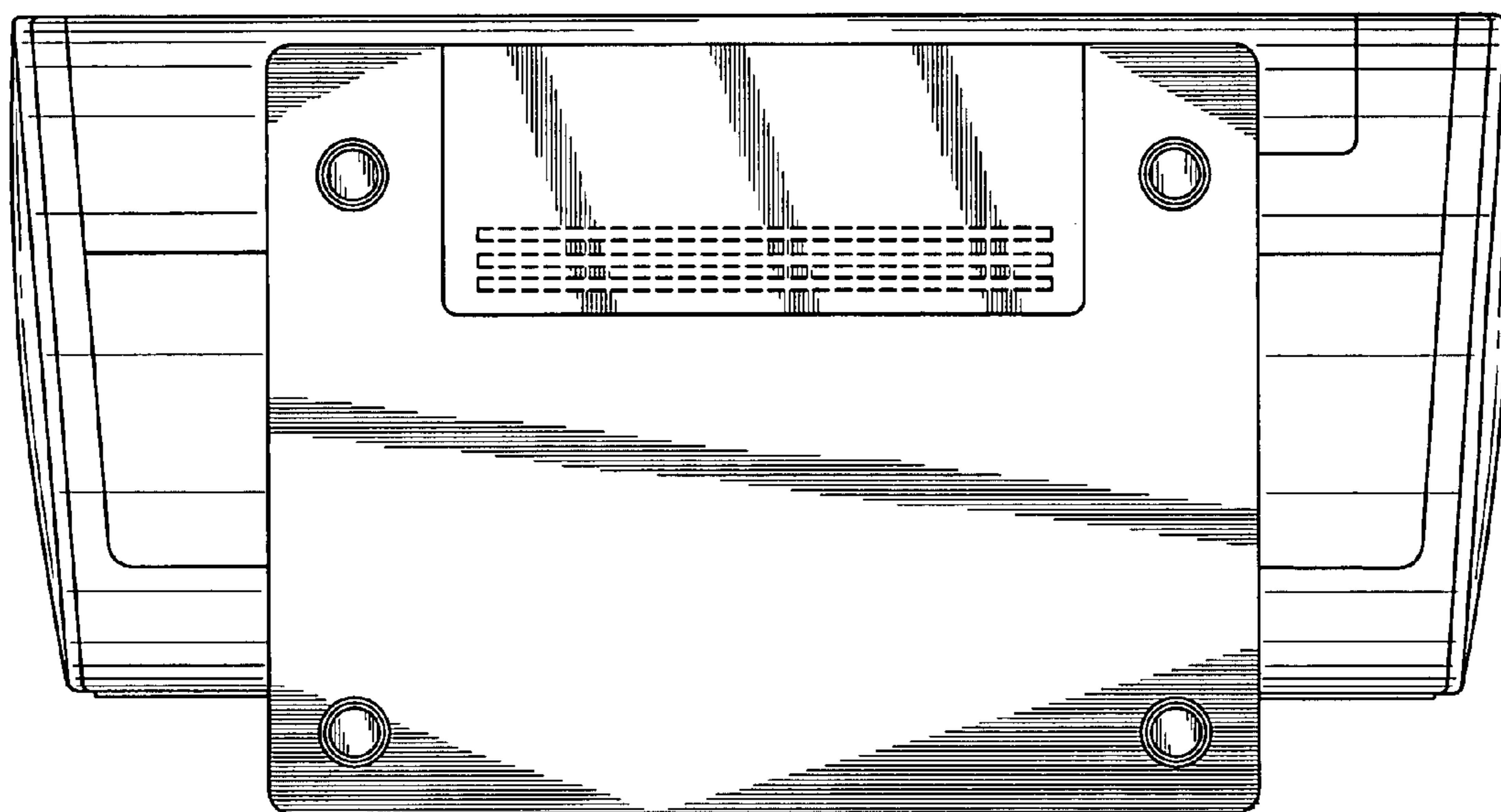


FIG. 7