



US00D557314S

(12) **United States Design Patent**
Nasu

(10) **Patent No.:** **US D557,314 S**

(45) **Date of Patent:** **** Dec. 11, 2007**

(54) **DIGITAL CAMERA**

2005/0012852 A1* 1/2005 Gann et al. 348/373
2007/0058045 A1* 3/2007 Misawa 348/207.99

(75) Inventor: **Miyoshi Nasu**, Tokyo (JP)

OTHER PUBLICATIONS

(73) Assignee: **PENTAX Corporation**, Tokyo (JP)

U.S. Appl. No. 29/262,658, filed Jul. 10, 2006, Pentax Corporation.

(**) Term: **14 Years**

* cited by examiner

(21) Appl. No.: **29/262,668**

Primary Examiner—Ian Simmons

Assistant Examiner—Wan Laymon

(22) Filed: **Jul. 10, 2006**

(74) *Attorney, Agent, or Firm*—Sughrue Mion, PLLC

(30) **Foreign Application Priority Data**

(57) **CLAIM**

Jan. 13, 2006 (JP) 2006-000468

The ornamental design for a digital camera, as shown and described.

(51) **LOC (8) Cl.** **16-05**

DESCRIPTION

(52) **U.S. Cl.** **D16/219; D16/205**

(58) **Field of Classification Search** D16/200–206,
D16/208–209, 211, 213, 217–218; D21/514;
348/373–376; 358/906, 909.1; 396/535–541
See application file for complete search history.

FIG. 1 is a perspective view of the top, front and right side of a digital camera showing my new design;

FIG. 2 is a top plan view thereof;

FIG. 3 is a front elevational view thereof;

FIG. 4 is a left side elevational view thereof;

FIG. 5 is a right side elevational view thereof;

FIG. 6 is rear elevational view thereof; and,

FIG. 7 is a bottom plan view thereof.

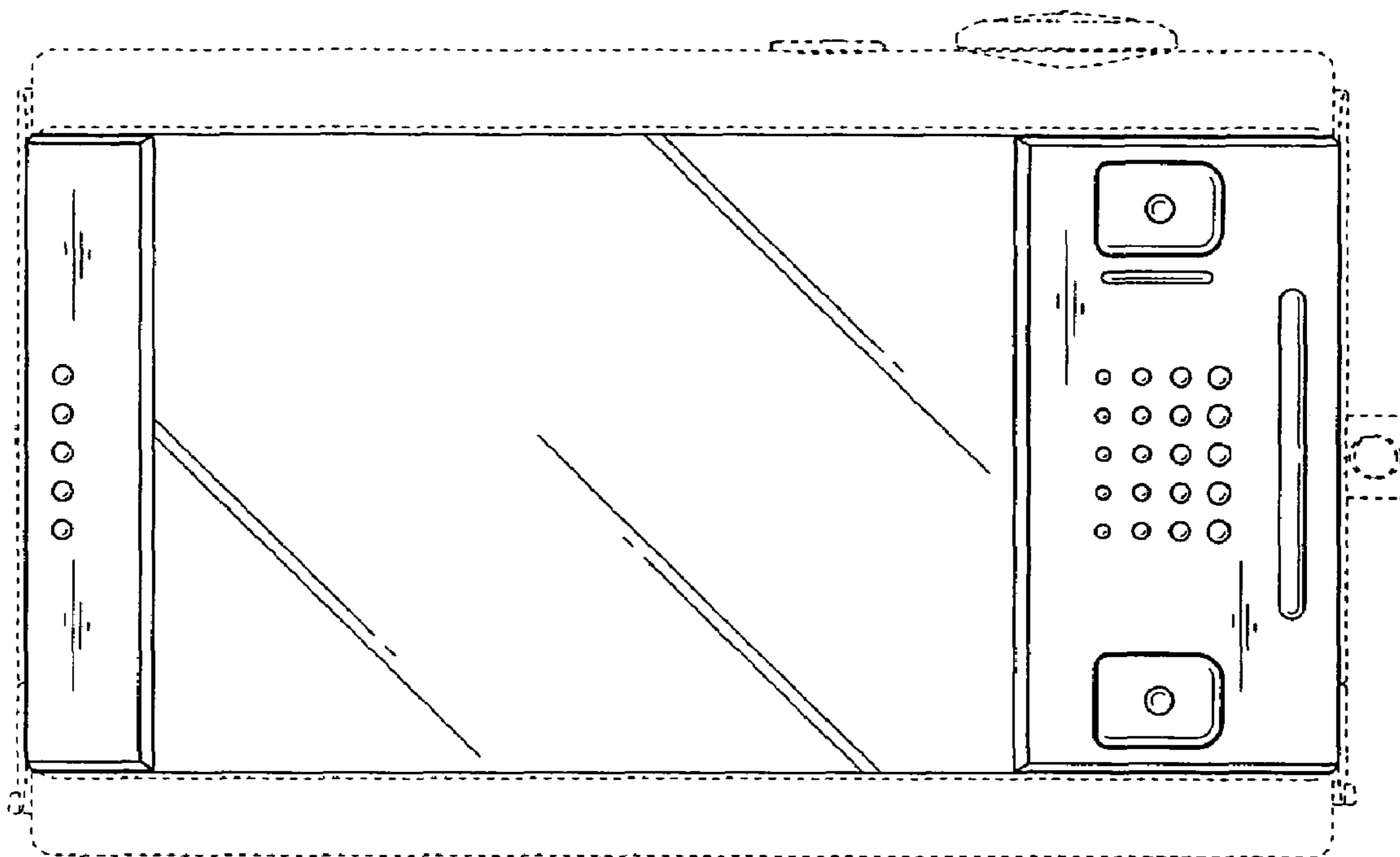
The portions shown in broken lines are for illustrative purposes only and form no part of the claimed design.

(56) **References Cited**

U.S. PATENT DOCUMENTS

D410,665 S *	6/1999	Shinano	D16/202
D443,289 S *	6/2001	Omino	D16/202
D496,380 S *	9/2004	Isomoto	D16/202
D503,417 S *	3/2005	Kawase	D16/202
D505,967 S *	6/2005	Ko et al.	D16/218
D532,030 S *	11/2006	Yoshida	D16/202
D538,322 S *	3/2007	Horikiri	D16/202

1 Claim, 4 Drawing Sheets



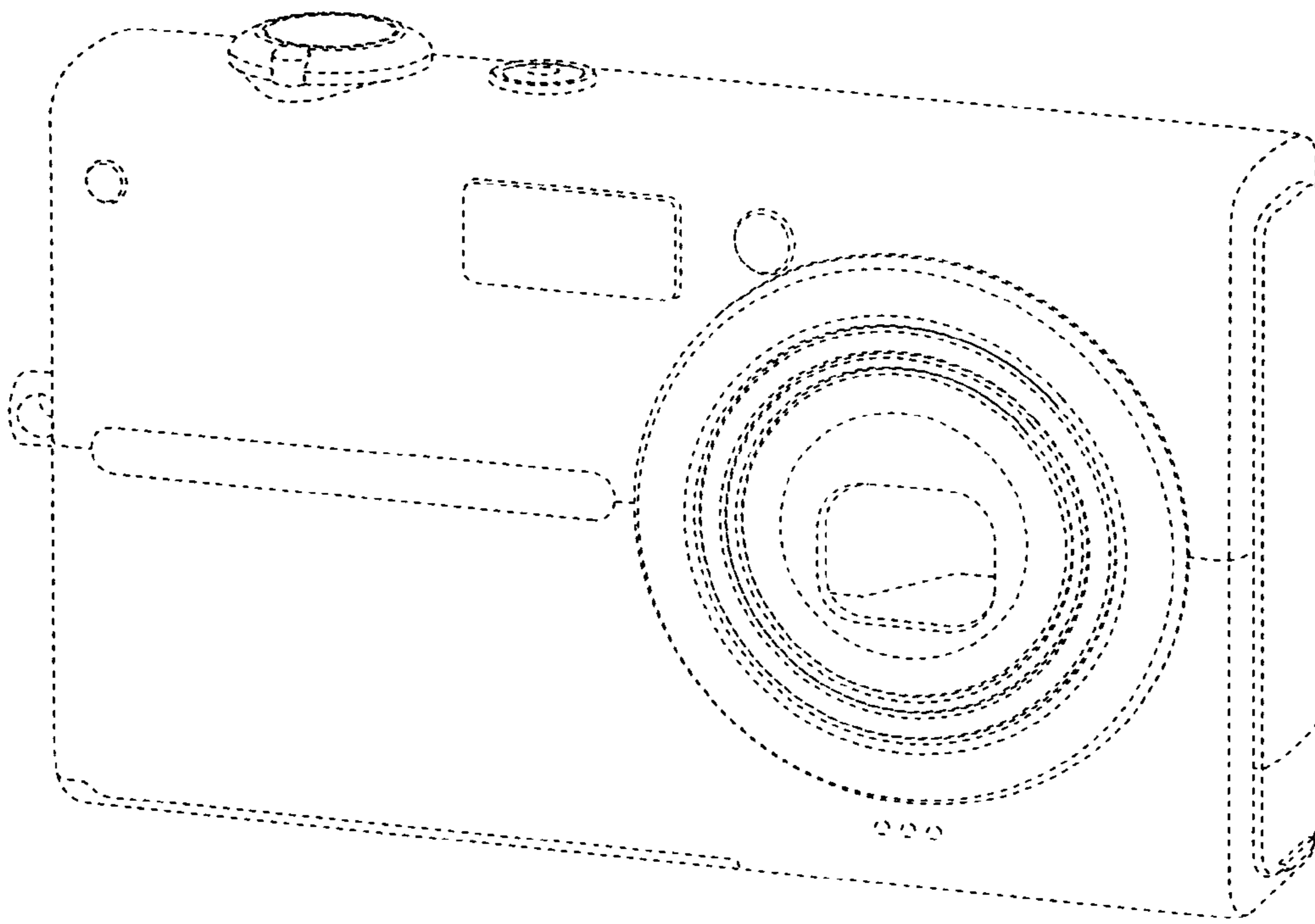


FIG. 1

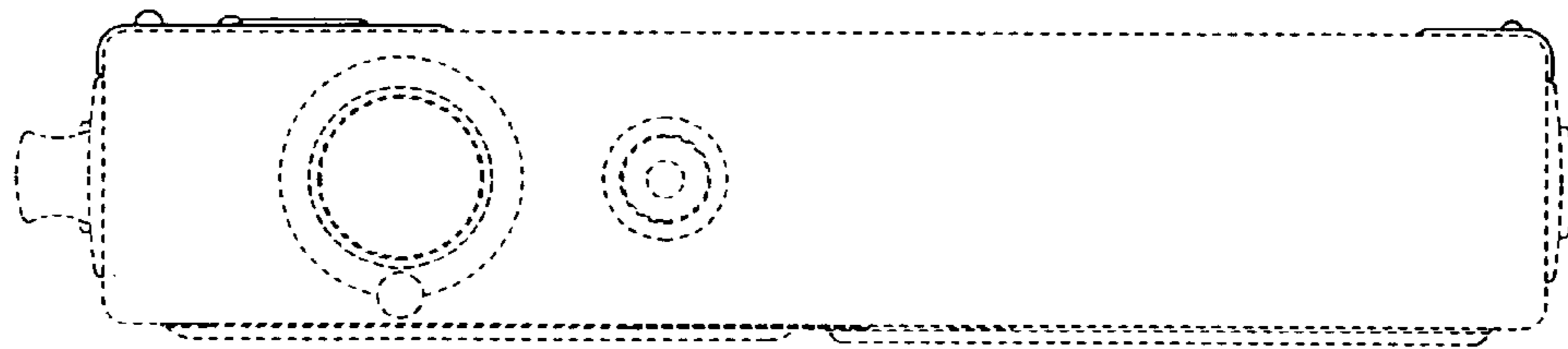


FIG. 2

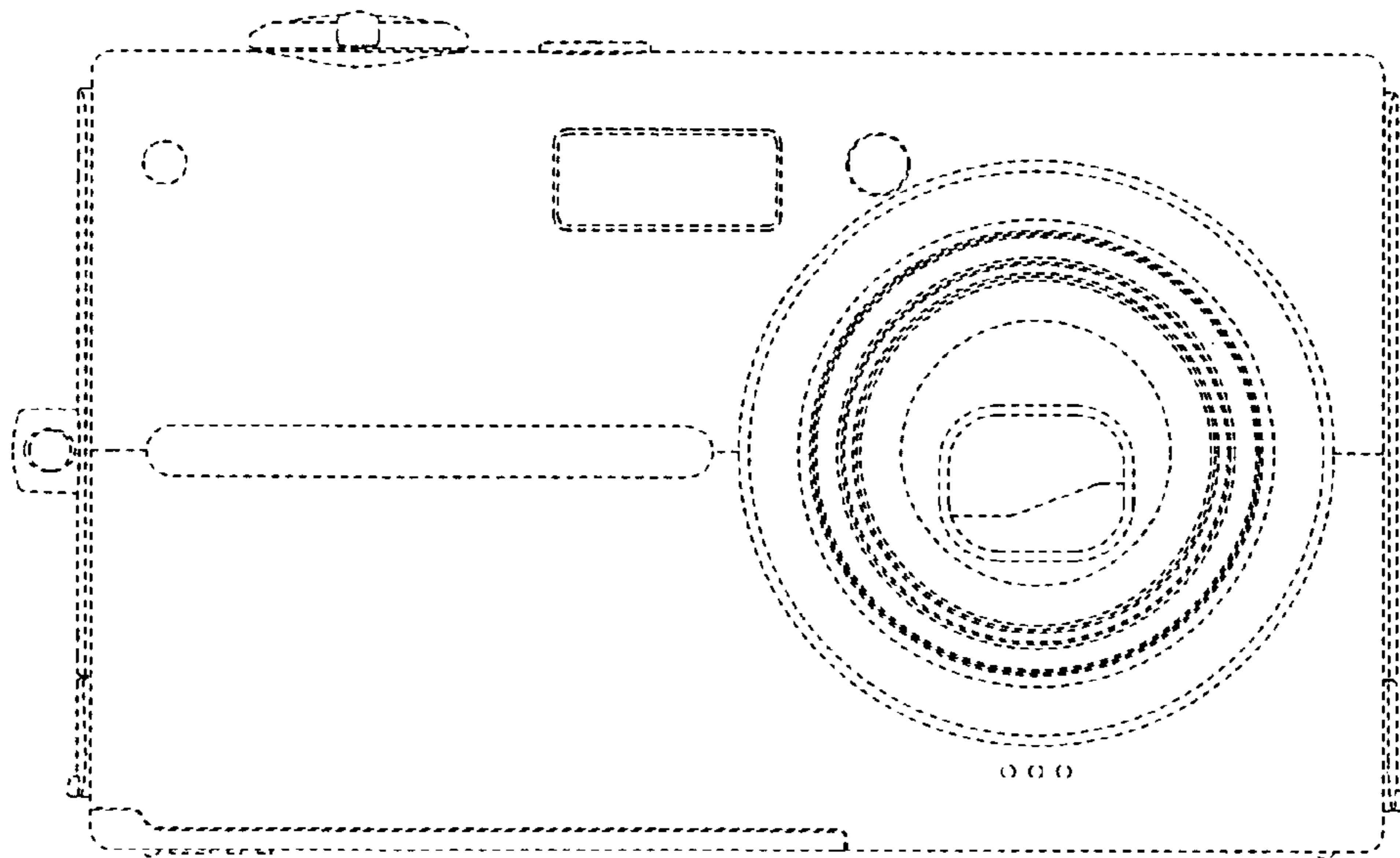


FIG. 3

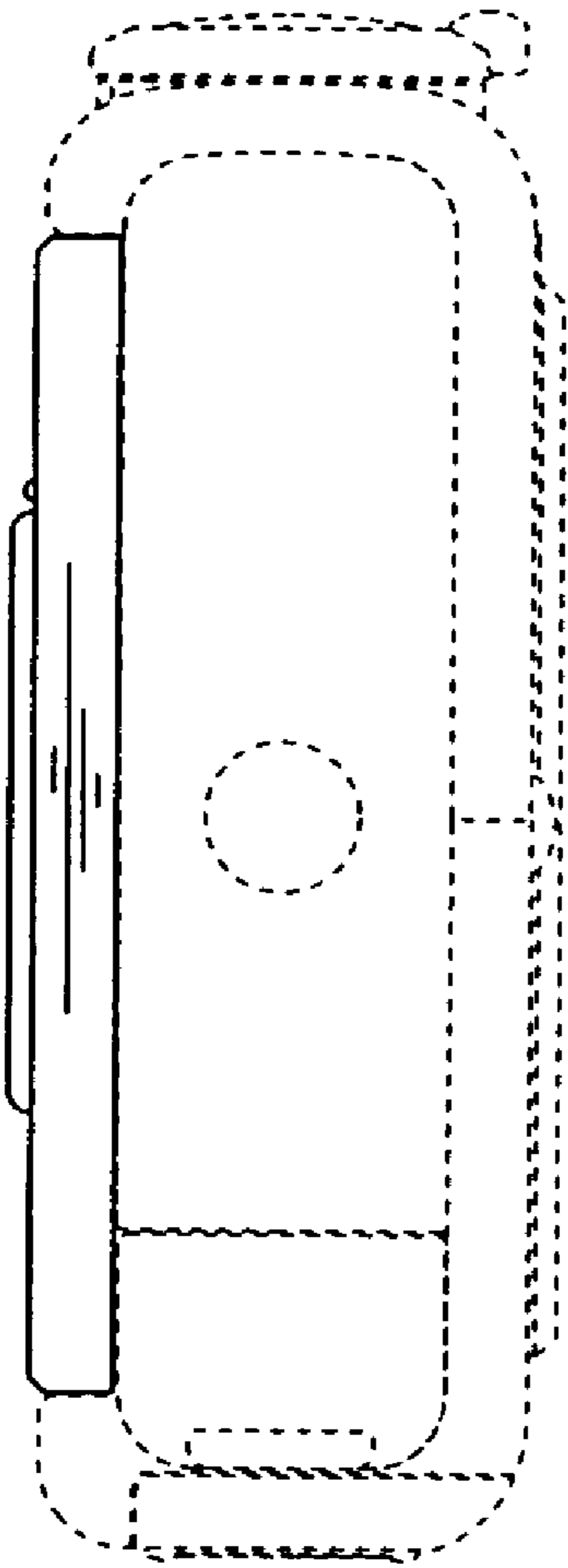


FIG. 4

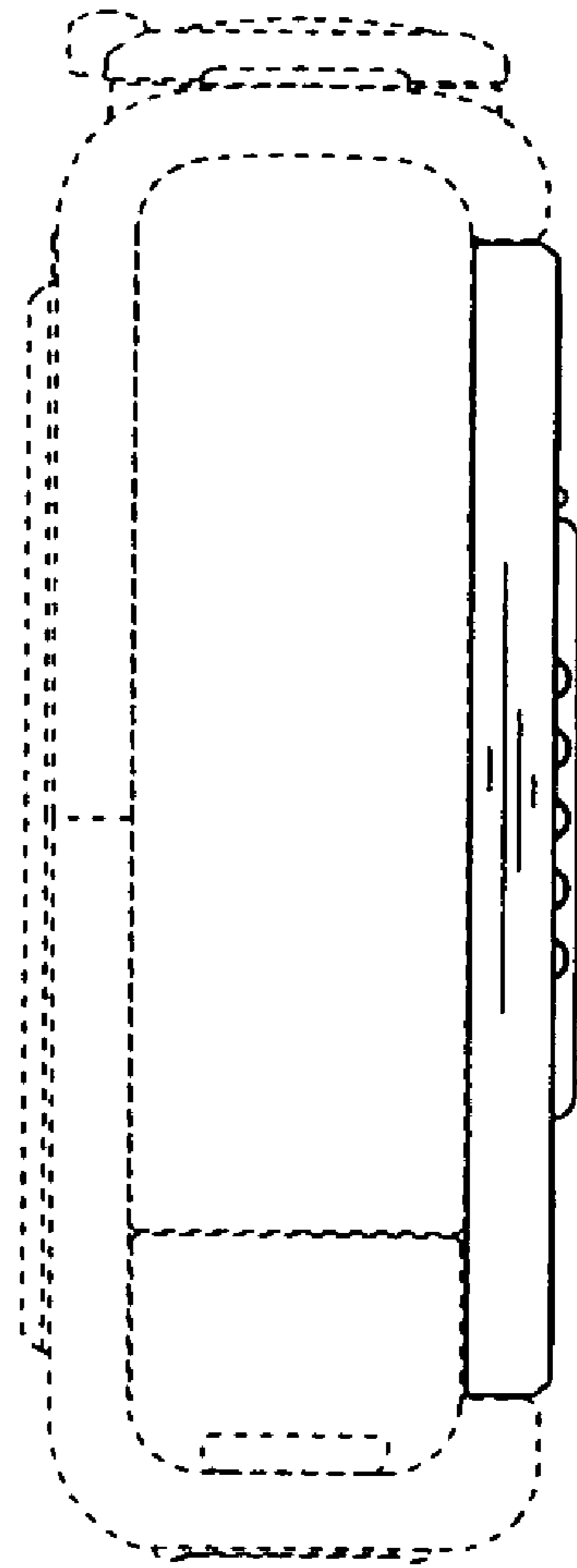


FIG. 5

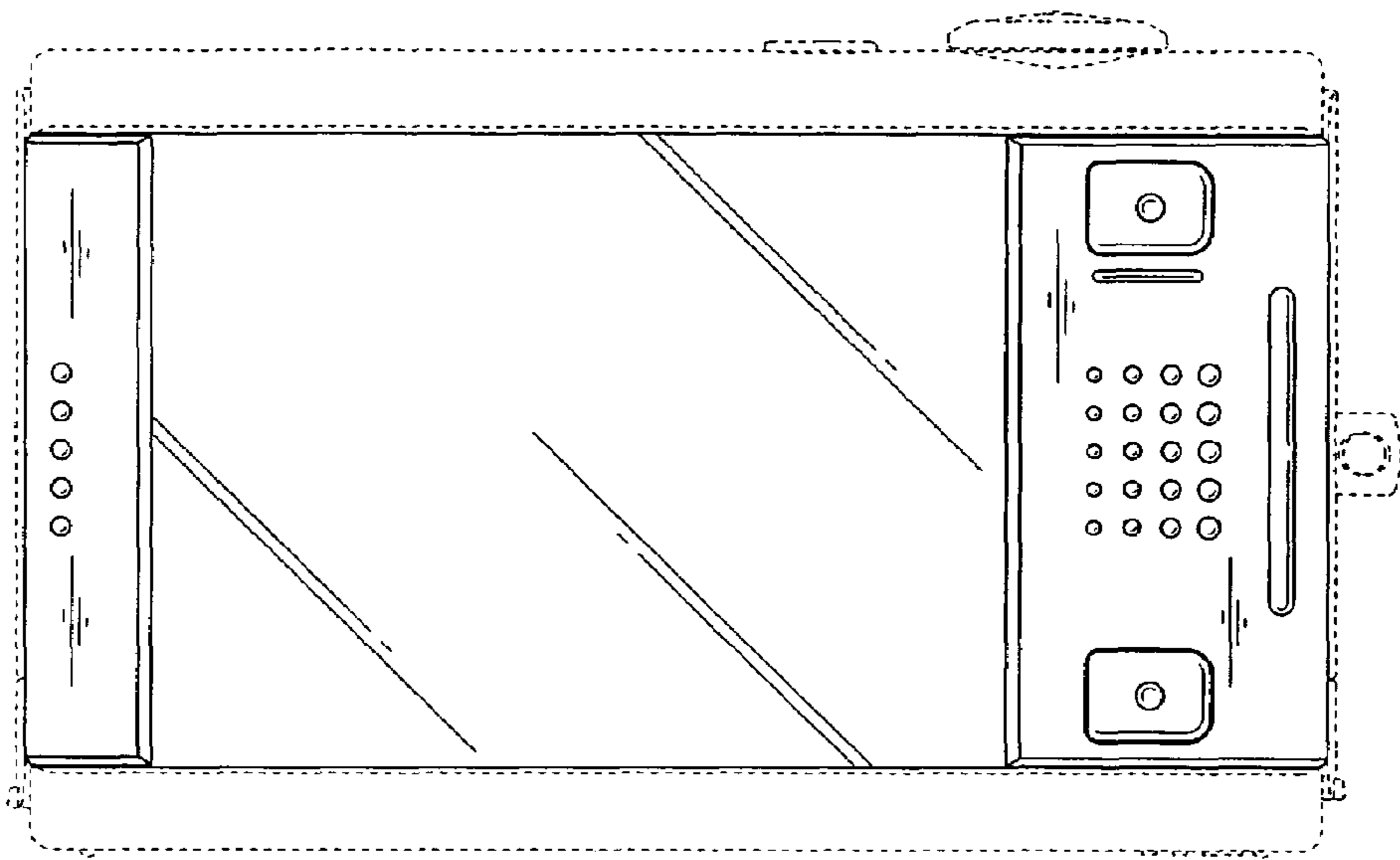


FIG. 6

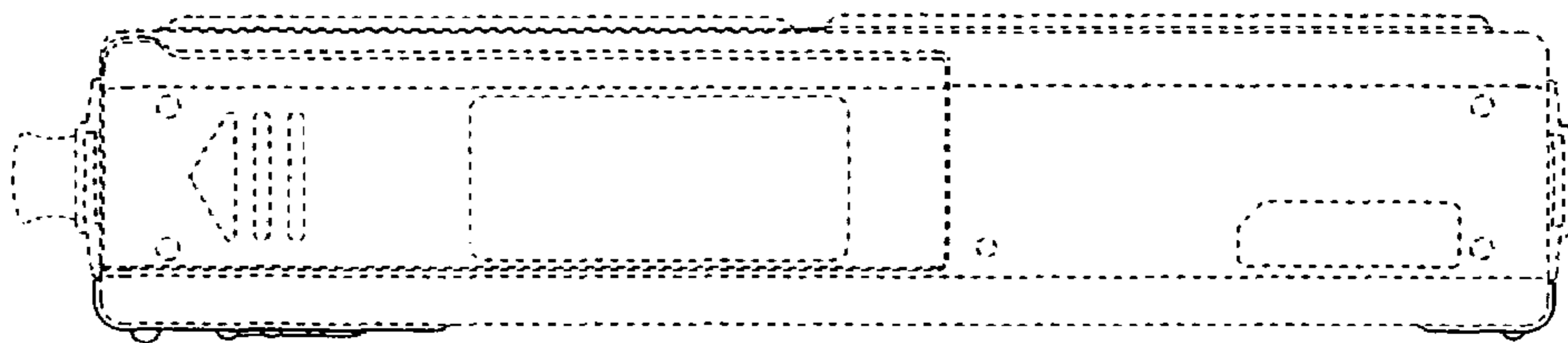


FIG. 7