



US00D557313S

(12) **United States Design Patent**
Hayamizu

(10) **Patent No.:** **US D557,313 S**
(45) **Date of Patent:** **** Dec. 11, 2007**

(54) **DIGITAL CAMERA**

D533,574 S * 12/2006 Hamamura D16/202
D533,576 S * 12/2006 Martres et al. D16/202
D543,227 S * 5/2007 Hayashi D16/219

(75) Inventor: **Eiji Hayamizu**, Tokyo (JP)

(73) Assignee: **PENTAX Corporation**, Tokyo (JP)

* cited by examiner

(**) Term: **14 Years**

Primary Examiner—Adir Aronovich

(21) Appl. No.: **29/262,028**

(74) *Attorney, Agent, or Firm*—Sughrue Mion, PLLC

(22) Filed: **Jun. 26, 2006**

(57) **CLAIM**

(30) **Foreign Application Priority Data**

The ornamental design for a digital camera, as shown and described.

Dec. 27, 2005 (JP) 2005-038166

DESCRIPTION

(51) **LOC (8) Cl.** **16-01**

FIG. 1 is a perspective view of the top, front and left side of a digital camera showing my new design;

(52) **U.S. Cl.** **D16/219**

FIG. 2 is a top plan view thereof;

(58) **Field of Classification Search** D16/200–204,
D16/208, 218, 219; 348/373–376; 358/906;
396/535–541

FIG. 3 is a front elevational view thereof;

See application file for complete search history.

FIG. 4 is a left side elevational view thereof;

(56) **References Cited**

FIG. 5 is a right side elevational view thereof;

U.S. PATENT DOCUMENTS

FIG. 6 is a rear elevational view thereof; and,

D406,600 S * 3/1999 Tanaka D16/218

FIG. 7 is a bottom plan view thereof.

D467,603 S * 12/2002 Senda D16/219

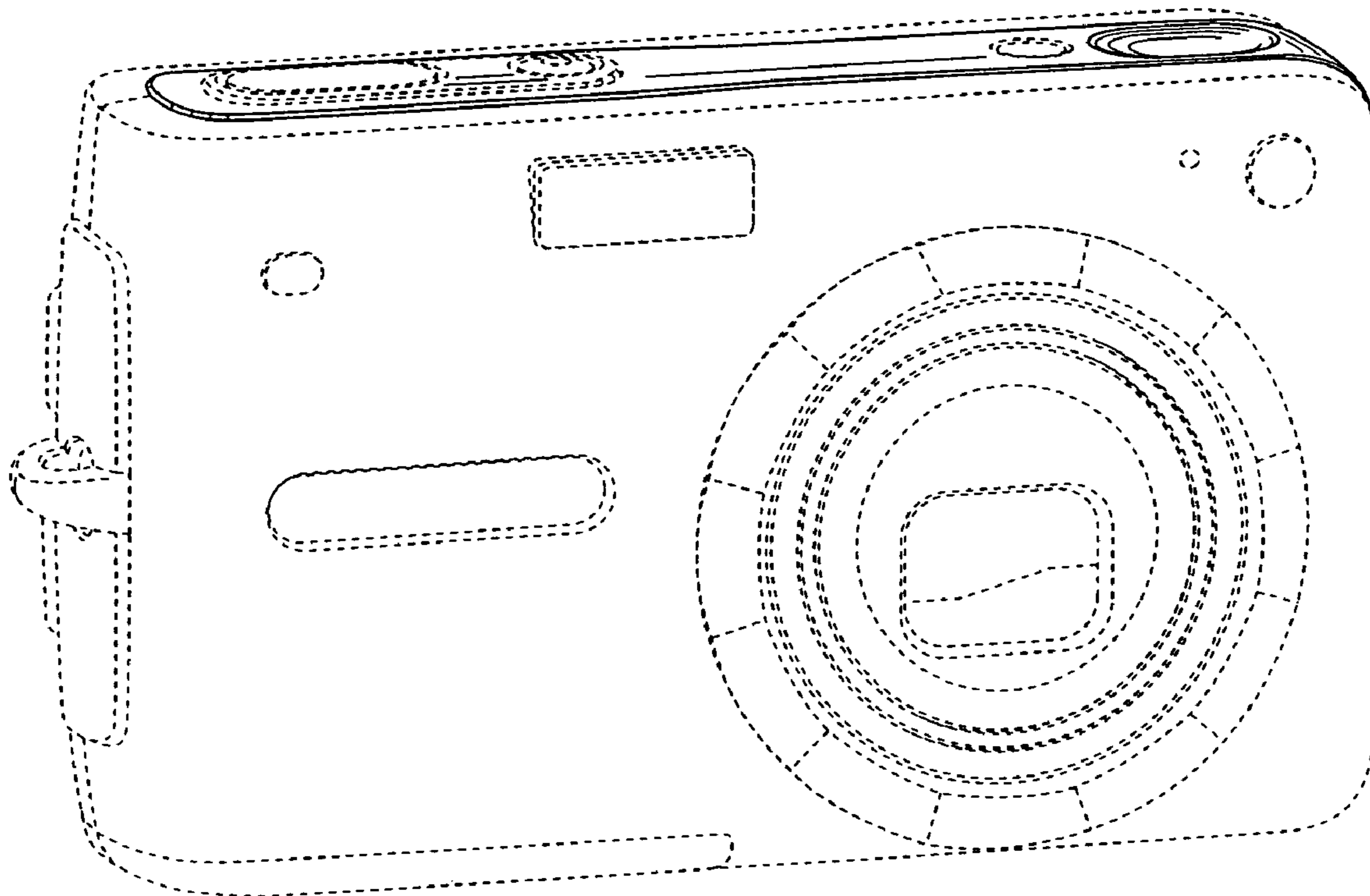
The portions shown in broken lines are for illustrative purposes only and form no part of the claimed design.

D496,380 S * 9/2004 Isomoto D16/202

1 Claim, 4 Drawing Sheets

D503,946 S 4/2005 Chao et al.

D521,038 S * 5/2006 Takagi D16/202



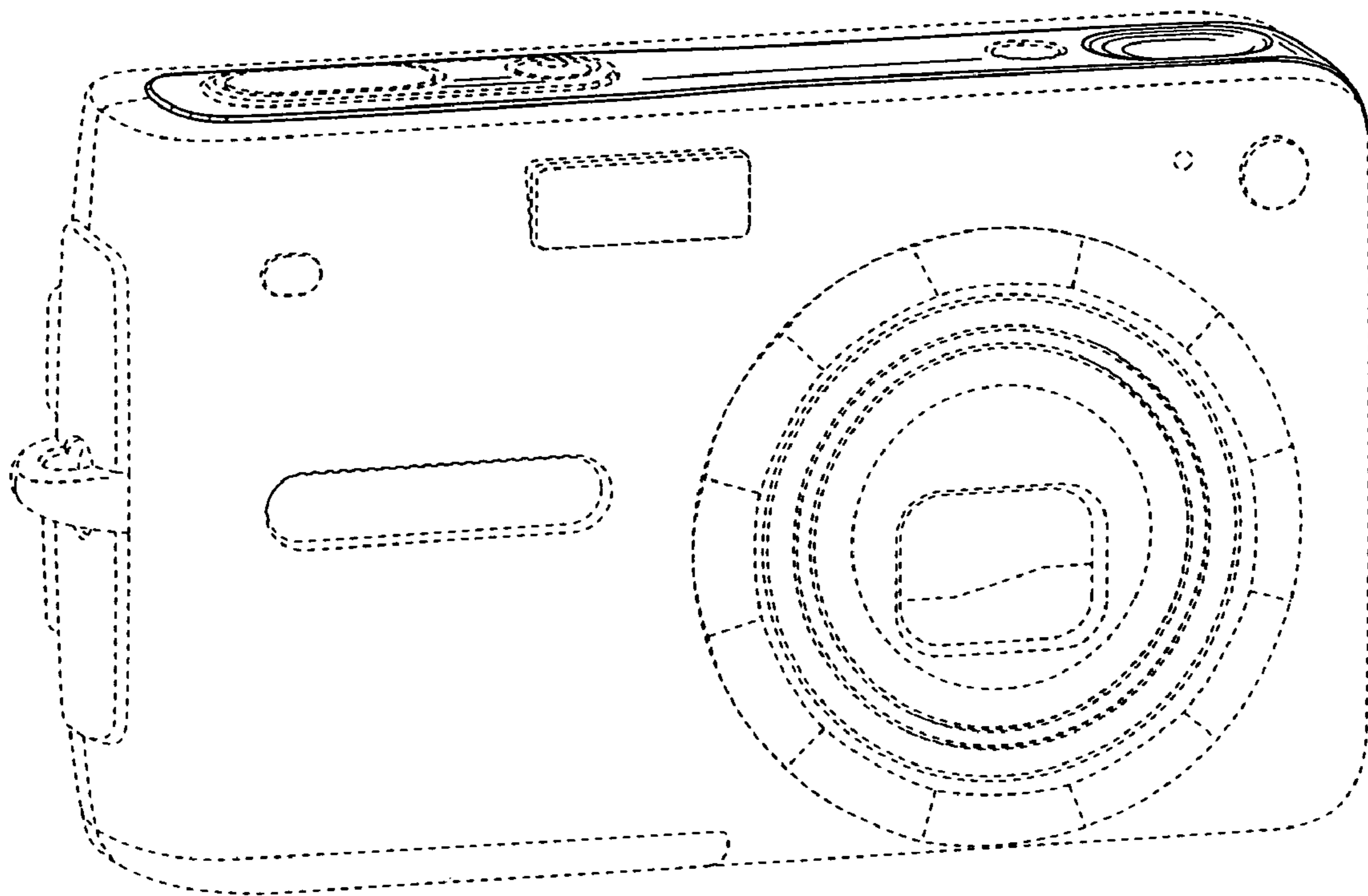


FIG. 1

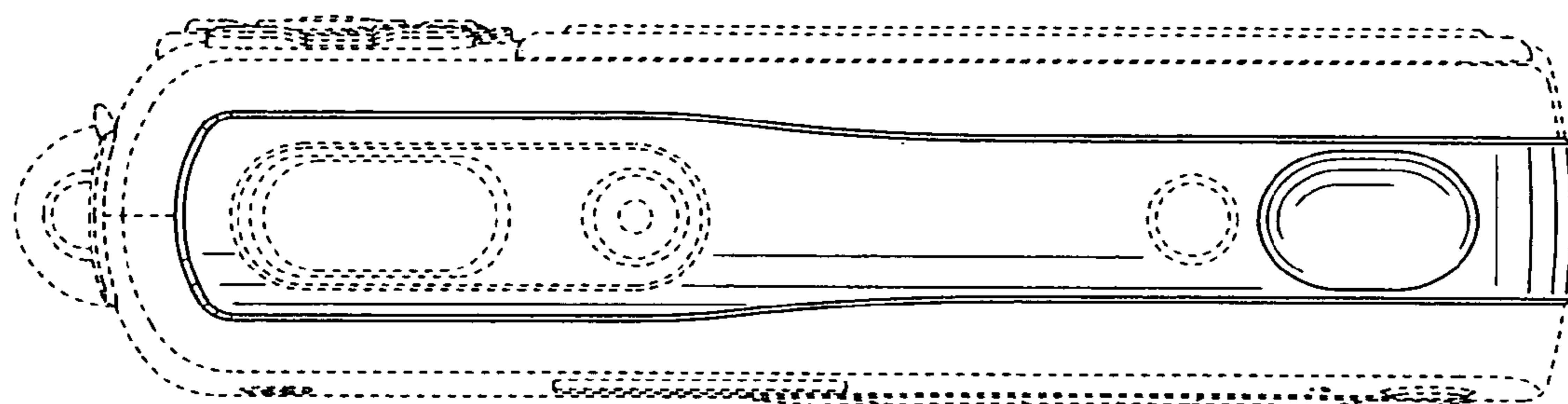


FIG. 2

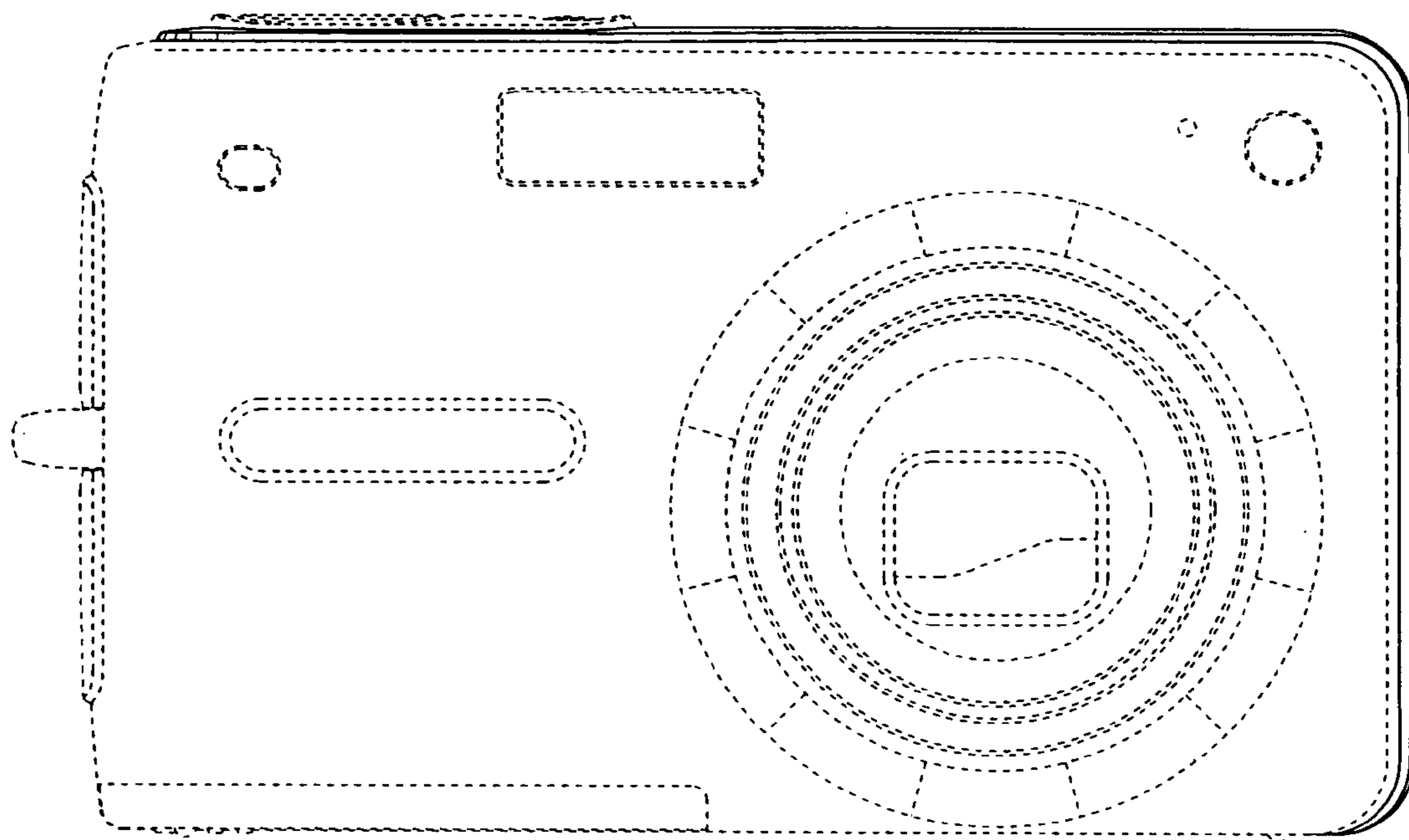


FIG. 3

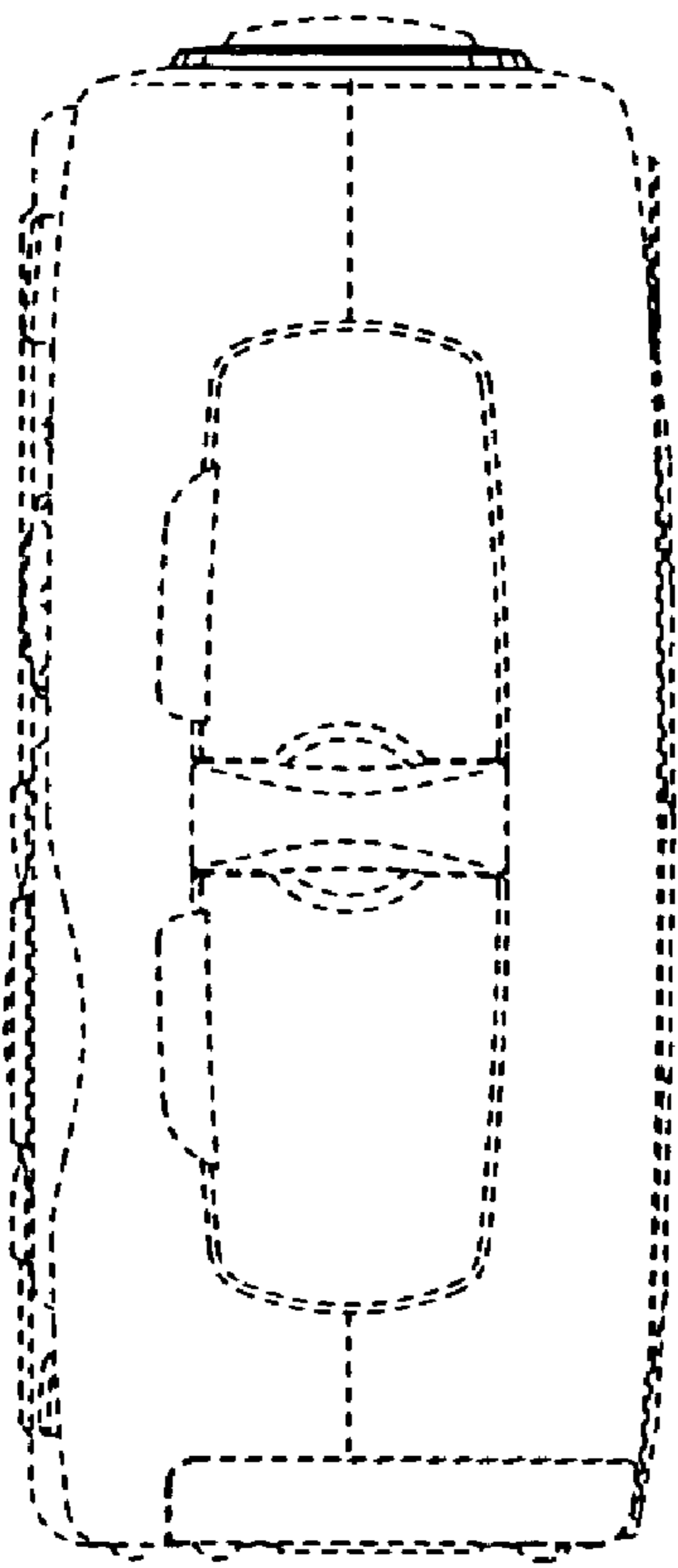


FIG. 4

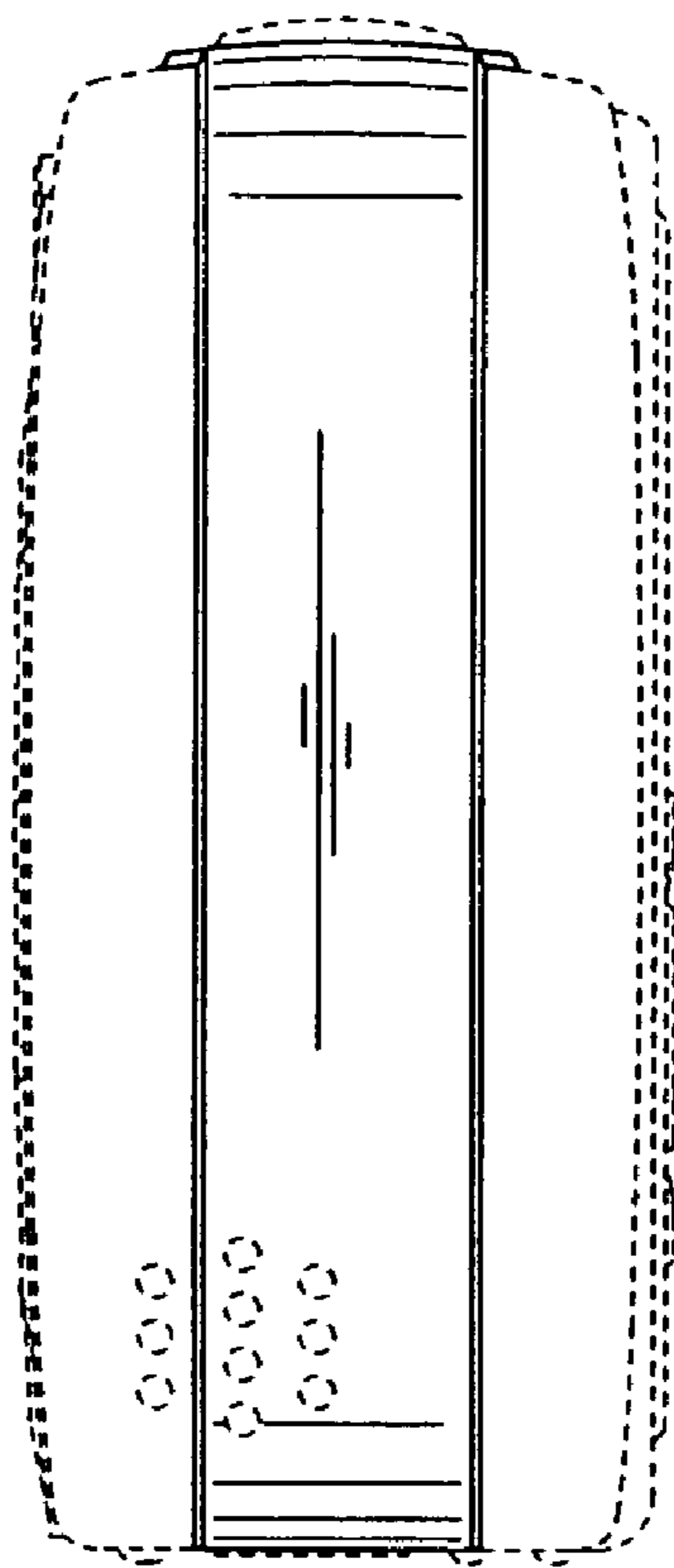


FIG. 5

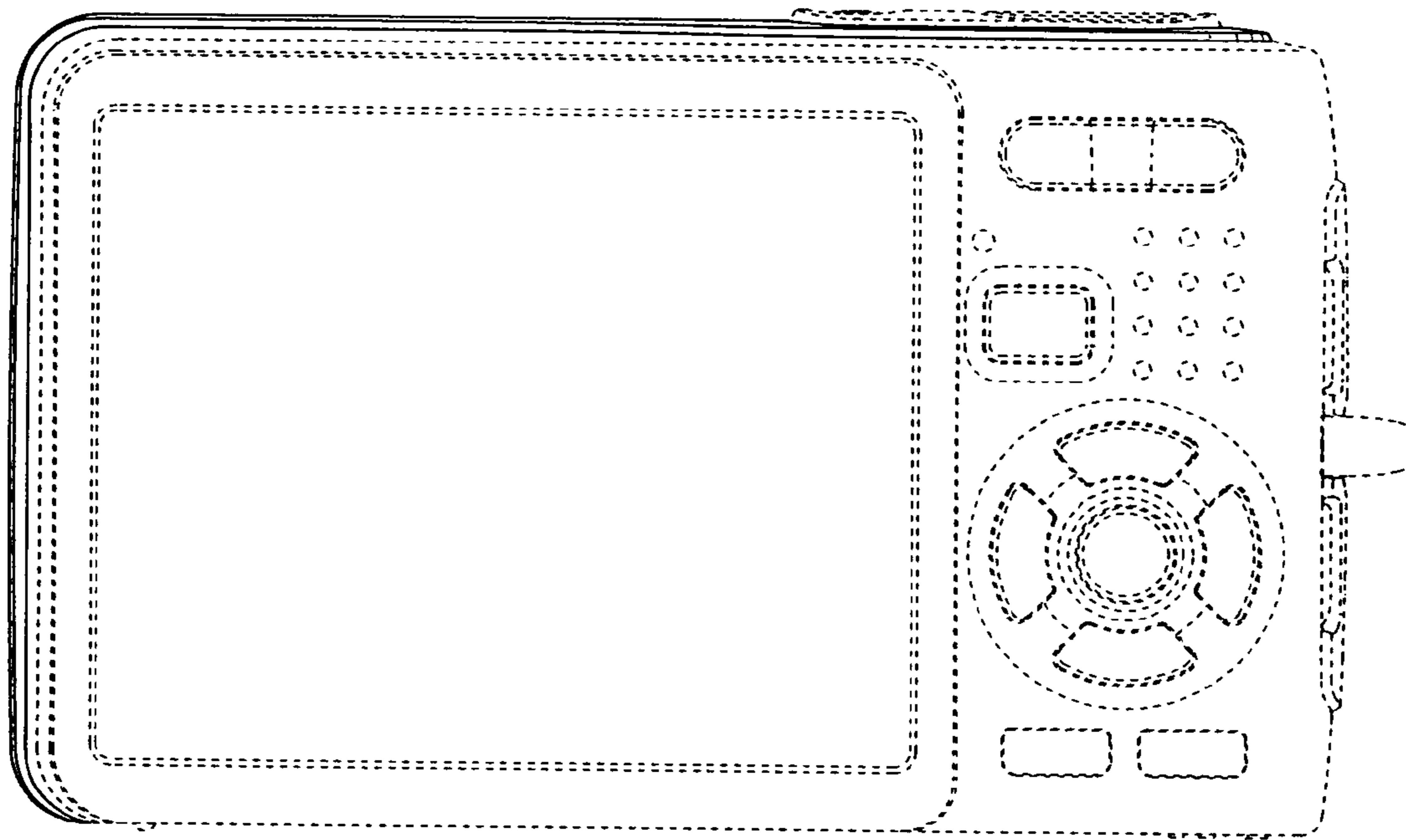


FIG. 6

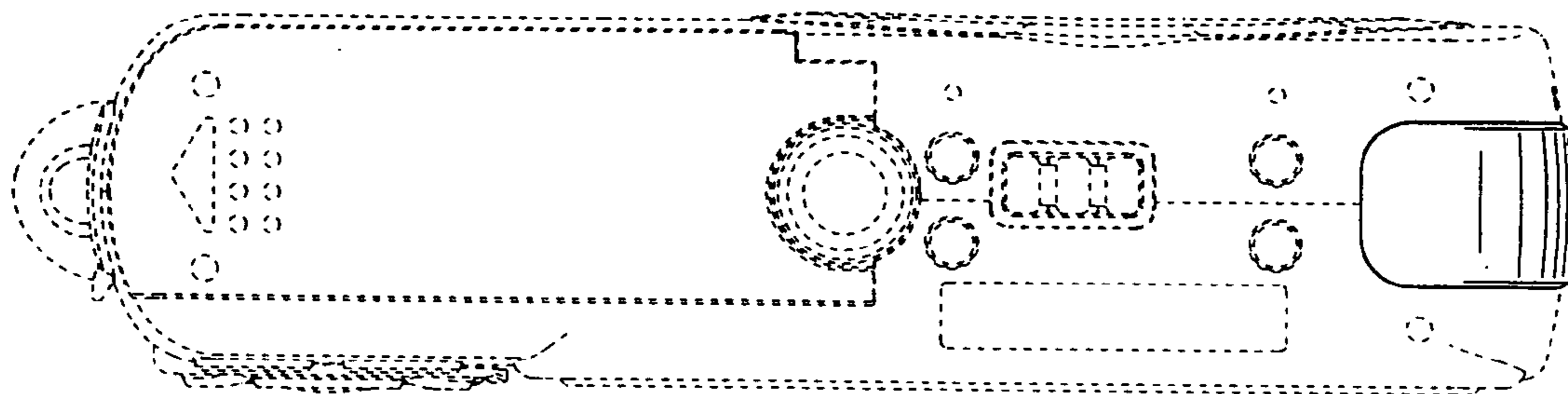


FIG. 7