



US00D557311S

(12) **United States Design Patent**
Hanafusa et al.

(10) **Patent No.:** **US D557,311 S**

(45) **Date of Patent:** **** Dec. 11, 2007**

(54) **DIGITAL CAMERA**

D524,348 S * 7/2006 Nagayama et al. D16/219

(75) Inventors: **Norihito Hanafusa**, Tokyo (JP);
Yosuke Nagayama, Tokyo (JP)

* cited by examiner

(73) Assignee: **Casio Keisanki Kabushiki Kaisha**,
Tokyo (JP)

Primary Examiner—Ian Simmons

Assistant Examiner—Wan Laymon

(**) Term: **14 Years**

(74) *Attorney, Agent, or Firm*—Frishauf, Holtz, Goodman &
Chick, P.C.

(21) Appl. No.: **29/255,442**

(57) **CLAIM**

(22) Filed: **Mar. 8, 2006**

The ornamental design for a digital camera, as shown and
described.

(51) **LOC (8) Cl.** **16-05**

(52) **U.S. Cl.** **D16/219; D16/202**

(58) **Field of Classification Search** D16/200–206,
D16/208–209, 218–219, 213; D21/514;
348/373–376, 333.02; 358/906, 909.1; 396/531–541
See application file for complete search history.

DESCRIPTION

FIG. 1 is a front, right side, top perspective view of a digital
camera showing our new design;

FIG. 2 is a front elevational view thereof;

FIG. 3 is a rear elevational view thereof;

FIG. 4 is a left side view thereof;

FIG. 5 is a right side view thereof;

FIG. 6 is a top plan view thereof; and,

FIG. 7 is a bottom plan view thereof.

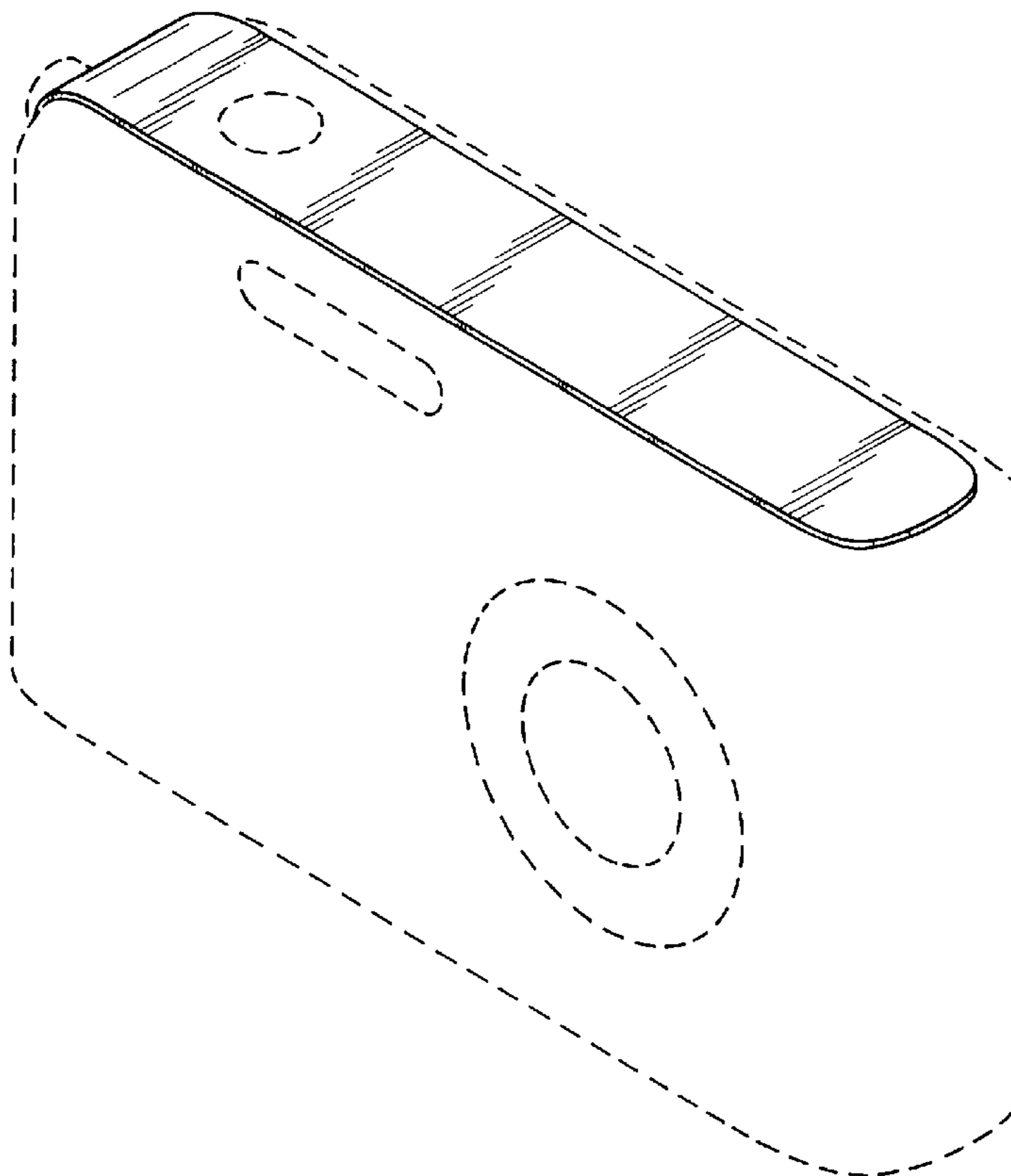
The broken line showings are for illustrative purposes only
and form no part of the claimed design.

(56) **References Cited**

U.S. PATENT DOCUMENTS

D413,613 S *	9/1999	Katayama	D16/202
D430,186 S *	8/2000	Suzuki et al.	D16/218
D463,810 S *	10/2002	Suzuki et al.	D16/202
D495,351 S *	8/2004	Yi	D16/202
D503,418 S *	3/2005	Chao et al.	D16/202
D508,711 S *	8/2005	Suzuki	D16/218
D524,341 S *	7/2006	Nagayama et al.	D16/202

1 Claim, 5 Drawing Sheets



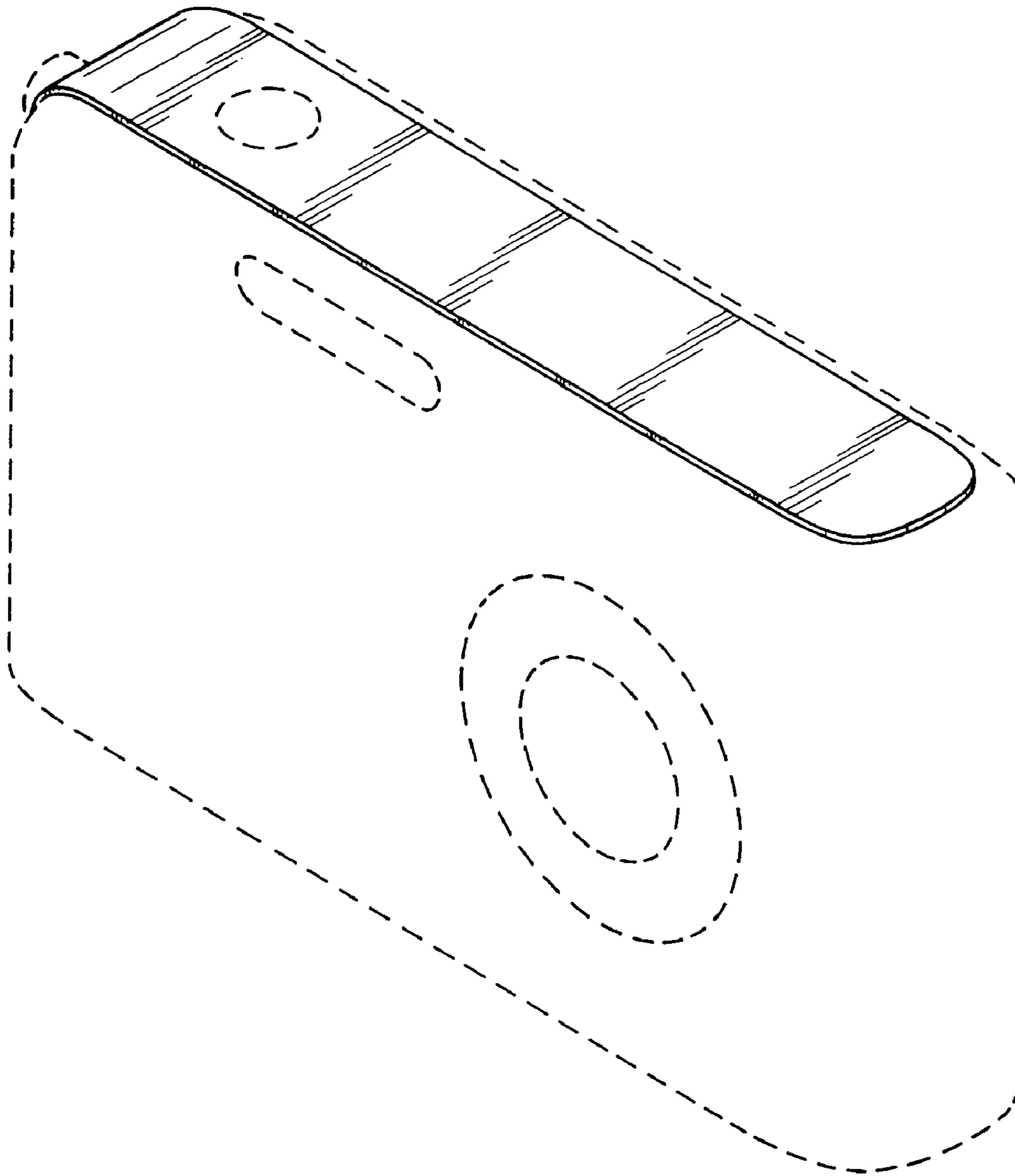


FIG. 1

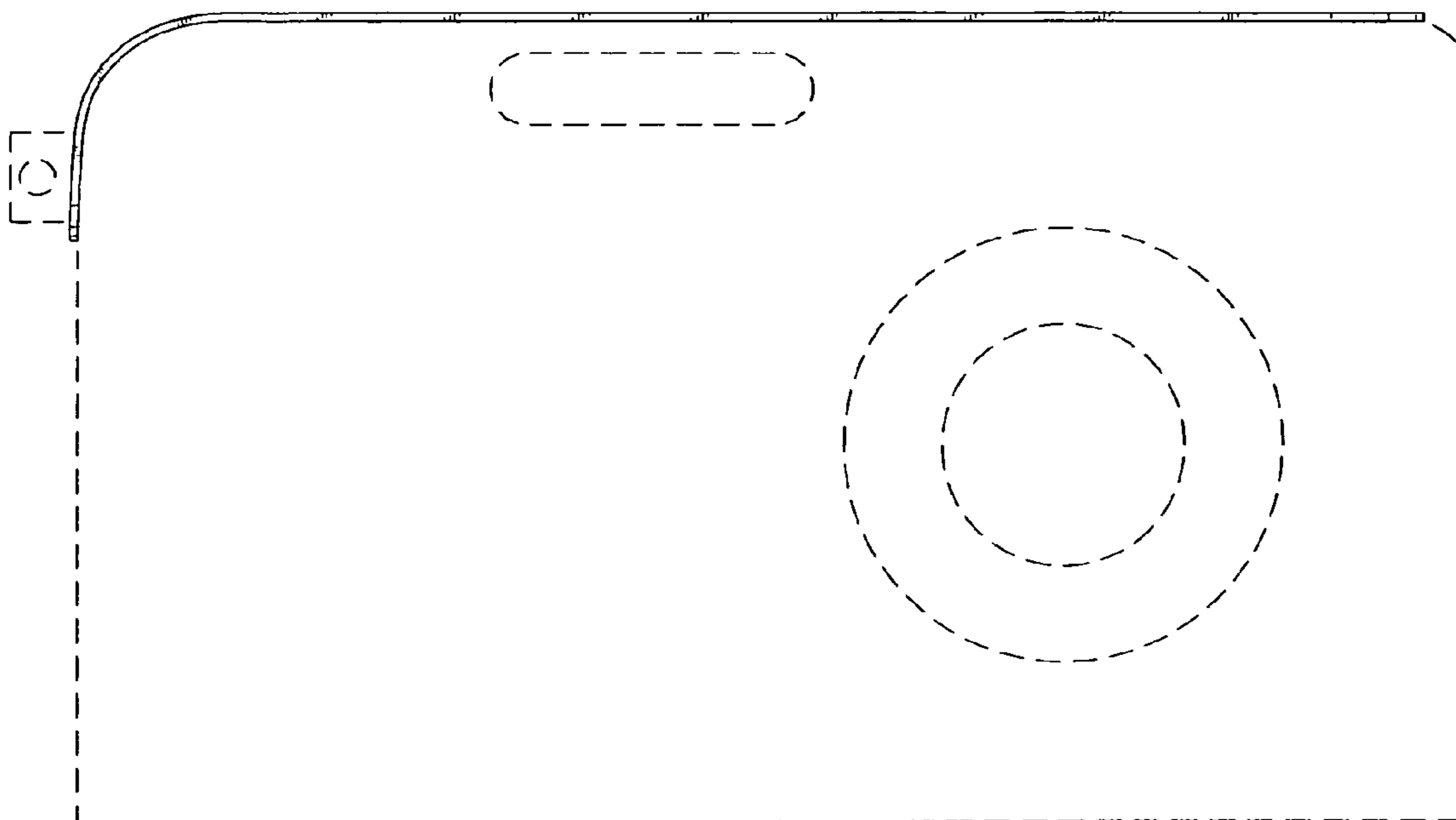


FIG. 2

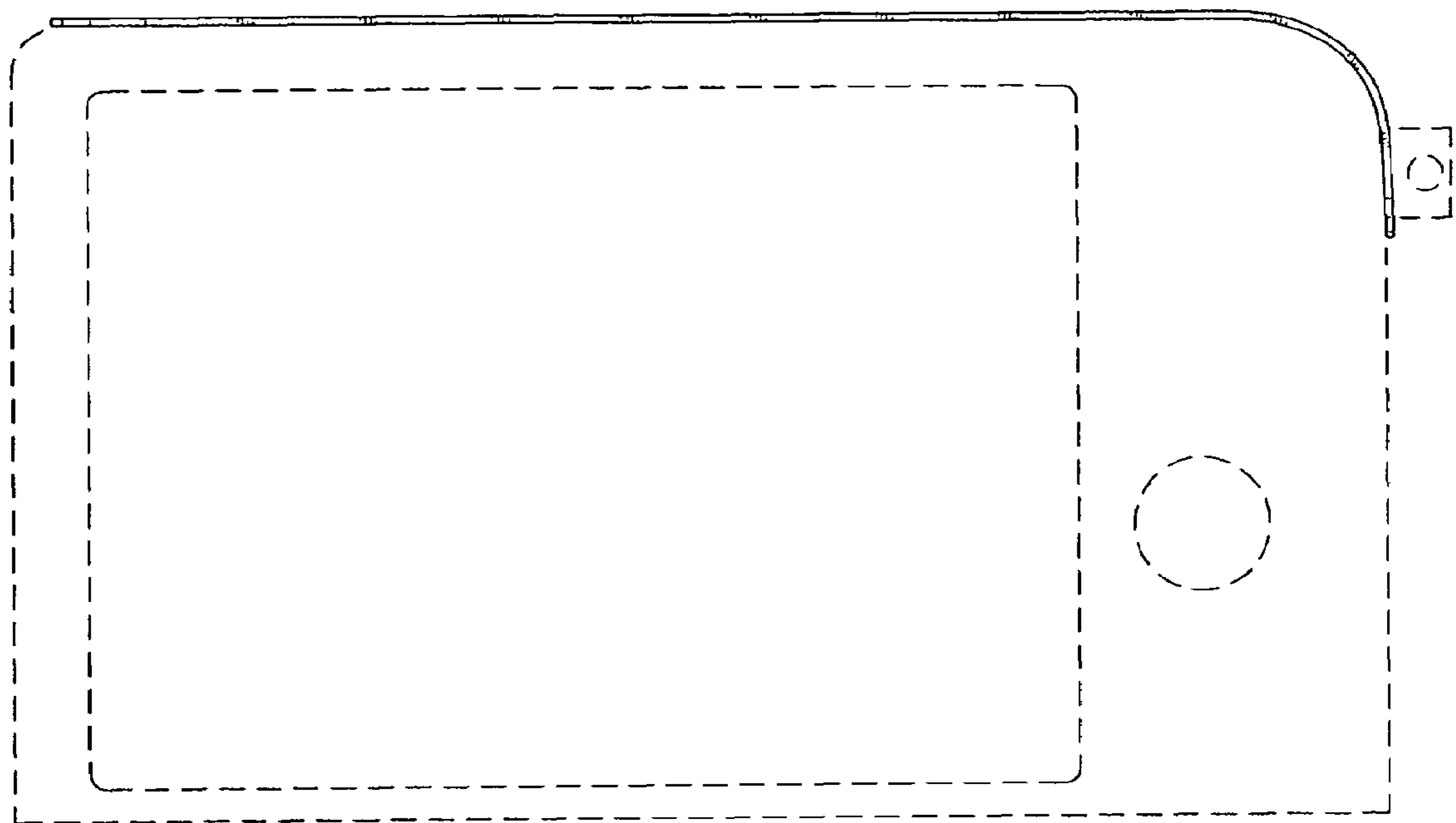


FIG. 3

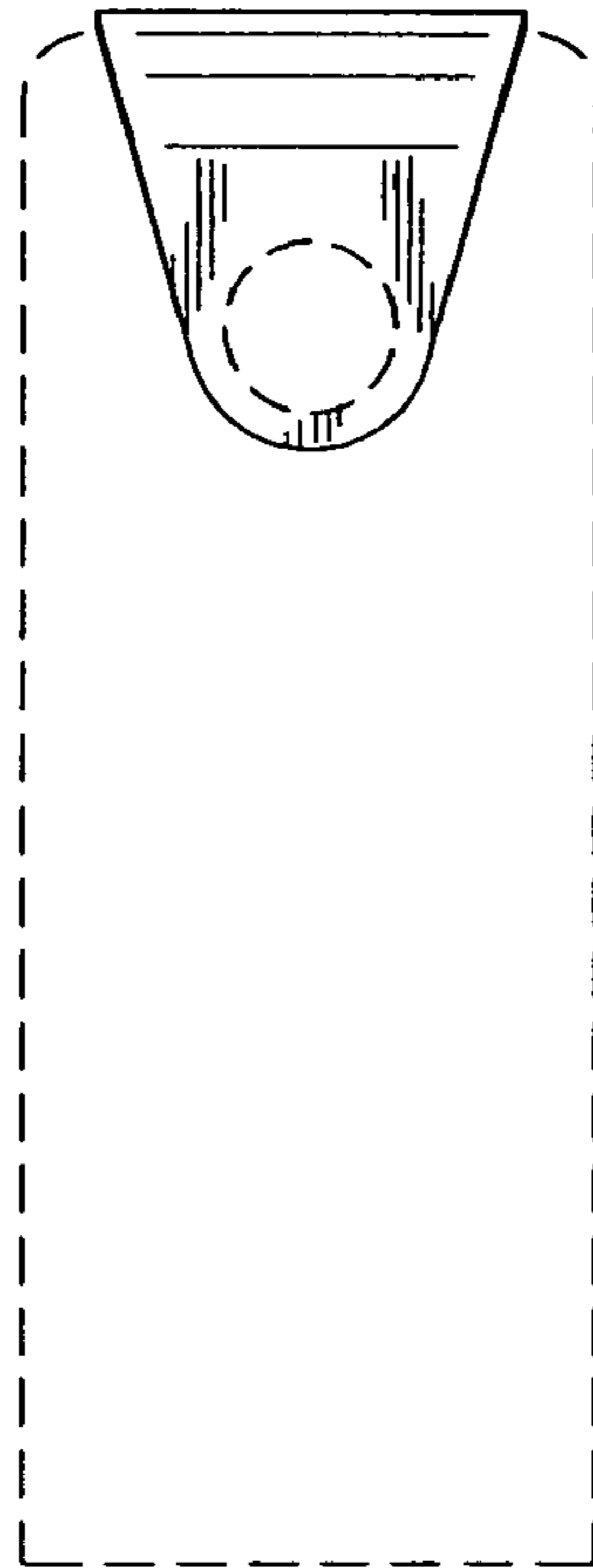


FIG. 4

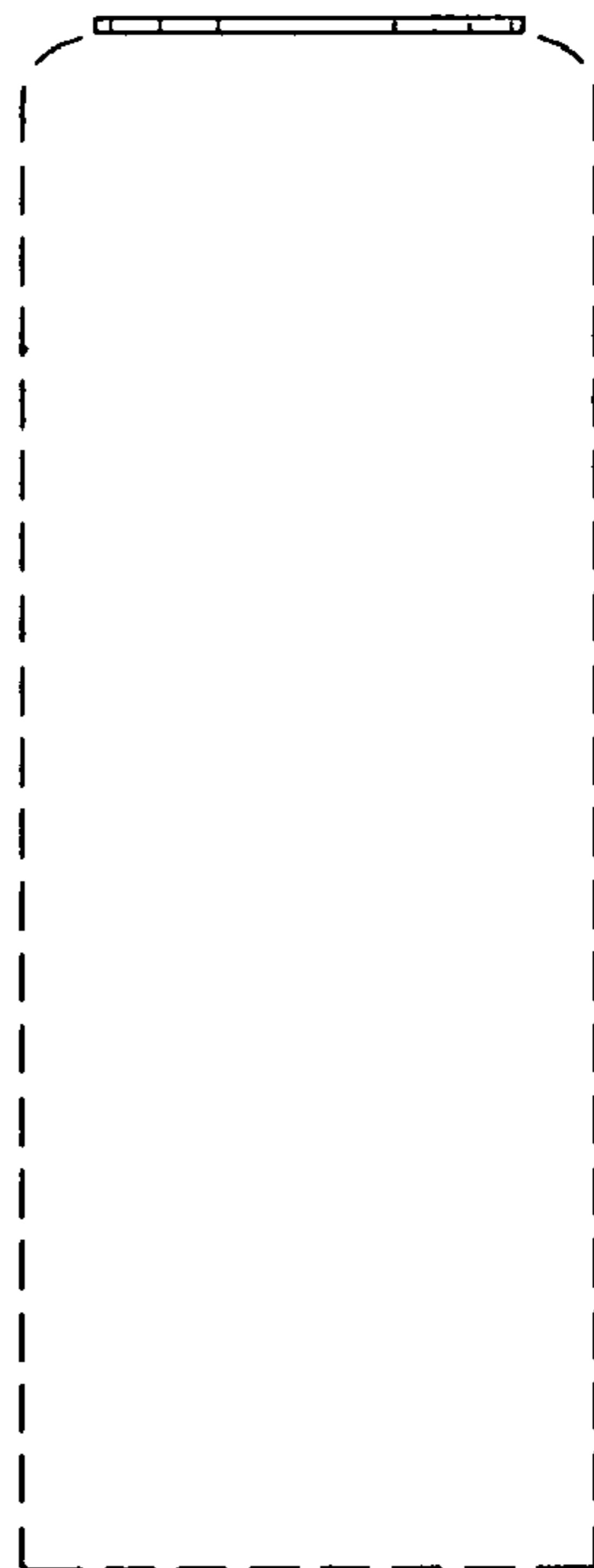


FIG. 5

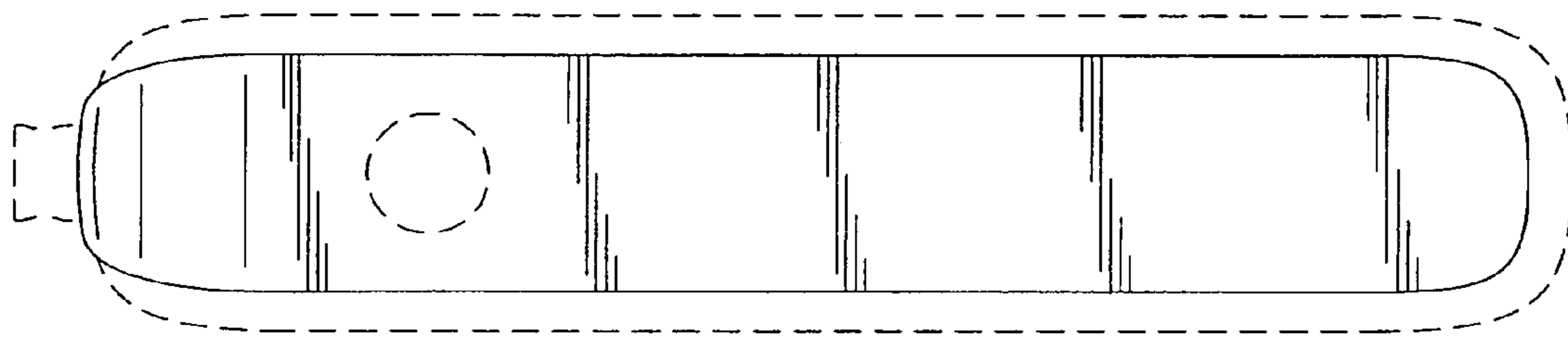


FIG. 6



FIG. 7