



US00D557310S

(12) **United States Design Patent**  
**Fisher et al.**

(10) **Patent No.:** **US D557,310 S**  
(45) **Date of Patent:** **\*\* Dec. 11, 2007**

(54) **PORTION OF AN ELECTRONIC CAMERA**  
(75) Inventors: **Steven W. Fisher**, Kirkland, WA (US);  
**Oliver F. Grabes**, Haan (DE);  
**Ferdinand Johannes van Engelen**,  
Bothell, WA (US); **Robert B. Hubler**,  
Woodinville, WA (US); **Adam M.**  
**O'Hern**, Cockeysville, MD (US); **Tim**  
**Hulford**, Seattle, WA (US)

(73) Assignee: **Microsoft Corporation**, Redmond, WA  
(US)

(\*\*) Term: **14 Years**

(21) Appl. No.: **29/248,545**

(22) Filed: **Aug. 21, 2006**

(51) **LOC (8) Cl.** ..... **16-05**

(52) **U.S. Cl.** ..... **D16/219; D16/242**

(58) **Field of Classification Search** ..... D16/200–205,  
D16/208, 218, 219; 248/918; 348/373–376;  
358/906, 909.1; 396/535–541

See application file for complete search history.

(56) **References Cited**

U.S. PATENT DOCUMENTS

D399,860 S \* 10/1998 Huang ..... D16/202  
5,855,343 A \* 1/1999 Krekelberg ..... 248/918  
D451,939 S \* 12/2001 Roh ..... D16/202  
D455,768 S \* 4/2002 Tsang et al. .... D16/202

D523,050 S \* 6/2006 Bahroocha et al. .... D16/202  
D523,887 S \* 6/2006 Sitoh et al. .... D16/202  
D533,575 S \* 12/2006 Reawsanguanwong  
et al. .... D16/202  
D537,095 S \* 2/2007 Alden et al. .... D16/219  
2006/0170817 A1\* 8/2006 Wu ..... 348/373

\* cited by examiner

*Primary Examiner*—Adir Aronovich  
(74) *Attorney, Agent, or Firm*—Banner & Witcoff, Ltd.

(57) **CLAIM**

The ornamental design for a portion of an electronic camera,  
as shown and described.

**DESCRIPTION**

FIG. 1 is a front perspective view of a portion of an  
electronic camera showing our new design;

FIG. 2 is a front view thereof;

FIG. 3 is a rear view thereof;

FIG. 4 is a left side view thereof;

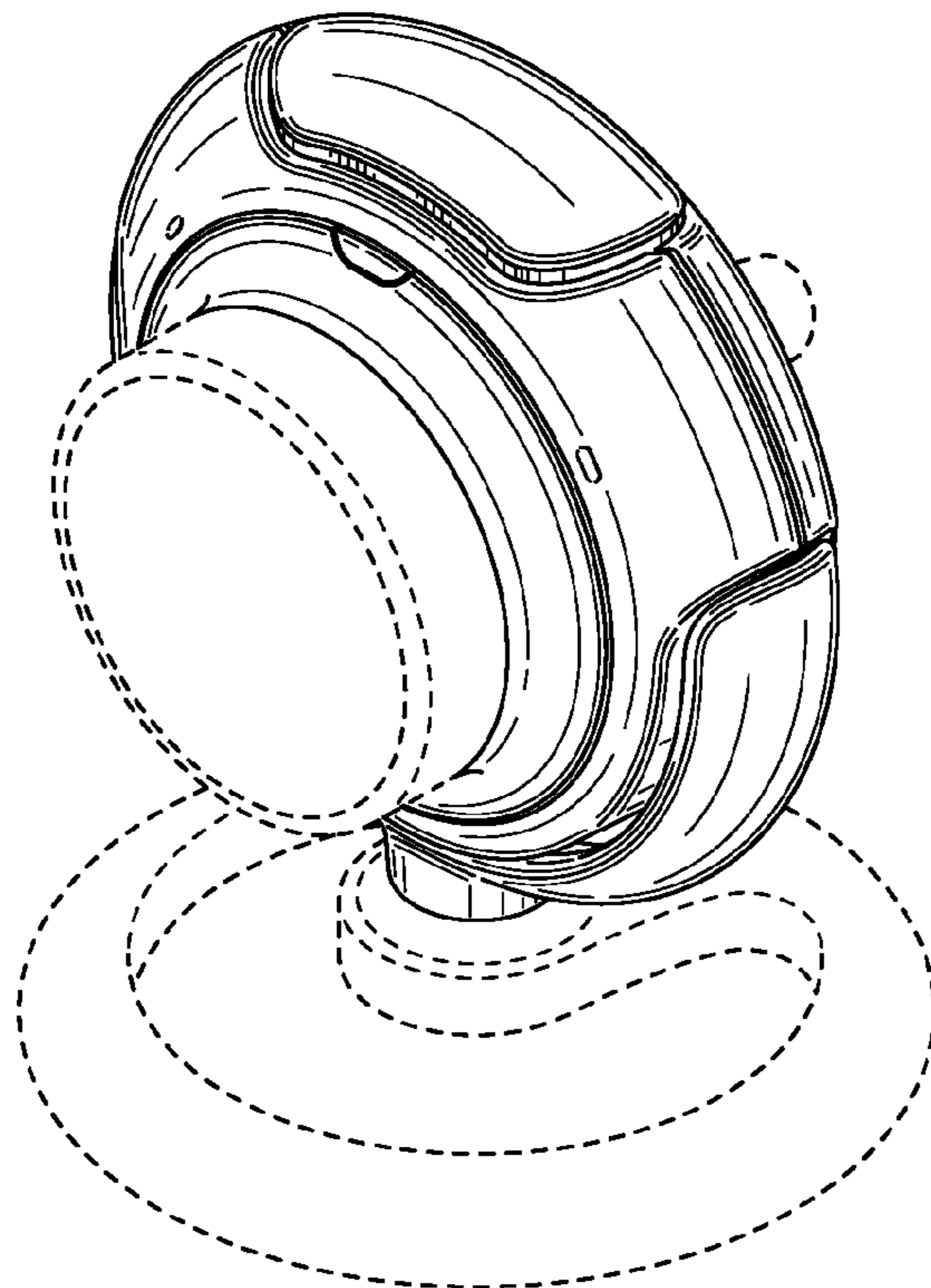
FIG. 5 is a right side view thereof;

FIG. 6 is a top view thereof; and,

FIG. 7 is a bottom view thereof.

The broken line showing of various regions in the figures,  
including the unshaded areas therein, is for illustrative  
purposes and forms no part of the claimed design.

**1 Claim, 4 Drawing Sheets**



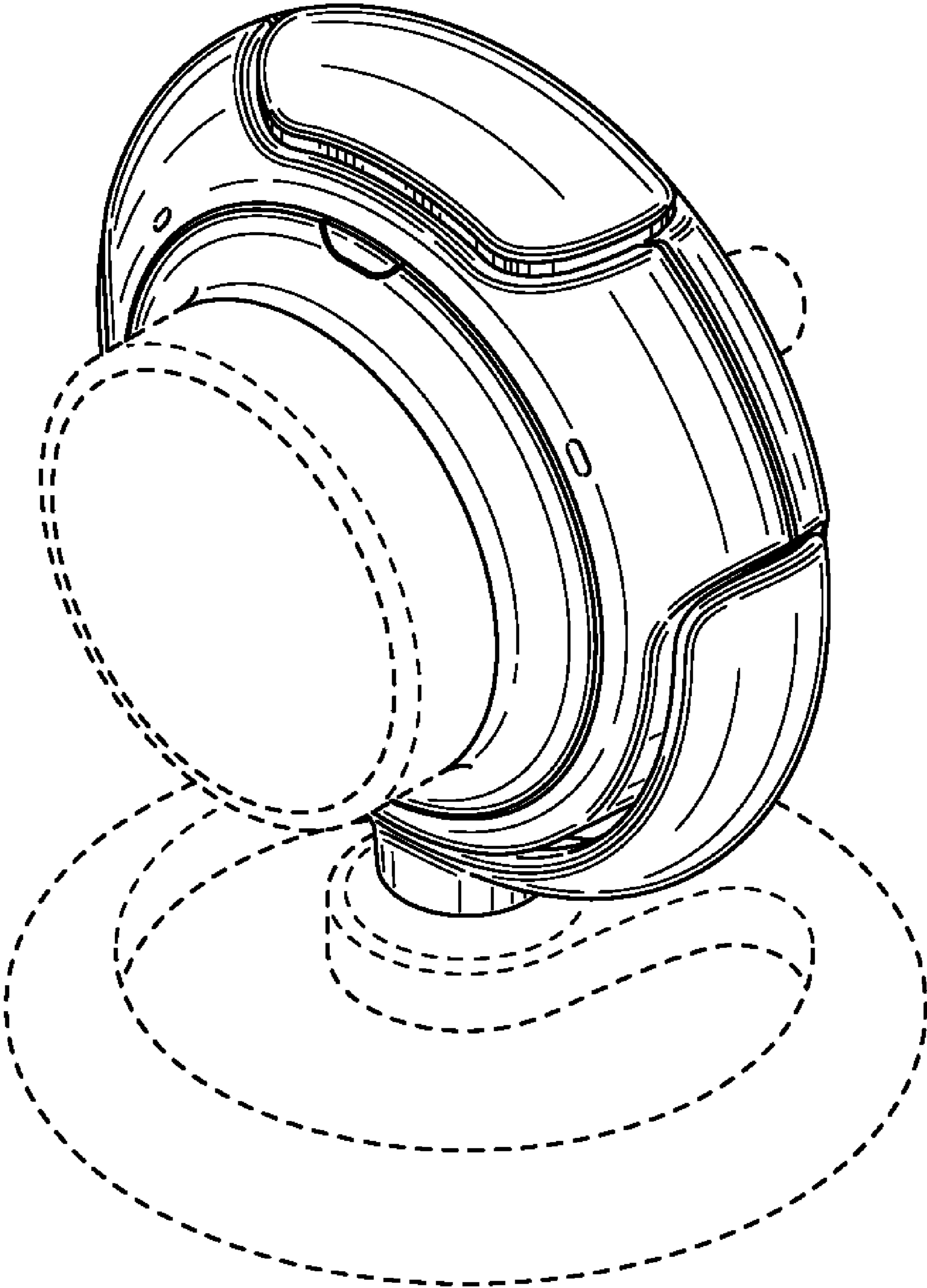


FIG. 1

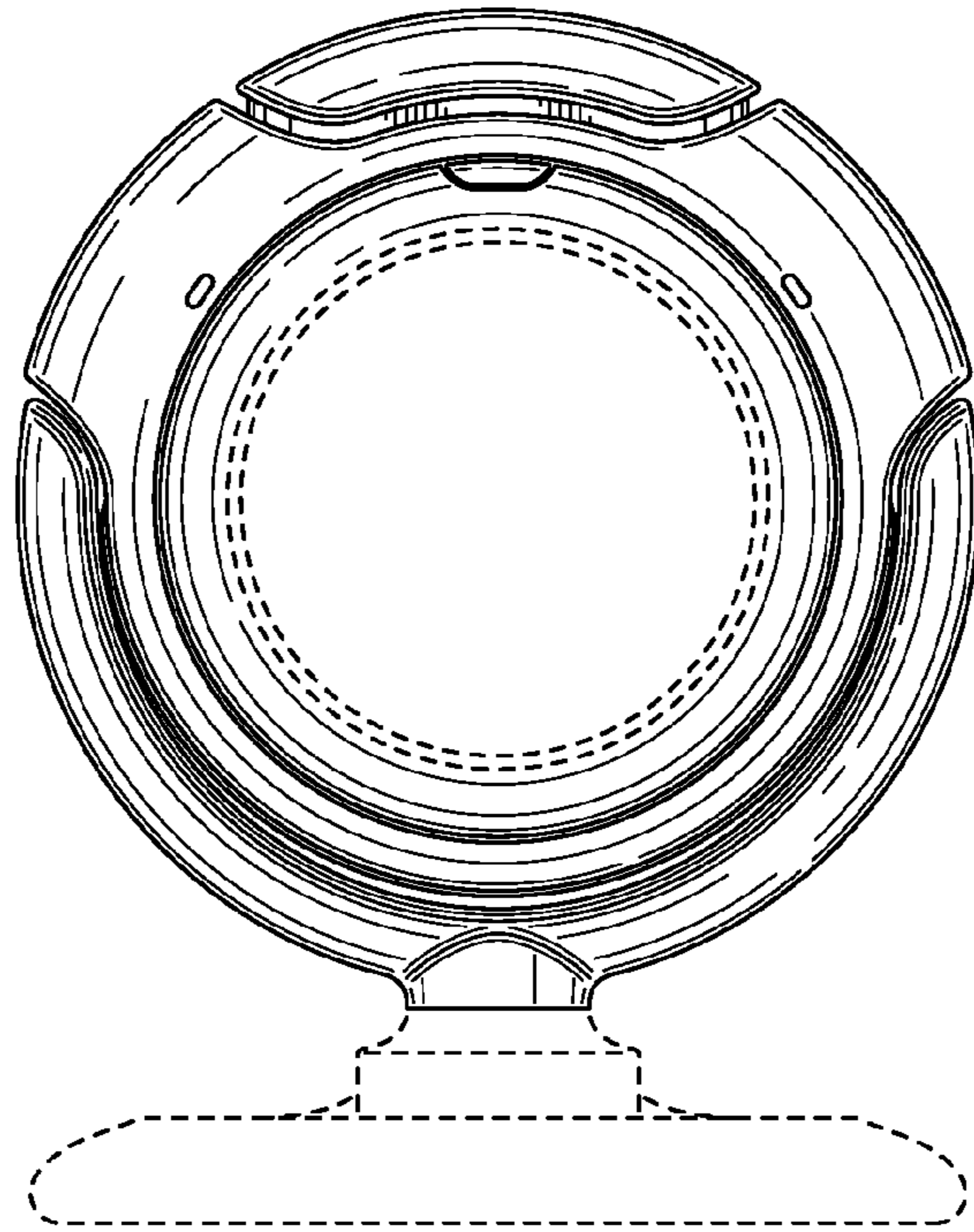


FIG. 2

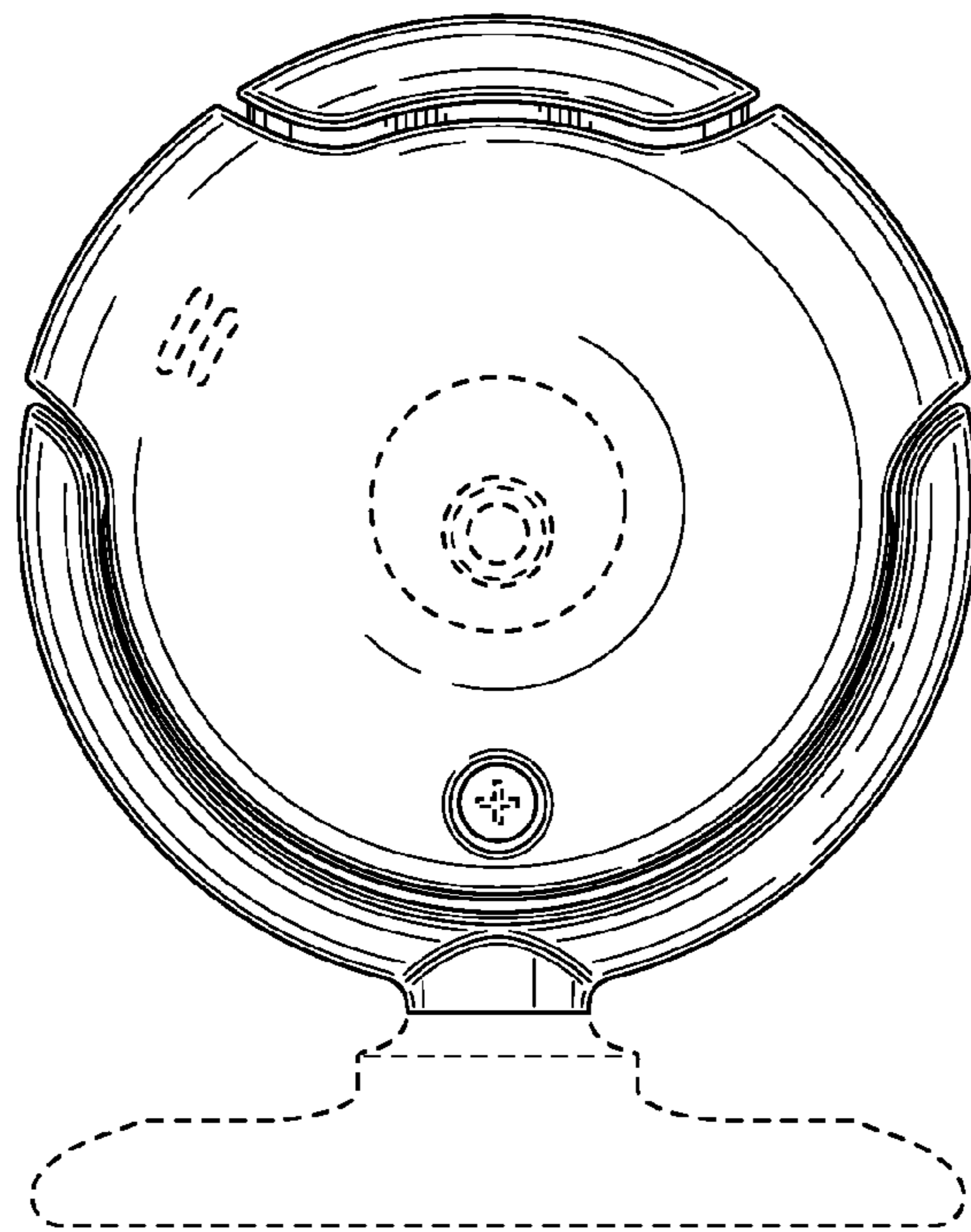


FIG. 3

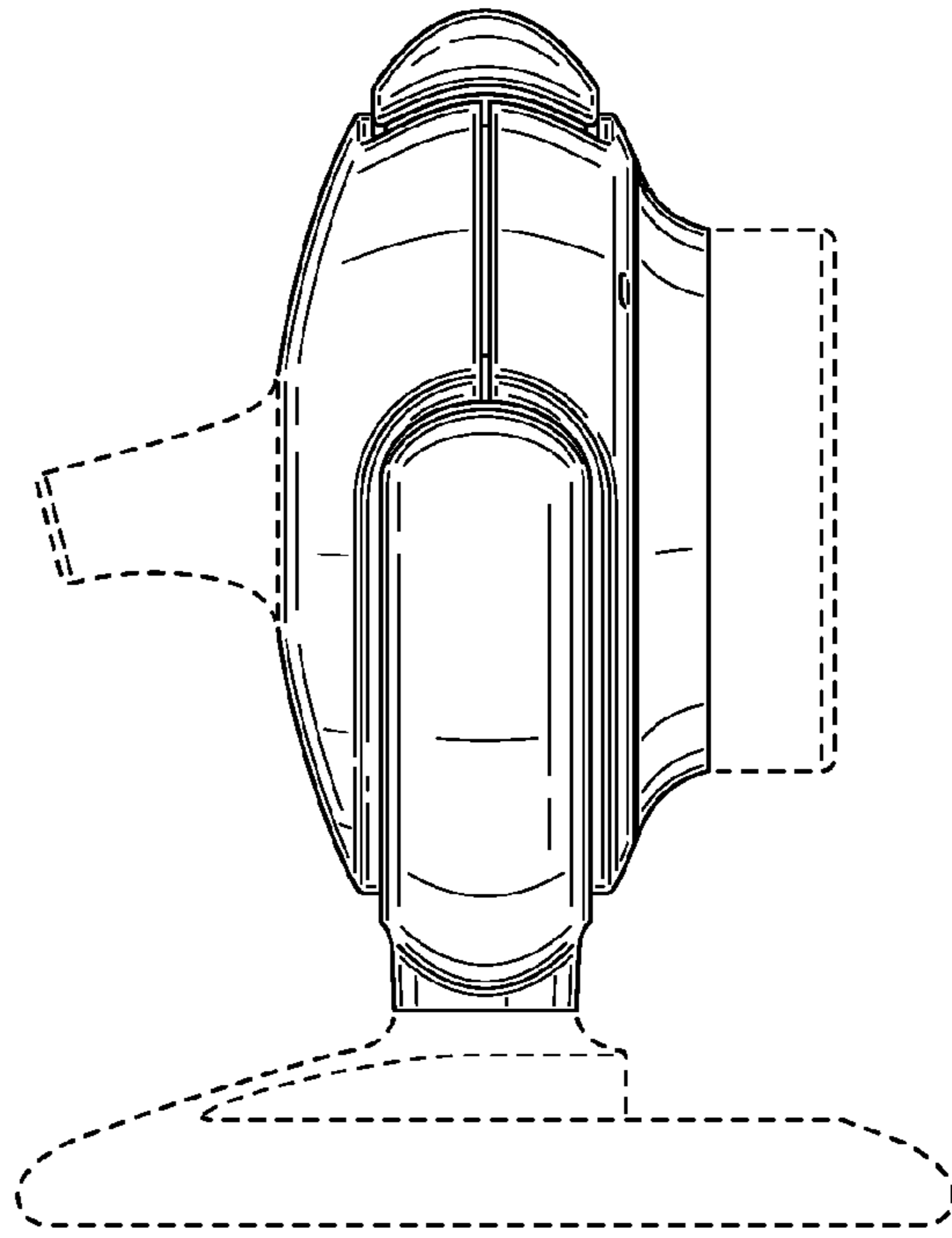


FIG. 4

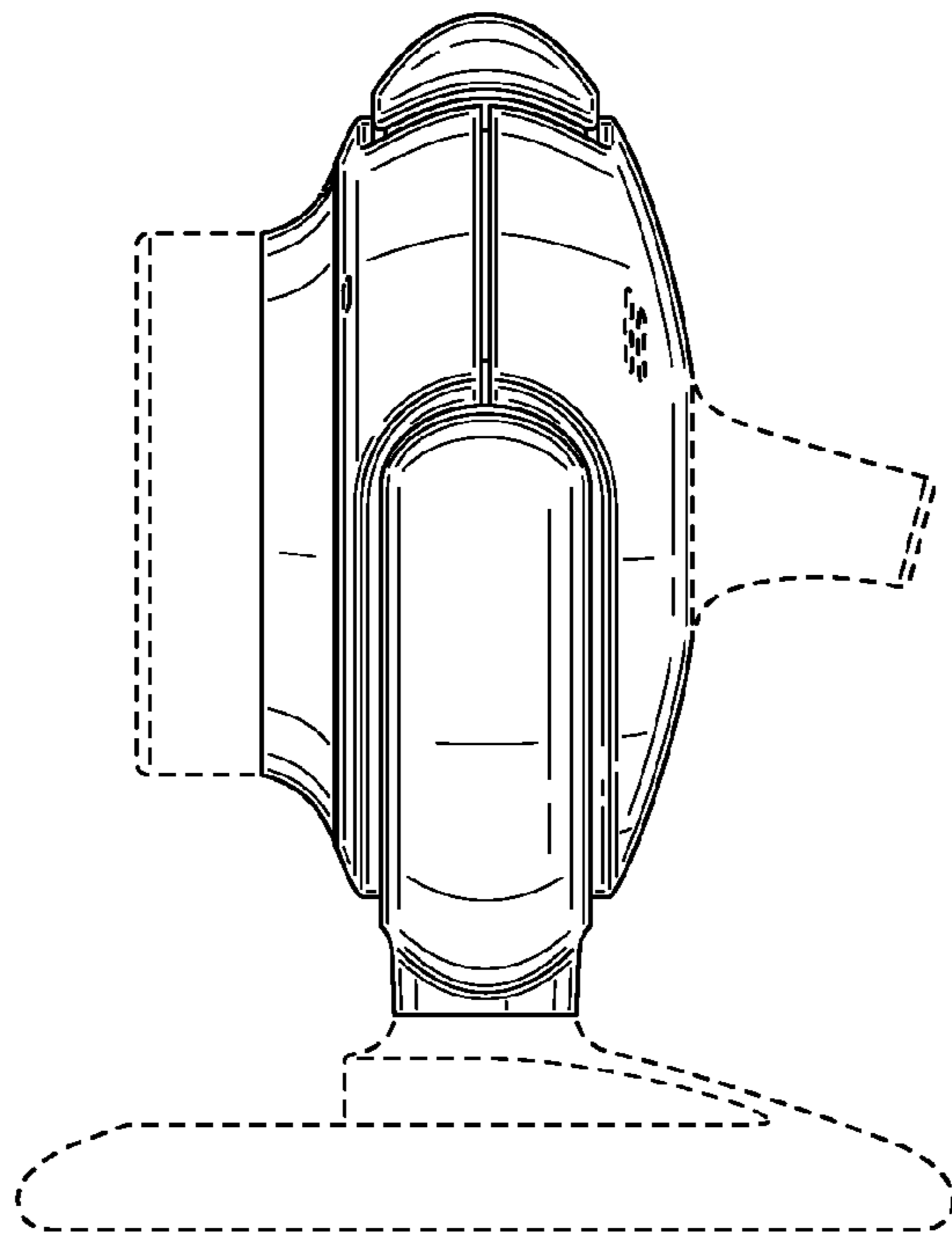


FIG. 5



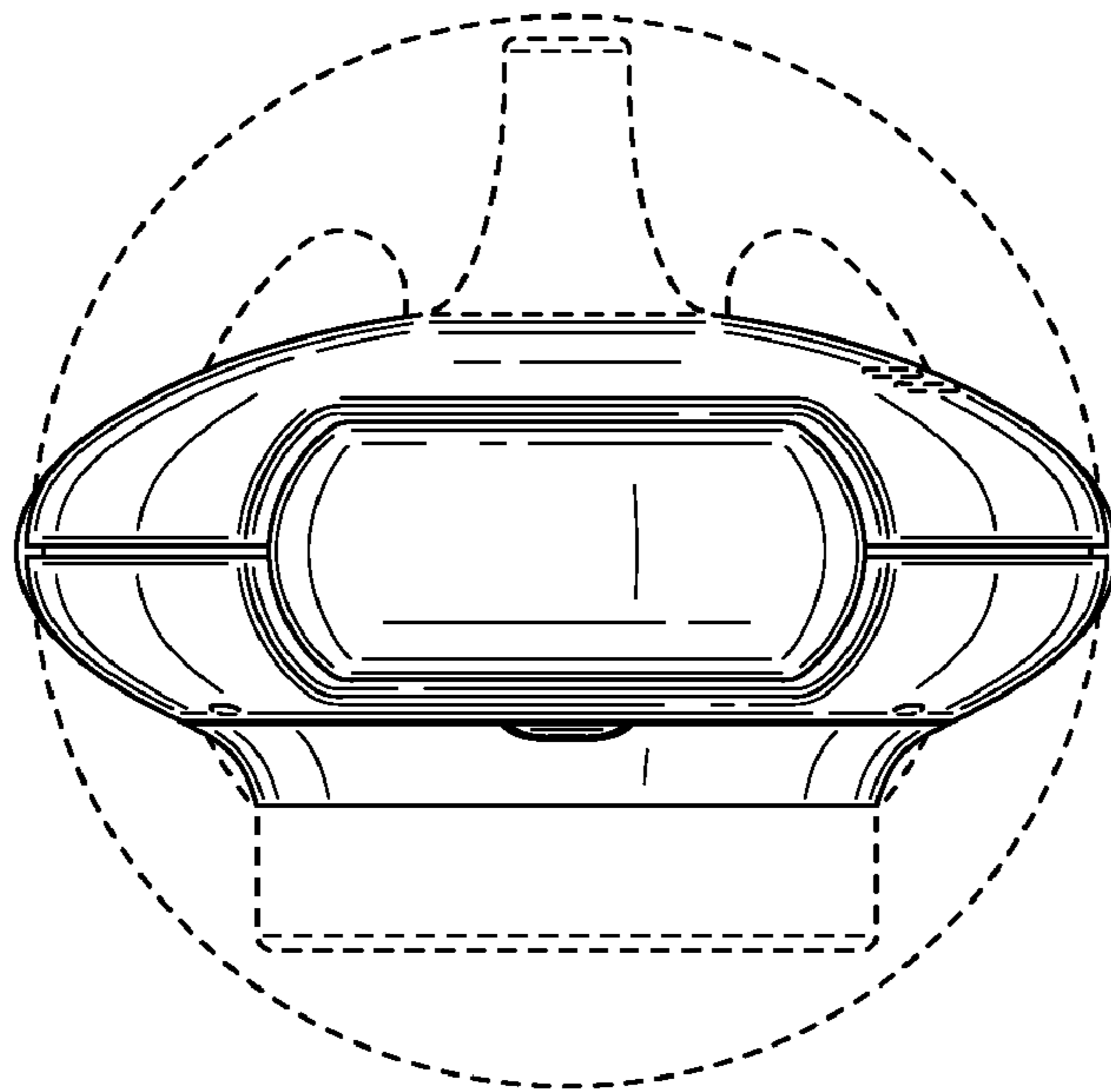


FIG. 6

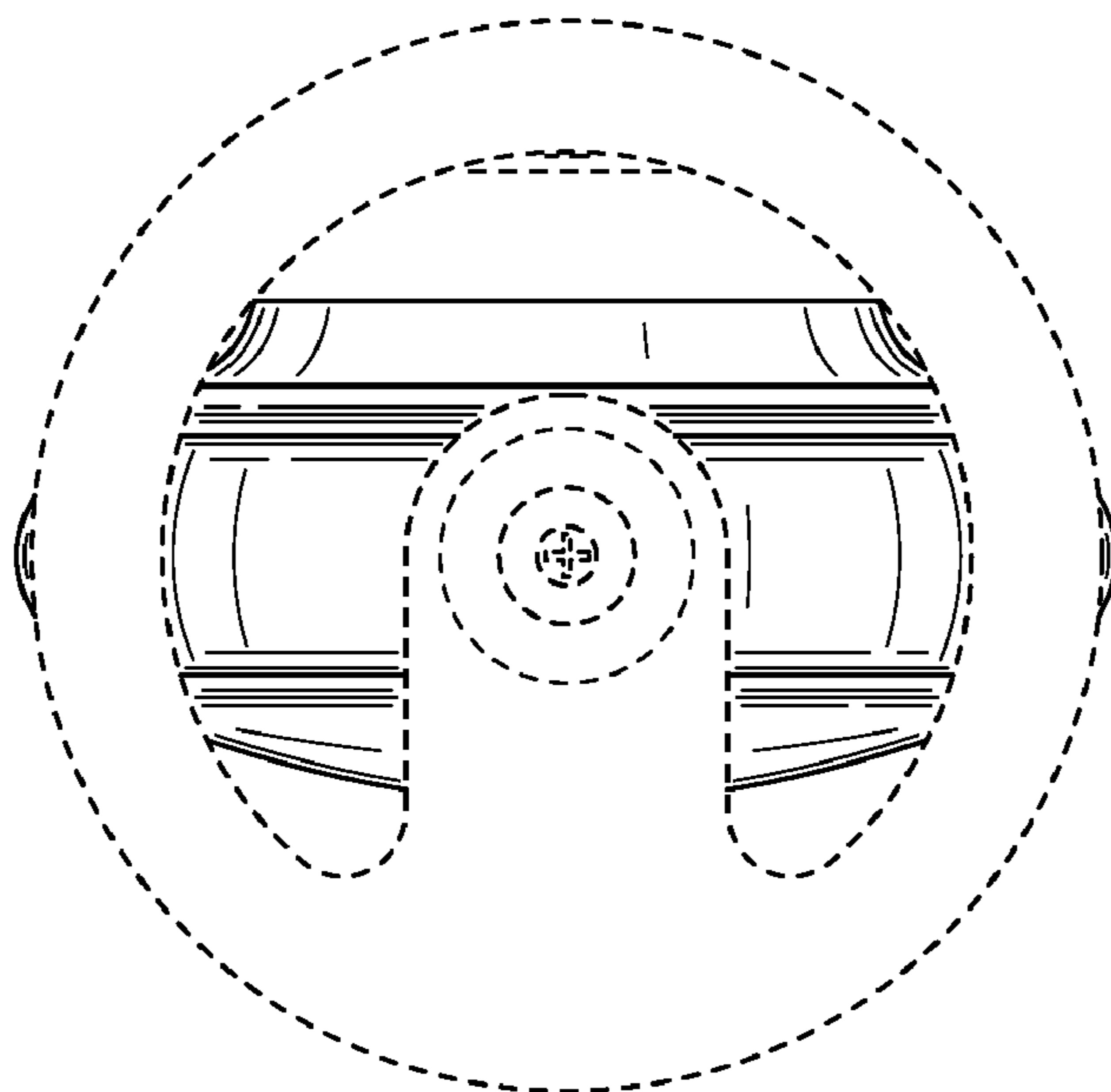


FIG. 7