



US00D557309S

(12) **United States Design Patent**
Shimizu

(10) **Patent No.:** **US D557,309 S**

(45) **Date of Patent:** **** Dec. 11, 2007**

(54) **COMBINED VIDEO CAMERA, VIDEO TAPE
RECORDER AND STORAGE MEDIUM
PLAYER/RECORDER**

D540,840 S * 4/2007 Nishiwaki D16/219

OTHER PUBLICATIONS

Web page "Sony eCatalog, DCR-TRV900" <http://www.ecat.sony.co.jp/camera/handycam/products/index.cfm?PD=23&KM=DCR-TRV900>, 1 sheet, Sony (Nov. 2003).

Web page "Sony eCatalog, DCR-TRV820K" <http://www.ecat.sony.co.jp/camera/handycam/products/index.cfm?PD=35&KM=DCR-TRV820K>, 1 sheet, Sony (Nov. 2003).

Web page "Sony eCatalog, DCR-TRV30" <http://www.ecat.sony.co.jp/camera/handycam/products/index.cfm?PD=28&KM=DCR-TRV30>, 1 sheet, Sony (Nov. 2003).

Web page "Sony eCatalog, DCR-TRVIP7" <http://www.ecat.sony.co.jp/camera/handycam/products/index.cfm?PD=20&KM=DCR-IP7>, 1 sheet, Sony (Nov. 2003).

* cited by examiner

Primary Examiner—Adir Aronovich

(74) *Attorney, Agent, or Firm*—Rader, Fishman, Grauer, PLLC

(75) Inventor: **Minoru Shimizu**, Tokyo (JP)

(73) Assignee: **Sony Corporation**, Tokyo (JP)

(**) Term: **14 Years**

(21) Appl. No.: **29/199,592**

(22) Filed: **Feb. 19, 2004**

(51) **LOC (8) Cl.** **16-05**

(52) **U.S. Cl.** **D16/219**

(58) **Field of Classification Search** D16/200–205,
D16/208, 218, 219; 348/373–376; 358/906,
358/909.1; 396/535–541

See application file for complete search history.

(56) **References Cited**

U.S. PATENT DOCUMENTS

D280,105 S *	8/1985	Busch	D16/219
D400,900 S	11/1998	Harata		
D407,097 S *	3/1999	Suzuki et al.	D16/202
D423,541 S *	4/2000	Ohwada	D16/202
D426,843 S *	6/2000	Tanaka	D16/202
D464,070 S	10/2002	Miyashita		
D472,258 S *	3/2003	Yin et al.	D16/202
D486,842 S *	2/2004	Kim et al.	D16/202
D493,185 S *	7/2004	Lo et al.	D16/202
6,809,773 B1 *	10/2004	Watarai et al.	348/373
D500,776 S *	1/2005	Miyashita	D16/202
D504,452 S *	4/2005	Yoshida	D16/219
D505,686 S *	5/2005	Ikenaga	D16/219

(57) **CLAIM**

The ornamental design for a combined video camera, video tape recorder and storage medium player/recorder, as shown and described.

DESCRIPTION

FIG. 1 is a right side elevational view a combined video camera, video tape recorder and storage medium player/recorder showing my new design; and,

FIG. 2 is a right side perspective view thereof.

Portions of FIGS. 1 and 2 that are shown as broken lines are for illustrative purpose only and form no part of the claimed design.

1 Claim, 2 Drawing Sheets

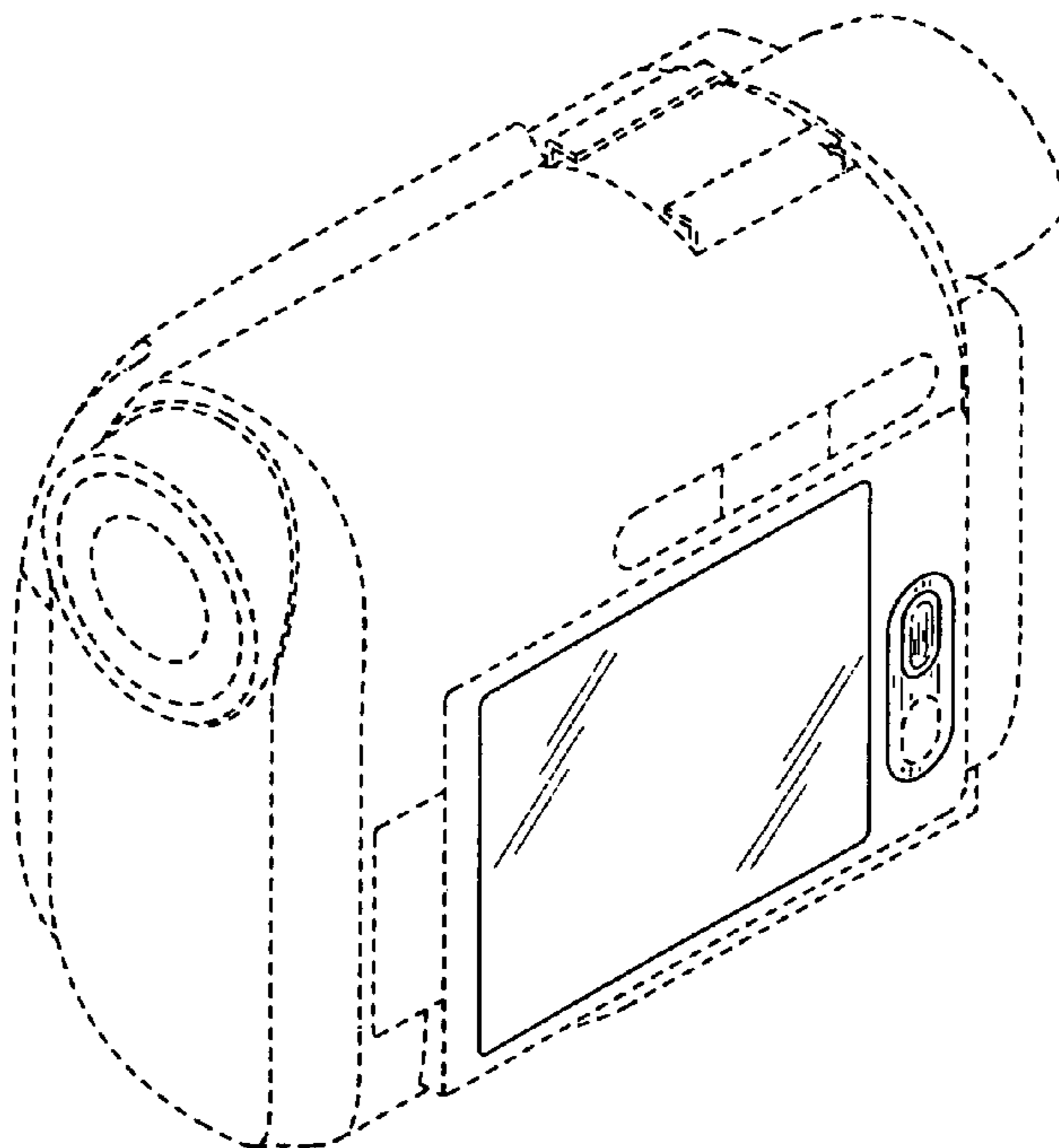


Fig.1

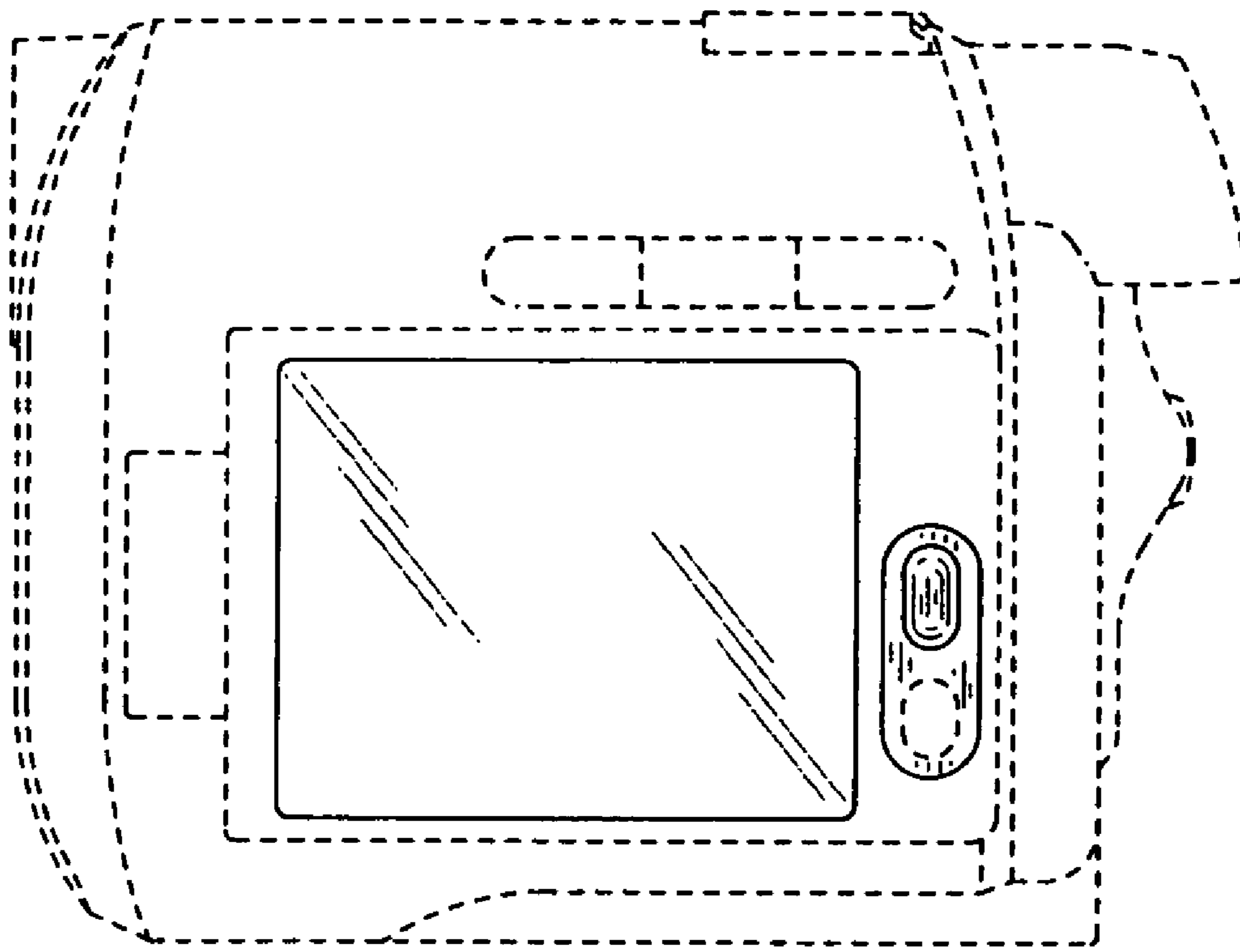


Fig.2

