



US00D557308S

(12) **United States Design Patent**
Matsuda

(10) **Patent No.:** **US D557,308 S**

(45) **Date of Patent:** **** Dec. 11, 2007**

(54) **DIGITAL SINGLE-LENS REFLEX CAMERA**

(75) Inventor: **Takashi Matsuda**, Saitama (JP)

(73) Assignee: **PENTAX Corporation**, Tokyo (JP)

(**) Term: **14 Years**

(21) Appl. No.: **29/263,145**

(22) Filed: **Jul. 18, 2006**

(30) **Foreign Application Priority Data**

Jan. 19, 2006 (JP) 2006-000989

(51) **LOC (8) Cl.** **16-01**

(52) **U.S. Cl.** **D16/217; D16/202**

(58) **Field of Classification Search** D16/200–206,
D16/208, 216, 217, 218; 348/373–376; 358/909.1;
396/177, 178, 354–359, 535–541
See application file for complete search history.

(56) **References Cited**

U.S. PATENT DOCUMENTS

D385,896 S *	11/1997	Matsuda	D16/217
D425,094 S *	5/2000	Morishita et al.	D16/217
D433,434 S *	11/2000	Hamamura	D16/217
D439,922 S *	4/2001	Kumakura	D16/217
D441,779 S *	5/2001	Akabane et al.	D16/217
6,351,609 B1 *	2/2002	Hosokawa et al.	396/177
D471,222 S *	3/2003	Matsumura	D16/217
D491,593 S *	6/2004	Haga	D16/202
7,182,529 B2 *	2/2007	Kurosawa	396/358

OTHER PUBLICATIONS

Kind of telephone communication line: Internet; Confirmed date of publication: Aug. 30, 2005; Publisher: PENTAX Corporation; Title: PENTAX News Release 2005 Compact type / lens convertible digital single lens reflex camera “PENTAX ist Ds2”; Address of published page: Digital camera shown in URL <http://www.pentax.com.jp/japan/news/2005/200534.html>.

* cited by examiner

Primary Examiner—Adir Aronovich

(74) *Attorney, Agent, or Firm*—Sughrue Mion, PLLC

(57) **CLAIM**

The ornamental design for a digital single-lens reflex camera, as shown and described.

DESCRIPTION

FIG. 1 is a perspective view of top, front, and right side of a digital single-lens reflex camera showing my new design;

FIG. 2 is a front elevational view thereof;

FIG. 3 is a rear elevational view thereof;

FIG. 4 is a right side elevational view thereof;

FIG. 5 is a left side elevational view thereof;

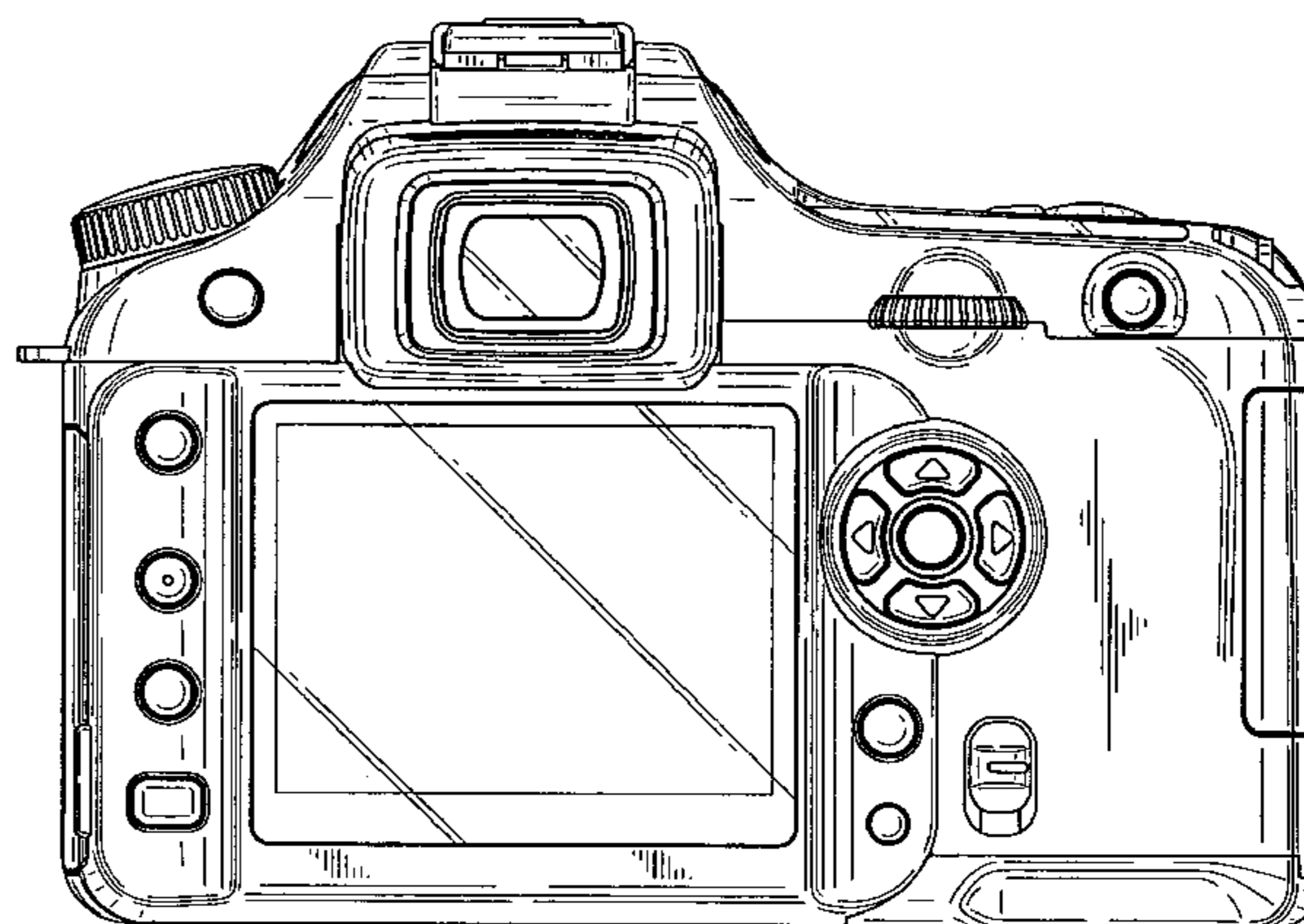
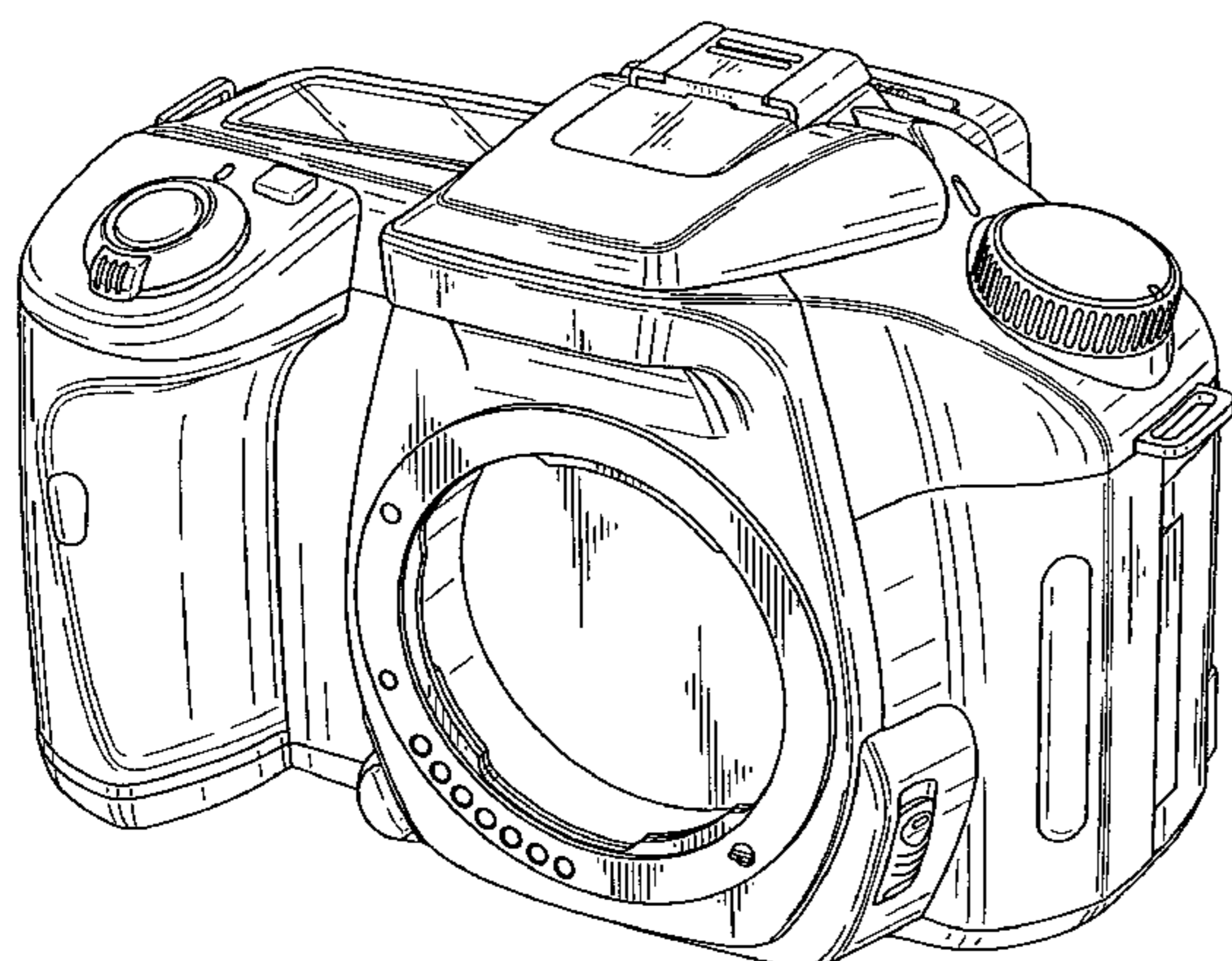
FIG. 6 is a top plan view thereof;

FIG. 7 is a bottom plan view thereof;

FIG. 8 is a front elevational view thereof showing an open state of strobe flash; and,

FIG. 9 is a right side elevational view thereof showing an open state of the strobe flash.

1 Claim, 9 Drawing Sheets



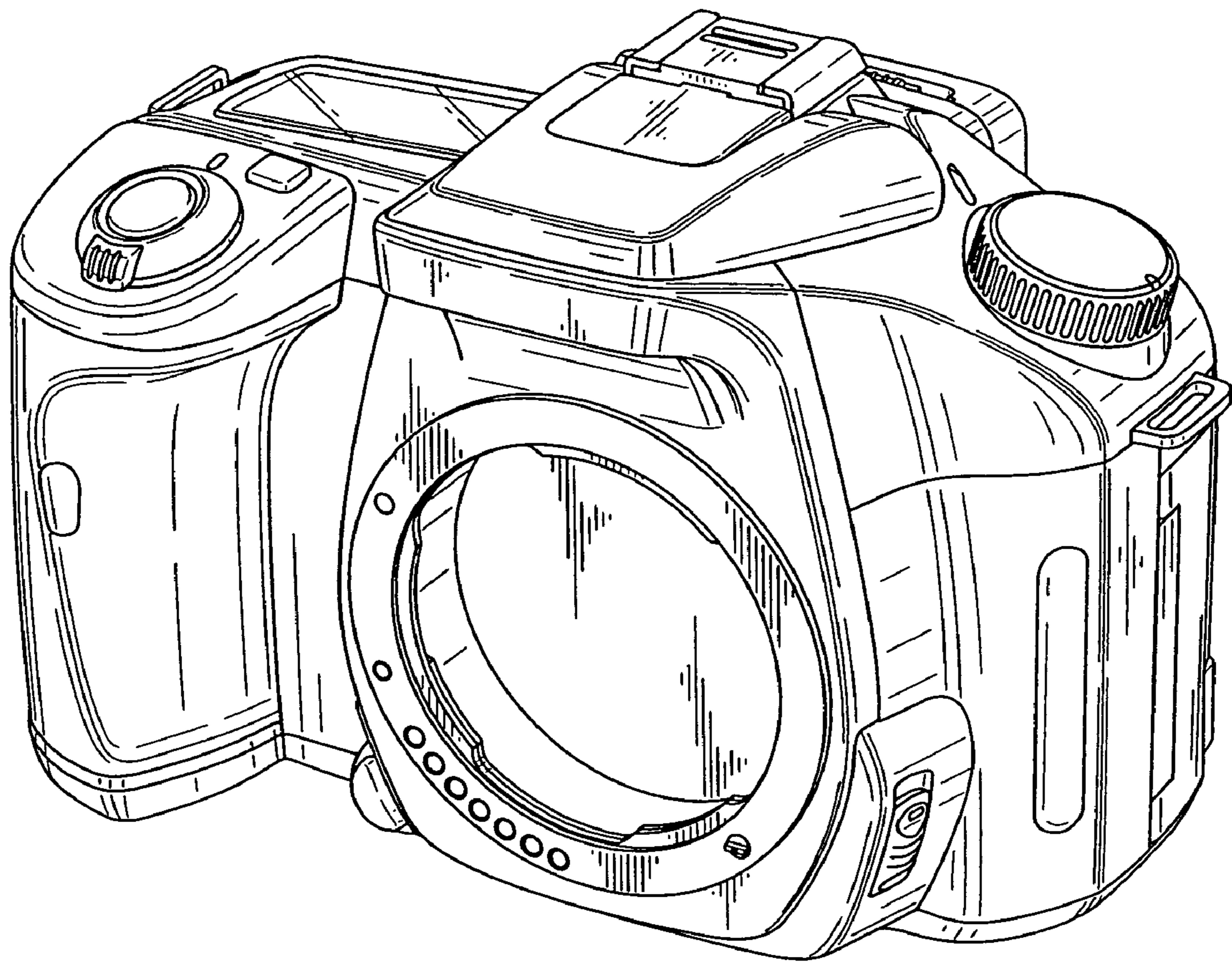


FIG. 1

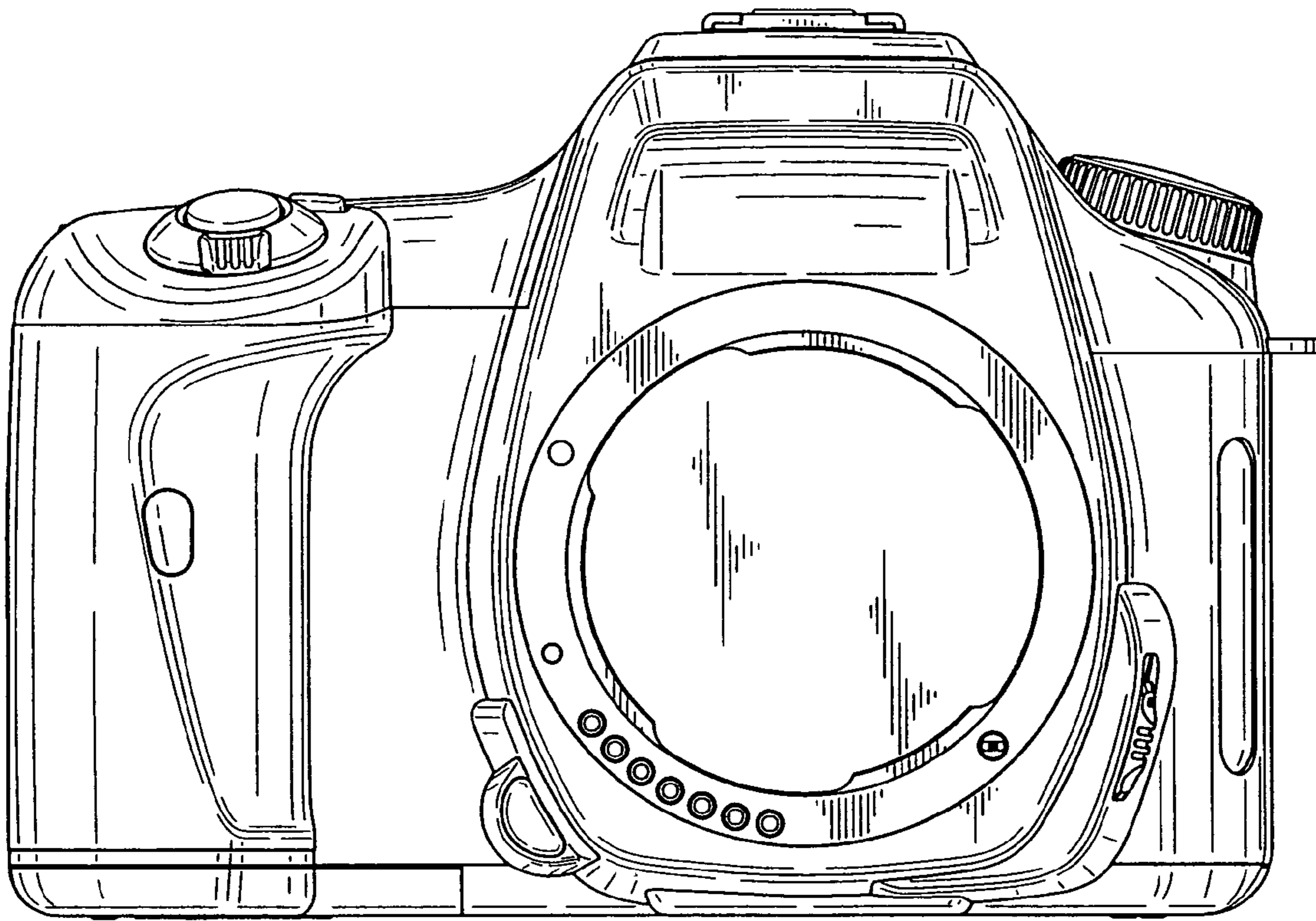


FIG. 2

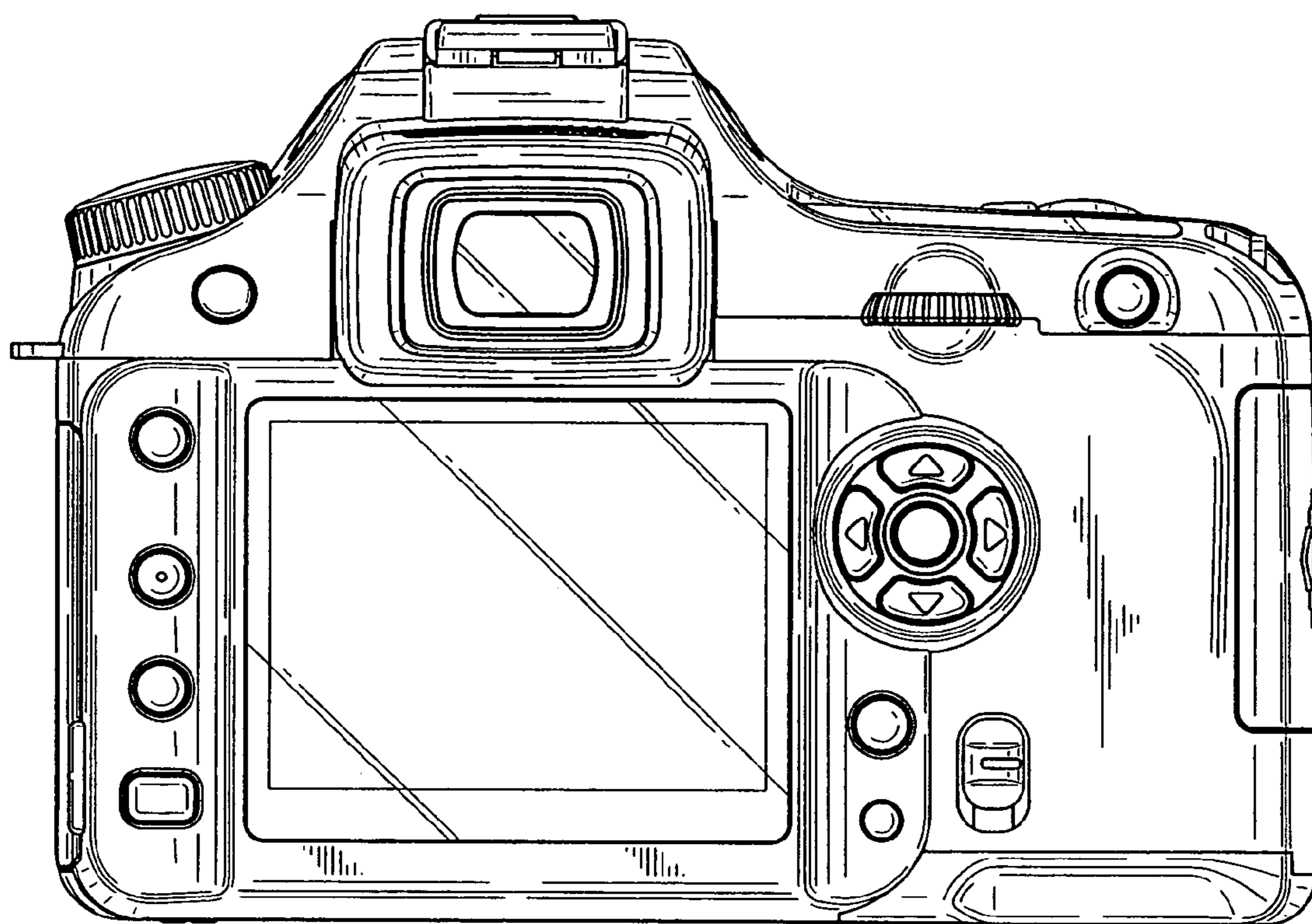


FIG. 3

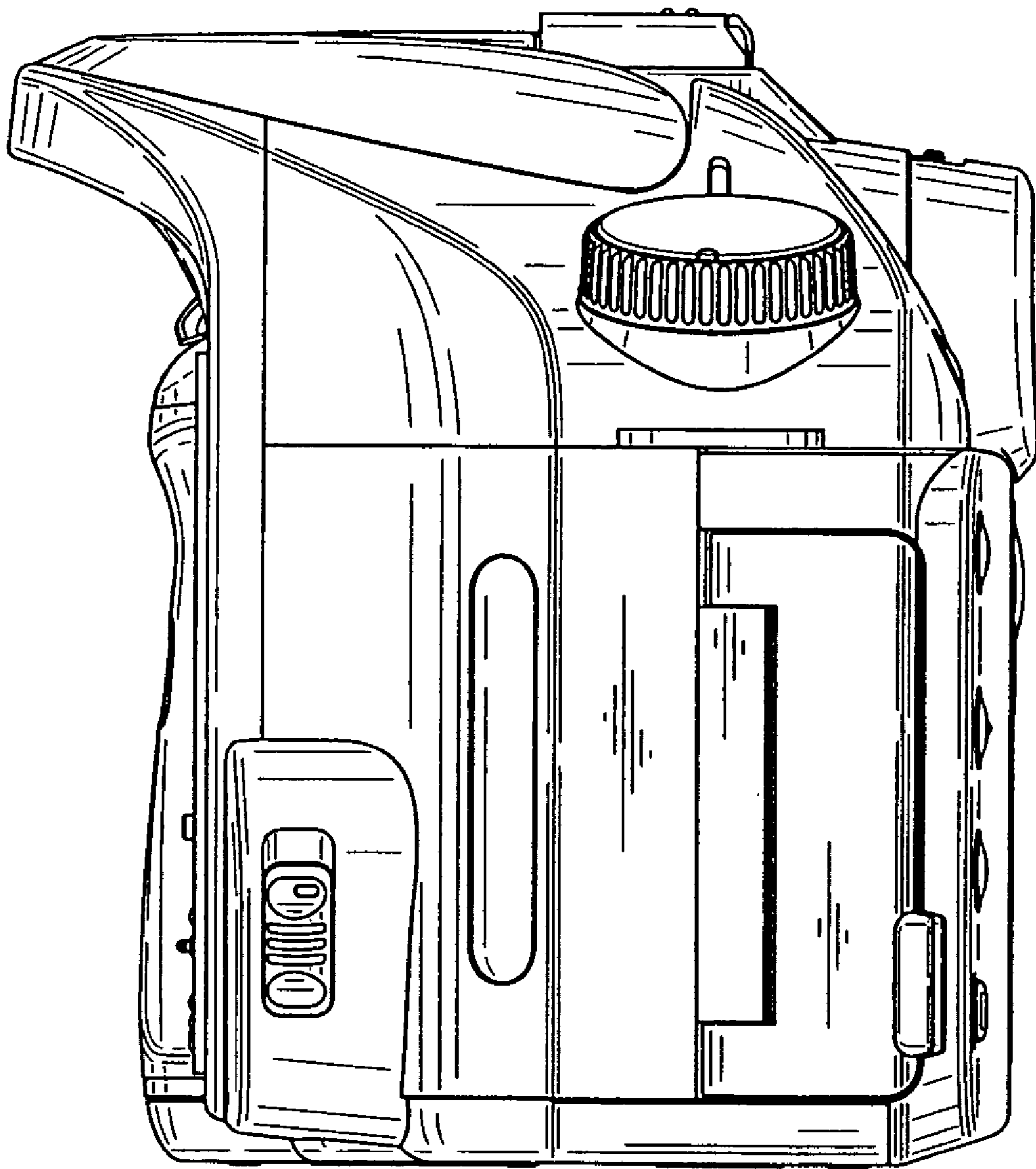


FIG. 4

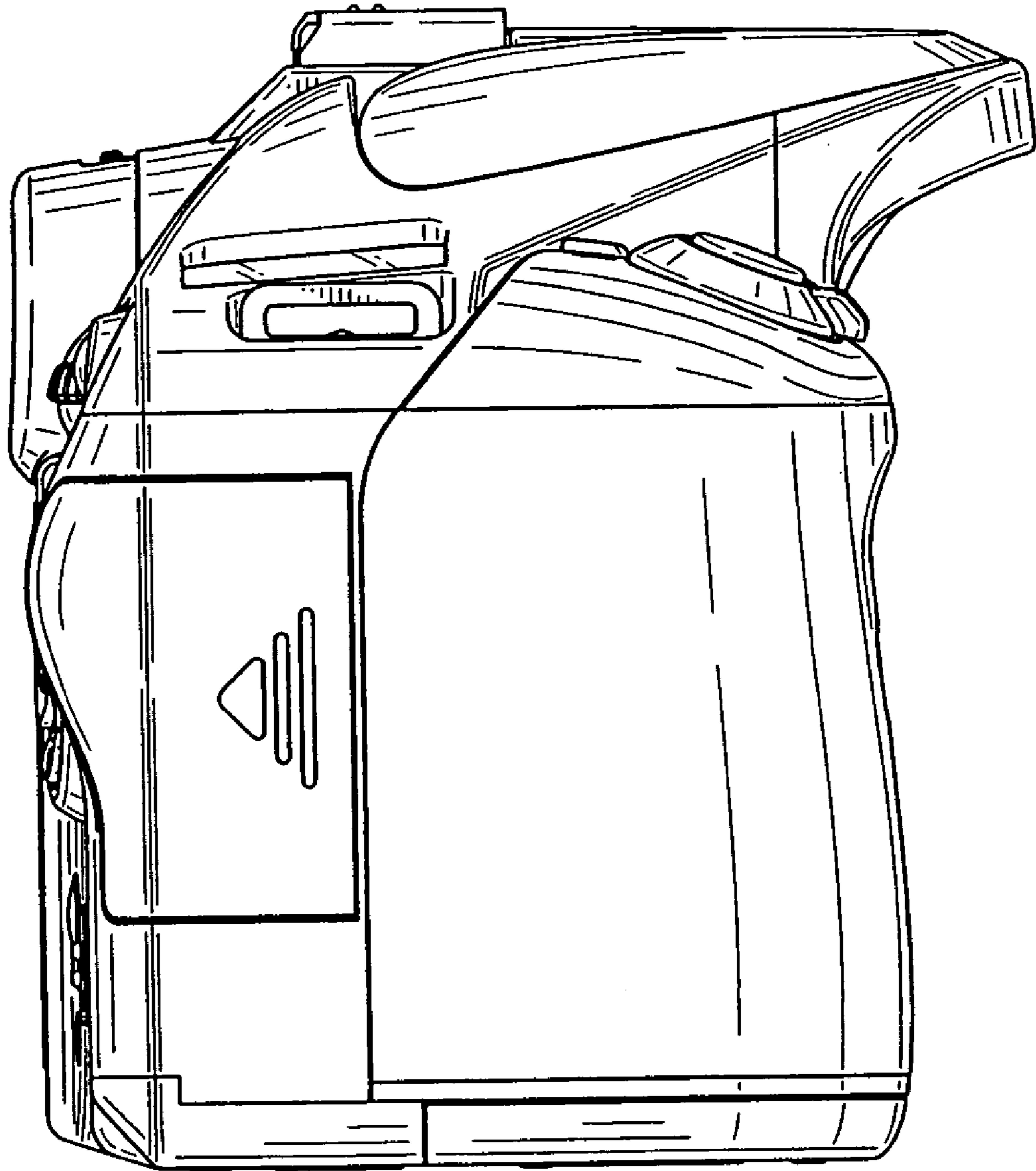


FIG. 5

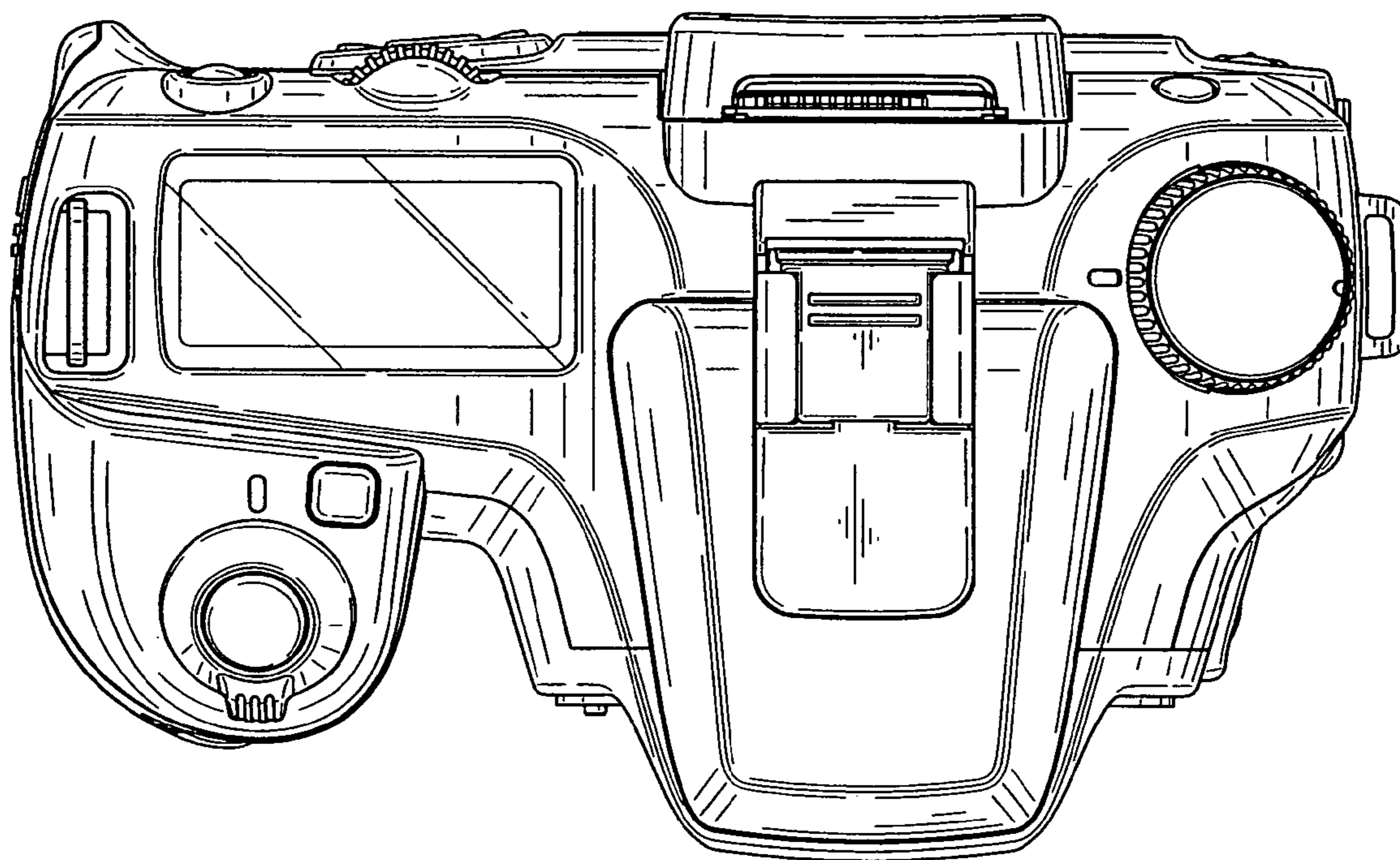


FIG. 6

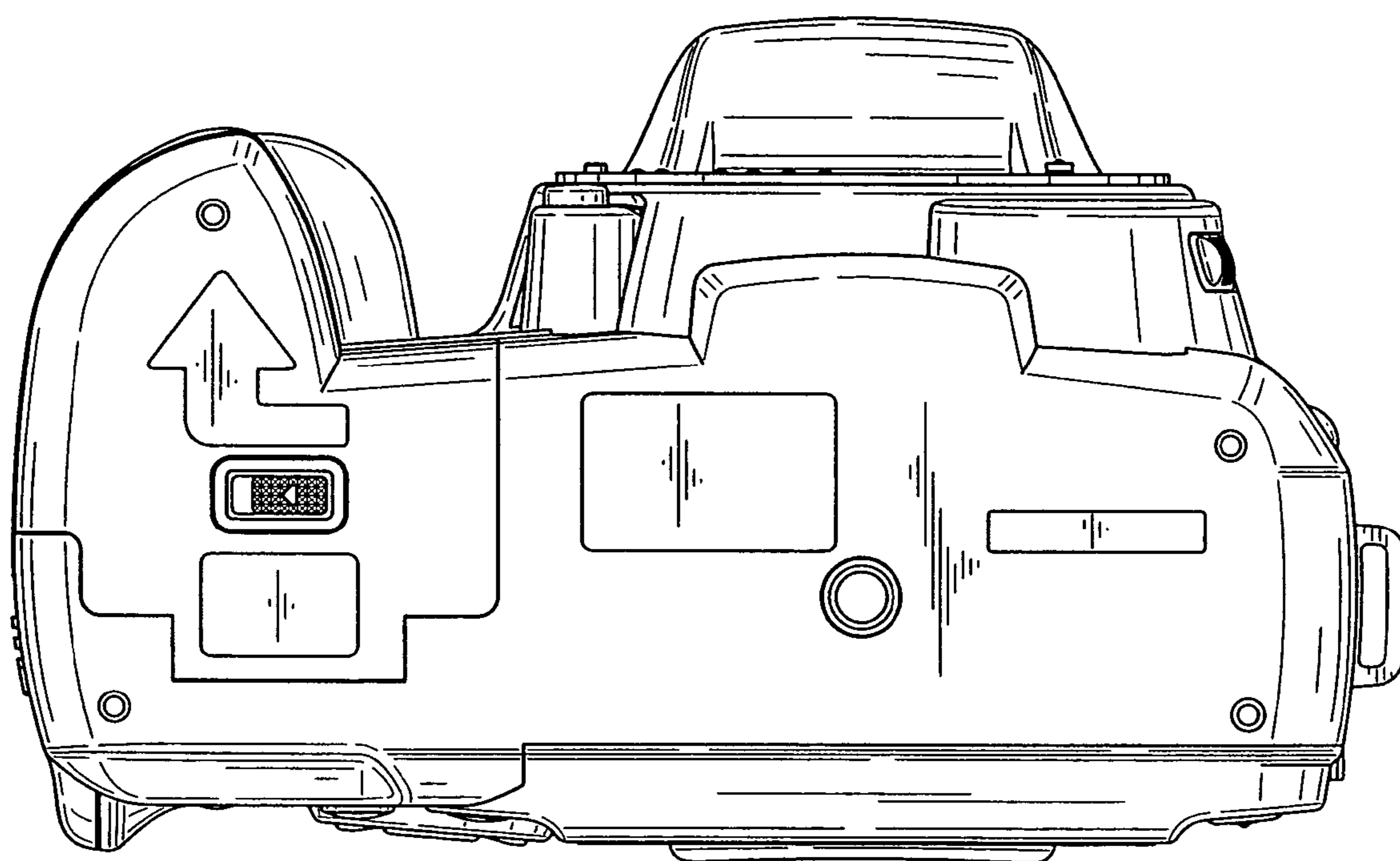


FIG. 7

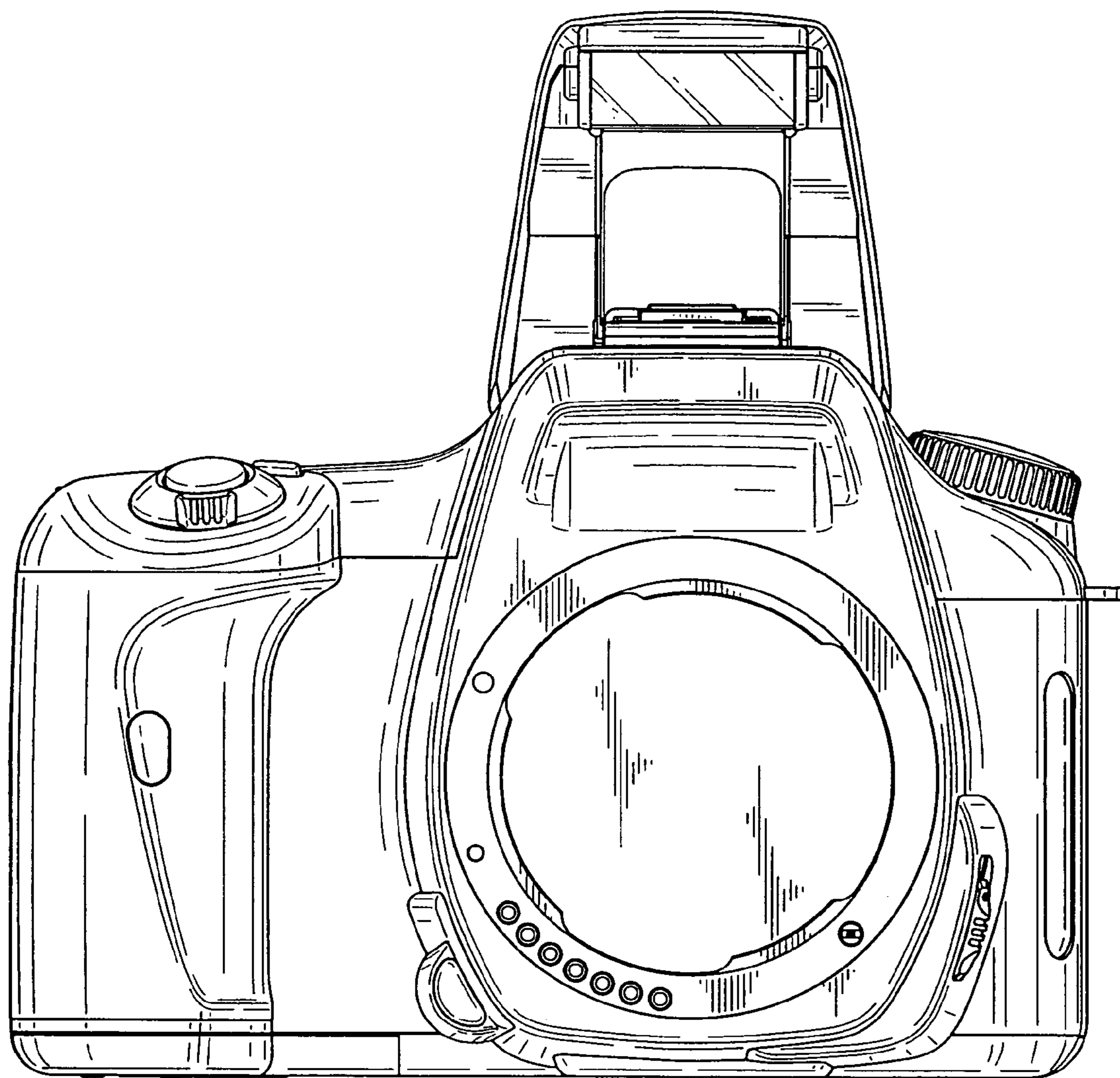


FIG. 8

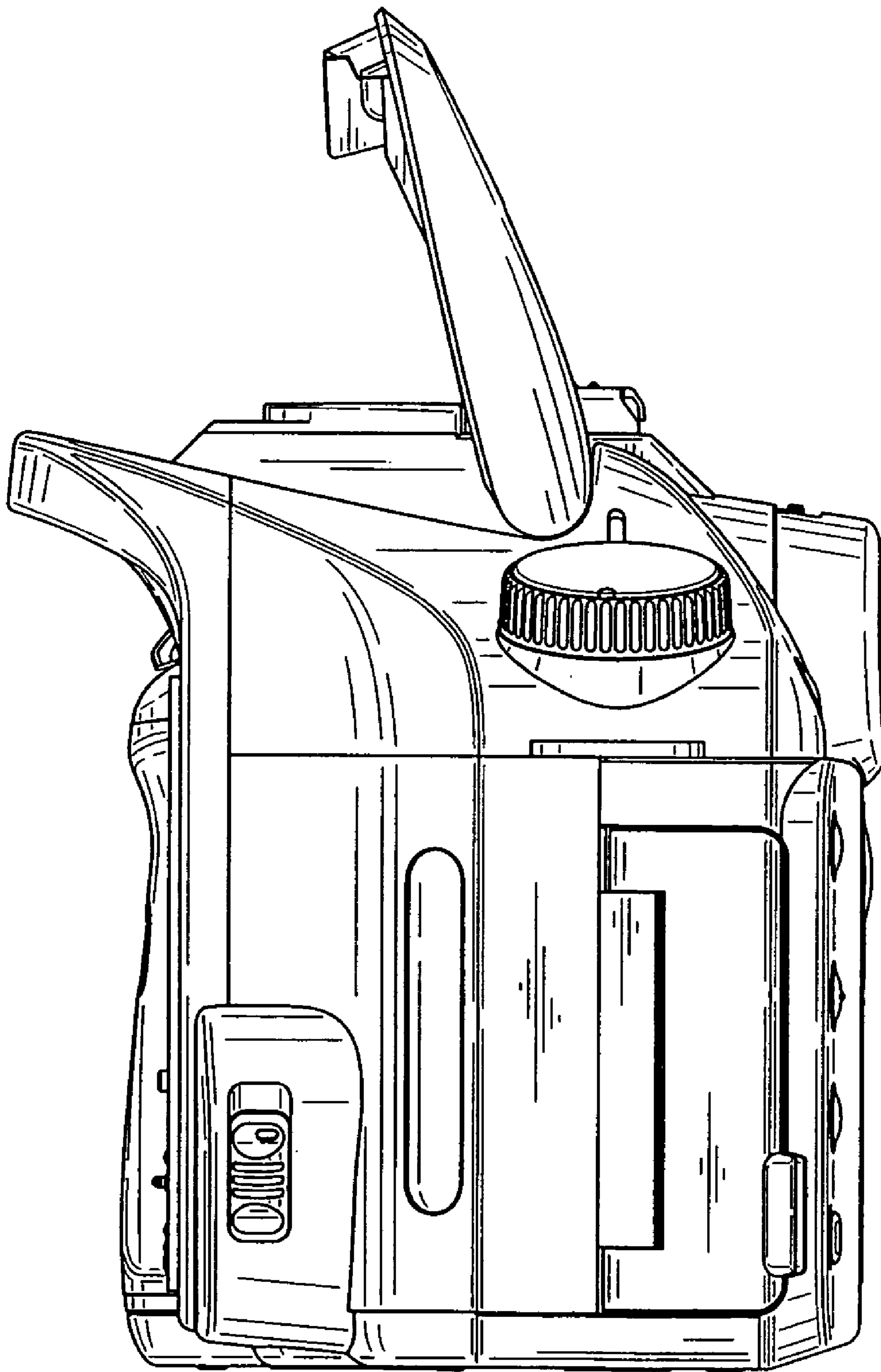


FIG. 9