



US00D557306S

(12) **United States Design Patent**
Imai

(10) **Patent No.:** **US D557,306 S**

(45) **Date of Patent:** **** Dec. 11, 2007**

(54) **ELECTRONIC CAMERA**

D532,028 S * 11/2006 Sakai D16/202
D540,357 S * 4/2007 Sakai D16/202

(75) Inventor: **Masazumi Imai**, Tokyo (JP)

* cited by examiner

(73) Assignee: **Fujifilm Corporation**, Tokyo (JP)

Primary Examiner—Adir Aronovich

(**) Term: **14 Years**

(74) *Attorney, Agent, or Firm*—Young & Thompson

(21) Appl. No.: **29/262,880**

(57) **CLAIM**

(22) Filed: **Jul. 13, 2006**

The ornamental design for an electronic camera, as shown and described.

(30) **Foreign Application Priority Data**

DESCRIPTION

Jan. 26, 2006 (JP) 2006-001669

FIG. 1 is a top, front and side perspective view of an electronic camera showing my new design;

(51) **LOC (8) Cl.** **16-01**

FIG. 2 is a front elevational view thereof;

(52) **U.S. Cl.** **D16/202**

FIG. 3 is a rear elevational view thereof;

(58) **Field of Classification Search** D16/200–204,
D16/208, 209, 218; 348/373–376; 358/909.1;
396/6, 349, 535–541

FIG. 4 is a top plan view thereof;

FIG. 5 is a bottom plan view thereof;

See application file for complete search history.

FIG. 6 is a side elevational view thereof from the left of FIG. 2;

(56) **References Cited**

FIG. 7 is a side elevational view thereof from the right of FIG. 2; and,

U.S. PATENT DOCUMENTS

FIG. 8 is a view similar to FIG. 1 but with the parts in a different position.

D386,183 S * 11/1997 Katayama D16/209
5,950,028 A * 9/1999 Ito 396/349
D473,886 S * 4/2003 Katayama D16/202
D507,586 S * 7/2005 Nakamura D16/202
D524,344 S * 7/2006 Imai D16/202

1 Claim, 4 Drawing Sheets

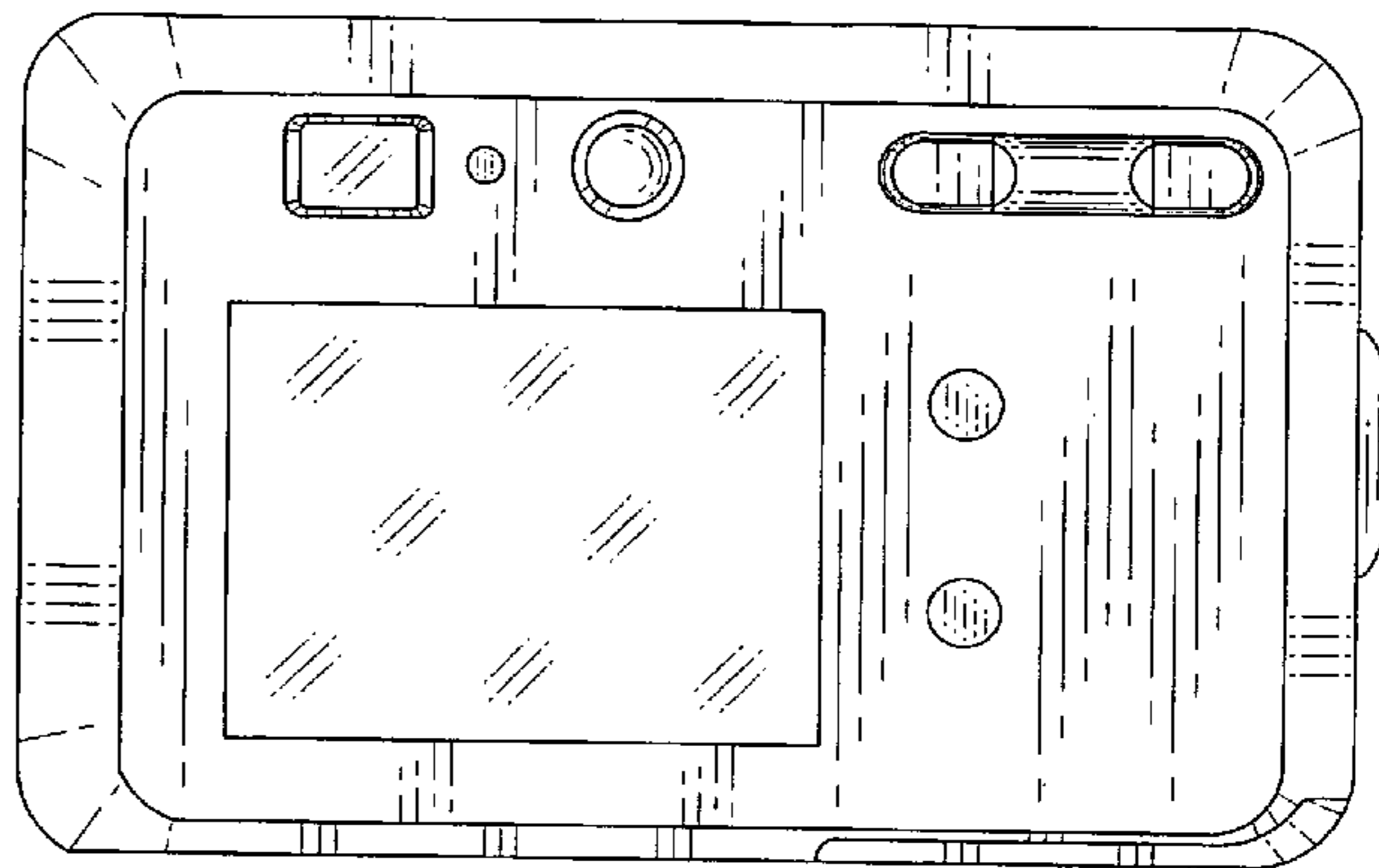
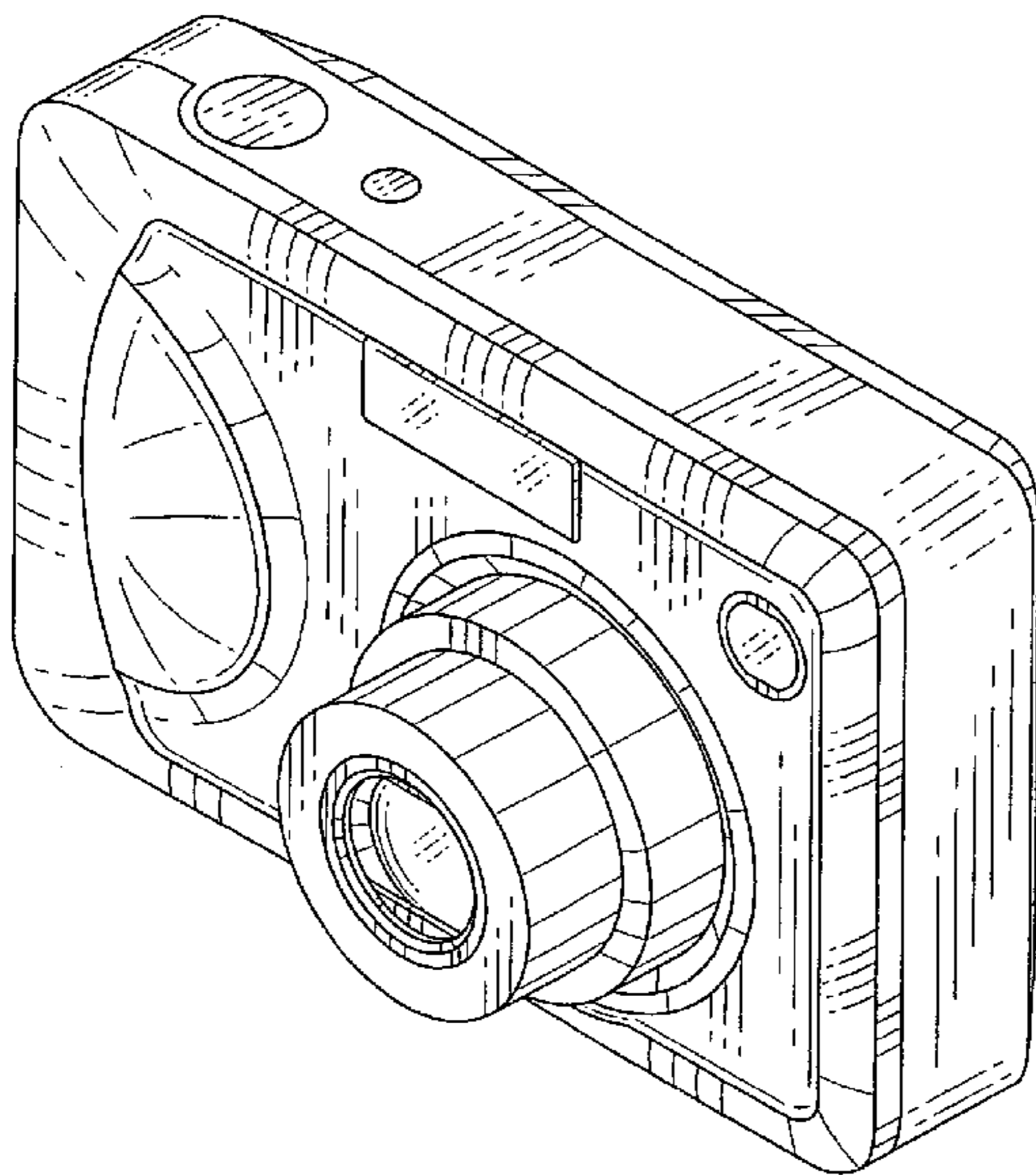


FIG.1

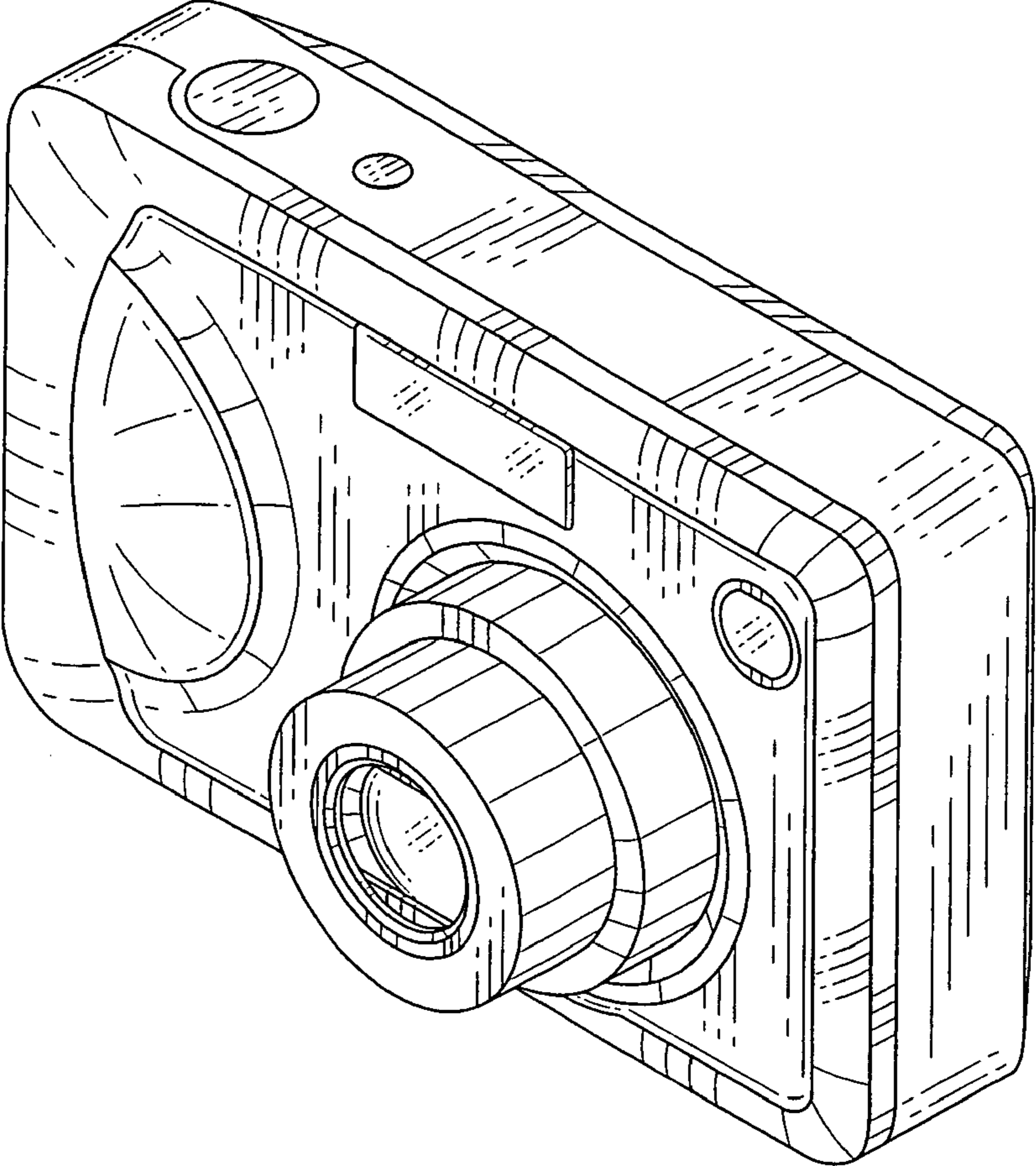


FIG.2

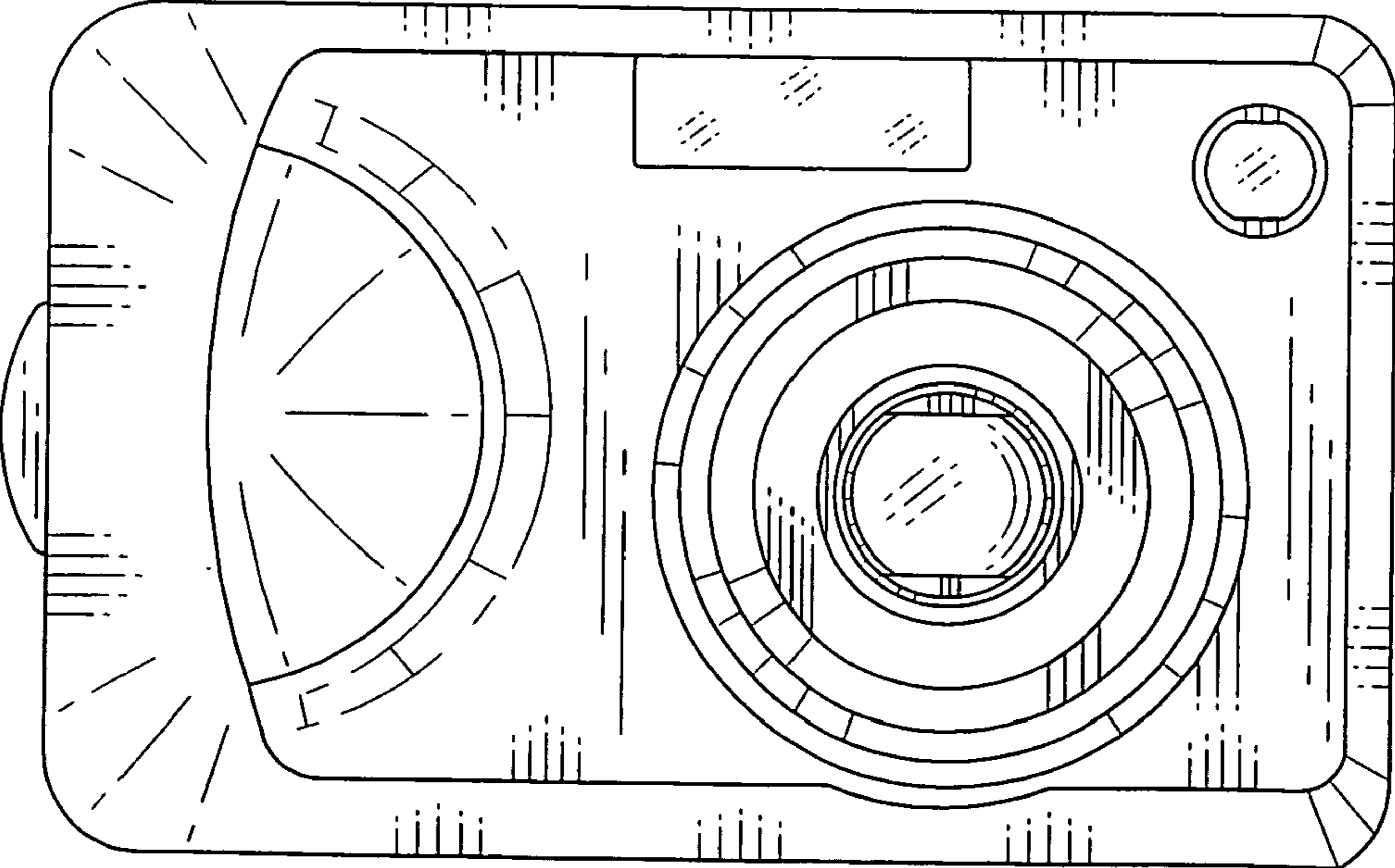


FIG.3

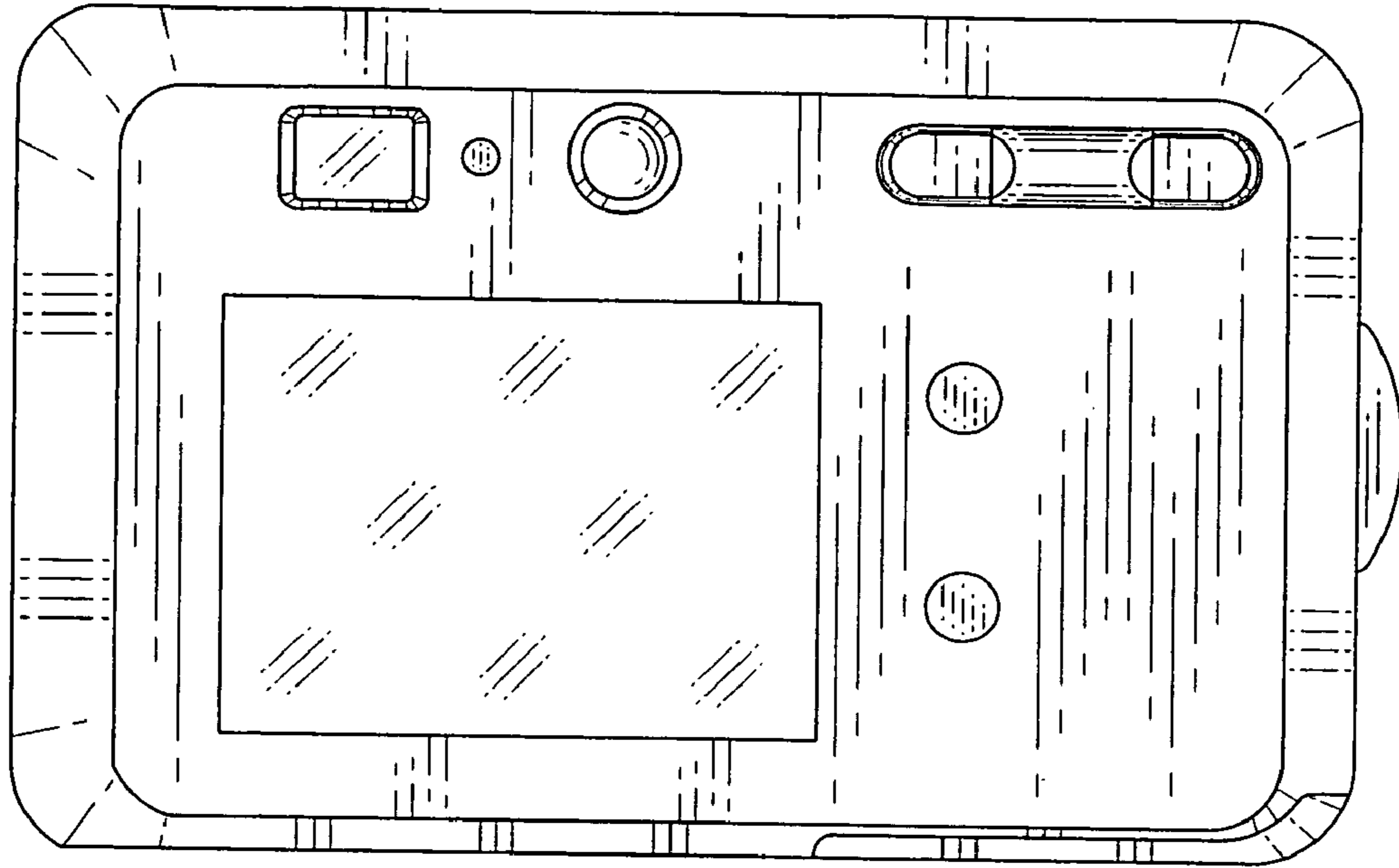


FIG.4

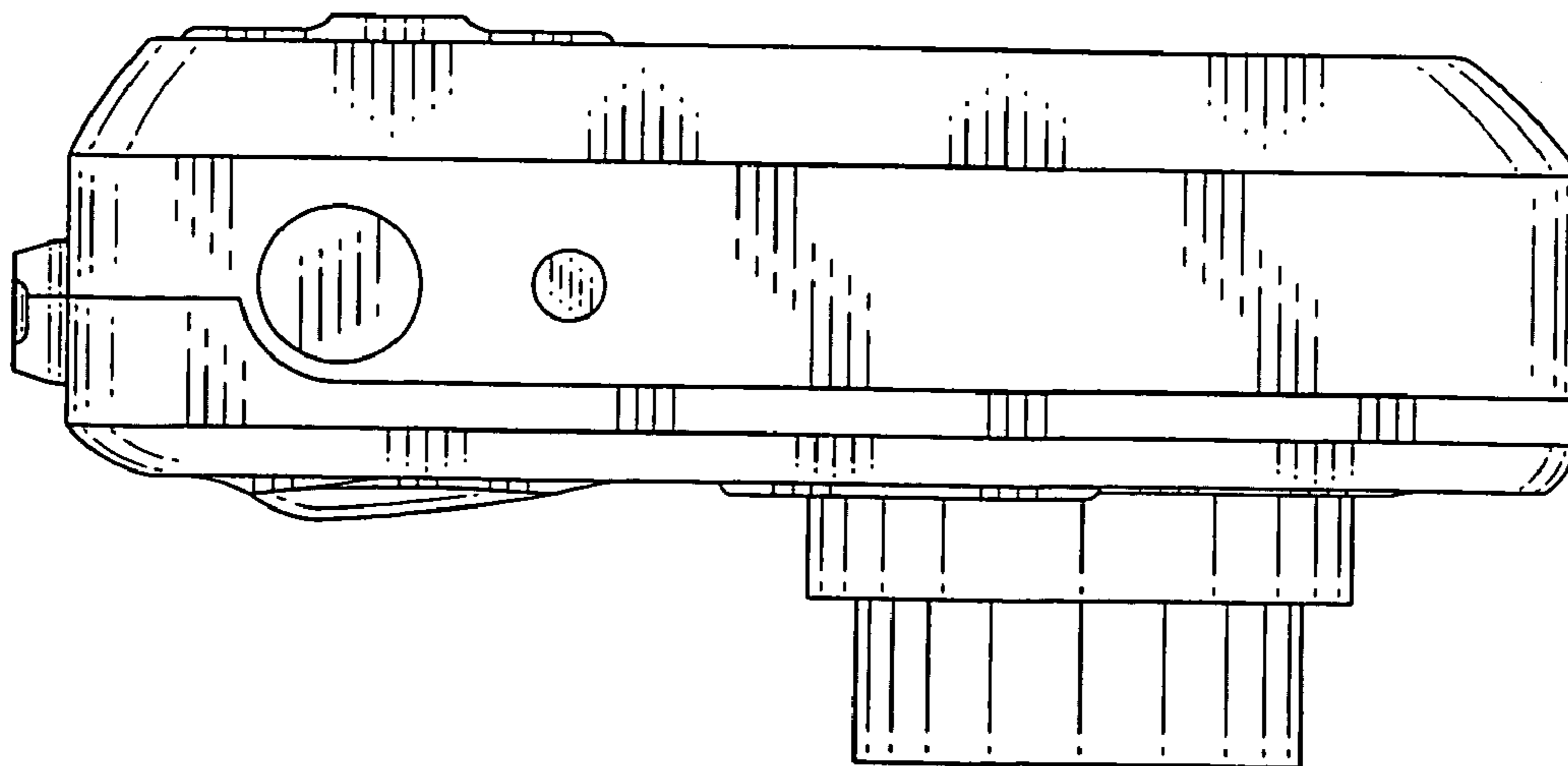


FIG.5

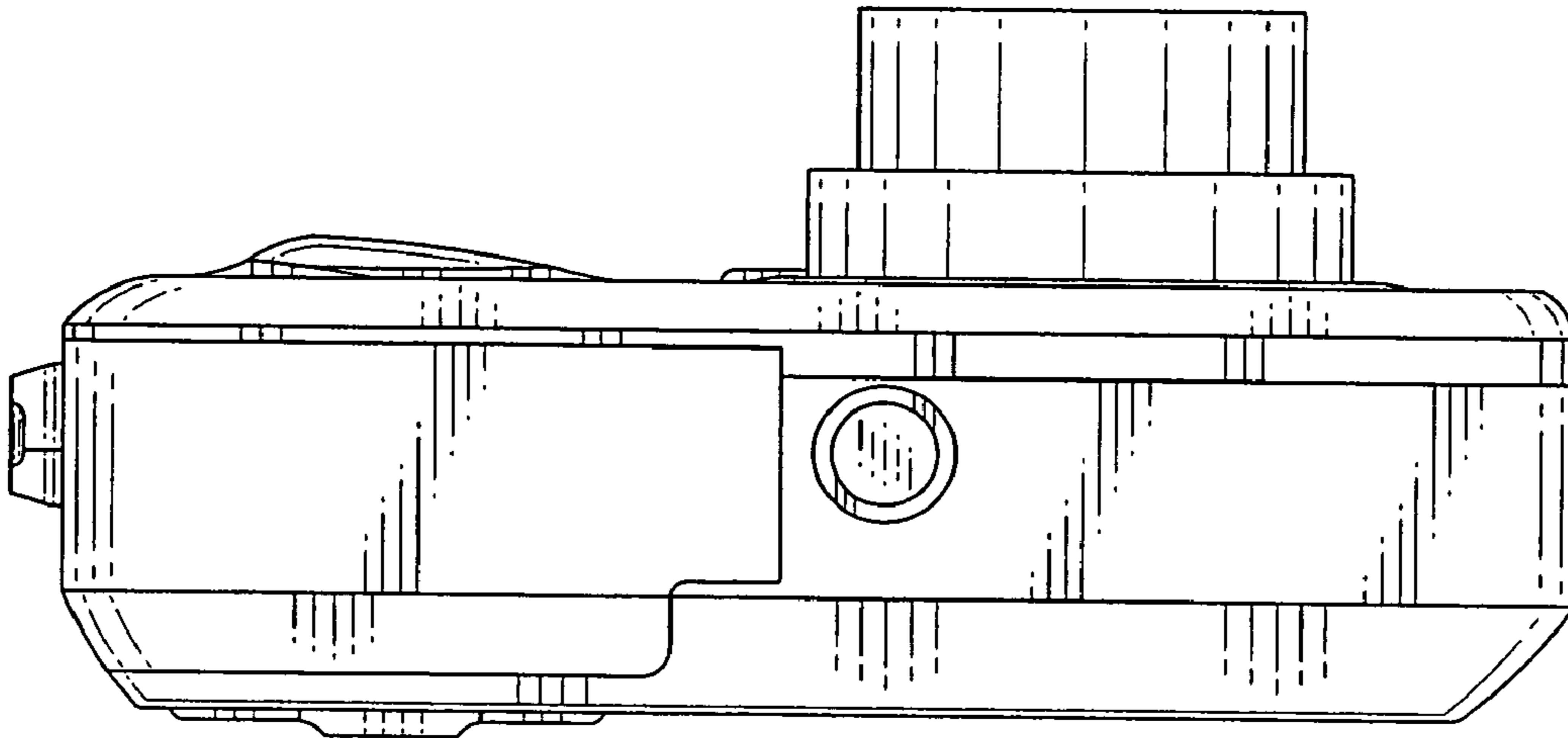


FIG.6

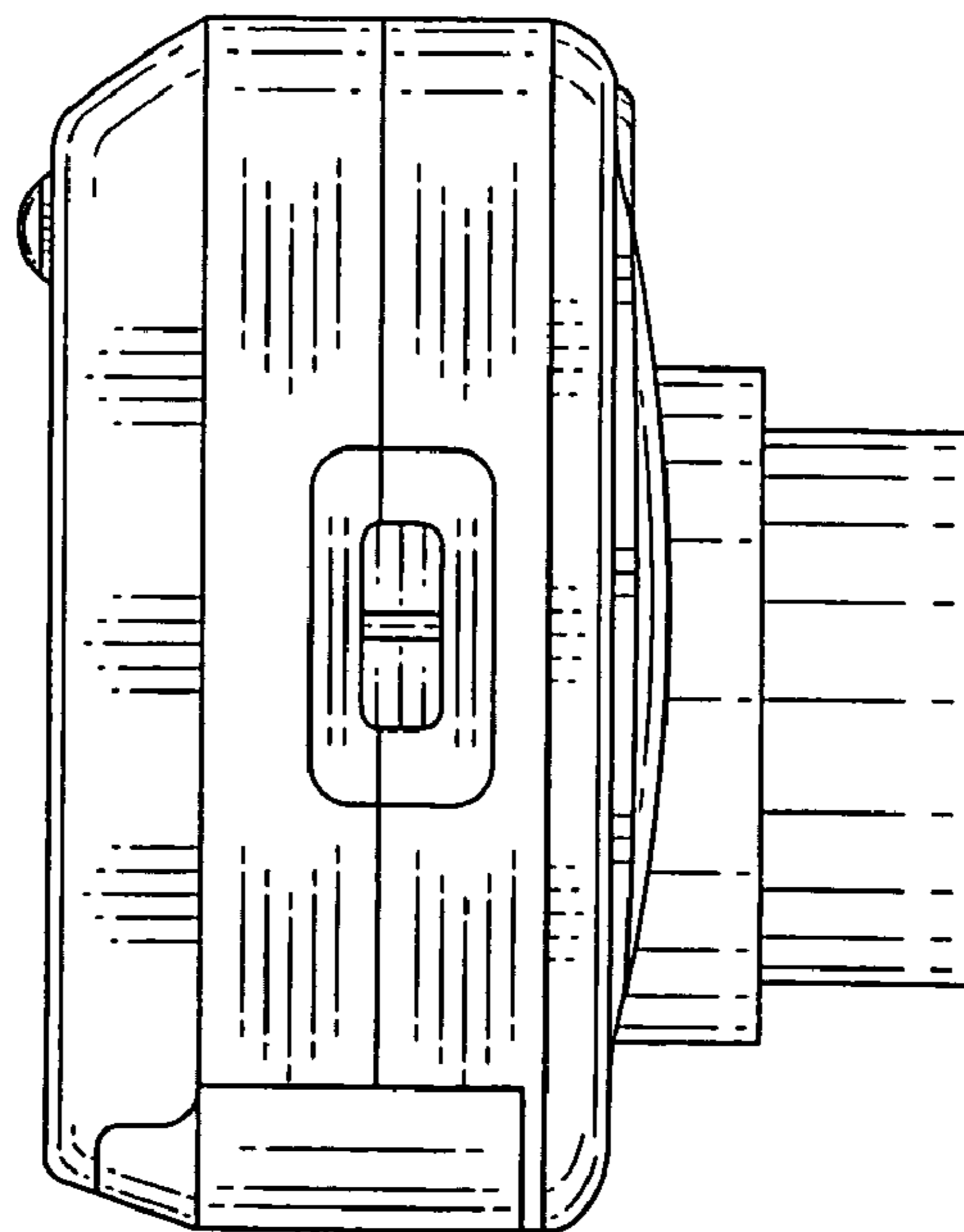


FIG. 7

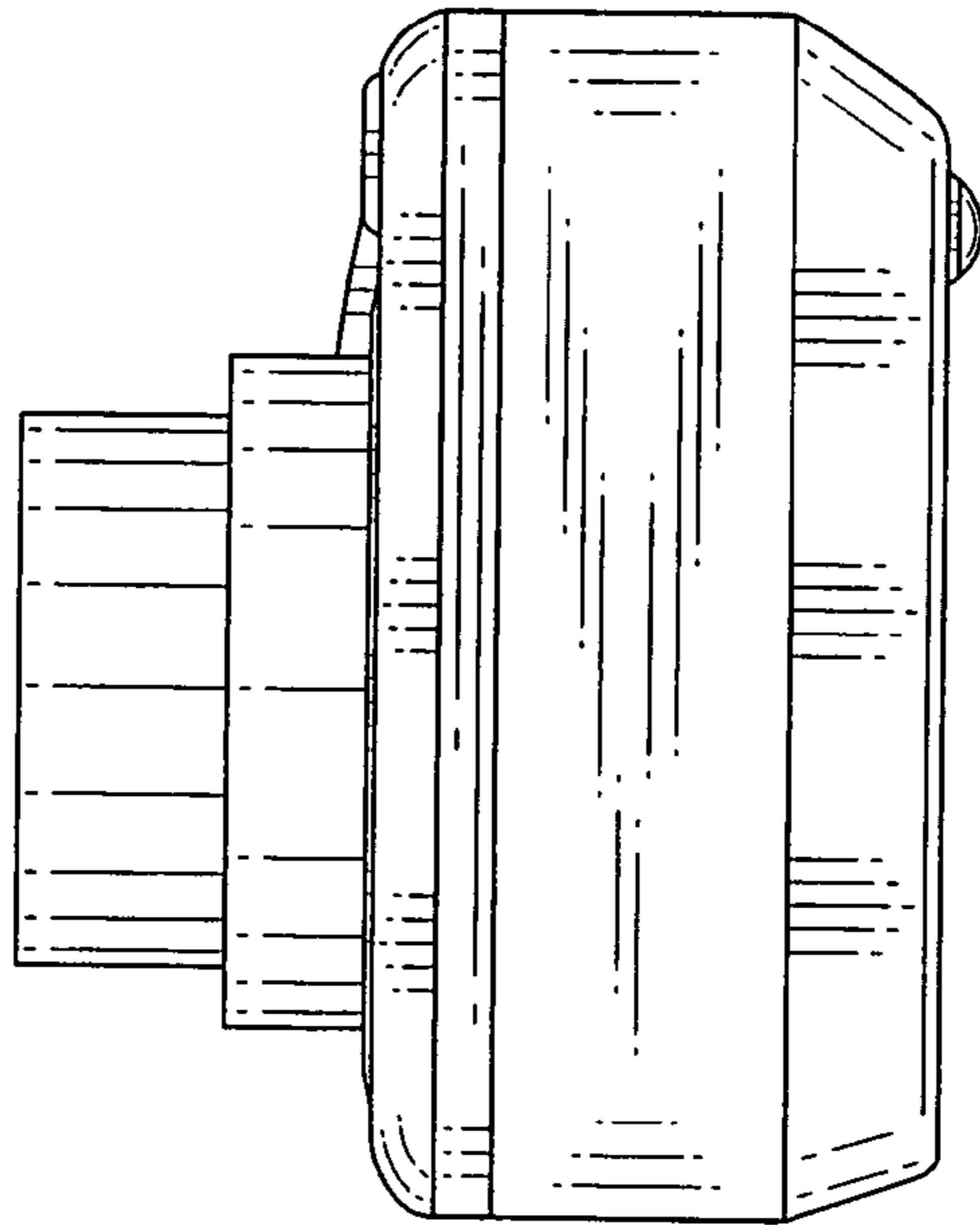


FIG. 8

