



US00D557304S

(12) **United States Design Patent**
Hayashi

(10) **Patent No.:** **US D557,304 S**

(45) **Date of Patent:** **** Dec. 11, 2007**

(54) **CAMERA**

(75) Inventor: **Haruo Hayashi**, Tokyo (JP)

(73) Assignee: **Sony Corporation**, Tokyo (JP)

(**) Term: **14 Years**

(21) Appl. No.: **29/254,902**

(22) Filed: **Mar. 2, 2006**

(30) **Foreign Application Priority Data**

Sep. 2, 2005 (JP) 2005-025486
Sep. 2, 2005 (JP) 2005-025492

(51) **LOC (8) Cl.** **16-01**

(52) **U.S. Cl.** **D16/202; D16/206**

(58) **Field of Classification Search** D16/200–206,
D16/208, 217, 218, 235, 241–245, 249–250;
348/373–376, 143, 151; 396/535–541; 358/906,
358/909.1

See application file for complete search history.

(56) **References Cited**

U.S. PATENT DOCUMENTS

D339,367 S * 9/1993 Yamamoto D16/217

(Continued)

FOREIGN PATENT DOCUMENTS

JP D1094486 10/2000

(Continued)

OTHER PUBLICATIONS

Kodak Easyshare Z740 Zoom Digital Camera <http://www.kodak.com/eknec/PageQuerier.jhtml?pq-path=9/19/131/6547&pq-to...>
May 23, 2006.

(Continued)

Primary Examiner—Ian Simmons
Assistant Examiner—Wan Laymon

(74) *Attorney, Agent, or Firm*—Oblon, Spivak, McClelland, Maier & Neustadt, P.C.

(57) **CLAIM**

The ornamental design for a camera, as shown and described.

DESCRIPTION

FIG. 1 is a front elevational view of a camera, showing my design;

FIG. 2 is a rear elevational view thereof;

FIG. 3 is a left side elevational view thereof;

FIG. 4 is a right side elevational view thereof;

FIG. 5 is a top plan view thereof;

FIG. 6 is a bottom plan view thereof;

FIG. 7 is a top and right front perspective view thereof;

FIG. 8 is a top and right front perspective view thereof, with a flash in an upright position;

FIG. 9 is a top and right front perspective view thereof, with a display in an upright position and facing toward a front of the camera;

FIG. 10 is a top and right front perspective view thereof, with a display in an upright position and facing toward a right side of the camera;

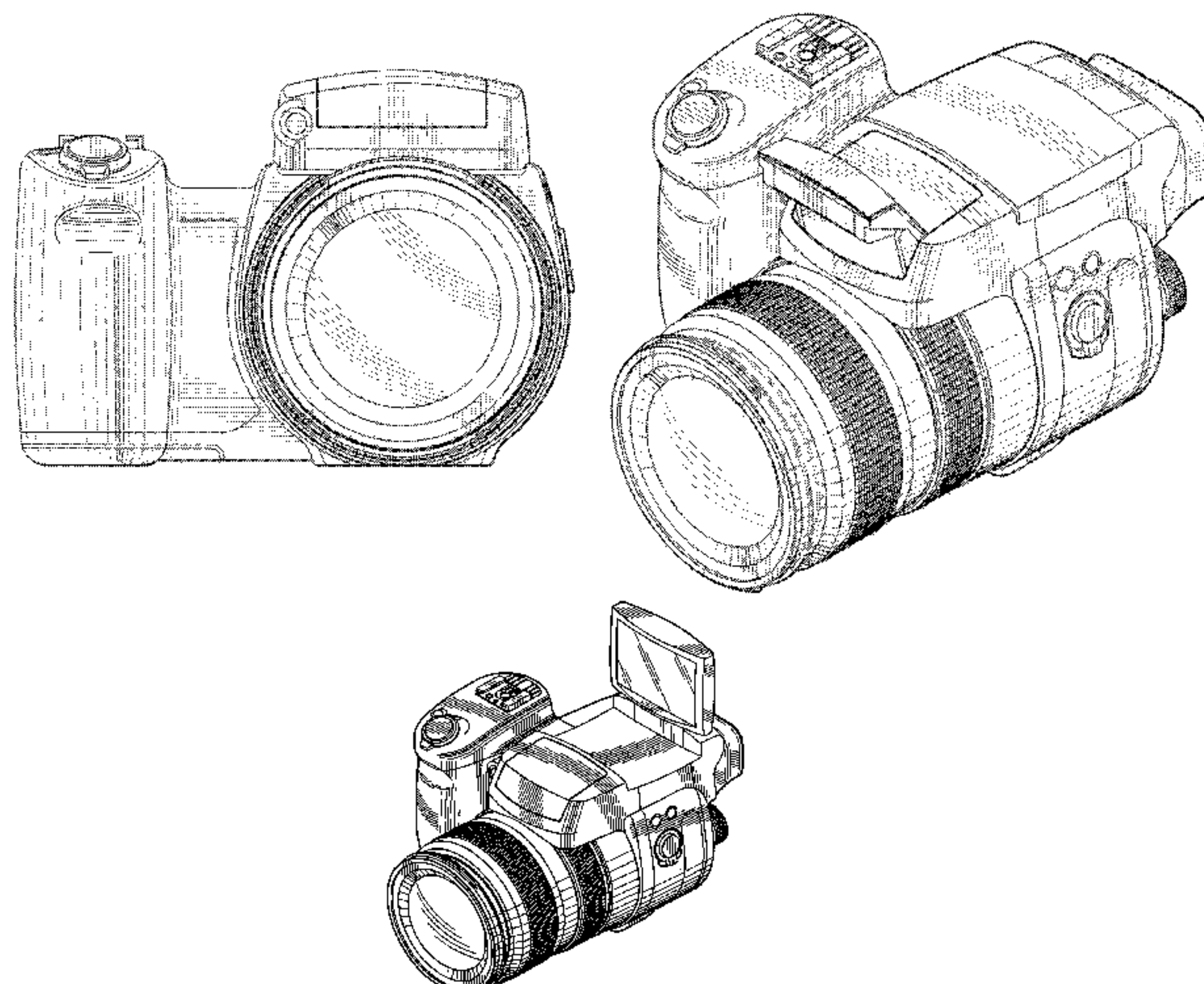
FIG. 11 is a top and right front perspective view thereof, with a display in an upright position and facing toward a rear of the camera;

FIG. 12 is a top and right front perspective view thereof, with a display in an upright position and facing toward a left side of the camera; and,

FIG. 13 is a top and right front perspective view thereof, with a display in a retracted position and facing toward a top of the camera.

The portions of the camera in broken lines are shown for illustrative purposes only and form no part of the claimed design.

1 Claim, 13 Drawing Sheets



US D557,304 S

Page 2

U.S. PATENT DOCUMENTS

D356,102 S * 3/1995 Haga D16/217
D388,110 S * 12/1997 Watarai et al. D16/200
D404,051 S * 1/1999 Ishii D16/219
D444,161 S * 6/2001 Nakamura D16/202
D456,433 S * 4/2002 Ito D16/202
D467,951 S * 12/2002 Tanaka D16/202
D474,796 S * 5/2003 Matsuda D16/217
D486,168 S * 2/2004 Nakamura D16/202
D486,508 S * 2/2004 Shimobayashi D16/202
D487,105 S * 2/2004 Takahashi D16/217
D493,809 S * 8/2004 Ogura D16/202
D497,173 S * 10/2004 Ogura D16/202
D497,174 S * 10/2004 Omino et al. D16/217
D500,068 S * 12/2004 Hayashi D16/202
D506,492 S * 6/2005 Miyashita
D511,351 S * 11/2005 Yatabe D16/202
D514,610 S * 2/2006 Urushihata D16/202

FOREIGN PATENT DOCUMENTS

JP D1099889 12/2000
JP D1179362 5/2003
JP D1230104 12/2004
JP D1232705 1/2005

OTHER PUBLICATIONS

OLYMPUS Digital Imaging (Cameras) <http://www.olympus.co.jp/en/imsd/digicamera/> May 23, 2006.
EX-P505—Exilim Pro—Cameras—Products—CASIO http://www.casio.com/products/Cameras/Exilim_/EX-P505/ May 23, 2006.
Nikon Imaging | COOLPIX 8800 <http://nikonimaging.com/global/products/digitalcamera/coolpix/8800/index.htm> May 23, 2006.
Names of Parts | Konica Minolta http://ca.konicaminolta.com/products/consumer/digital_camera/dimage/dimage-... May 23, 2006.

* cited by examiner

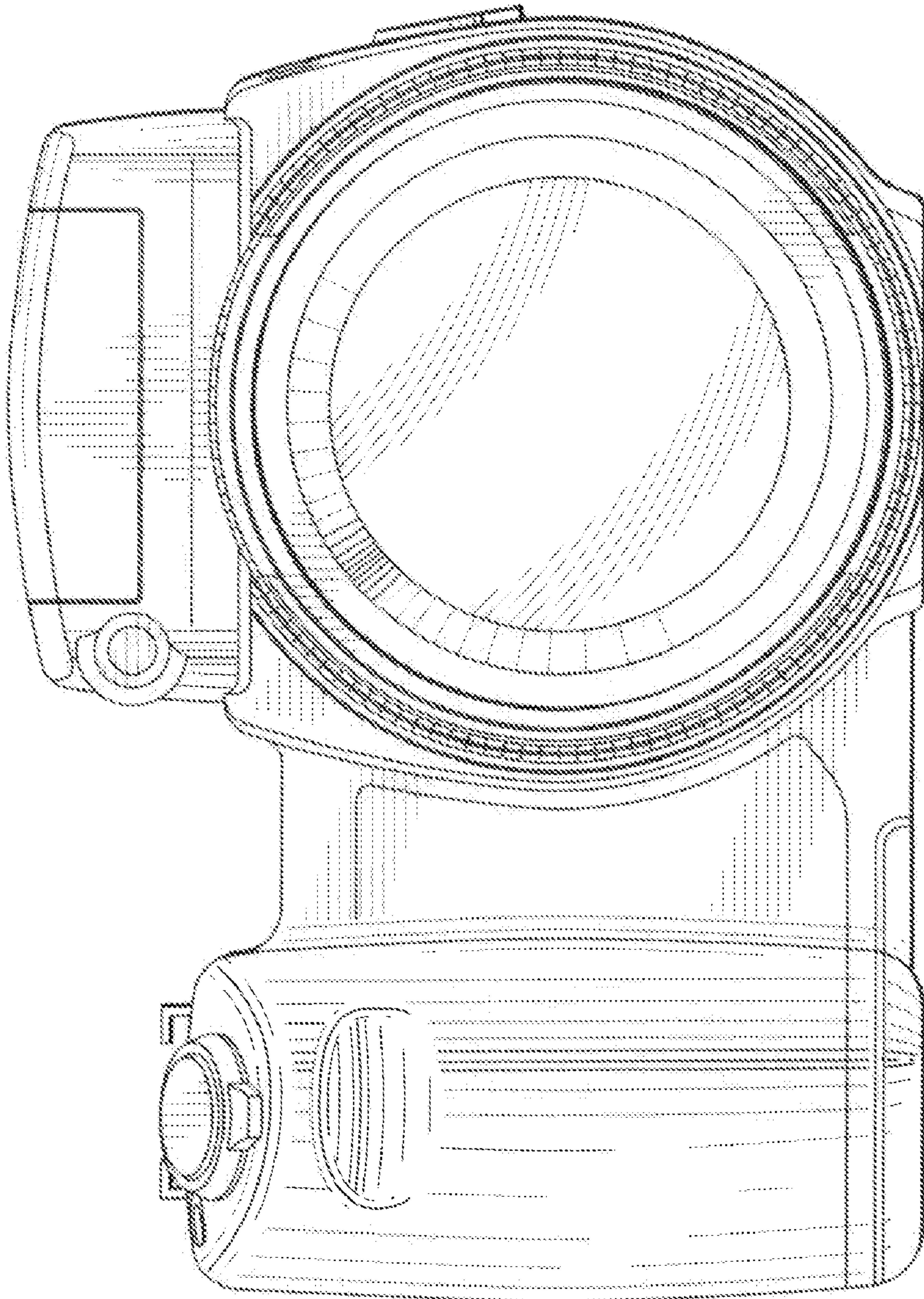


Fig. 1

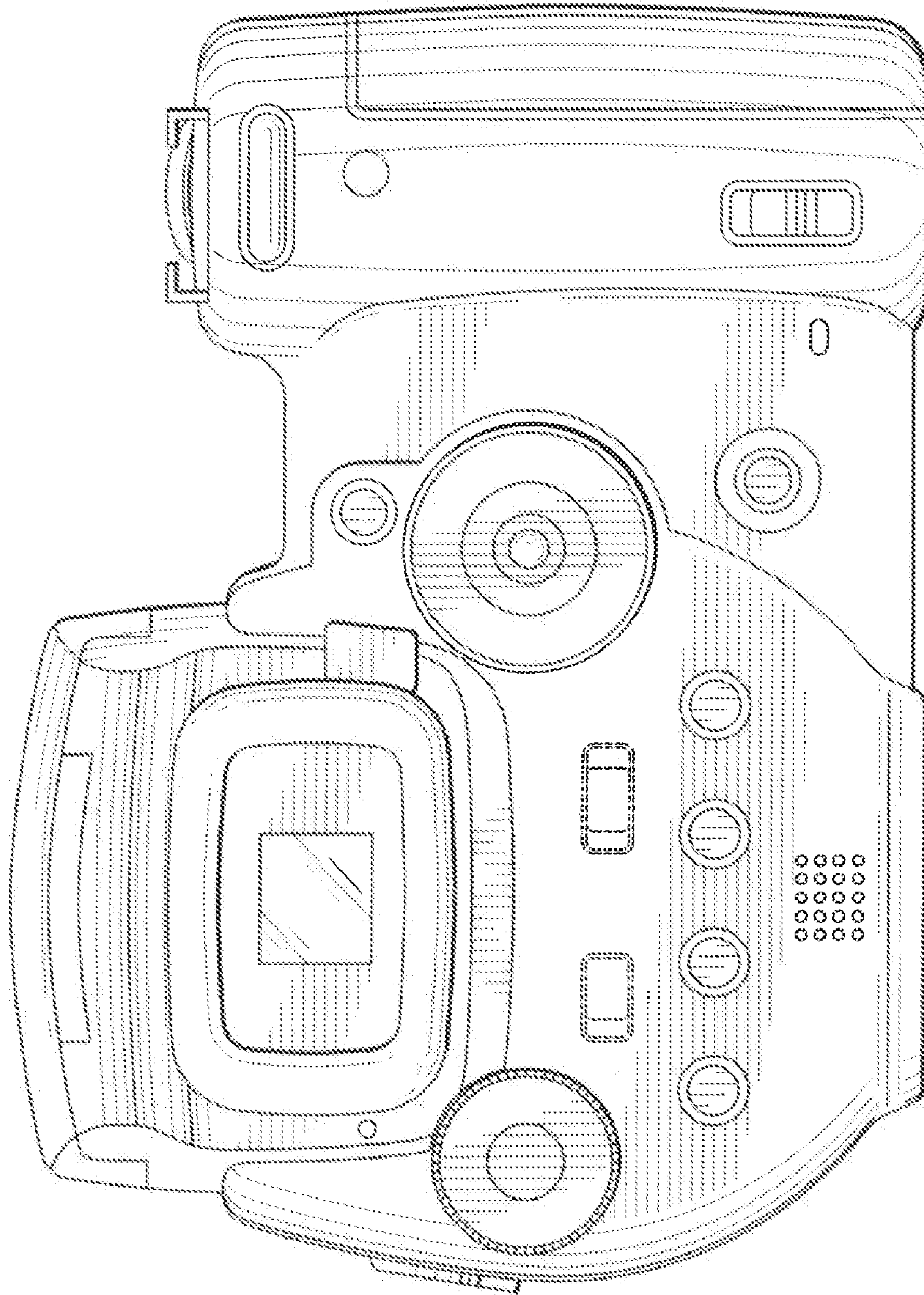


Fig. 2

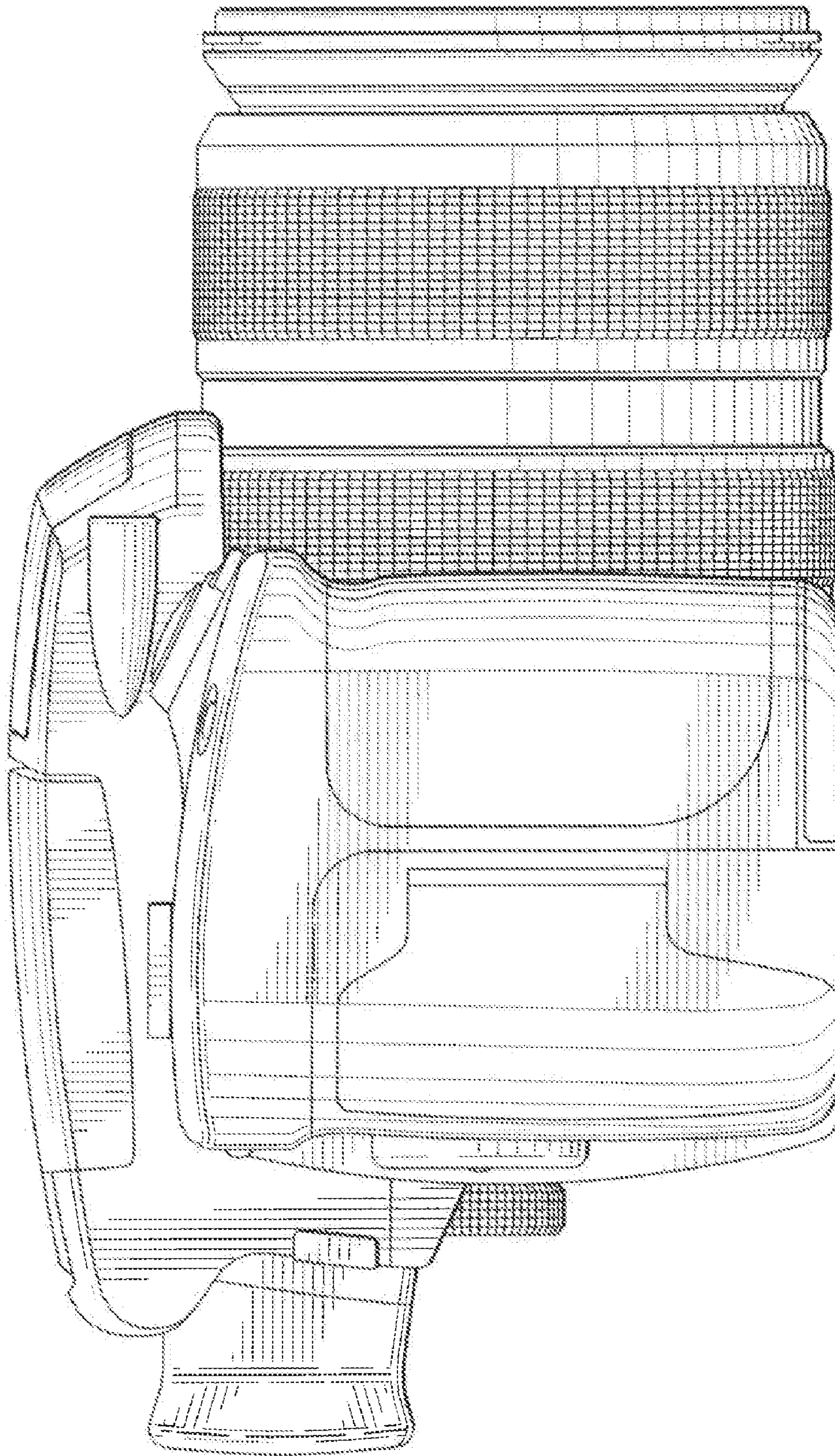


Fig. 3

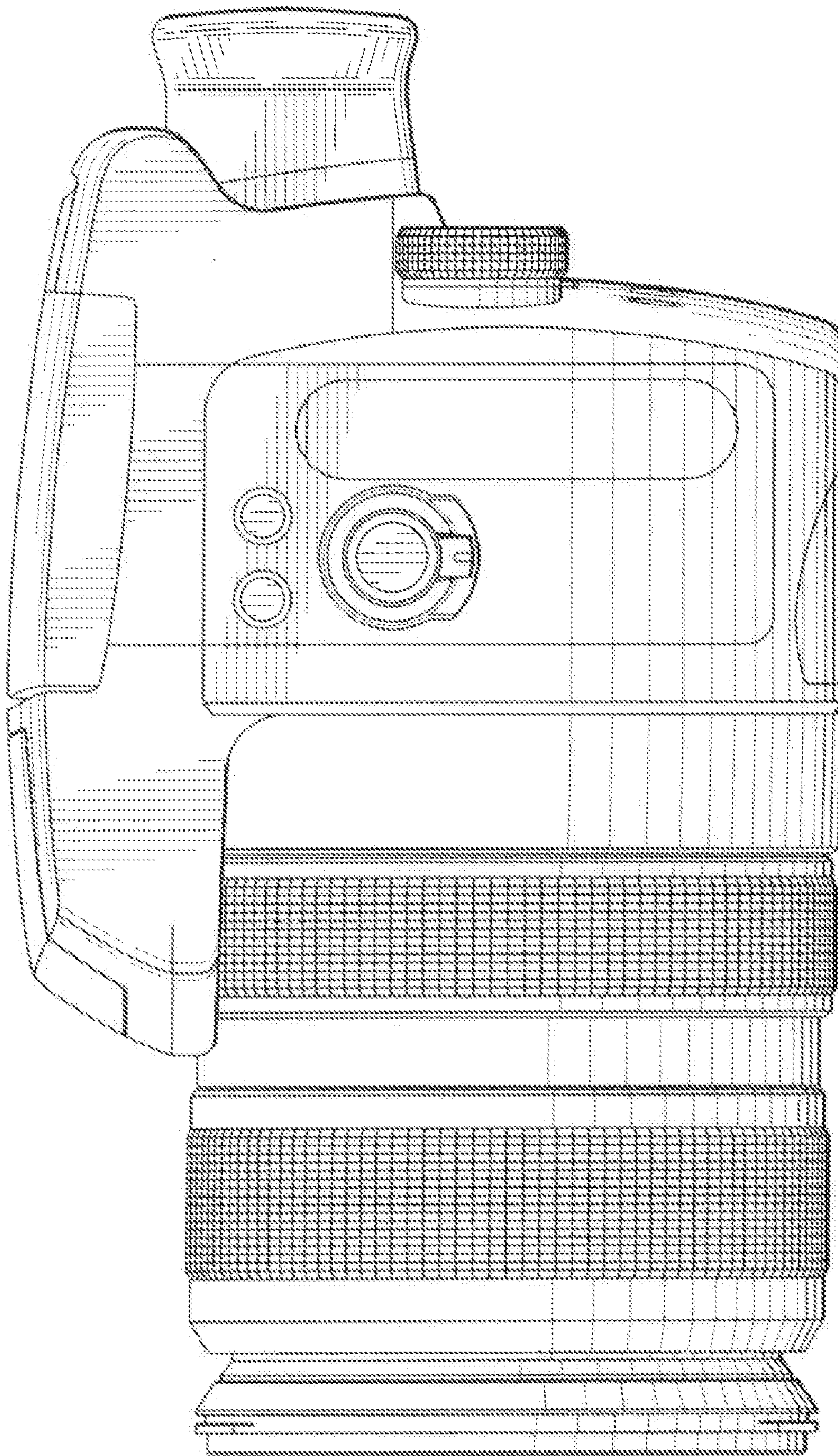


Fig. 4

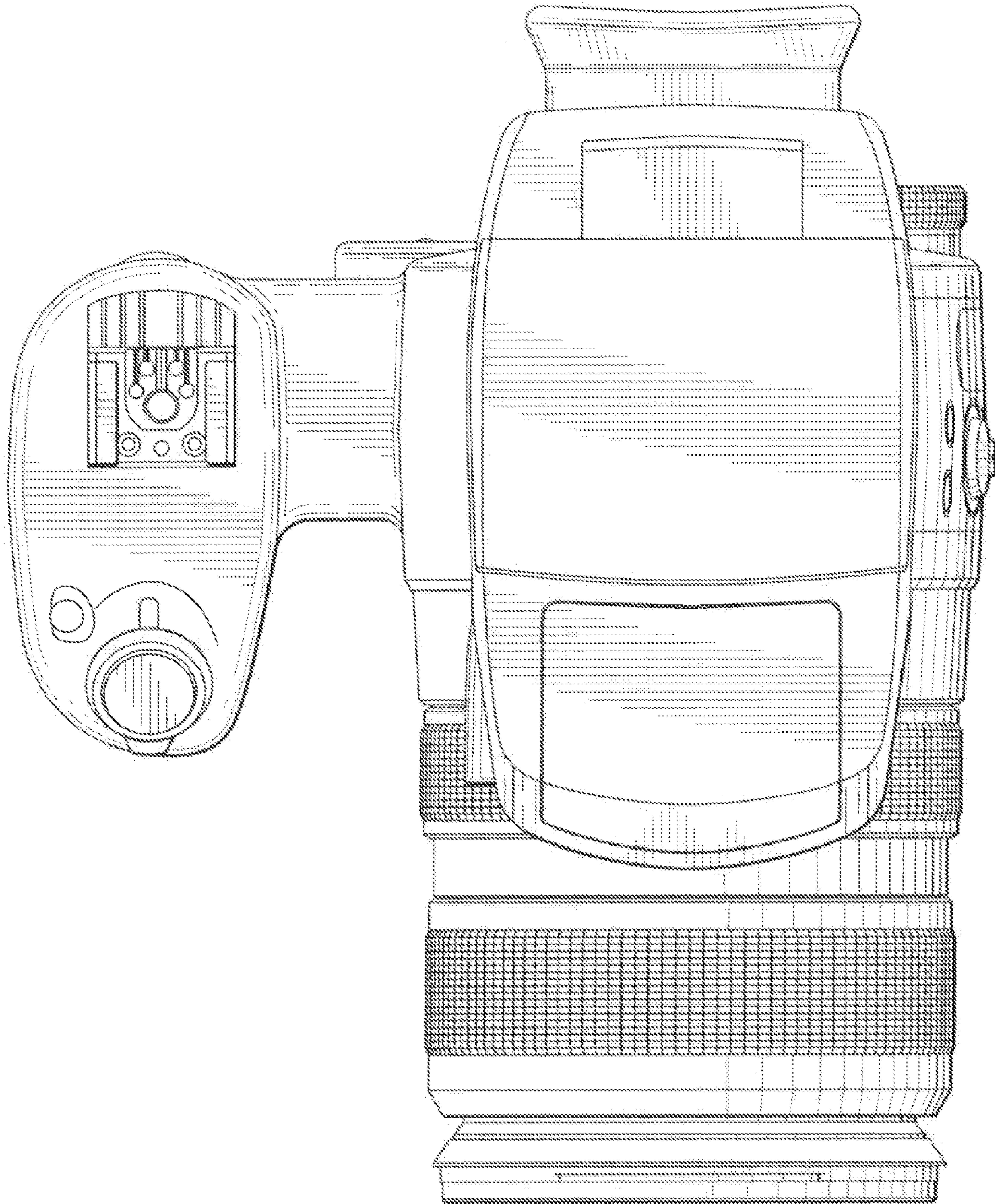


Fig. 5

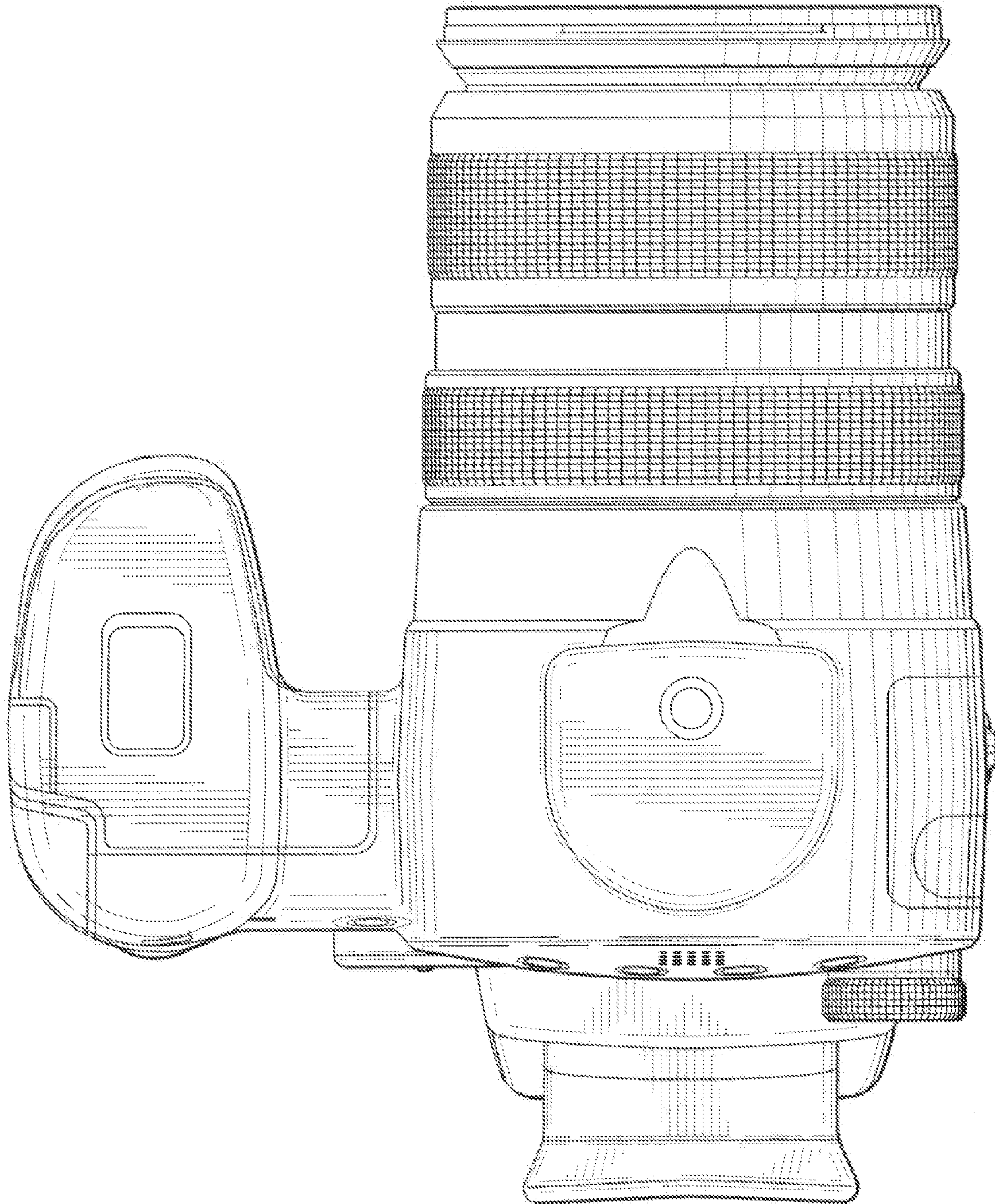


Fig. 6

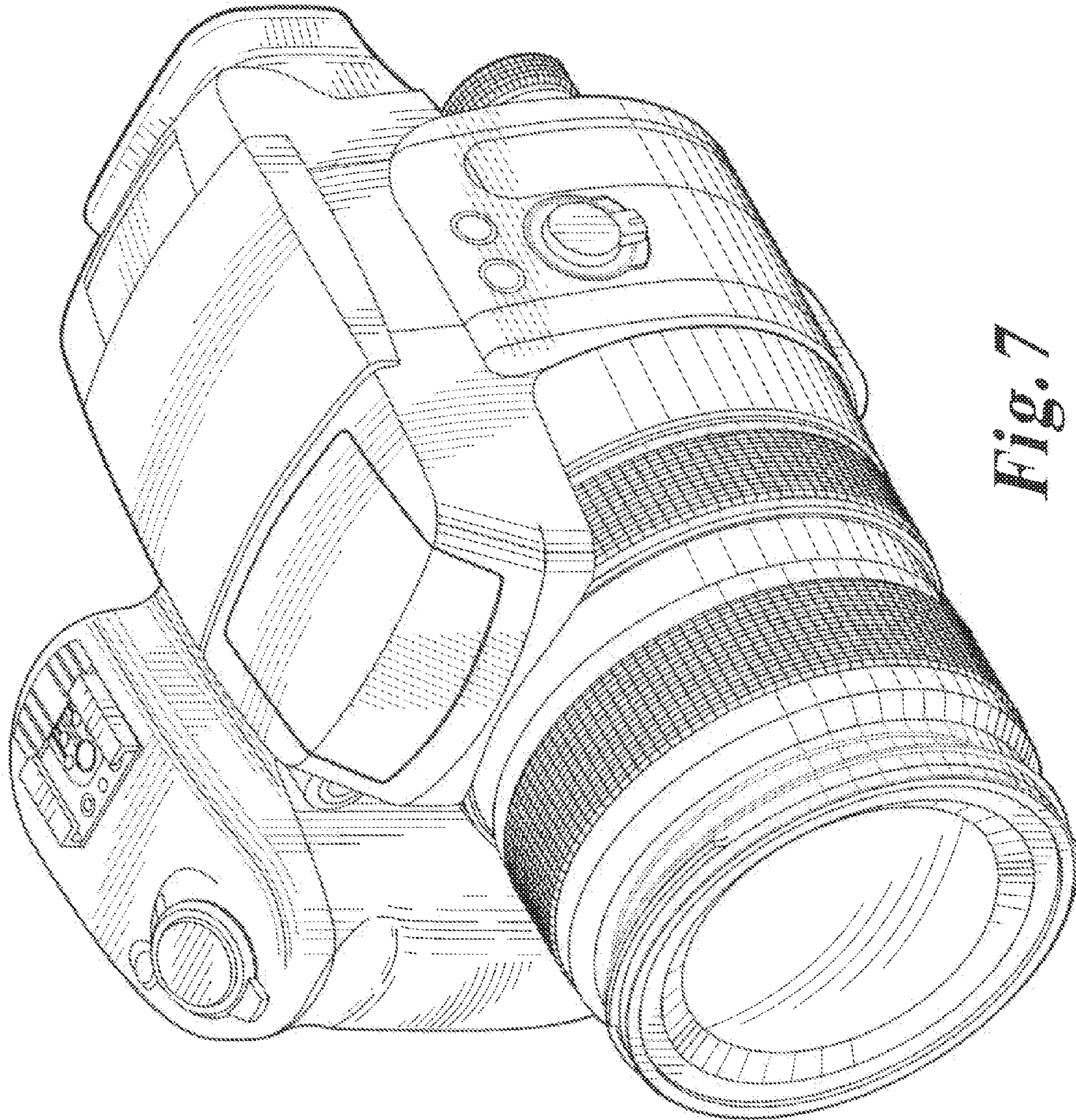


Fig. 7

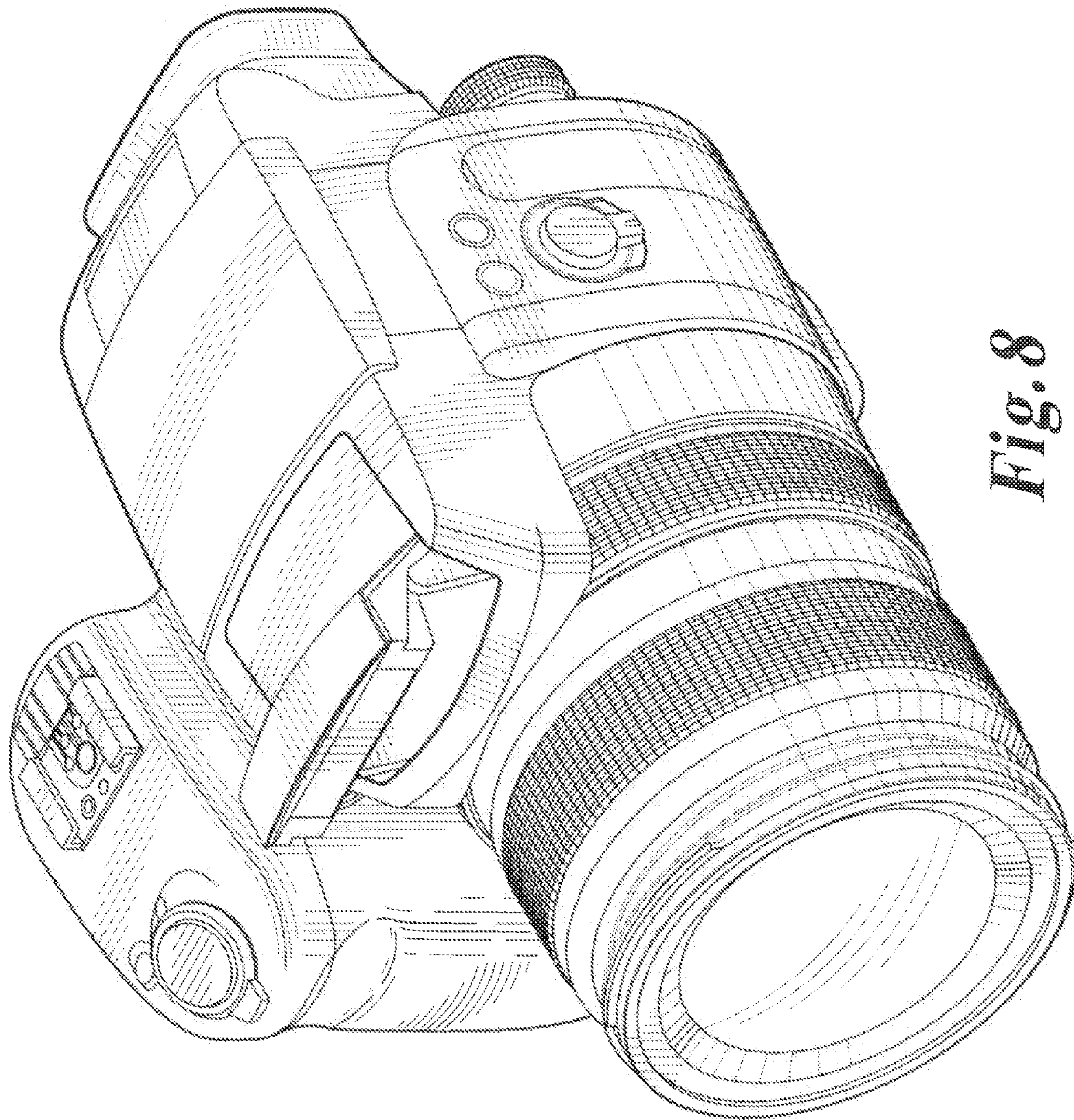


Fig. 8

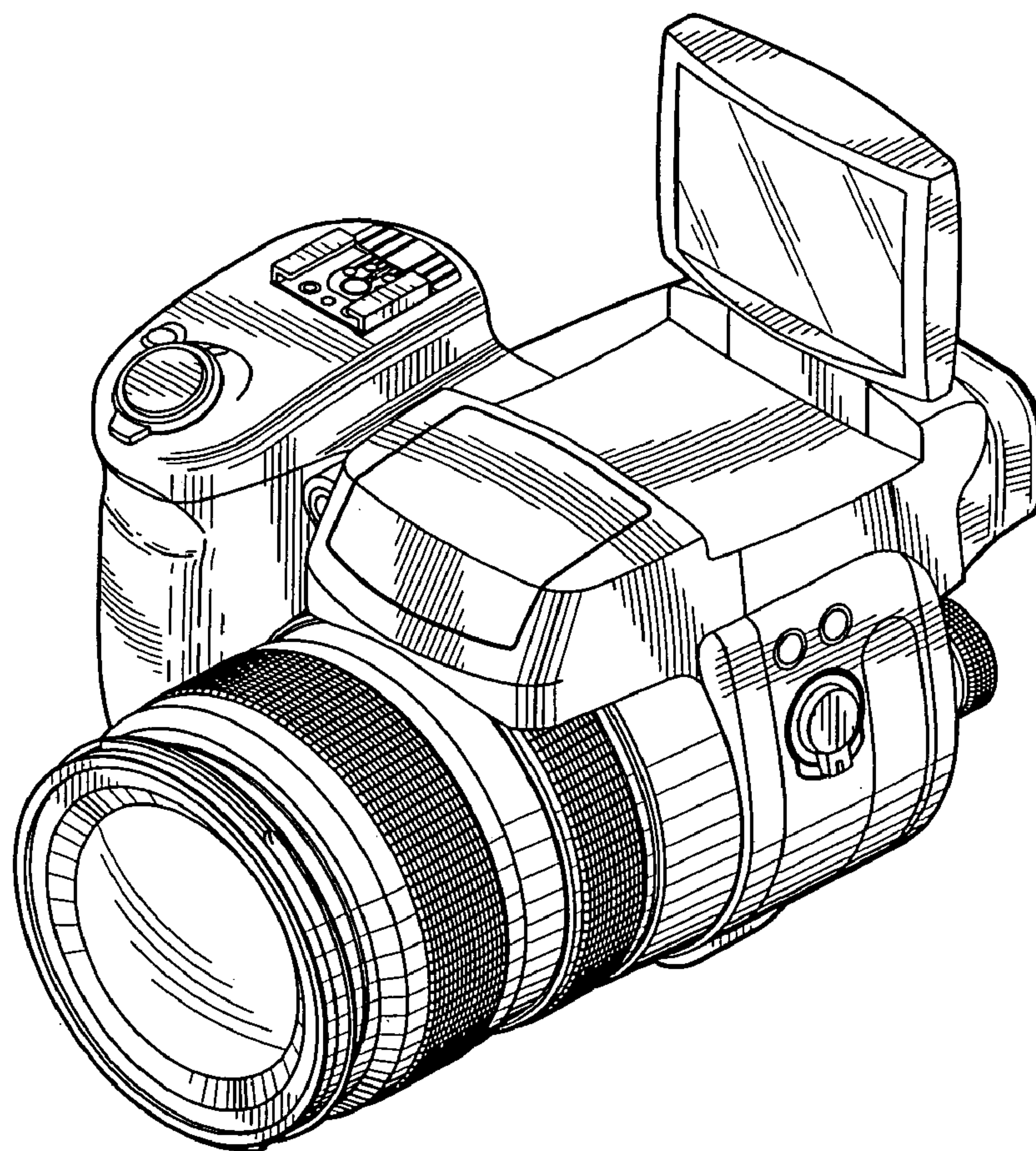


Fig. 9

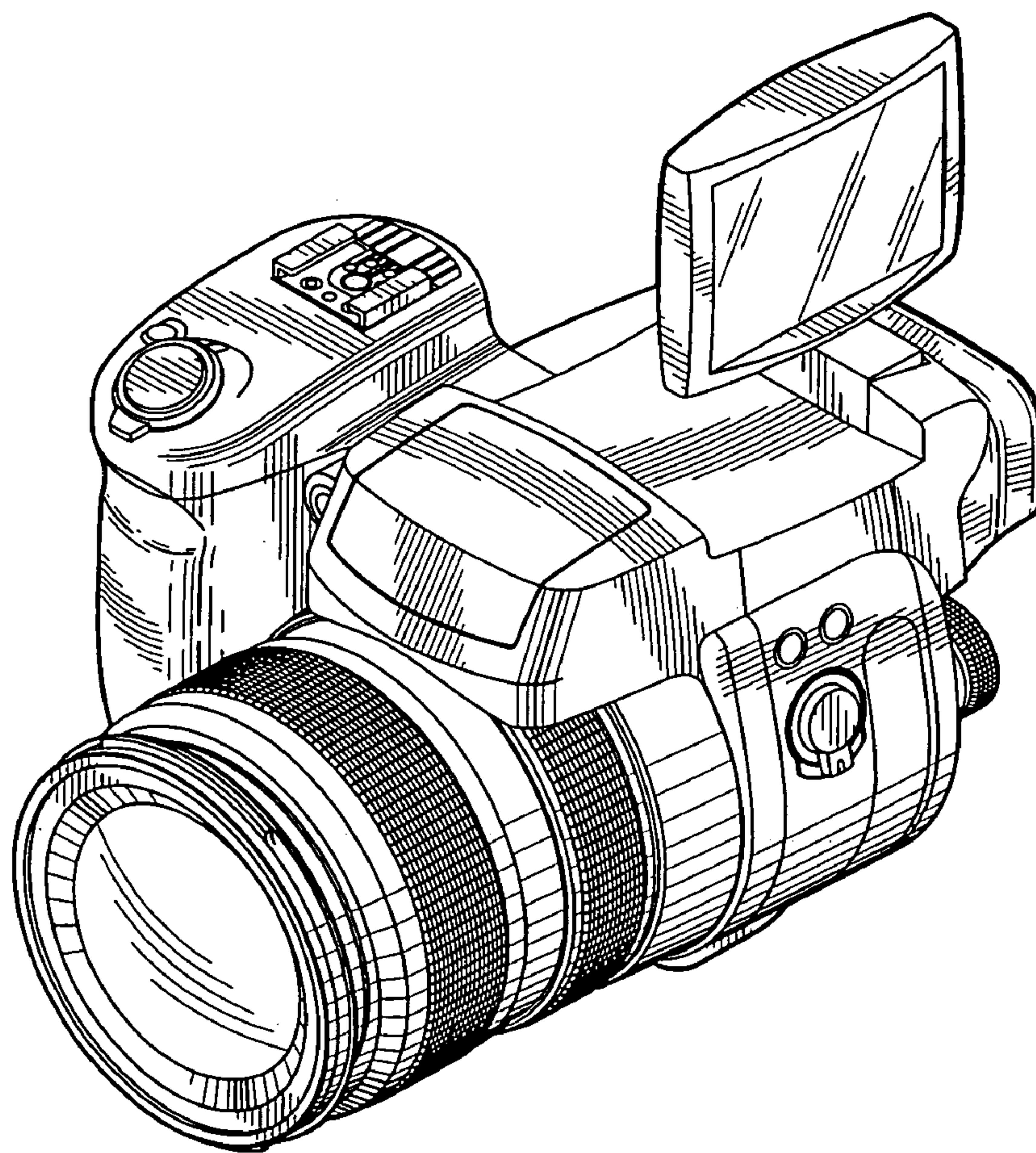


Fig. 10

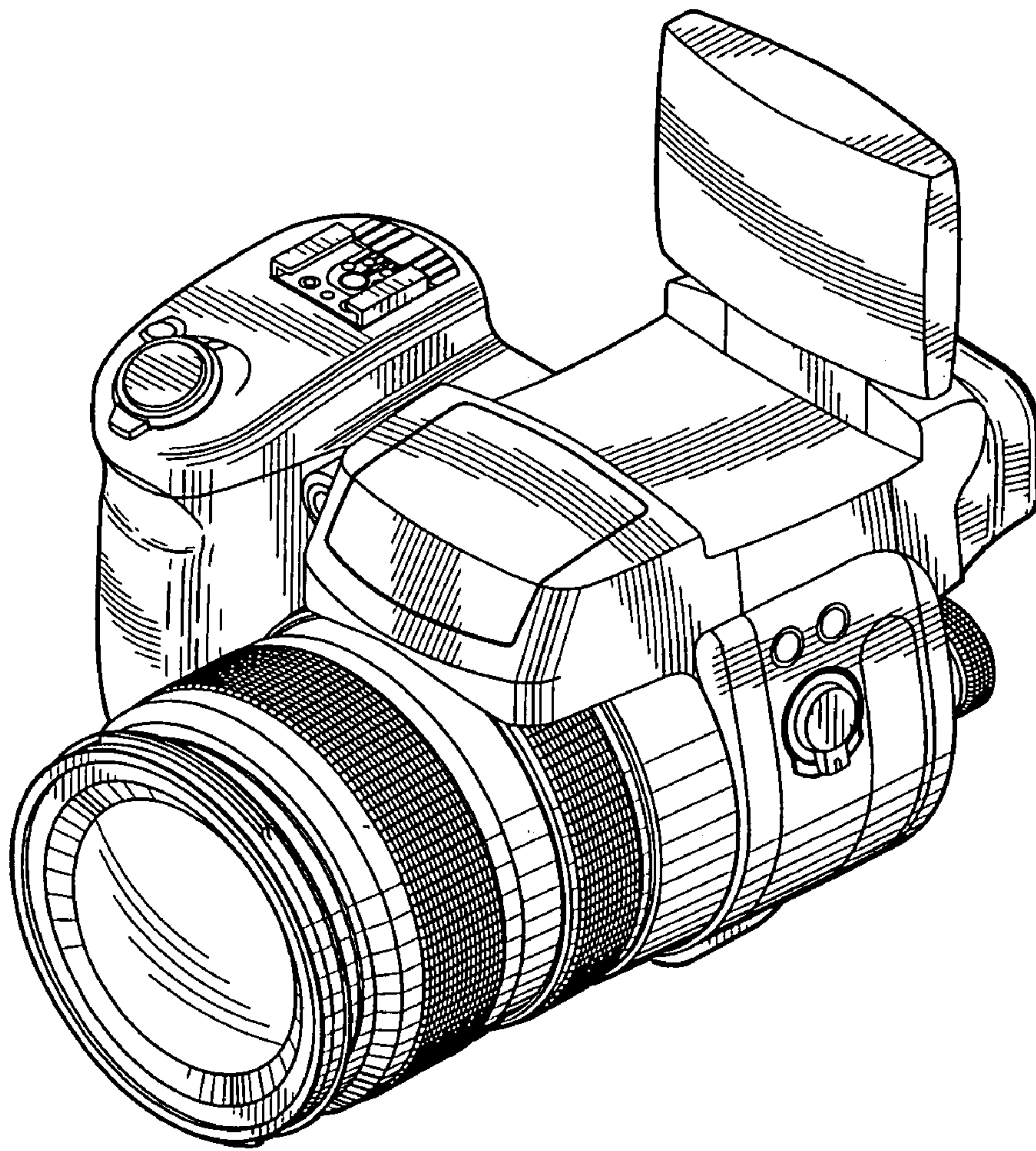


Fig. 11

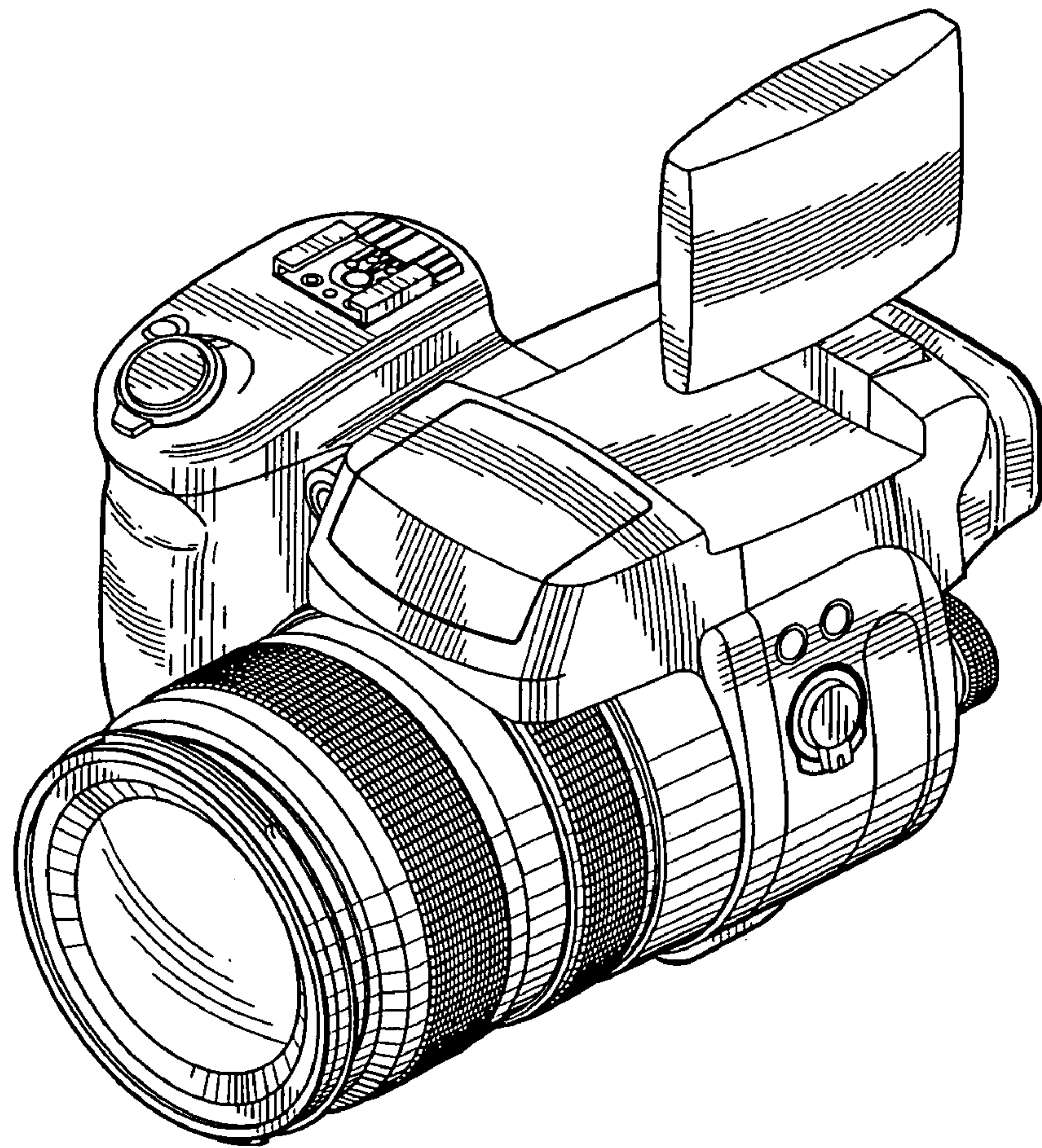


Fig. 12

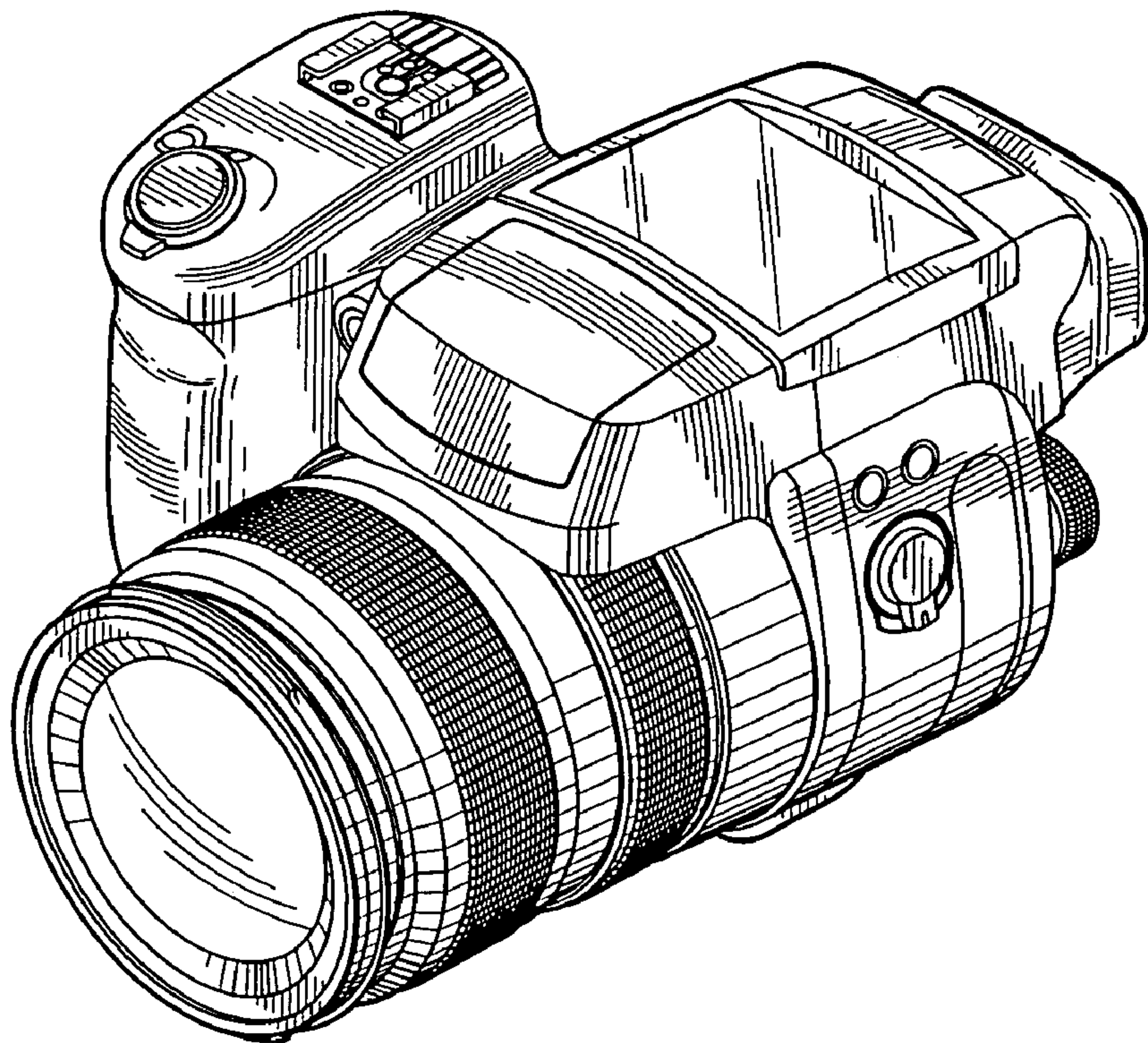


Fig. 13