

US00D557303S

(12) **United States Design Patent** (10) **Patent No.:** **US D557,303 S**
Inaba (45) **Date of Patent:** **** Dec. 11, 2007**

(54) **DIGITAL CAMERA**

(75) Inventor: **Toshiya Inaba**, Tokyo (JP)

(73) Assignee: **PENTAX Corporation**, Tokyo (JP)

(**) Term: **14 Years**

(21) Appl. No.: **29/254,333**

(22) Filed: **Feb. 23, 2006**

(30) **Foreign Application Priority Data**

Aug. 25, 2005 (JP) 2005-024547

(51) **LOC (8) Cl.** **16-01**

(52) **U.S. Cl.** **D16/202**

(58) **Field of Classification Search** D16/200–206,
D16/208–209, 218–219, 243; 348/373–376;
358/906, 909.1; 396/6, 535–541
See application file for complete search history.

(56) **References Cited**

U.S. PATENT DOCUMENTS

D438,228 S *	2/2001	Hamamura	D16/209
6,233,403 B1 *	5/2001	Aratame et al.	396/6
D463,470 S *	9/2002	Tse	D16/202
D475,384 S *	6/2003	Tanaka	D16/202
D479,547 S *	9/2003	Nagayama	D16/202
D482,054 S *	11/2003	Nasu	D16/202
D487,283 S *	3/2004	Watanabe	D16/202
D496,380 S *	9/2004	Isomoto	D16/202
D505,967 S *	6/2005	Ko et al.	D16/218

OTHER PUBLICATIONS

Kind of telephone communication line: Internet; confirmed date of publication: Jun. 7, 2005; Date of receipt: Jun. 17, 2005 received by Design department of Patent office; Publisher: PENTAX Corporation; Title: PENTAX News Release 2005 Compact type digital

camera “PENTAX Optio S5z”; Address of the published page: Digital camera shown in the URL: <http://www.pentax.co.jp/japan/news/2005/200523.html>; Document number of trademark and design section in JP Patent Office is HJ17002448.

U.S. Appl. No. 29/254,331, filed Feb. 23, 2006, Toshiya Inaba.
U.S. Appl. No. 29/270,762, filed Jan. 4, 2007, Tetsuji Kuroda.

* cited by examiner

Primary Examiner—Ian Simmons

Assistant Examiner—Wan Laymon

(74) *Attorney, Agent, or Firm*—Sughrue Mion, PLLC

(57) **CLAIM**

The ornamental design for a digital camera, as shown and described.

DESCRIPTION

FIG. 1 is a perspective view of the top, front and right side of a digital camera showing my new design;

FIG. 2 is a perspective view of the top, rear and left side thereof;

FIG. 3 is a top plan view thereof;

FIG. 4 is a front elevational view thereof;

FIG. 5 is a left side elevational view thereof;

FIG. 6 is a right side elevational view thereof;

FIG. 7 is a rear elevational view thereof;

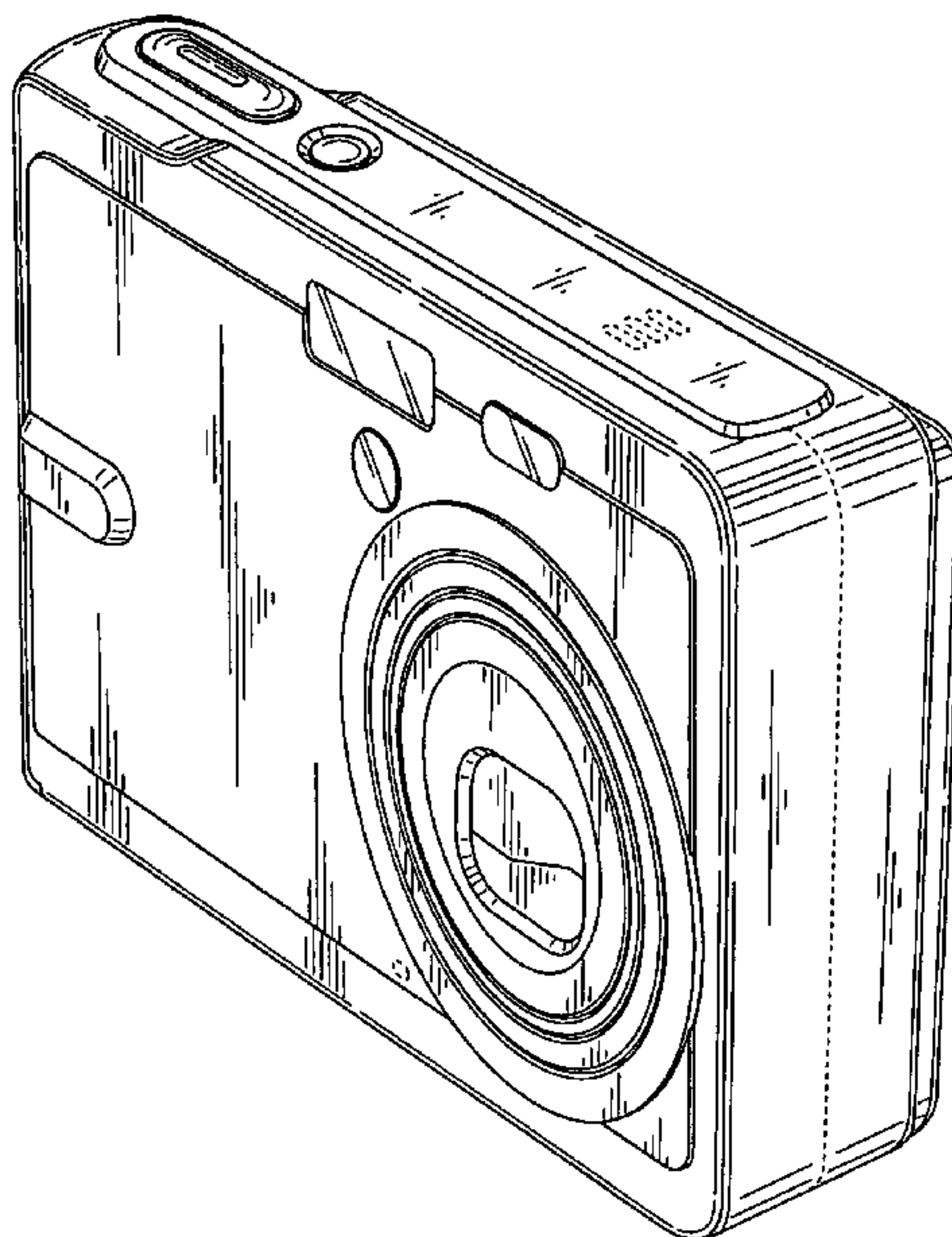
FIG. 8 is a bottom plan view thereof;

FIG. 9 is a front elevational view thereof showing the lens in an opened position; and,

FIG. 10 is a right side elevational view thereof showing the lens in an extended position.

The portions shown in broken lines are for illustrative purposes only and form no part of the claimed design.

1 Claim, 7 Drawing Sheets



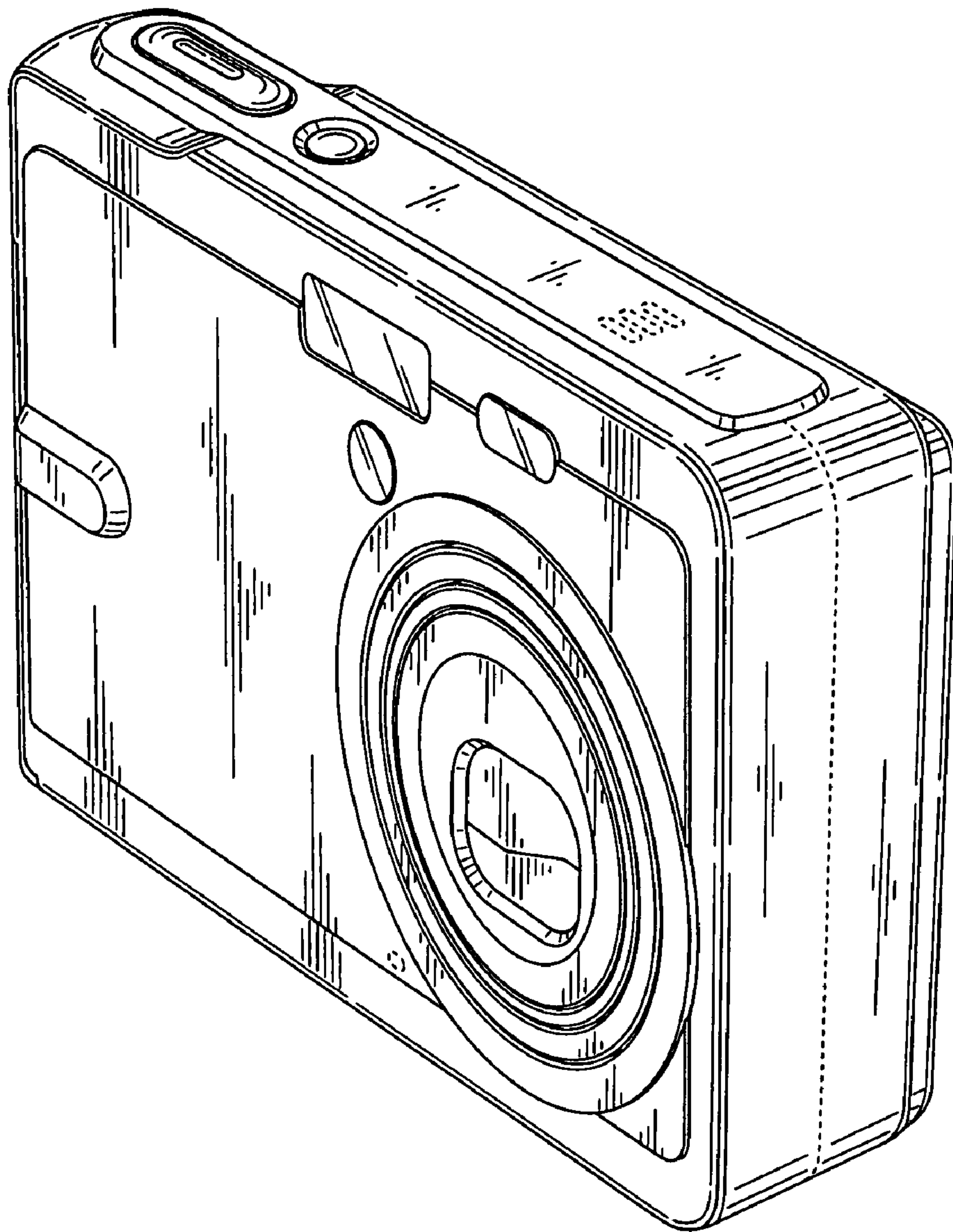


FIG. 1

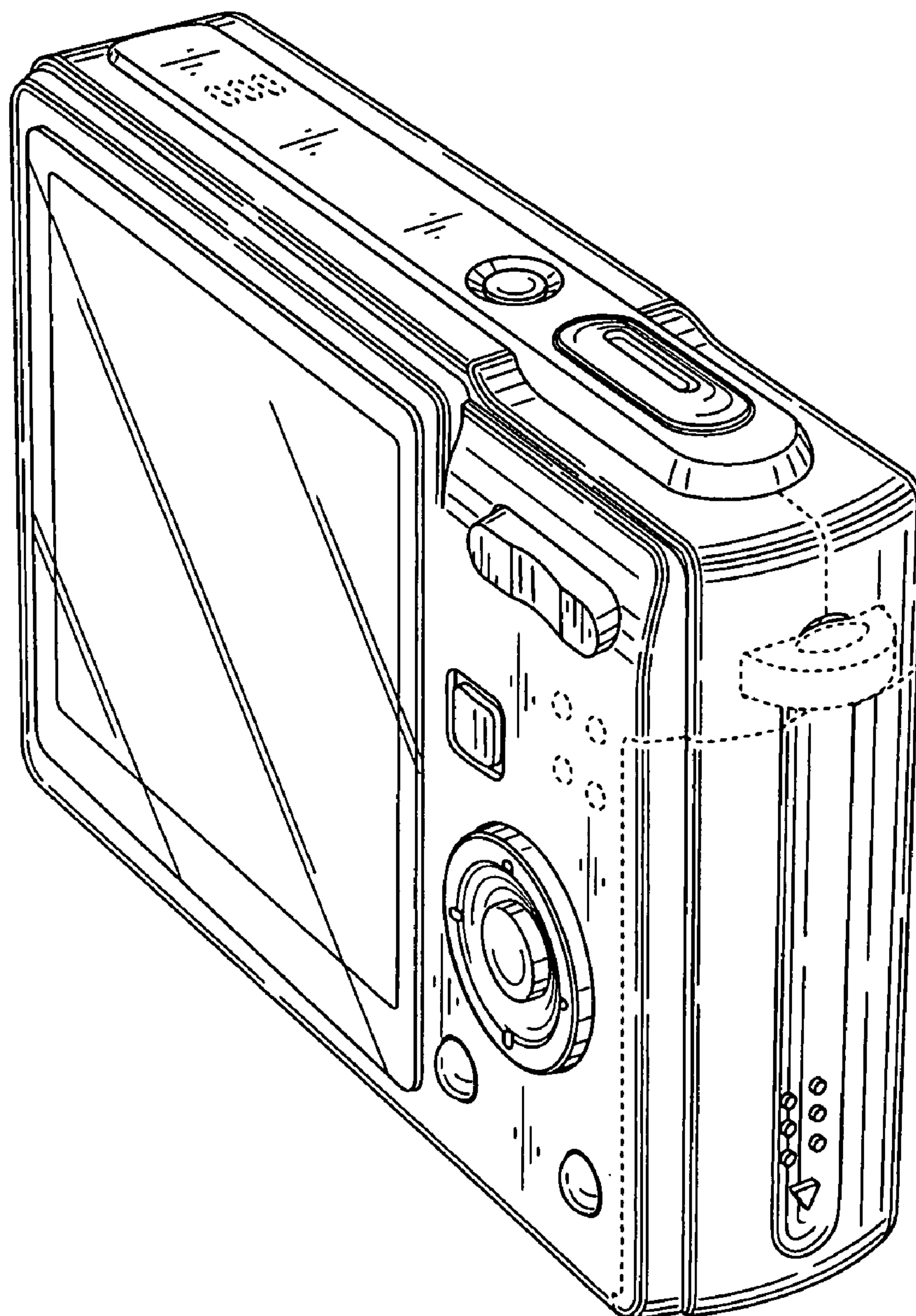


FIG. 2

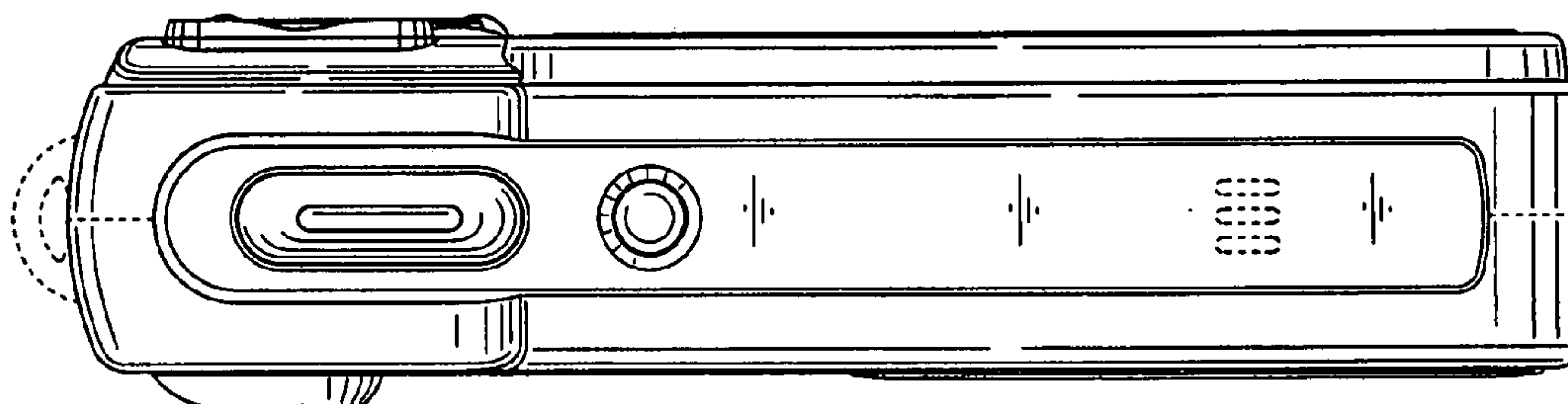


FIG. 3

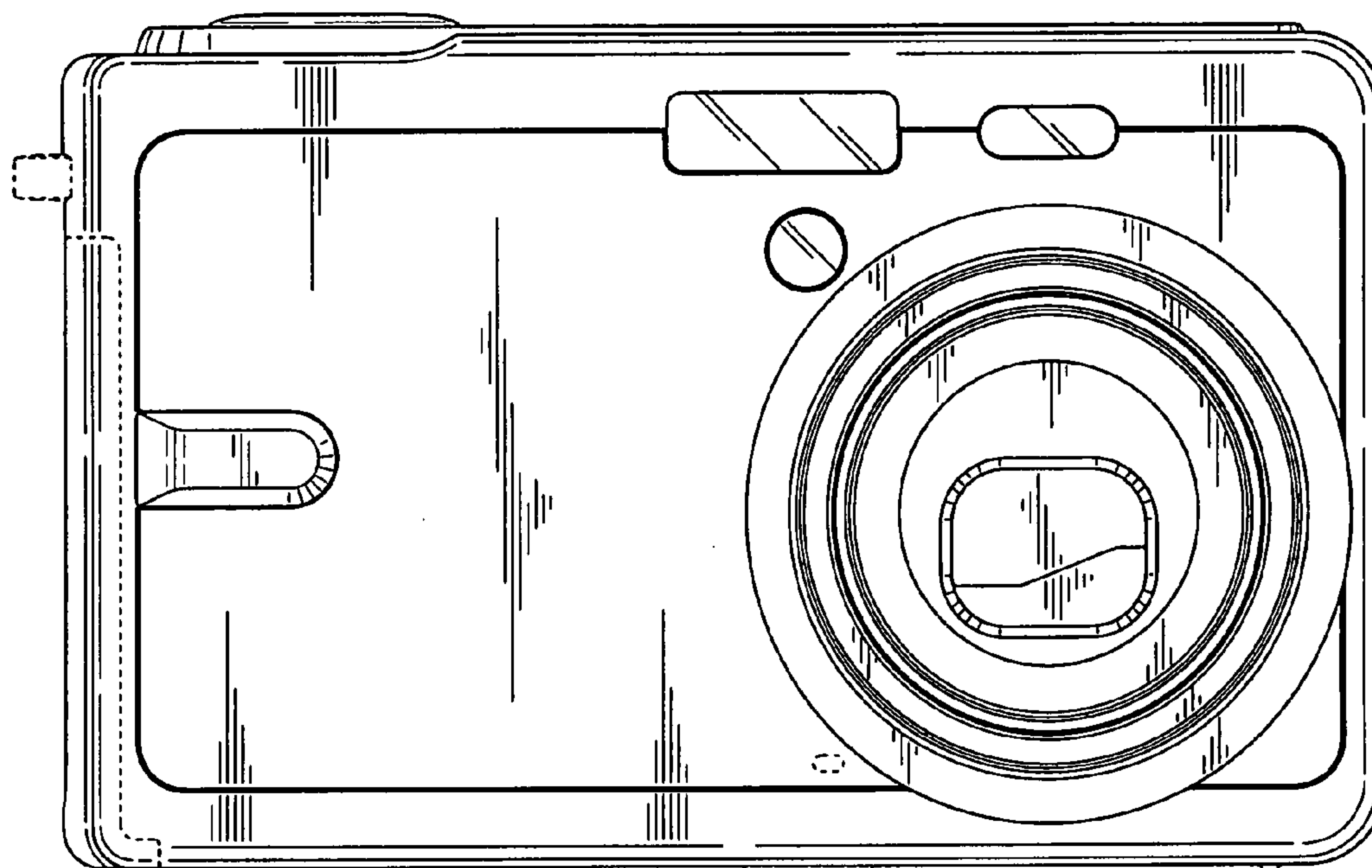


FIG. 4

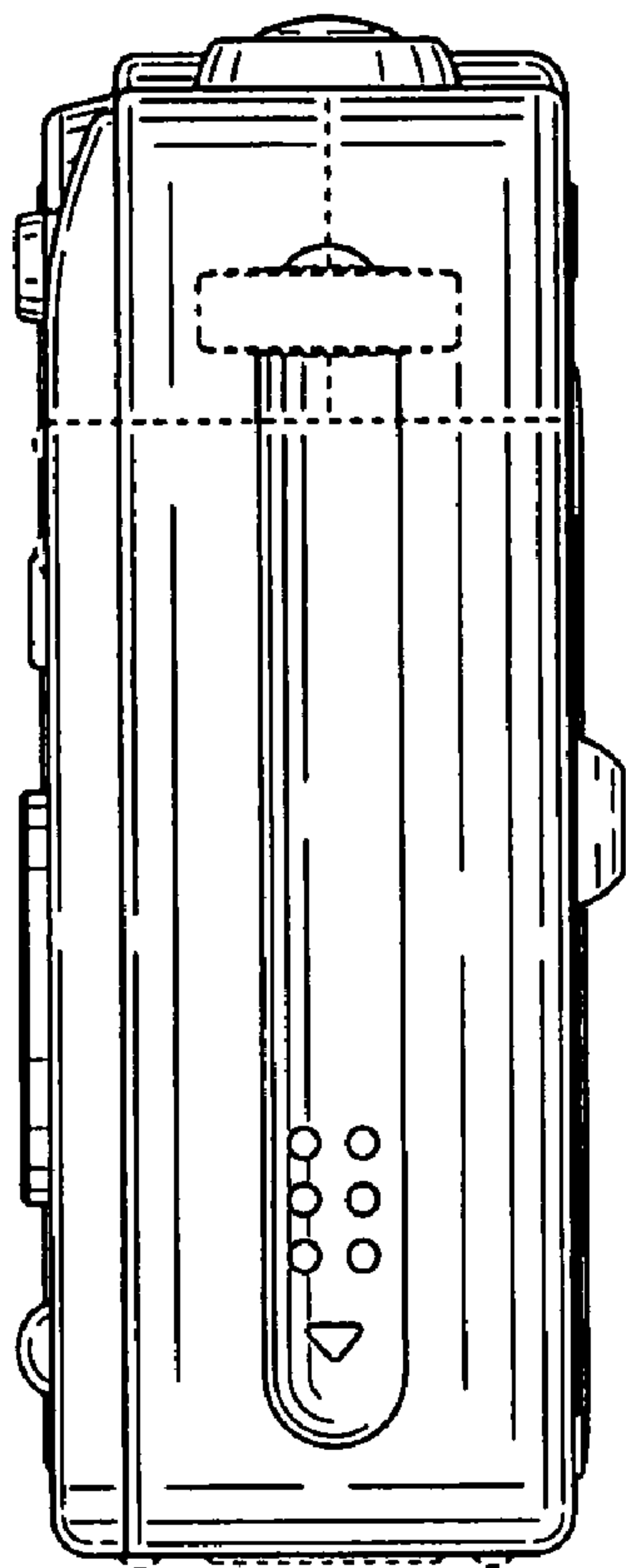


FIG. 5

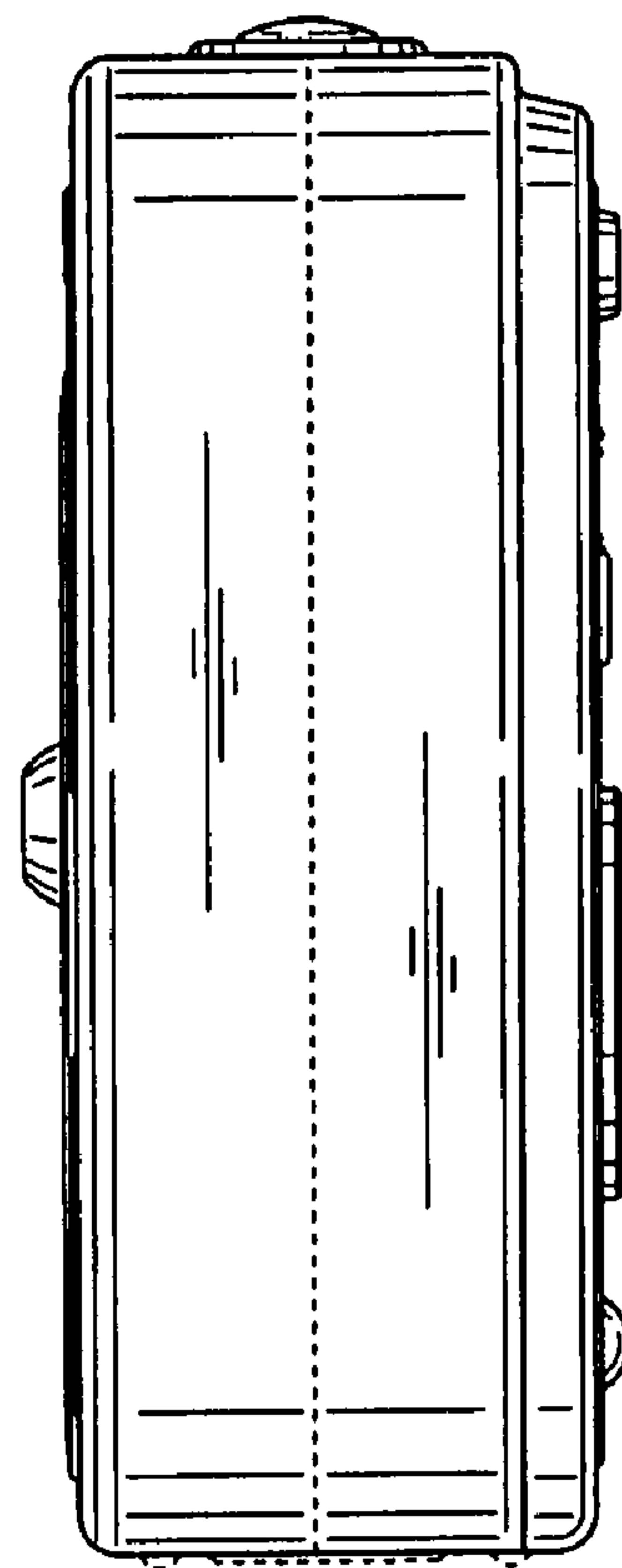


FIG. 6

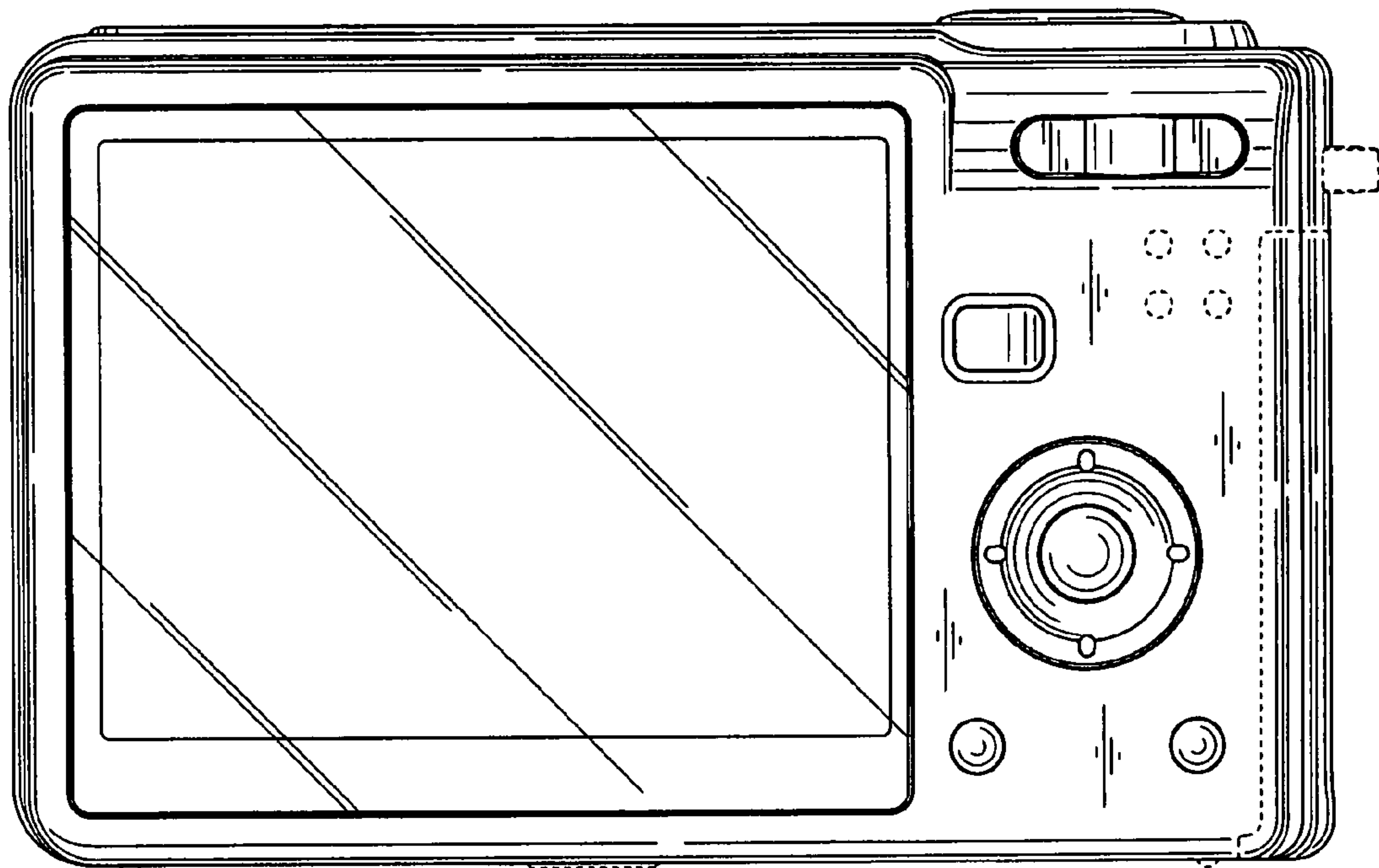


FIG. 7

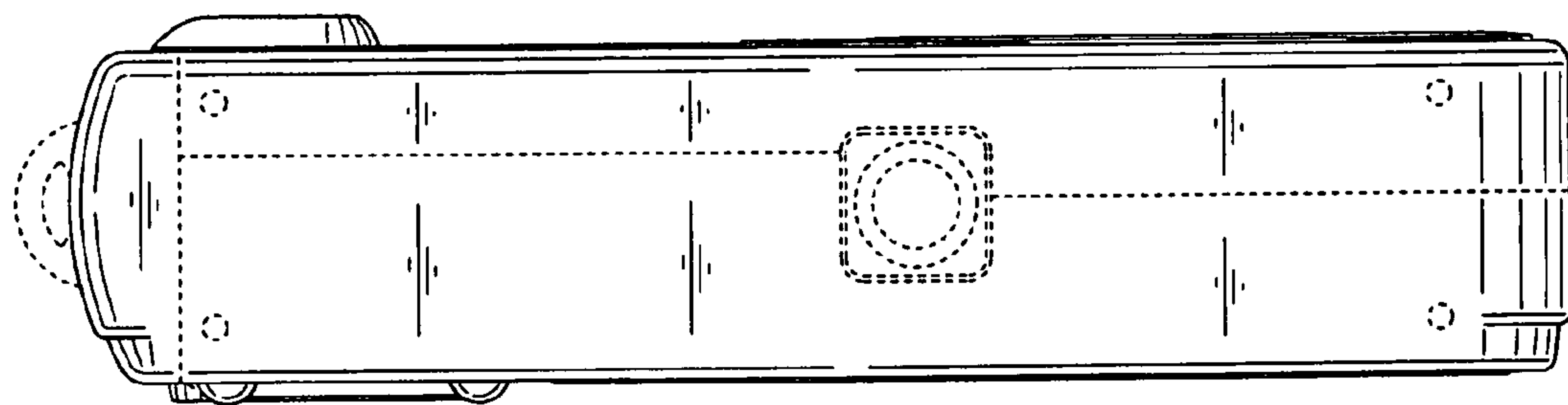


FIG. 8

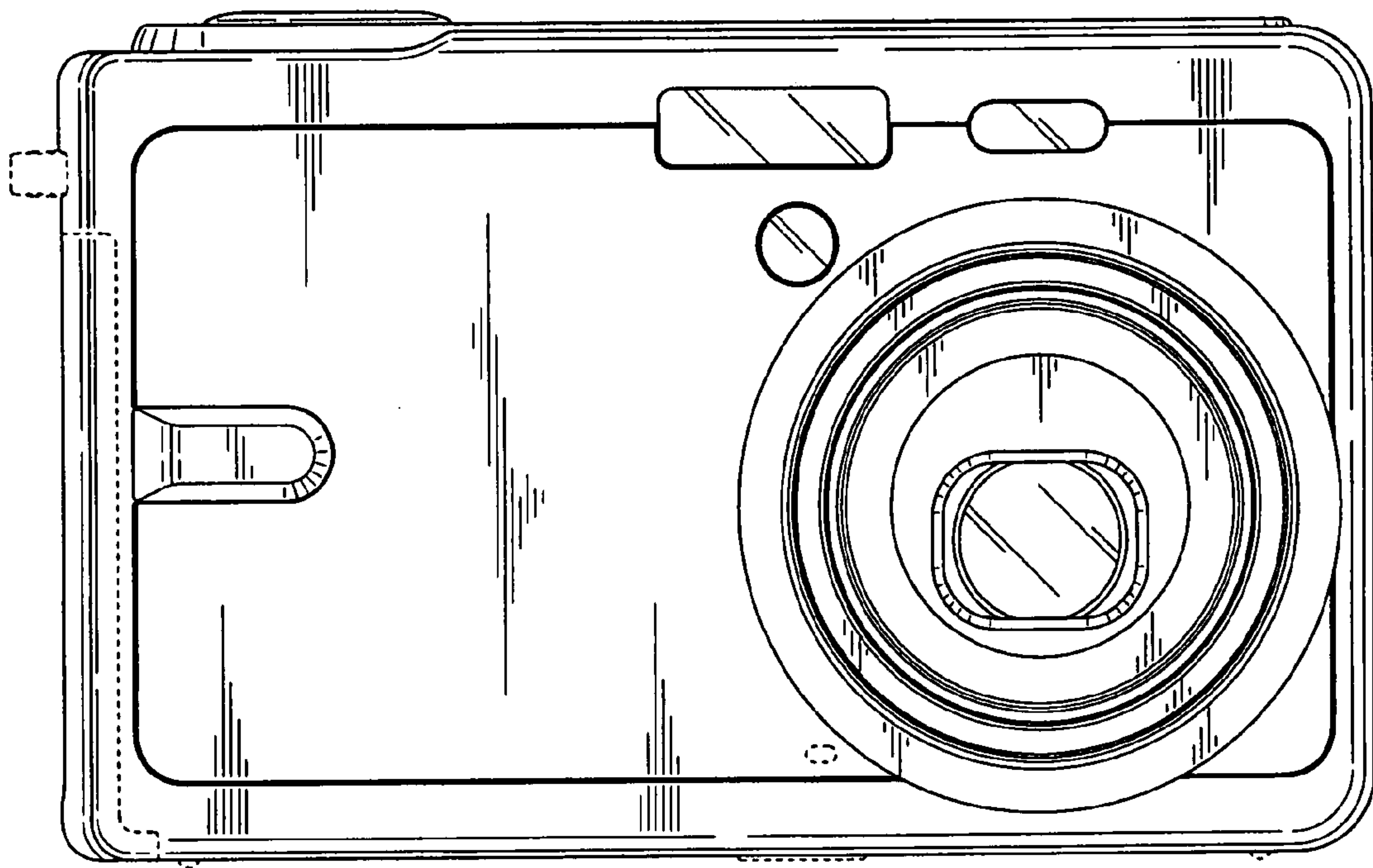


FIG. 9

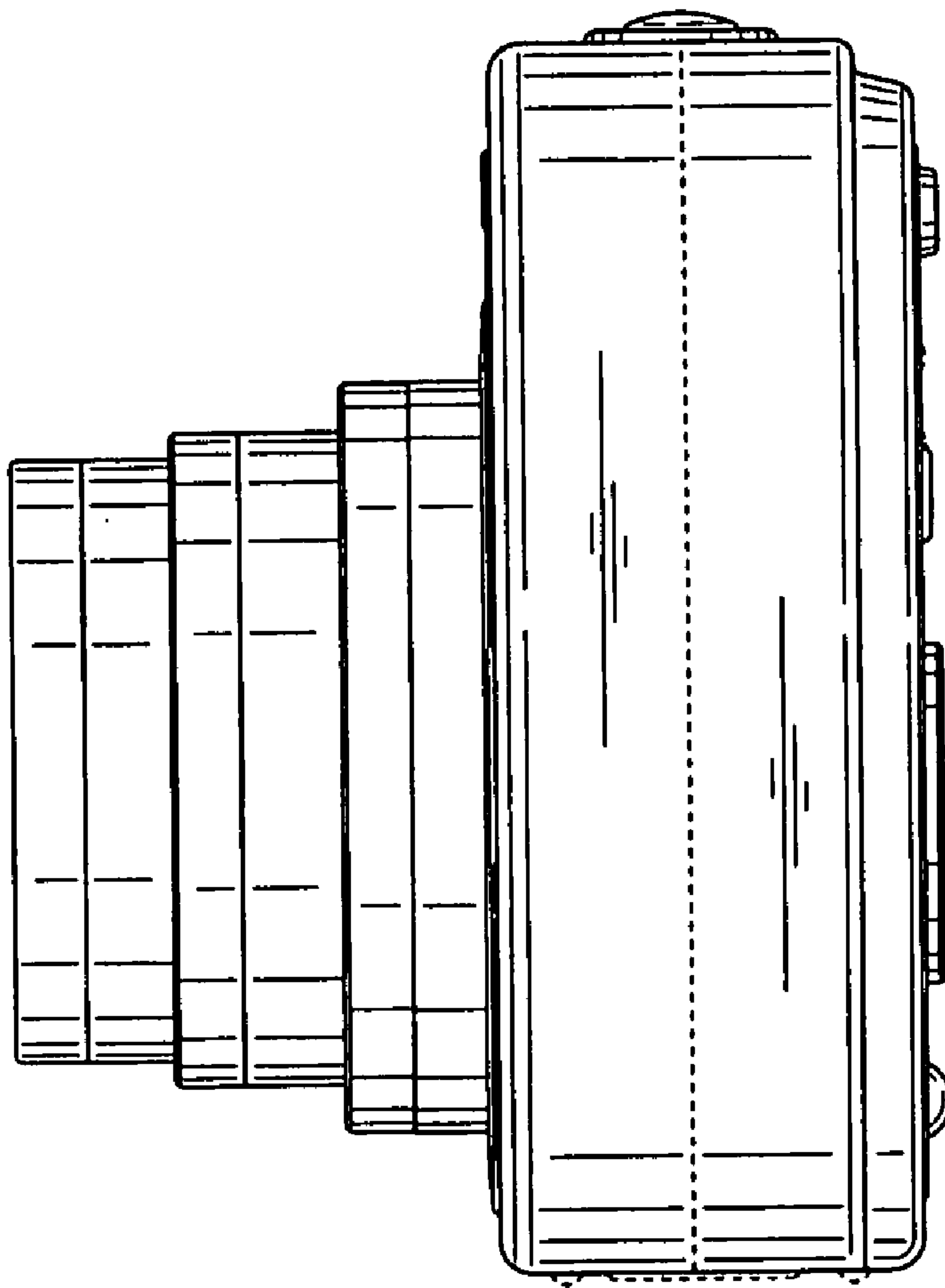


FIG. 10