



US00D557302S

(12) **United States Design Patent**  
**Kojima et al.**

(10) **Patent No.: US D557,302 S**

(45) **Date of Patent: \*\* \*Dec. 11, 2007**

(54) **VIDEO CAMERA WITH DIGITAL VIDEO  
DISC PLAYER**

(75) Inventors: **Akira Kojima**, Kunitachi (JP); **Atsushi  
Ishibashi**, Tokorozawa (JP); **Shinichi  
Morita**, Kokubunji (JP); **Koutaro  
Nomura**, Chigasaki (JP); **Minoru  
Ikeda**, Inagi (JP); **Keiichi Tadokoro**,  
Yokohama (JP)

(73) Assignee: **Hitachi, Ltd.**, Tokyo (JP)

(\*) Notice: This patent is subject to a terminal dis-  
claimer.

(\*\*) Term: **14 Years**

(21) Appl. No.: **29/253,905**

(22) Filed: **Feb. 15, 2006**

(30) **Foreign Application Priority Data**

Dec. 22, 2005 (JP) ..... 2005-037666

(51) **LOC (8) Cl.** ..... **16-01**

(52) **U.S. Cl.** ..... **D16/202**

(58) **Field of Classification Search** ..... D14/168;  
D16/132, 200, 202-206, 208, 218; 248/187.1;  
348/373-376; 358/906; 396/535-541  
See application file for complete search history.

(56) **References Cited**

**U.S. PATENT DOCUMENTS**

3,184,196 A \* 5/1965 Dent ..... 248/187.1  
D288,210 S \* 2/1987 Mise ..... D16/132  
D491,967 S \* 6/2004 Kojima et al. .... D16/202  
D500,068 S \* 12/2004 Hayashi ..... D16/202  
D500,512 S \* 1/2005 Hayashi ..... D16/208

D500,776 S \* 1/2005 Miyashita ..... D16/202  
D505,438 S \* 5/2005 Kojima et al. .... D16/202  
D515,123 S \* 2/2006 Kojima et al. .... D16/202  
D516,597 S \* 3/2006 Tsuchiya ..... D16/202  
D517,107 S \* 3/2006 Kojima et al. .... D16/202  
2005/0140823 A1 \* 6/2005 Ishikuro ..... 348/375

\* cited by examiner

*Primary Examiner*—Adir Aronovich

(74) *Attorney, Agent, or Firm*—Antonelli, Terry, Stout &  
Kraus, LLP.

(57) **CLAIM**

The ornamental design for video camera with digital video  
disc player, as shown and described.

**DESCRIPTION**

FIG. 1 is a front, top and right side perspective view of a  
video camera with digital video disc player showing our new  
design;

FIG. 2 is a front elevational view thereof;

FIG. 3 is a rear elevational view thereof;

FIG. 4 is a right side elevational view thereof;

FIG. 5 is a left side elevational view thereof;

FIG. 6 is a top plan view thereof;

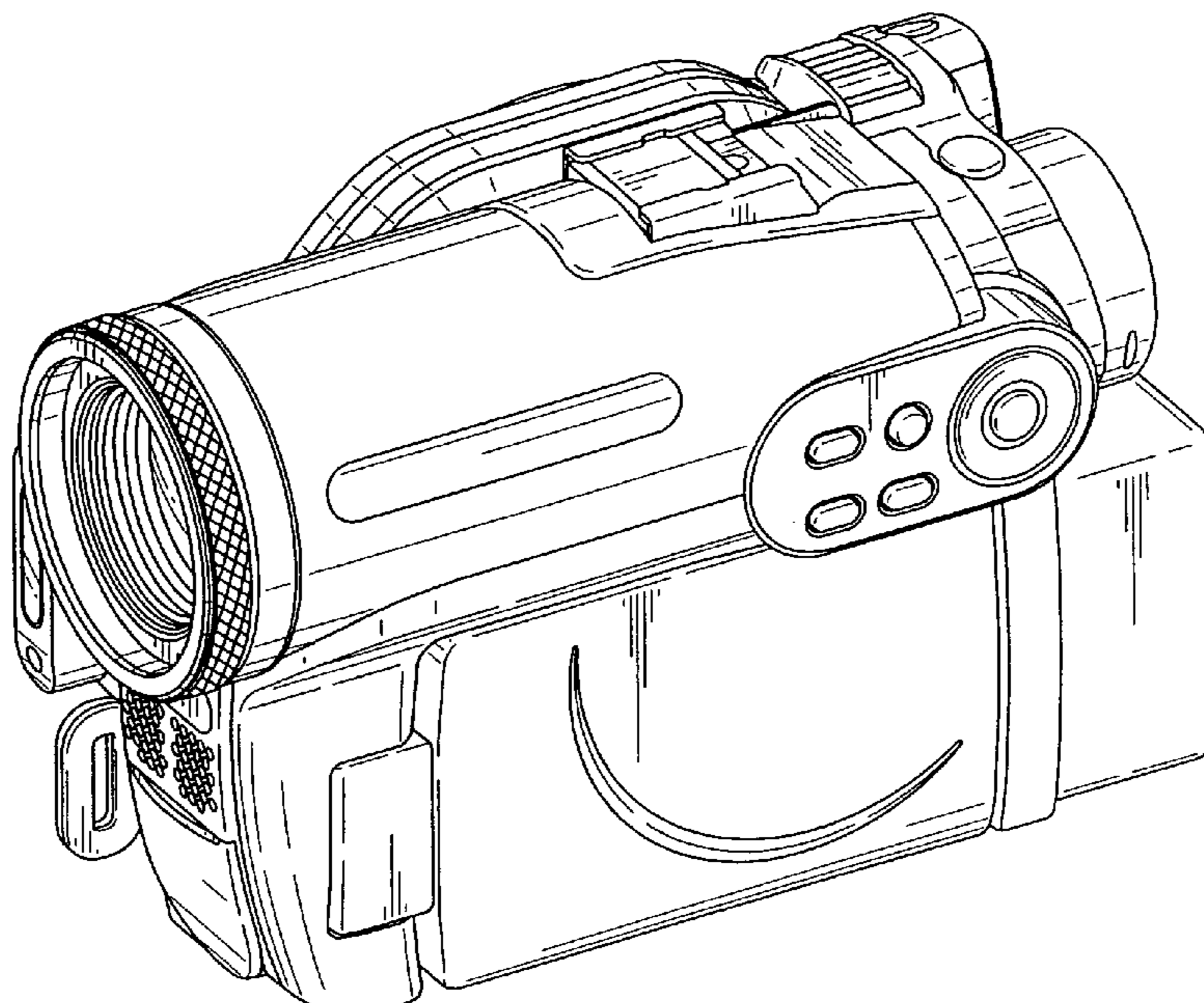
FIG. 7 is a bottom plan view thereof;

FIG. 8 is a front, top and left side perspective view thereof,  
a disc cover being opened;

FIG. 9 is a right side elevational view thereof, a liquid  
crystal monitor being opened; and,

FIG. 10 is a rear elevational view thereof, the liquid crystal  
monitor being opened.

**1 Claim, 5 Drawing Sheets**



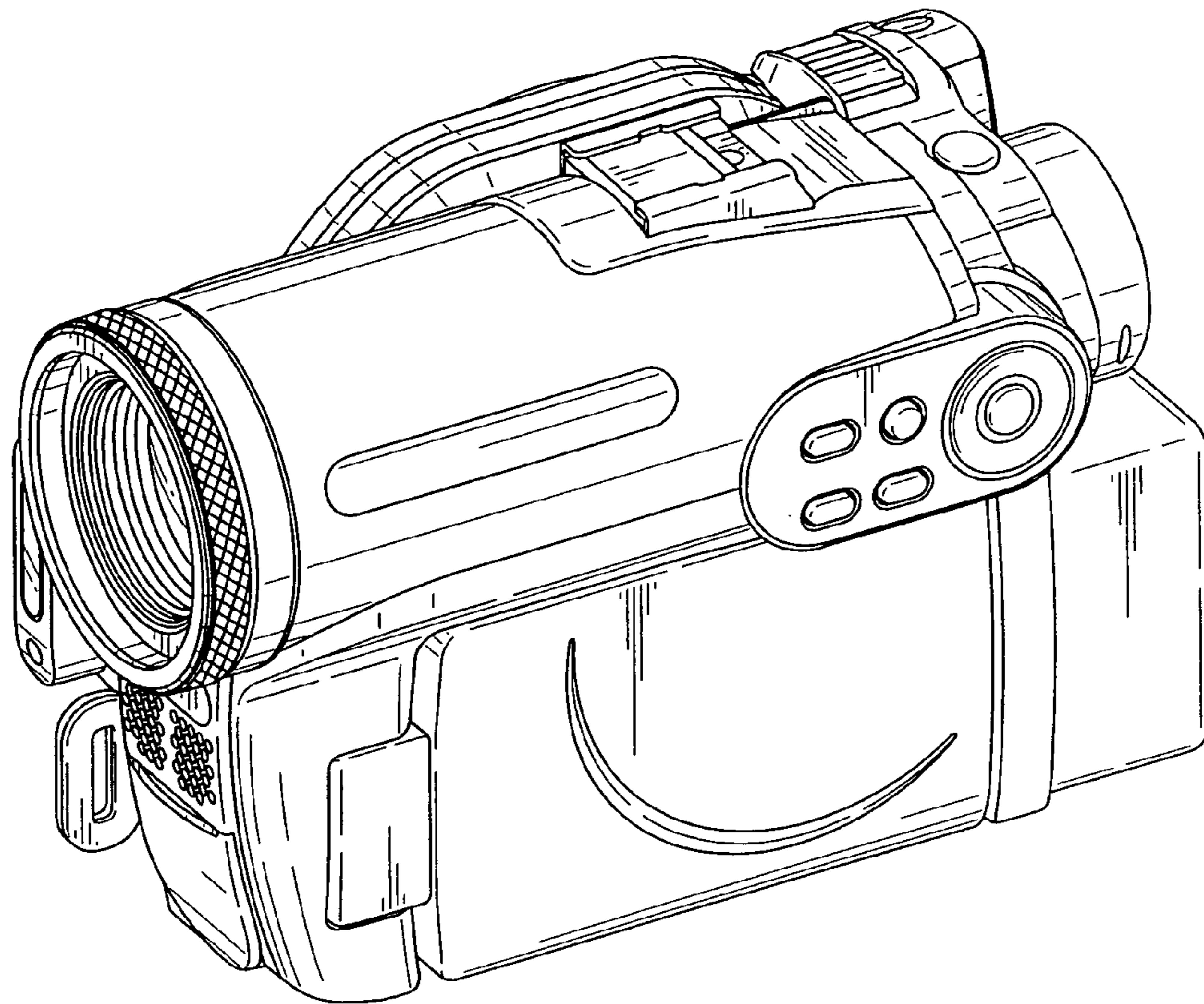


FIG. 1

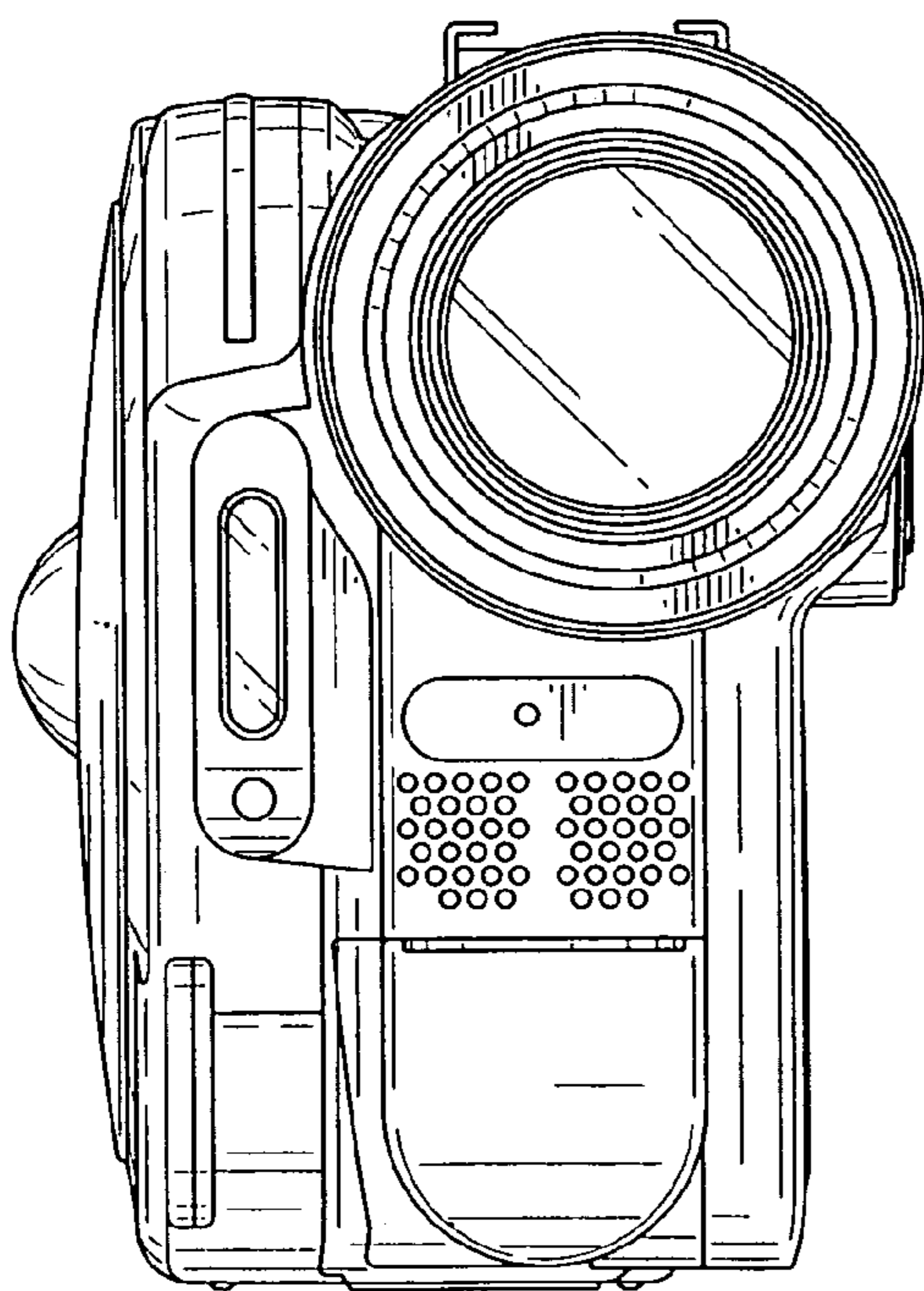


FIG. 2

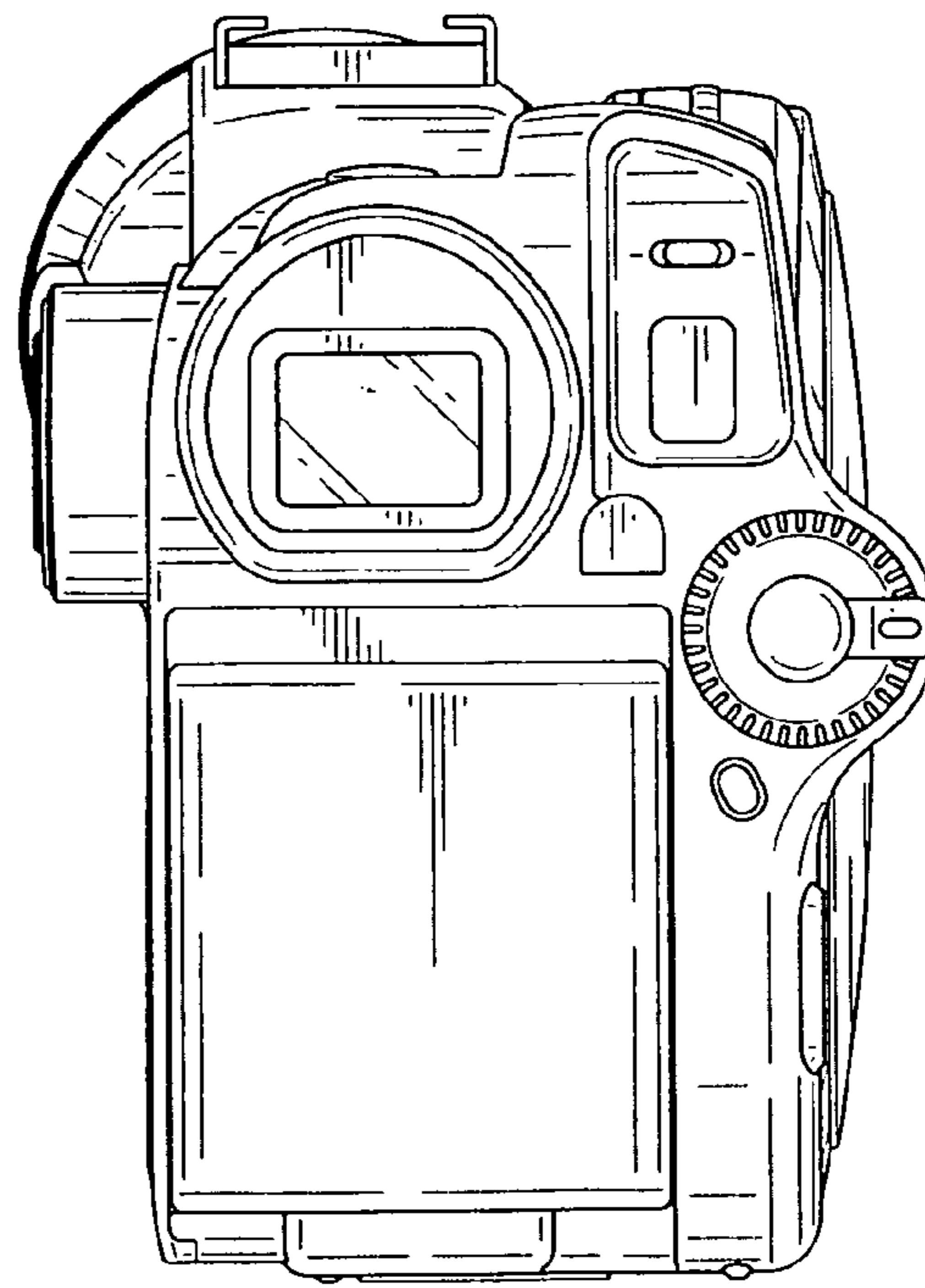


FIG. 3



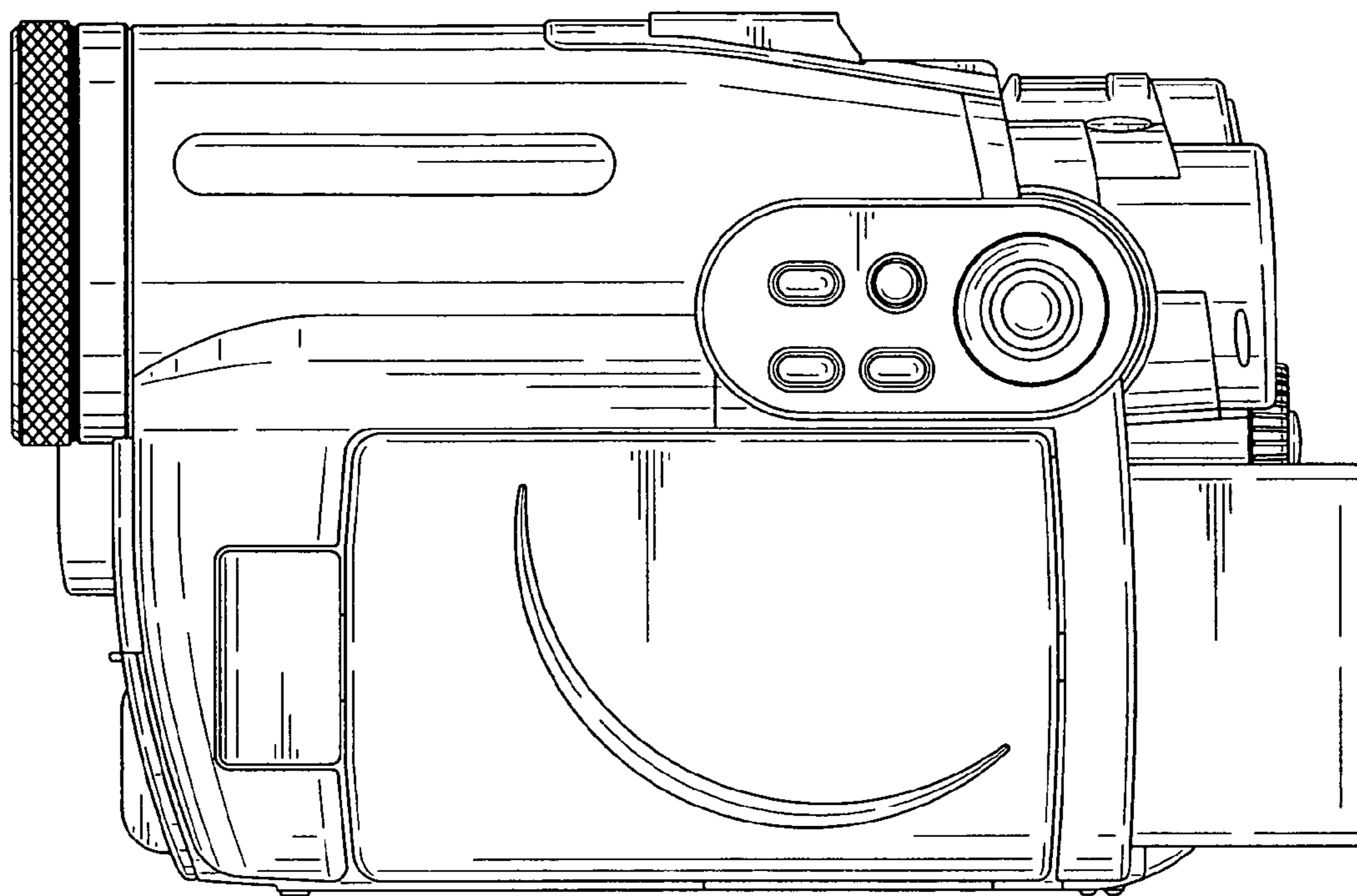


FIG. 4

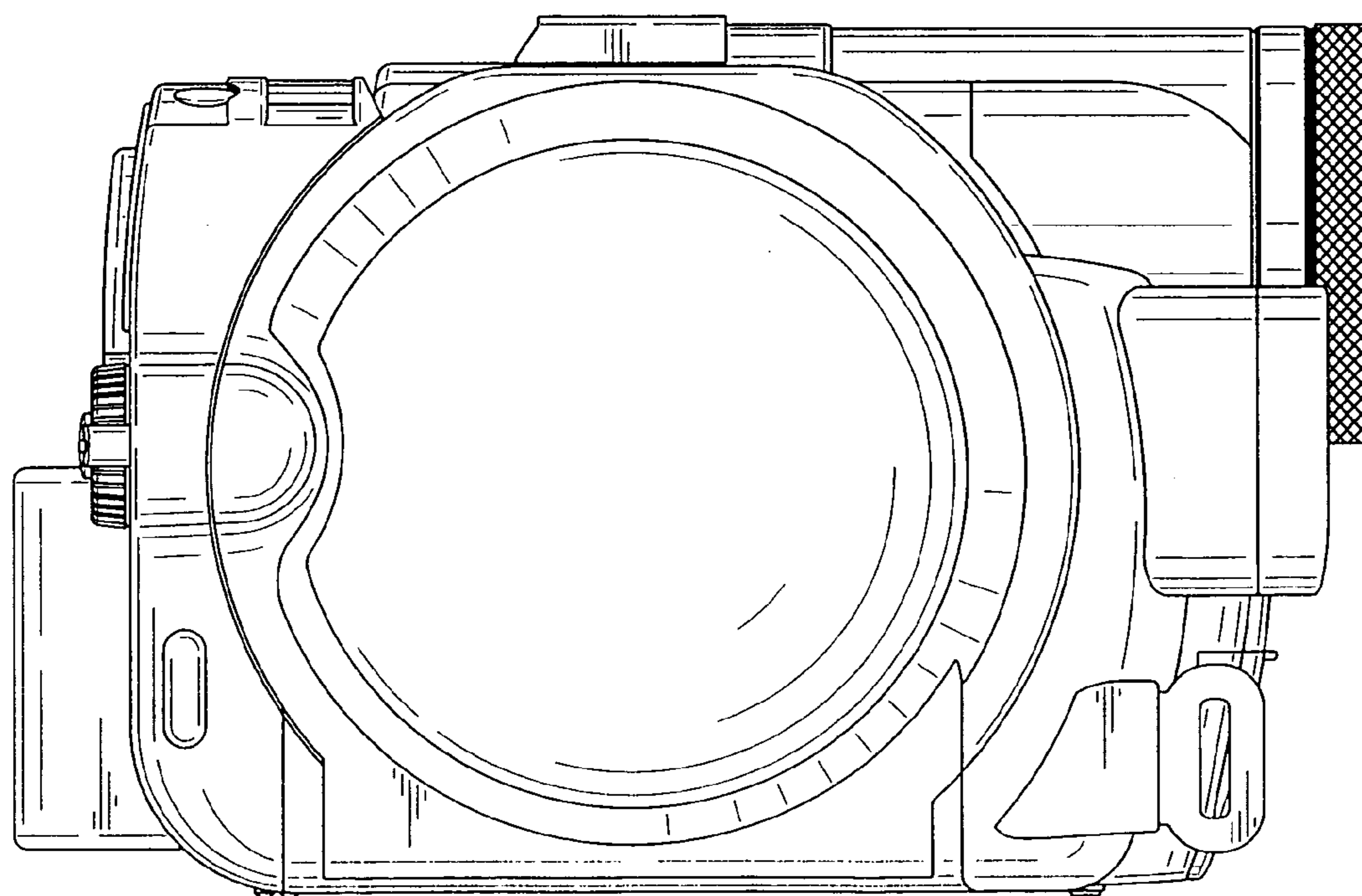


FIG. 5

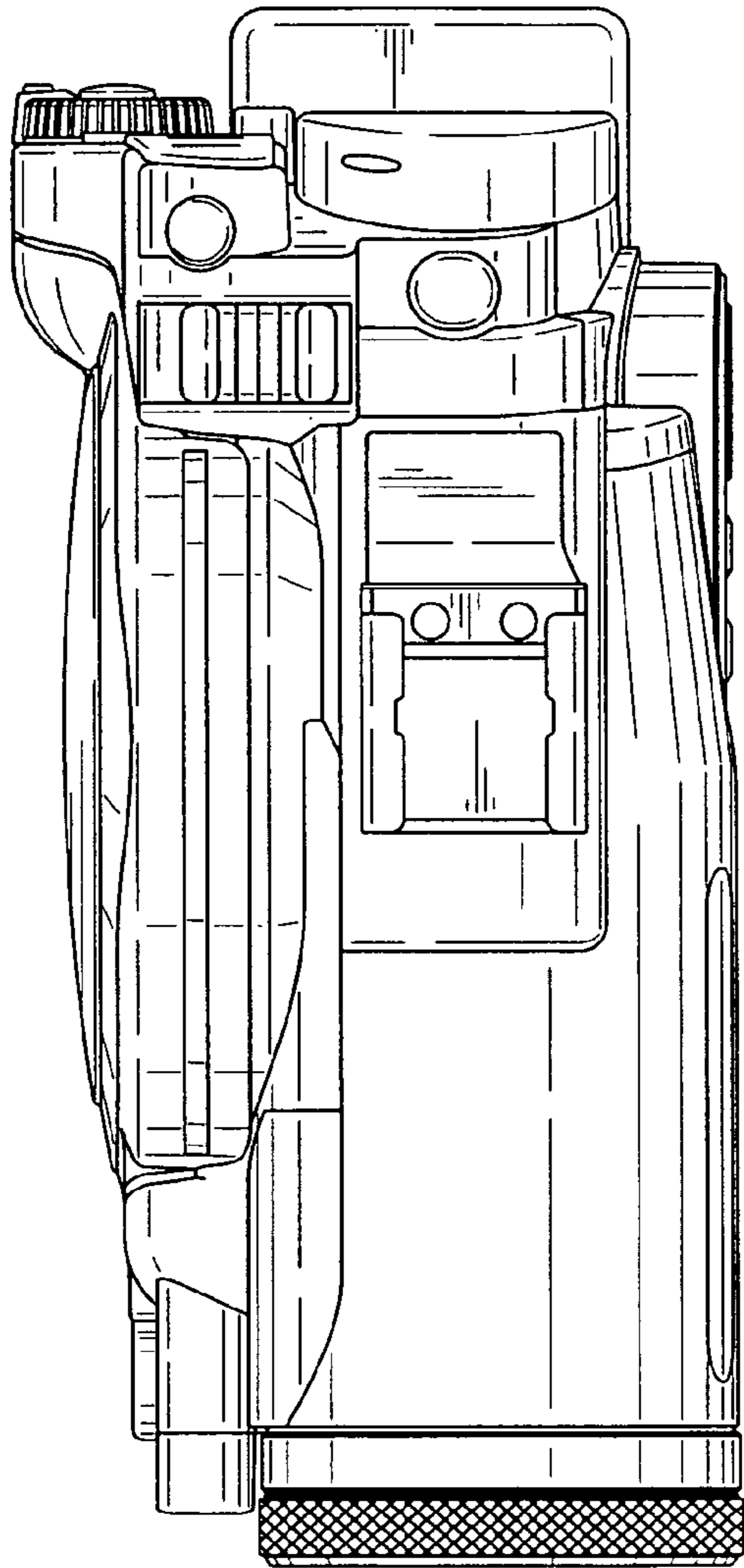


FIG. 6

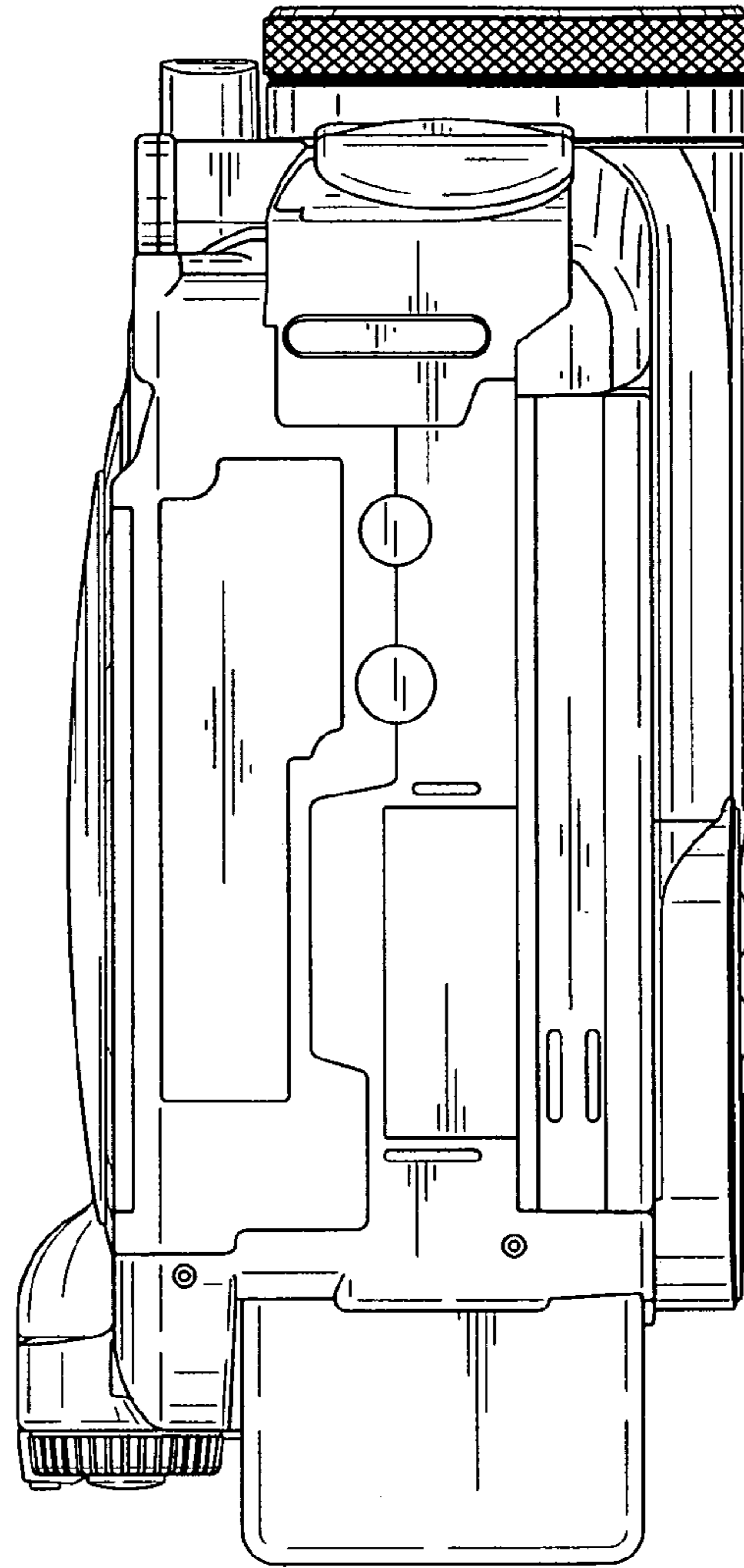


FIG. 7

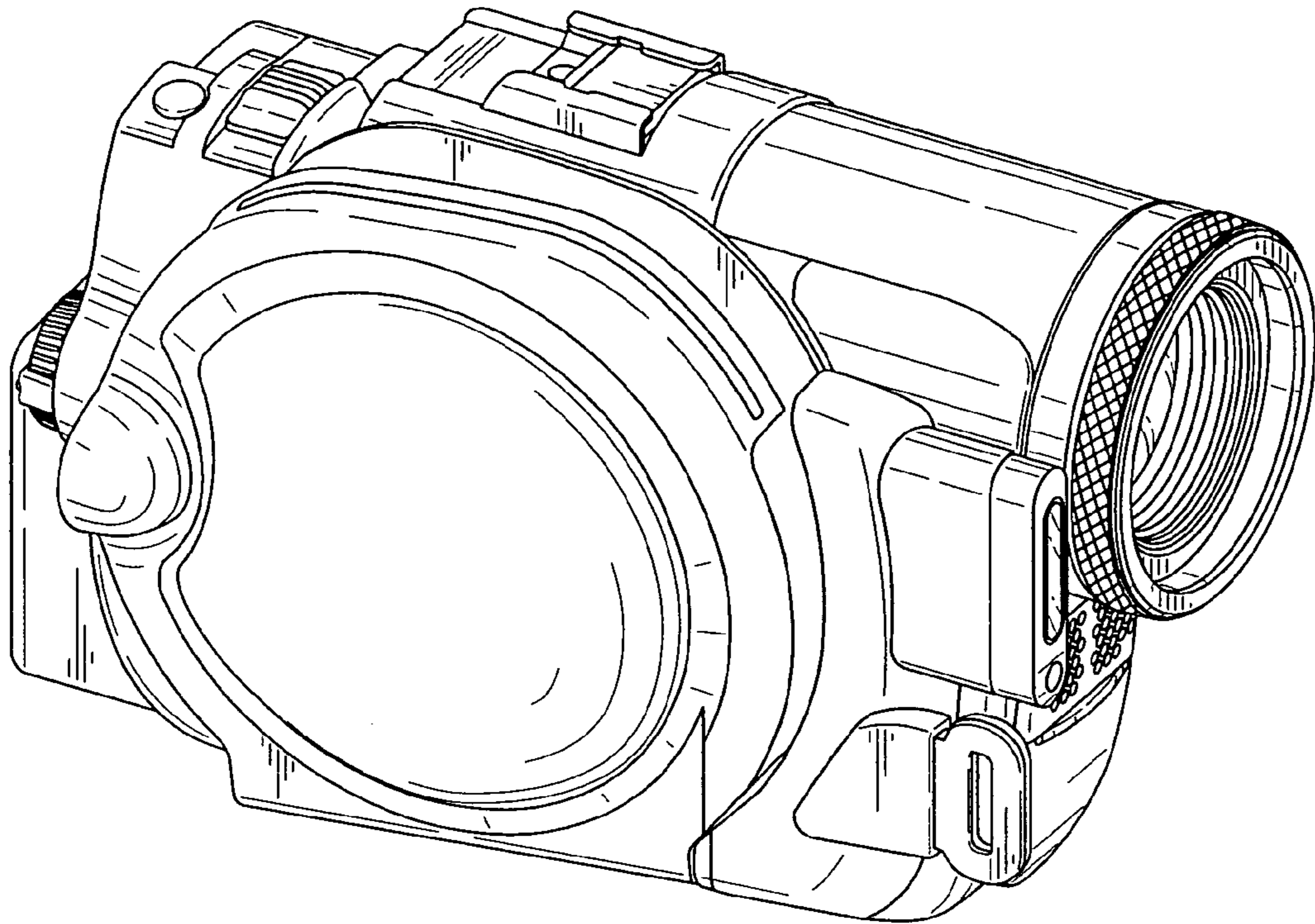


FIG. 8

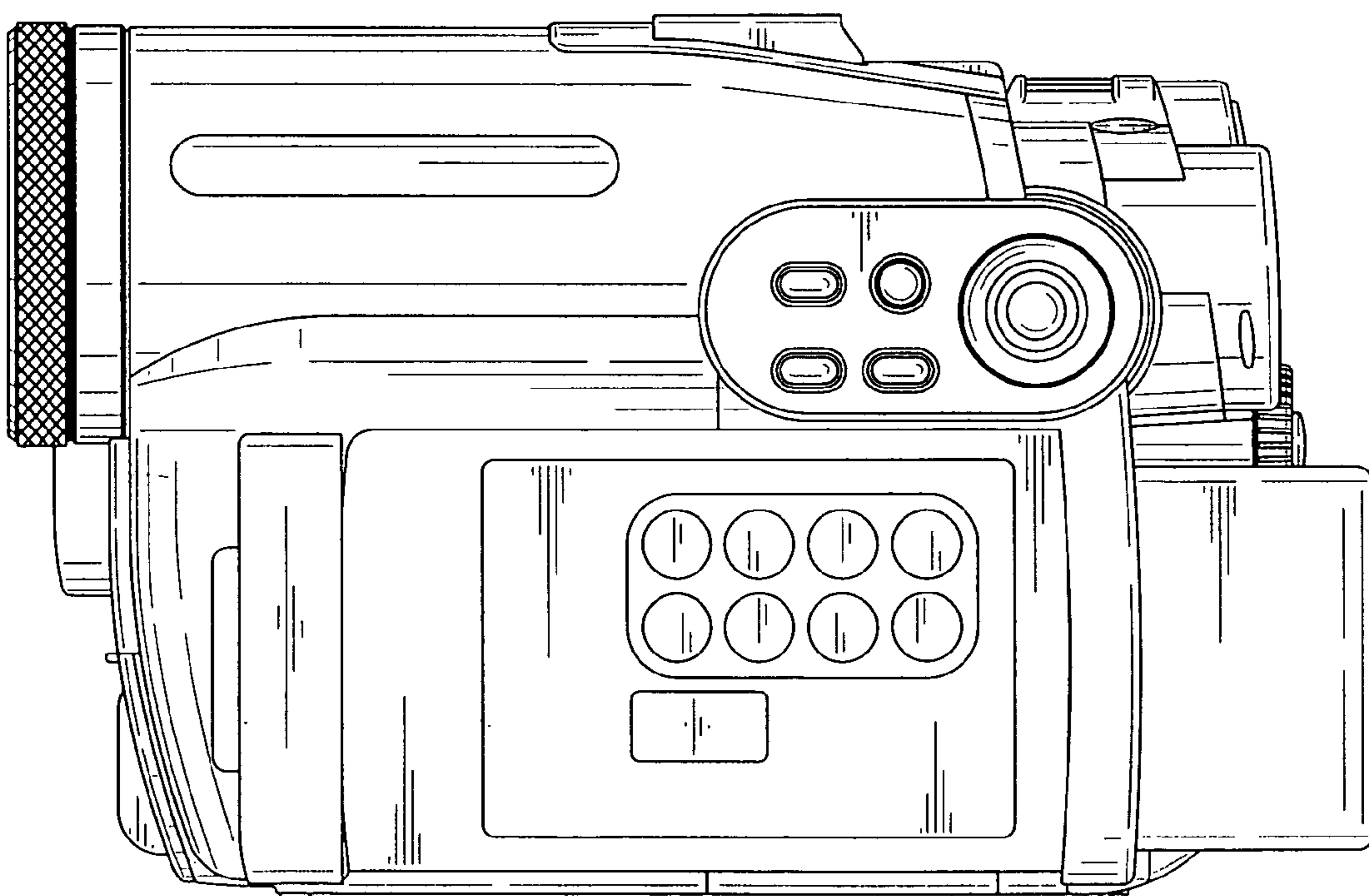
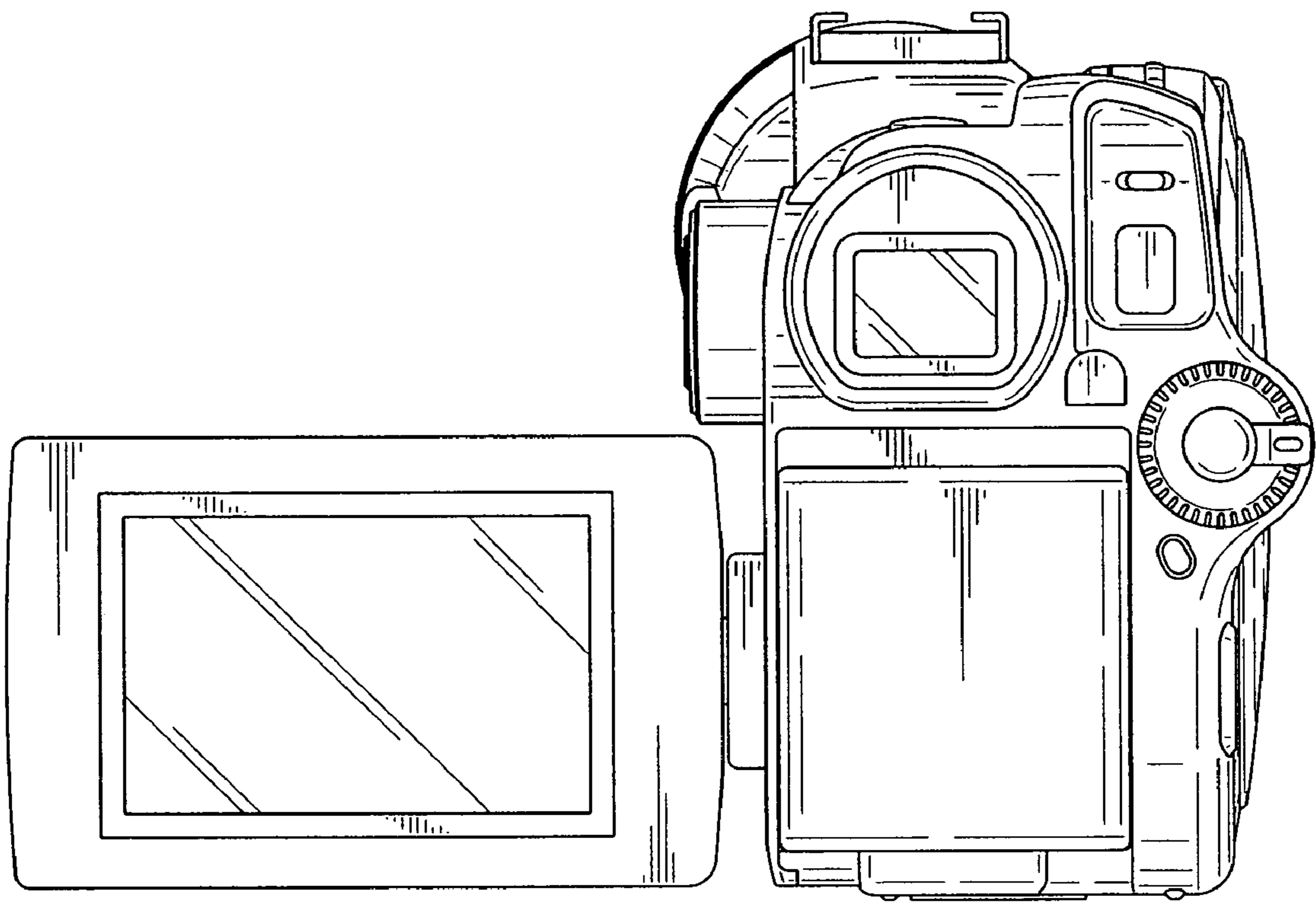


FIG. 9



*FIG. 10*