



US00D557301S

(12) **United States Design Patent**  
**Wu**

(10) **Patent No.:** **US D557,301 S**

(45) **Date of Patent:** **\*\* Dec. 11, 2007**

(54) **AUTO-FOCUSING UPRIGHT INFRARED CAMERA**

D515,605 S \* 2/2006 Hayashi et al. .... D16/202  
D528,575 S \* 9/2006 Suzuki et al. .... D16/202

(75) Inventor: **Jiping Wu**, Guangzhou (CN)

\* cited by examiner

(73) Assignee: **Guangzhou SAT Infrared Technology Co., Ltd**, Guangzhou (CN)

*Primary Examiner*—Adir Aronovich

(74) *Attorney, Agent, or Firm*—Townsend and Townsend and Crew LLP

(\*\*) Term: **14 Years**

(57) **CLAIM**

(21) Appl. No.: **29/244,508**

The ornamental design for an auto-focusing upright infrared camera, as shown and described.

(22) Filed: **Dec. 8, 2005**

(30) **Foreign Application Priority Data**

**DESCRIPTION**

Dec. 7, 2005 (CN) ..... 2005 3 0167089

FIG. 1 is a rear, right perspective view of an auto-focusing upright infrared camera showing my new design;

(51) **LOC (8) Cl.** ..... **16-01**

FIG. 2 is a rear left perspective view thereof;

(52) **U.S. Cl.** ..... **D16/202**

FIG. 3 is a right side elevational view thereof;

(58) **Field of Classification Search** ..... D16/200–205,  
D16/208, 218; 348/164, 373, 374–376; 358/906;  
396/535–541

FIG. 4 is a left side elevational view thereof;

FIG. 5 is a front elevational view thereof;

See application file for complete search history.

FIG. 6 is a rear elevational view thereof;

FIG. 7 is a top plan view thereof; and,

FIG. 8 is a bottom plan view thereof.

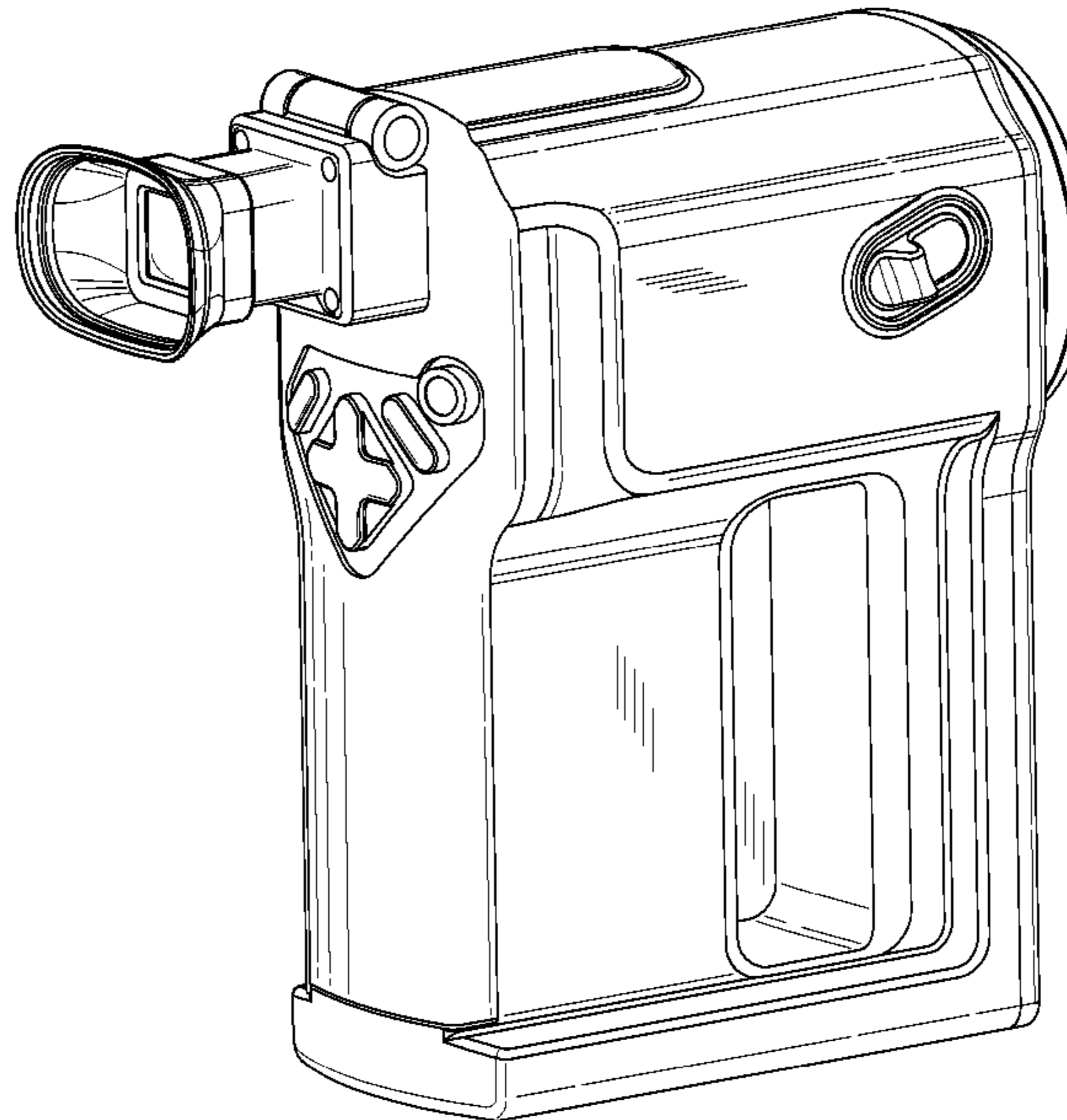
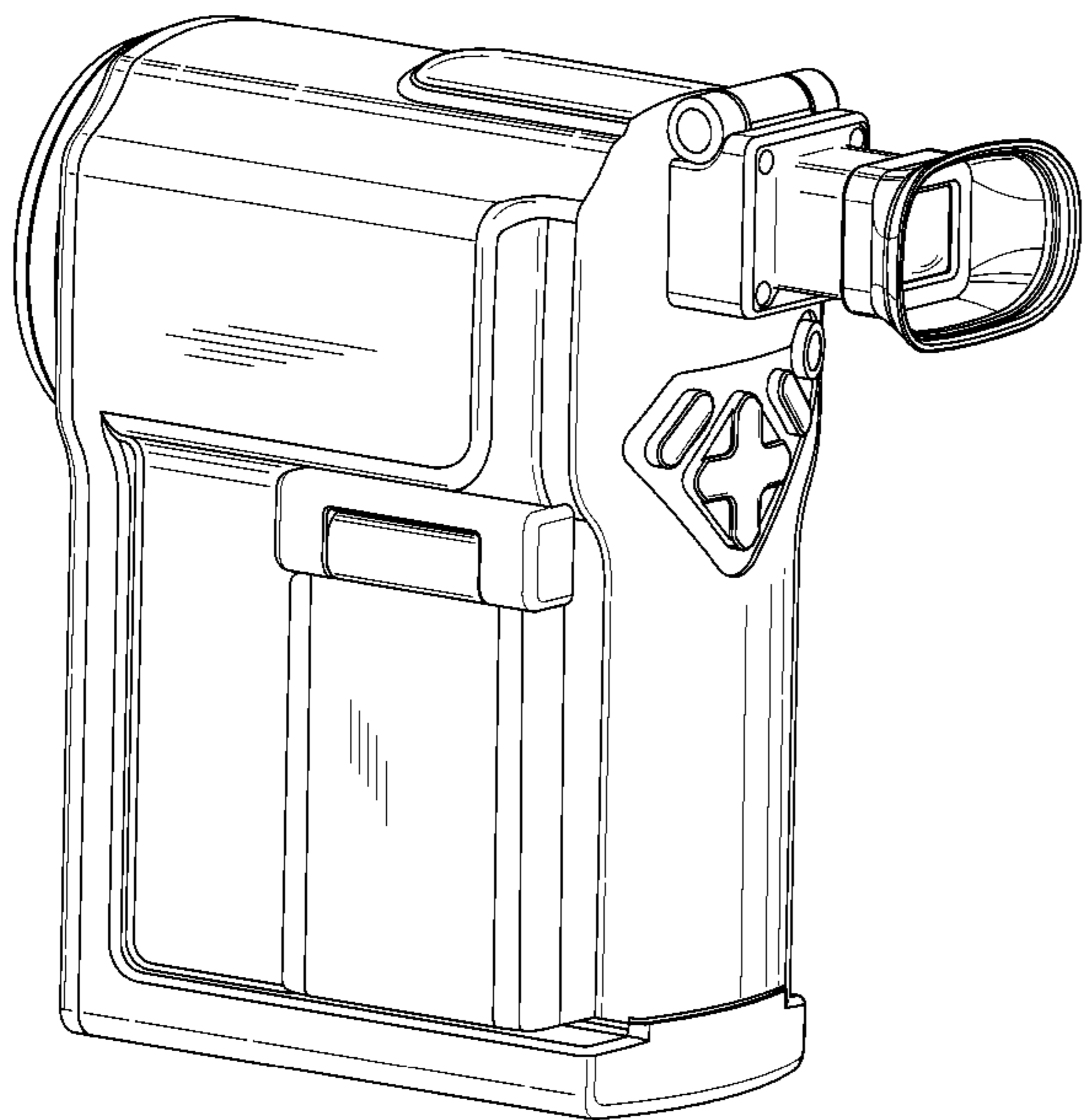
The portions of the camera in broken lines are shown for illustrative purposes only and form no part of the claimed design.

(56) **References Cited**

**U.S. PATENT DOCUMENTS**

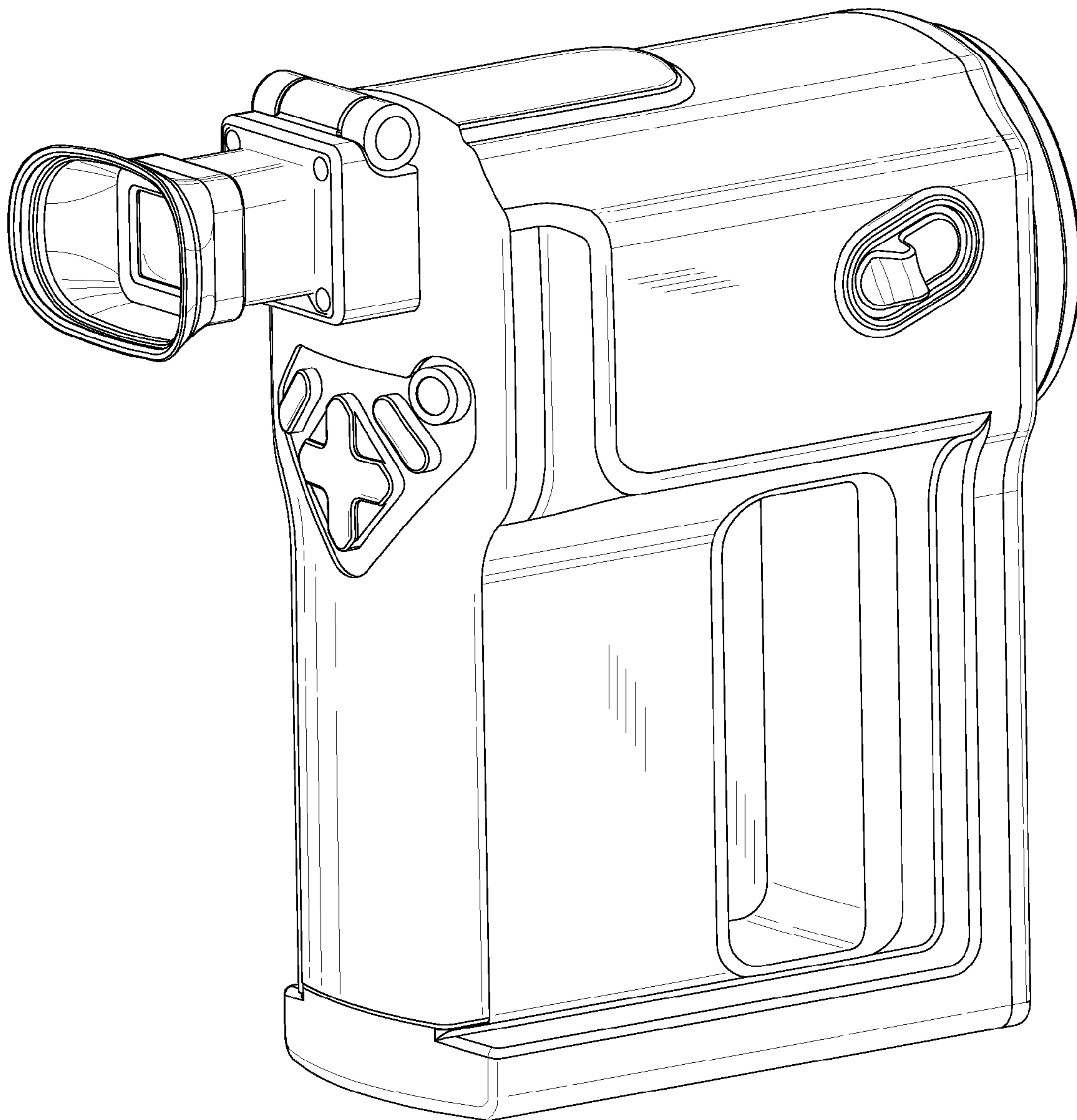
D407,097 S \* 3/1999 Suzuki et al. .... D16/202  
D431,582 S \* 10/2000 Sumita et al. .... D16/202  
D450,736 S \* 11/2001 Shinano ..... D16/202  
6,912,005 B2 \* 6/2005 Senda ..... 348/333.06

**1 Claim, 8 Drawing Sheets**

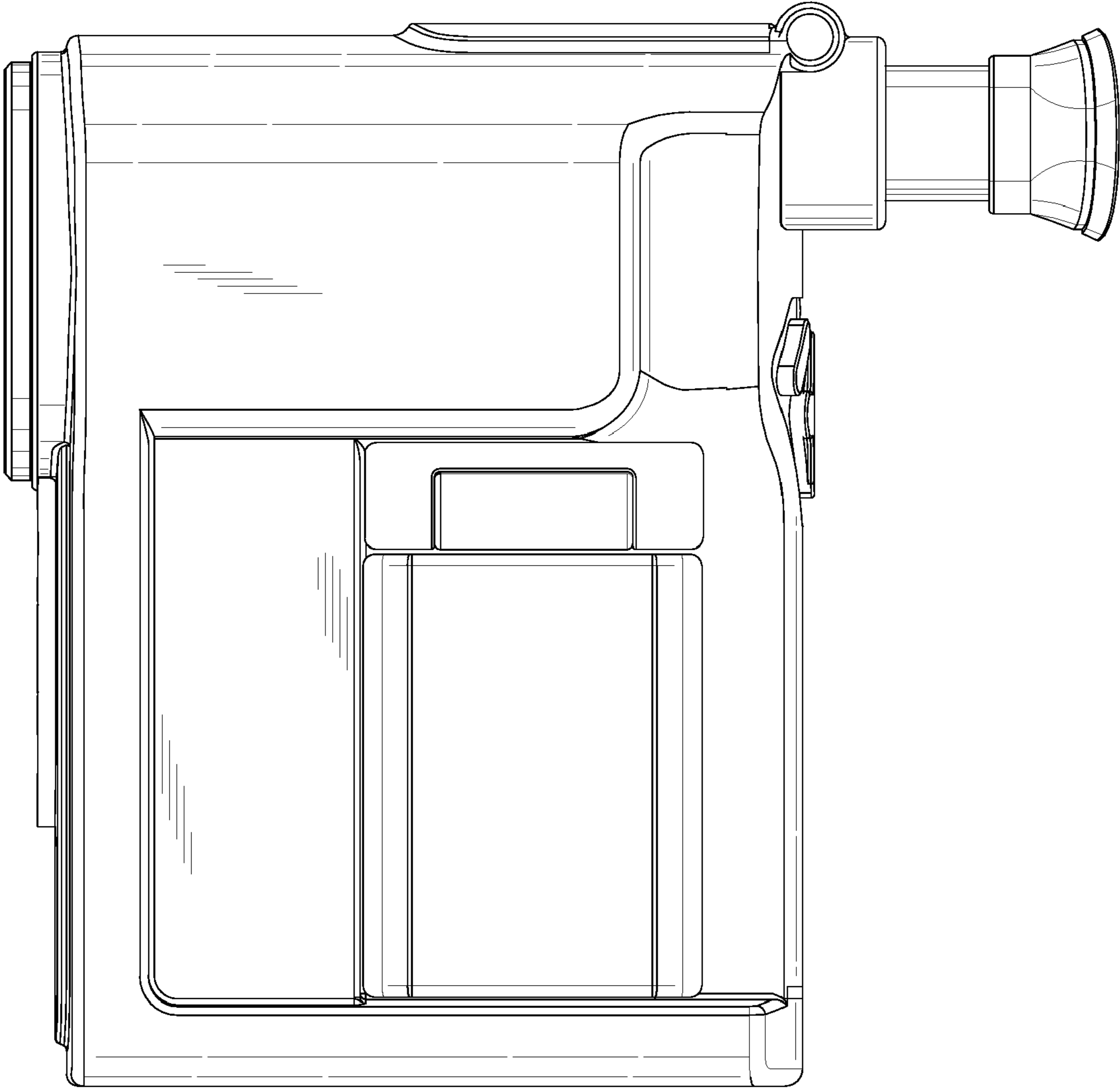




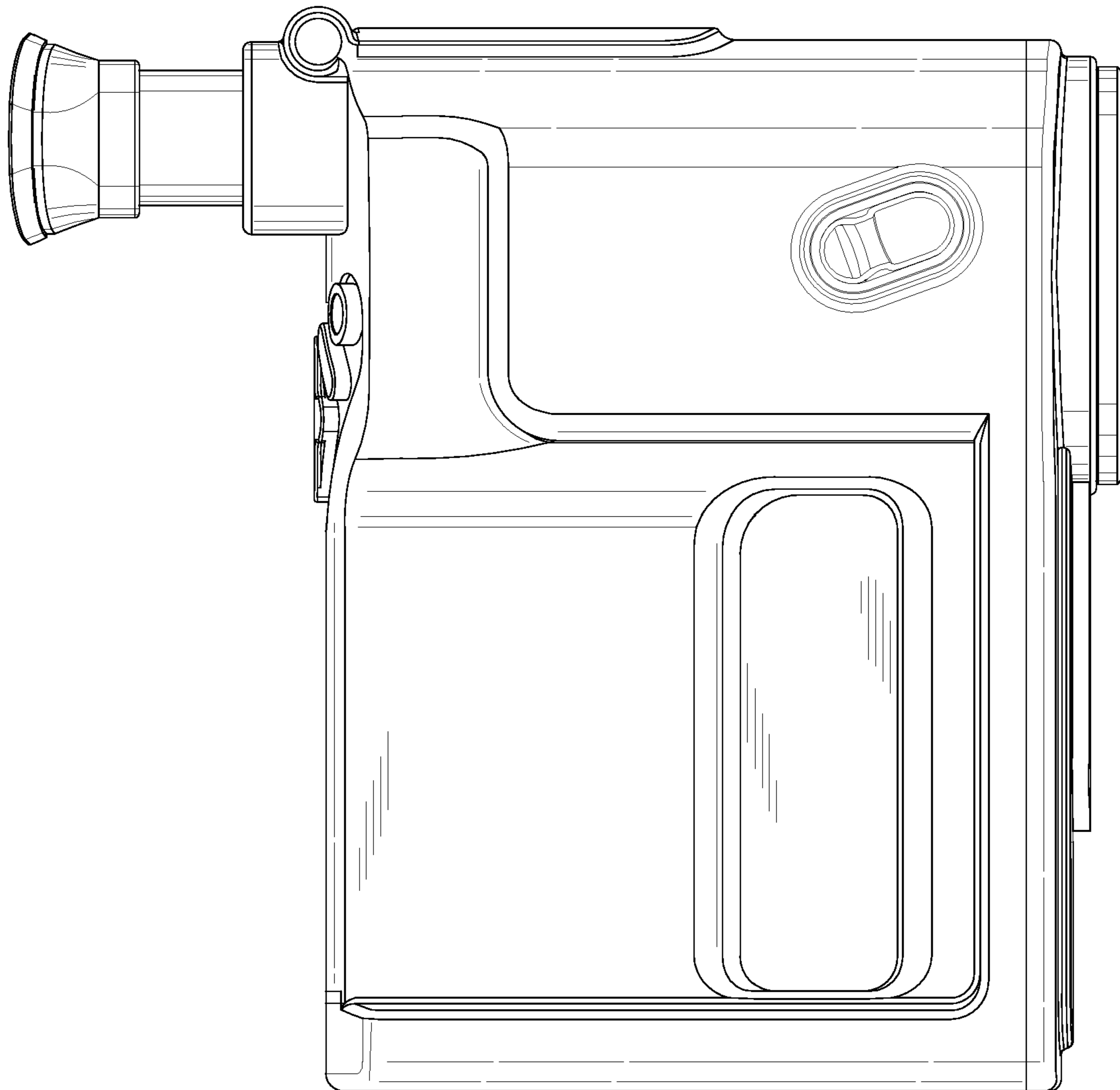
*FIG. 1*



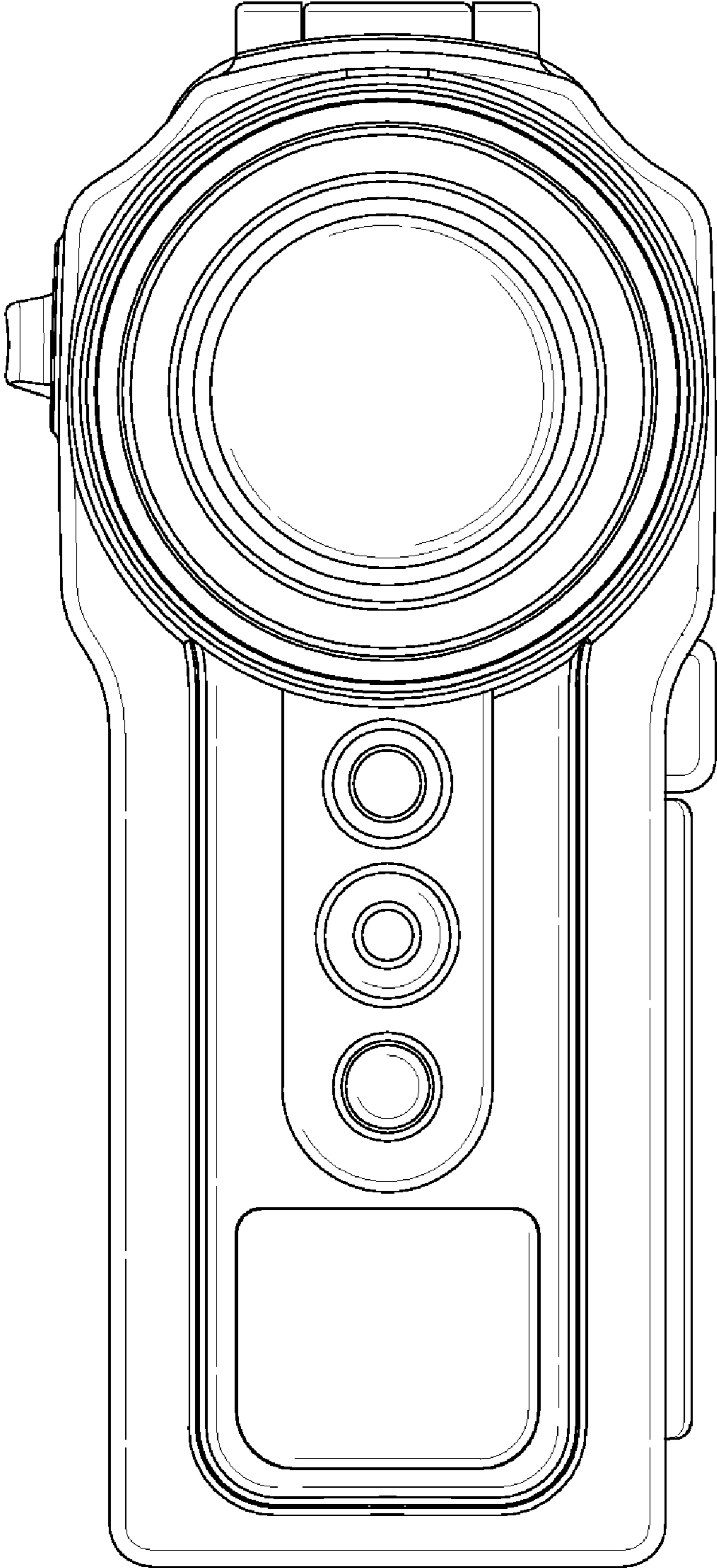
*FIG. 2*



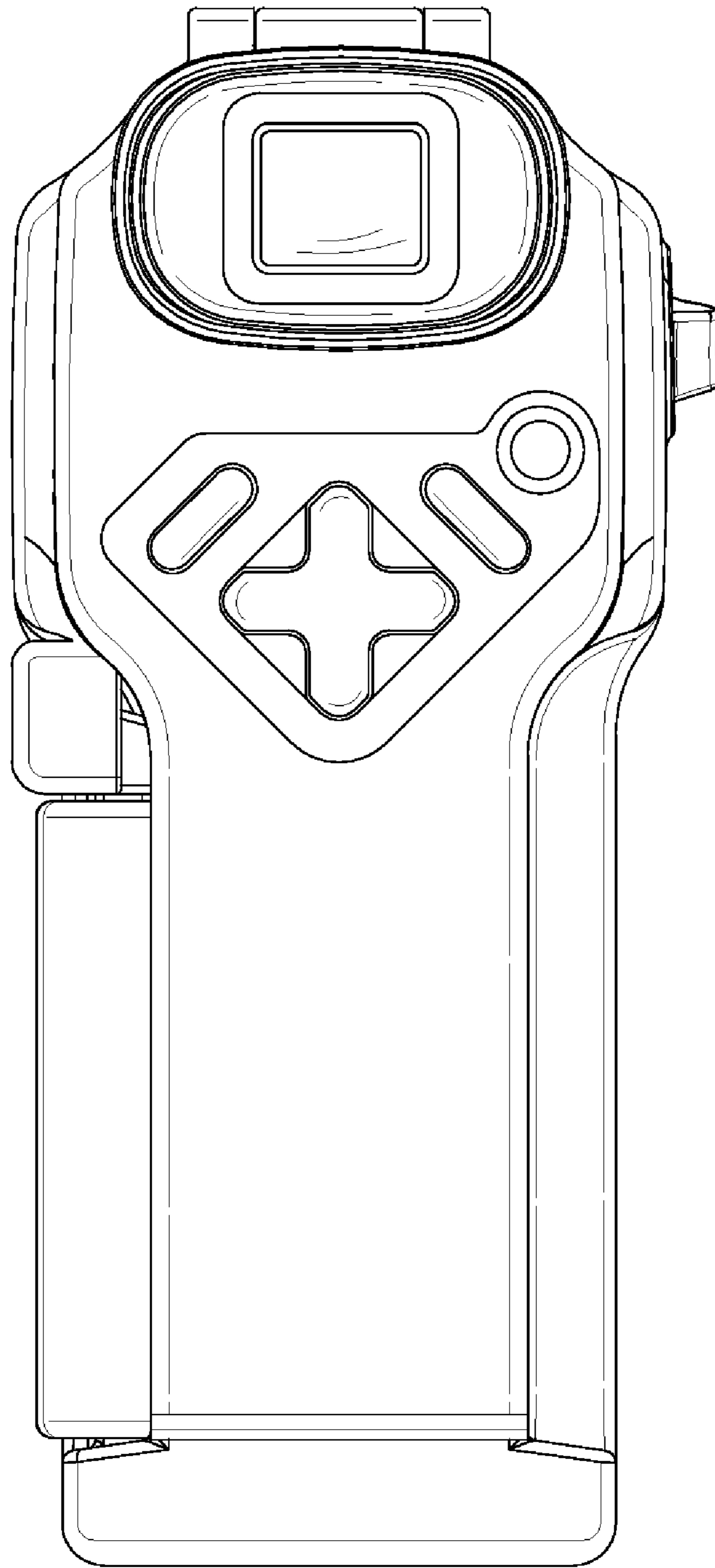
*FIG. 3*



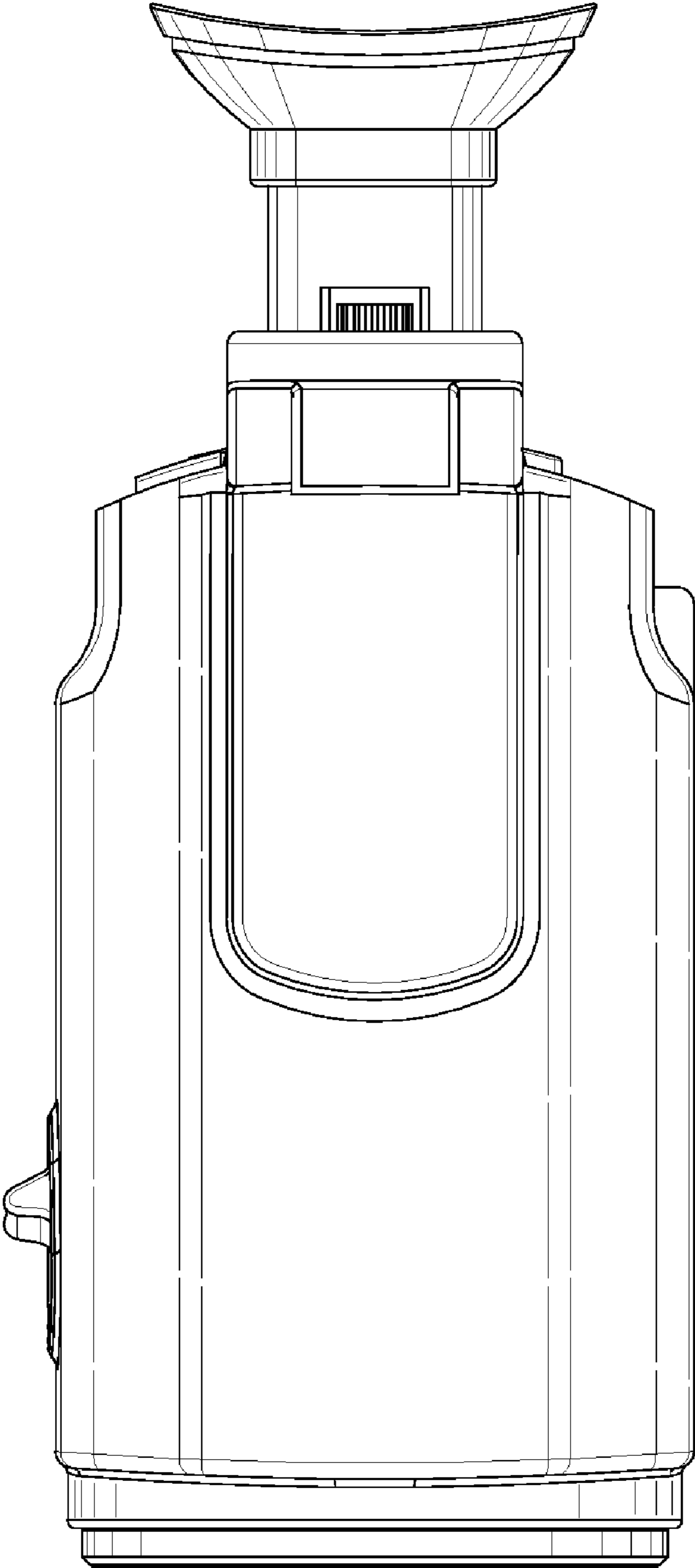
*FIG. 4*



*FIG. 5*

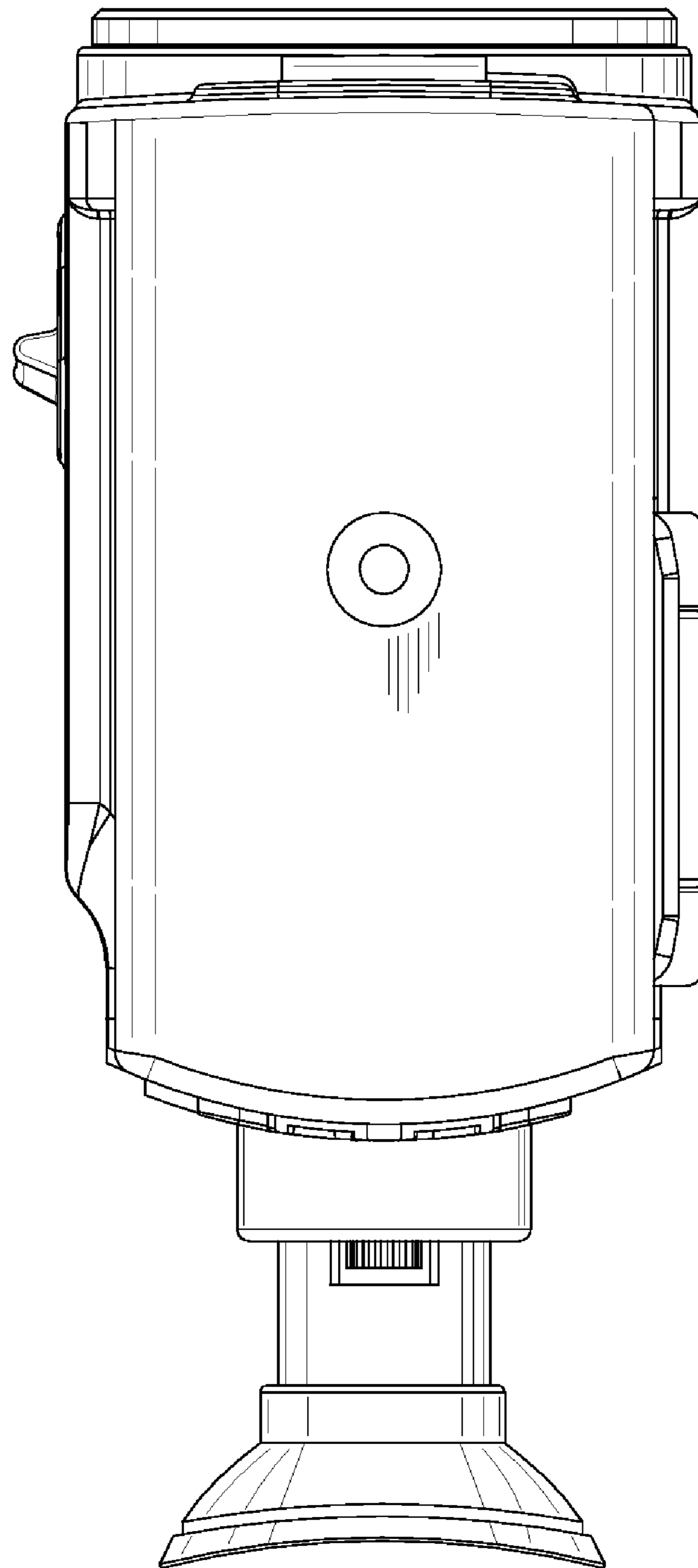


*FIG. 6*



*FIG. 7*





*FIG. 8*