



US00D557300S

(12) **United States Design Patent**
Wu

(10) **Patent No.:** **US D557,300 S**

(45) **Date of Patent:** **** Dec. 11, 2007**

(54) **UPRIGHT INFRARED CAMERA**

(75) Inventor: **Jiping Wu**, Guangzhou (CN)

(73) Assignee: **Guangzhou SAT Infrared Technology Co., Ltd**, Guangzhou (CN)

(**) Term: **14 Years**

(21) Appl. No.: **29/244,507**

(22) Filed: **Dec. 8, 2005**

(30) **Foreign Application Priority Data**

Dec. 7, 2005 (CN) 2005 3 0167090

(51) **LOC (8) Cl.** **16-01**

(52) **U.S. Cl.** **D16/202**

(58) **Field of Classification Search** D16/200–205,
D16/208, 218; 348/164, 373, 374–376; 358/906;
396/535–541

See application file for complete search history.

(56) **References Cited**

U.S. PATENT DOCUMENTS

D396,051 S * 7/1998 Mori D16/202
D407,097 S * 3/1999 Suzuki et al. D16/202
D431,582 S * 10/2000 Sumita et al. D16/202
D450,736 S * 11/2001 Shinano D16/202
6,912,005 B2 * 6/2005 Senda 348/333.06

D515,605 S * 2/2006 Hayashi et al. D16/202
D528,575 S * 9/2006 Suzuki et al. D16/202

* cited by examiner

Primary Examiner—Adir Aronovich

(74) *Attorney, Agent, or Firm*—Townsend and Townsend and Crew LLP

(57) **CLAIM**

The ornamental design for an upright infrared camera, as shown and described.

DESCRIPTION

FIG. 1 is a rear, right perspective view of an upright infrared camera showing my new design;

FIG. 2 is a rear left perspective view thereof;

FIG. 3 is a right side elevational view thereof;

FIG. 4 is a left side elevational view thereof;

FIG. 5 is a front elevational view thereof;

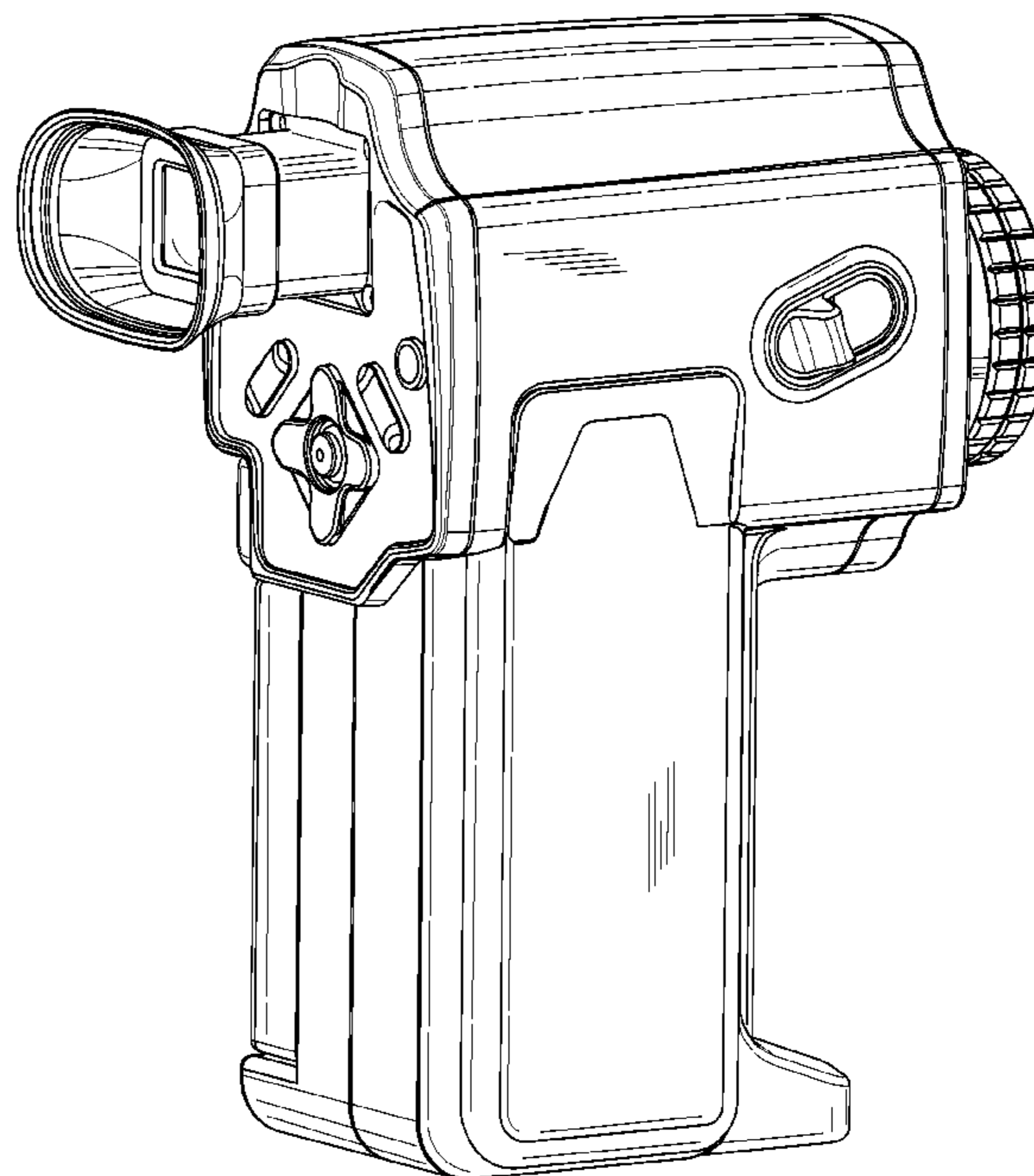
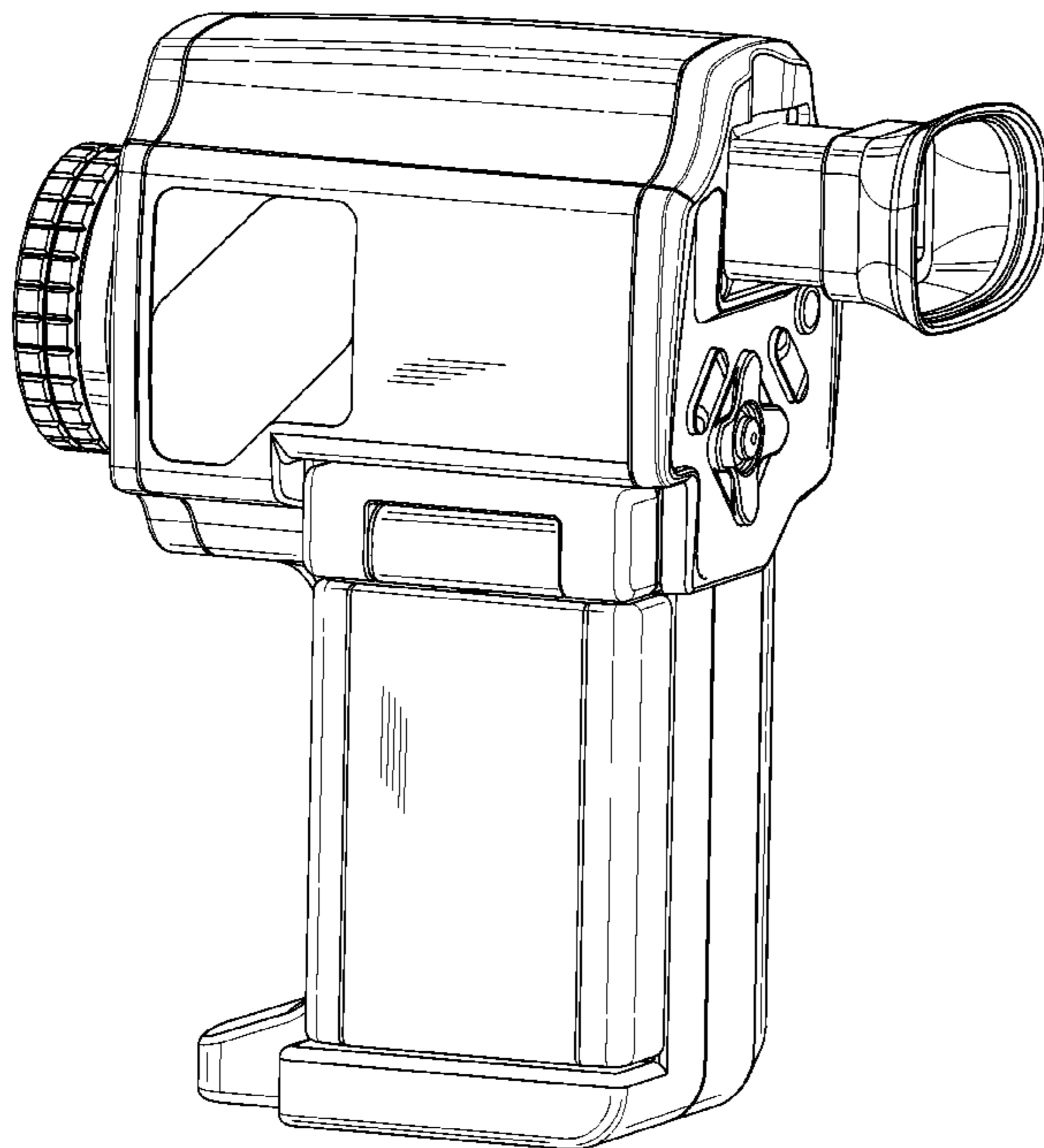
FIG. 6 is a rear elevational view thereof;

FIG. 7 is a top plan view thereof; and,

FIG. 8 is a bottom plan view thereof.

The portions of the camera in broken lines are shown for illustrative purposes only and form no part of the claimed design.

1 Claim, 8 Drawing Sheets



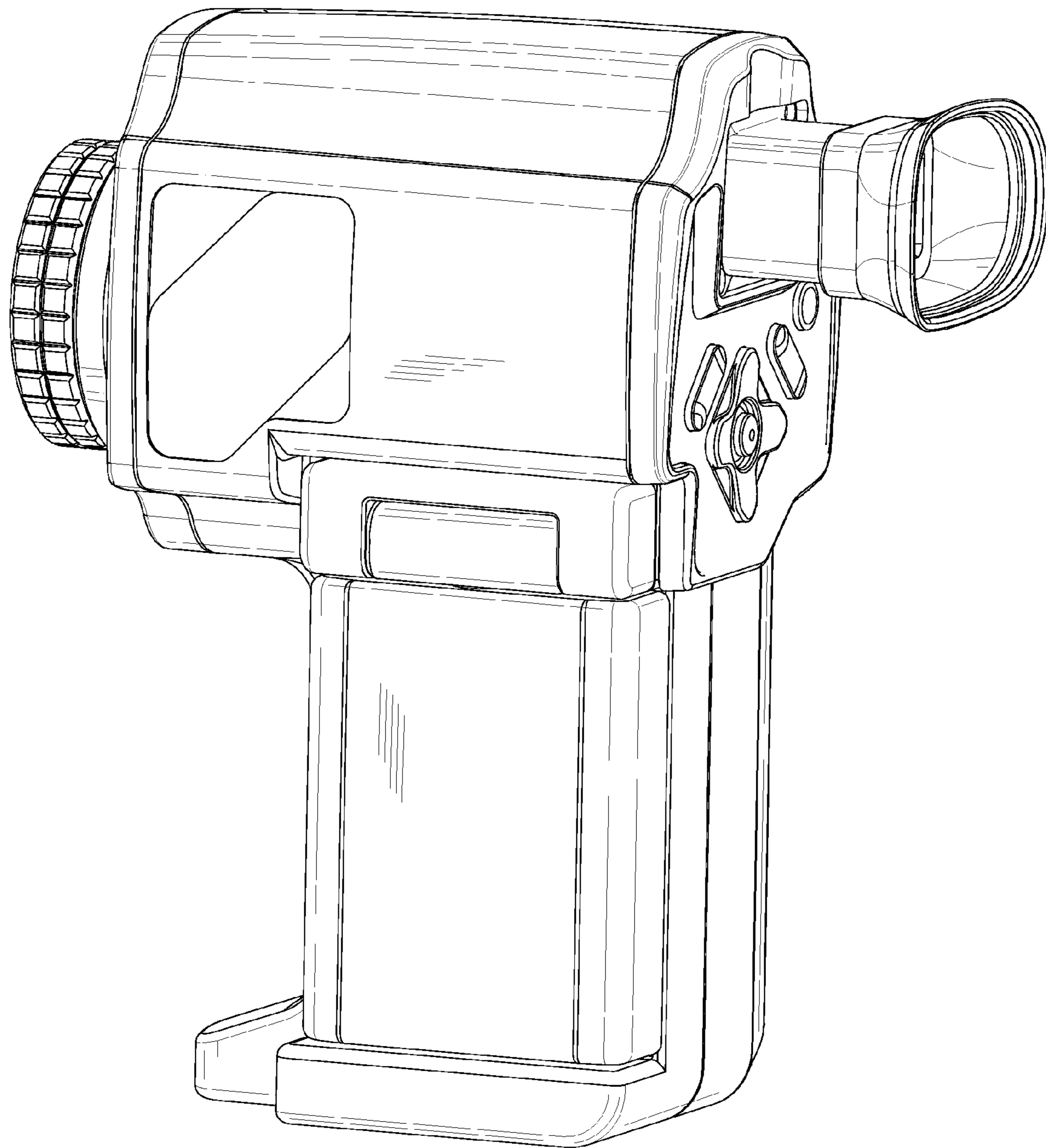


FIG. 1

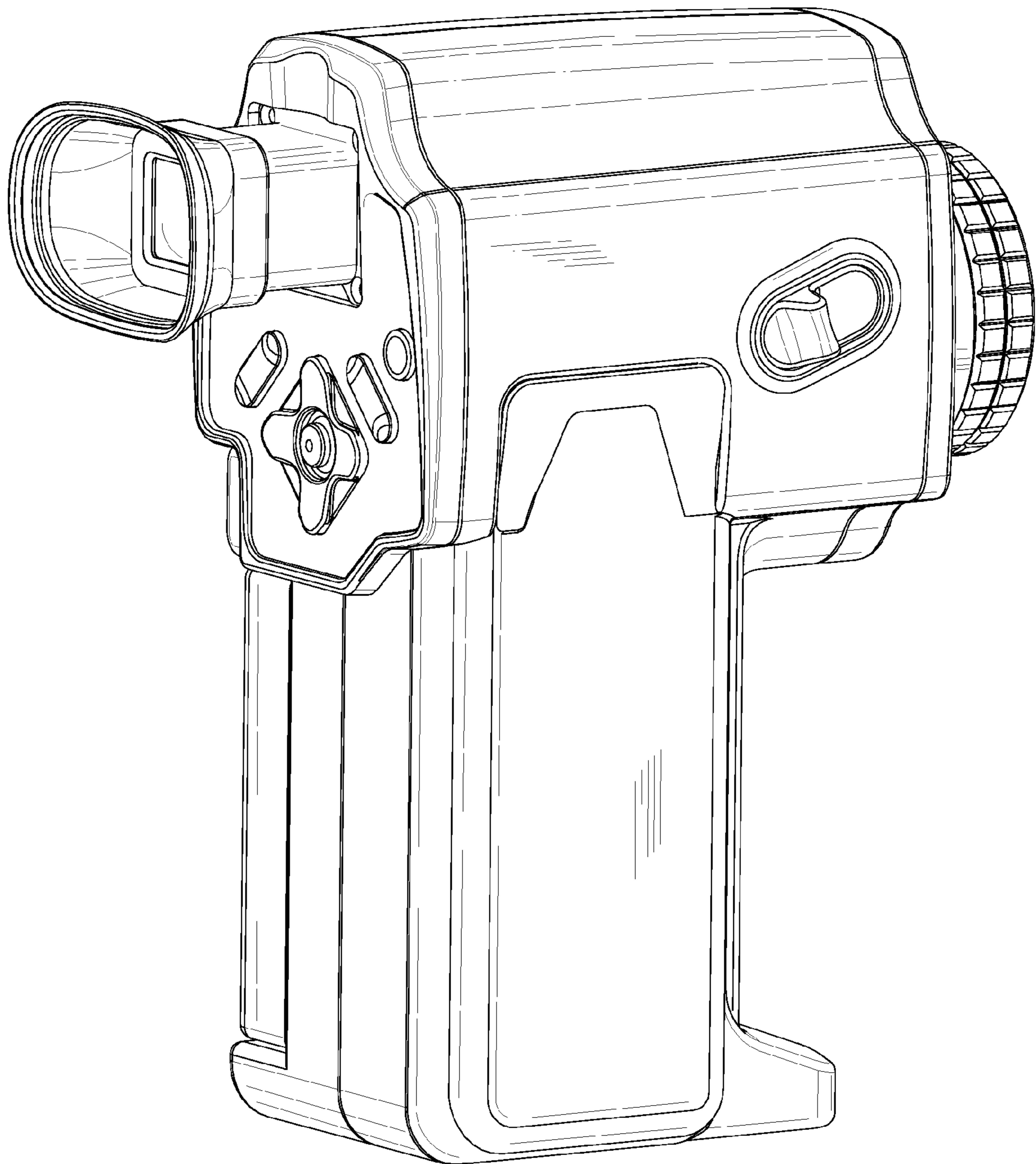


FIG. 2

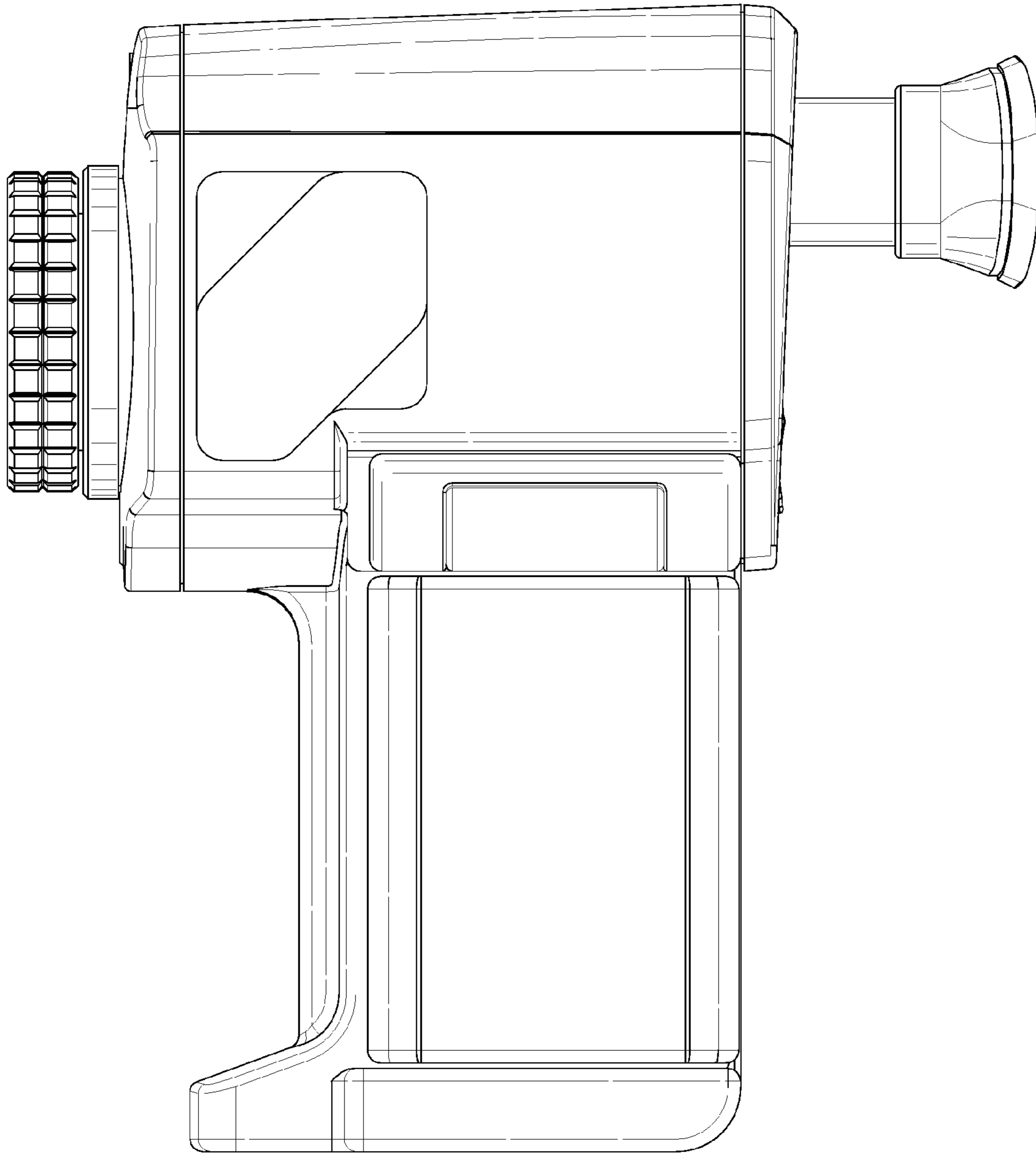


FIG. 3

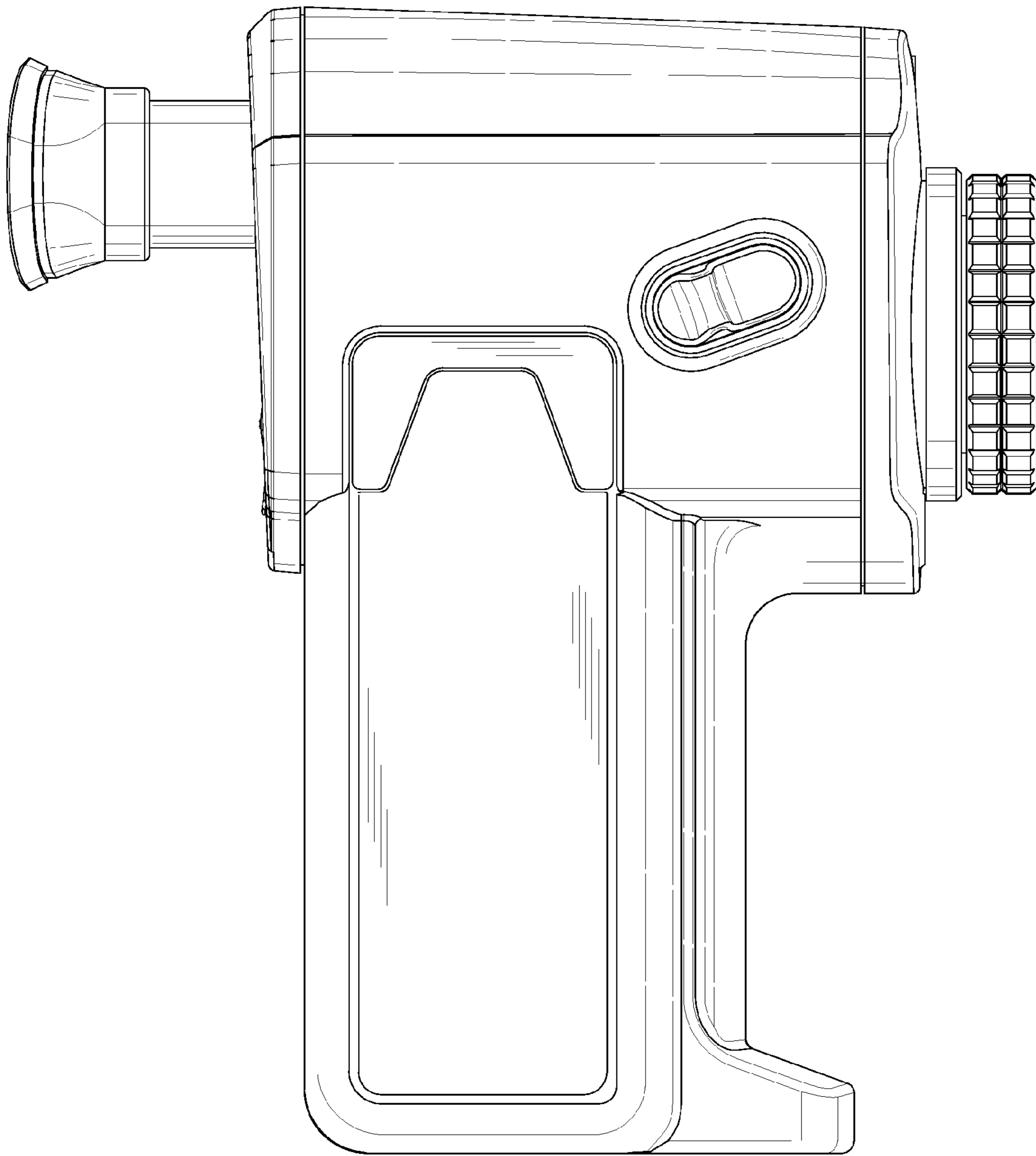


FIG. 4

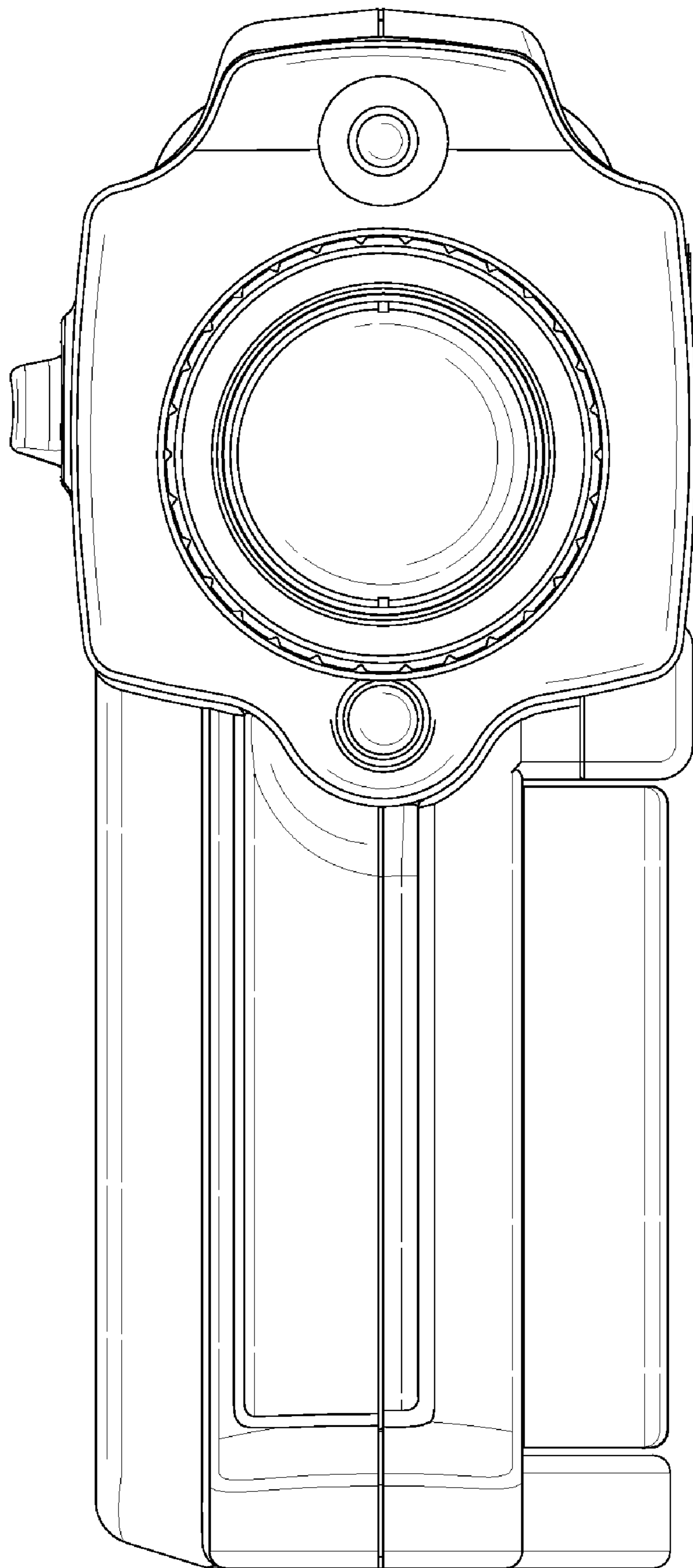


FIG. 5

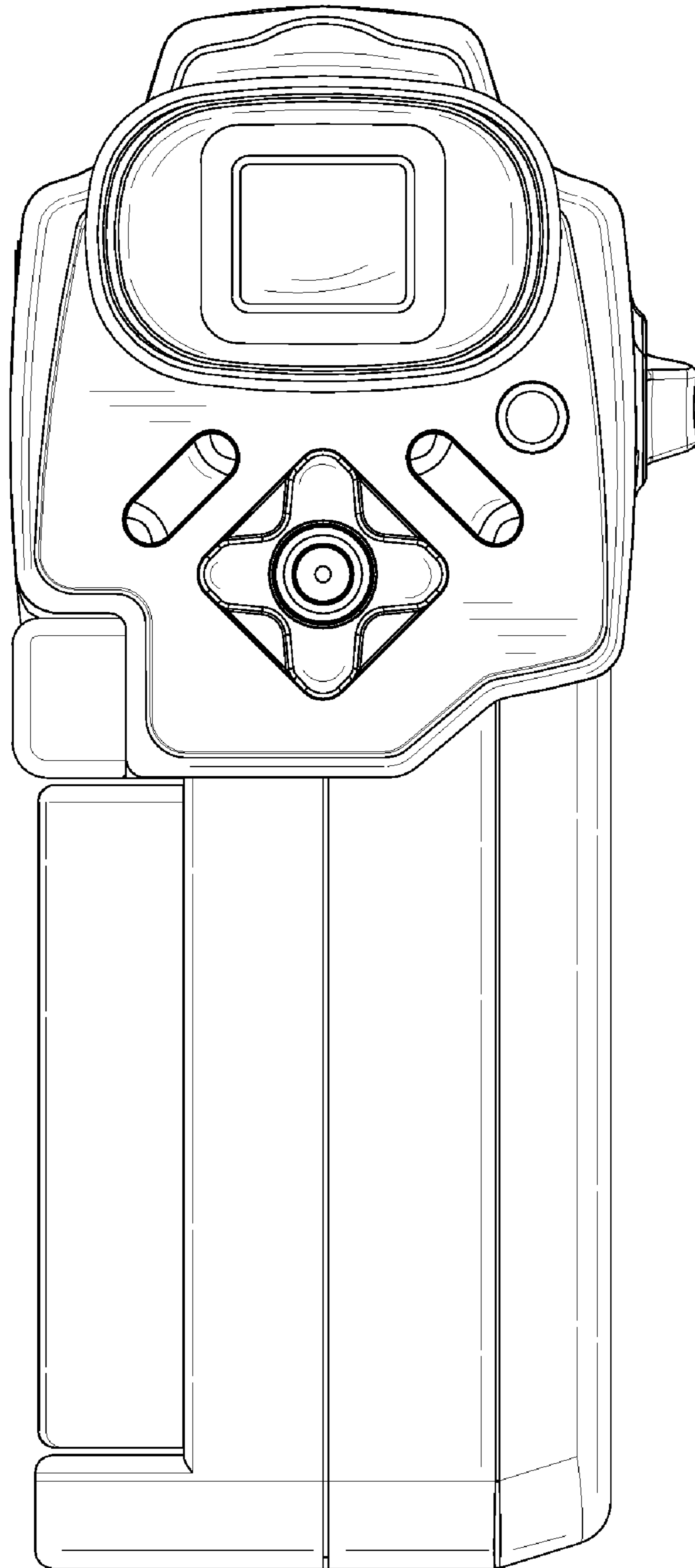


FIG. 6

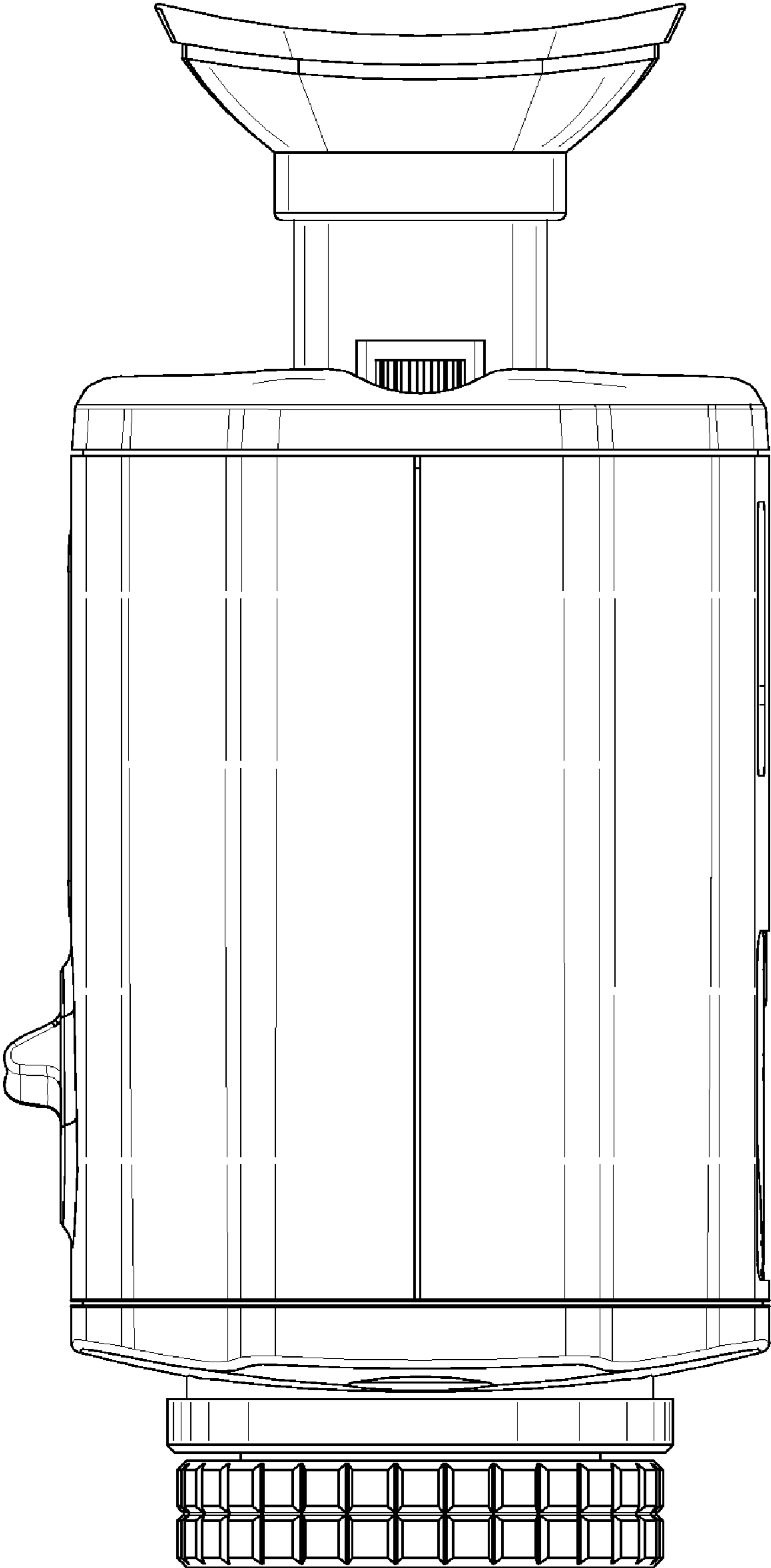


FIG. 7

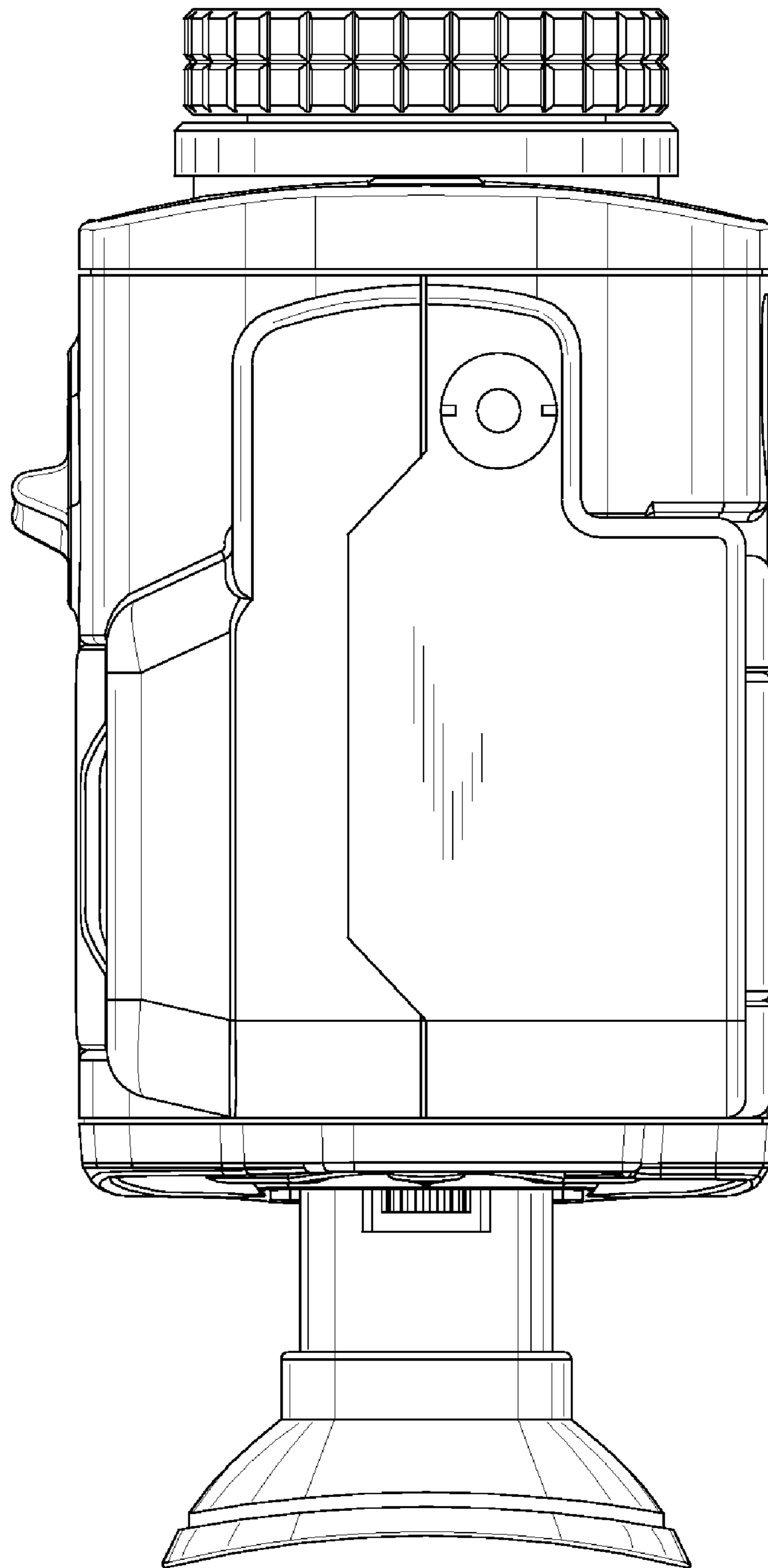


FIG. 8