



US00D557299S

(12) **United States Design Patent**
Marini et al.

(10) **Patent No.:** **US D557,299 S**

(45) **Date of Patent:** **** Dec. 11, 2007**

(54) **FITTING FOR TYRE INFLATION AND TYRE REPAIR**

2004/0159365 A1* 8/2004 Cowan et al. 141/38
2004/0221439 A1* 11/2004 Villarreal 254/1

(75) Inventors: **Maurizio Marini**, Pesaro (IT); **Sergio Lolli**, Pesaro (IT)

* cited by examiner

(73) Assignee: **Tek Global S.R.L.**, Pesaro (IT)

Primary Examiner—Antoine D. Davis

Assistant Examiner—Patricia Palasik

(**) Term: **14 Years**

(74) *Attorney, Agent, or Firm*—Ladas & Parry LLP

(21) Appl. No.: **29/269,240**

(57) **CLAIM**

(22) Filed: **Nov. 24, 2006**

The ornamental design for a fitting for tyre inflation and tyre repair, substantially as shown and described.

(30) **Foreign Application Priority Data**

DESCRIPTION

May 24, 2006 (EM) 000535034

FIG. 1 is a front view of our new design relating to a fitting for tyre inflation and tyre repair;

(51) **LOC (8) Cl.** **15-99**

FIG. 2 is a rear view of our new design;

(52) **U.S. Cl.** **D15/199**

FIG. 3 is a left side view of our new design;

(58) **Field of Classification Search** D8/105,

FIG. 4 is a right side view of our new design;

D8/499; D15/199; 141/38, 67, 100; 152/415
See application file for complete search history.

FIG. 5 is a top view of our new design;

(56) **References Cited**

FIG. 6 is a bottom view of our new design; and,

U.S. PATENT DOCUMENTS

FIG. 7 is a perspective view of our new design.

4,284,451 A * 8/1981 Conley 156/97

The broken line showing of the arrow in the gauge is included for the purpose of illustrating portions of the fitting for tyre inflation and tyre repair and forms no part of the claimed design.

6,155,313 A * 12/2000 Smalley 141/38

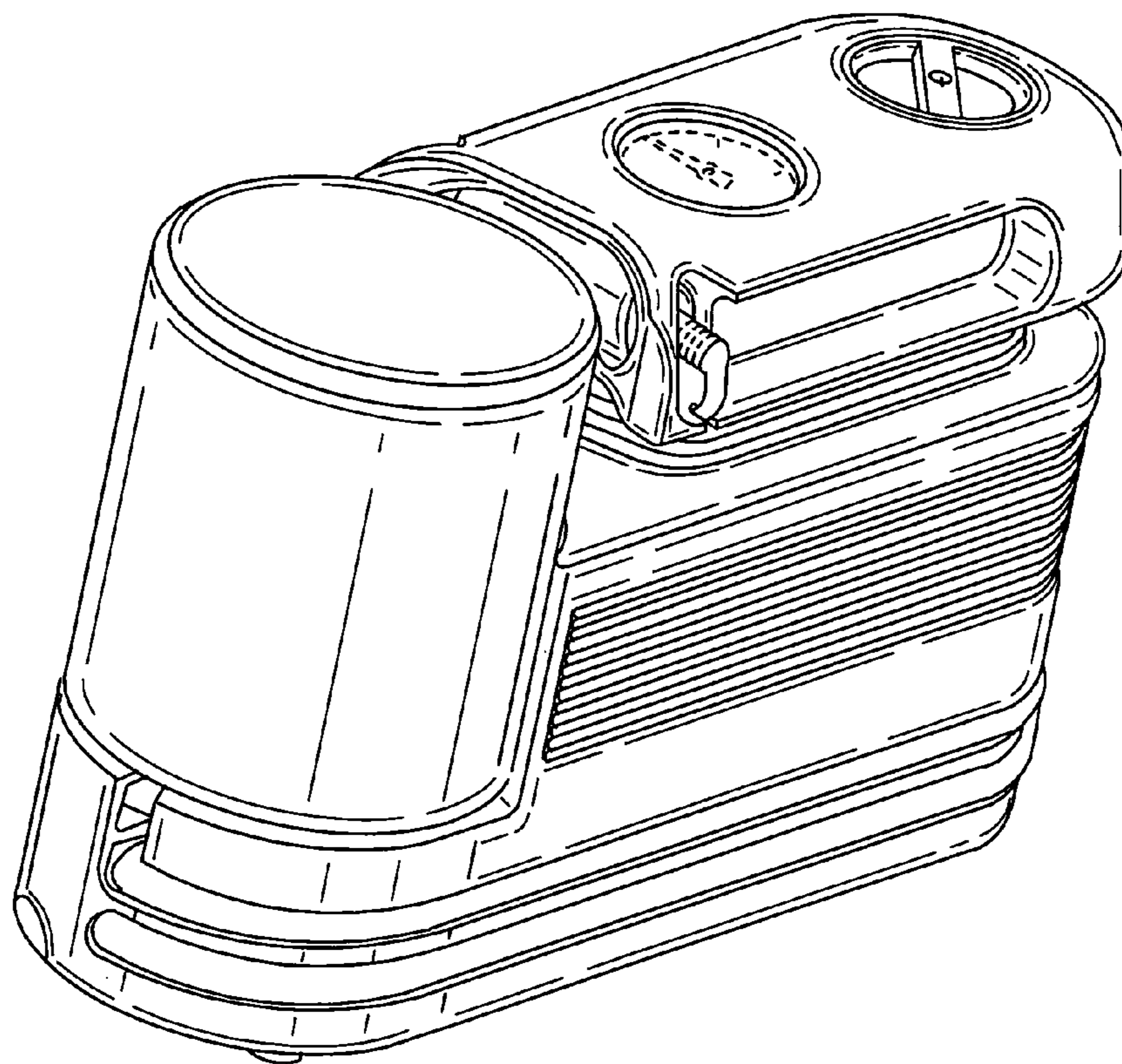
6,283,172 B1 * 9/2001 Thurner 141/38

6,789,581 B2 * 9/2004 Cowan et al. 141/38

D509,838 S * 9/2005 Wong D15/199

D544,895 S * 6/2007 Izumoto et al. D15/199

1 Claim, 4 Drawing Sheets



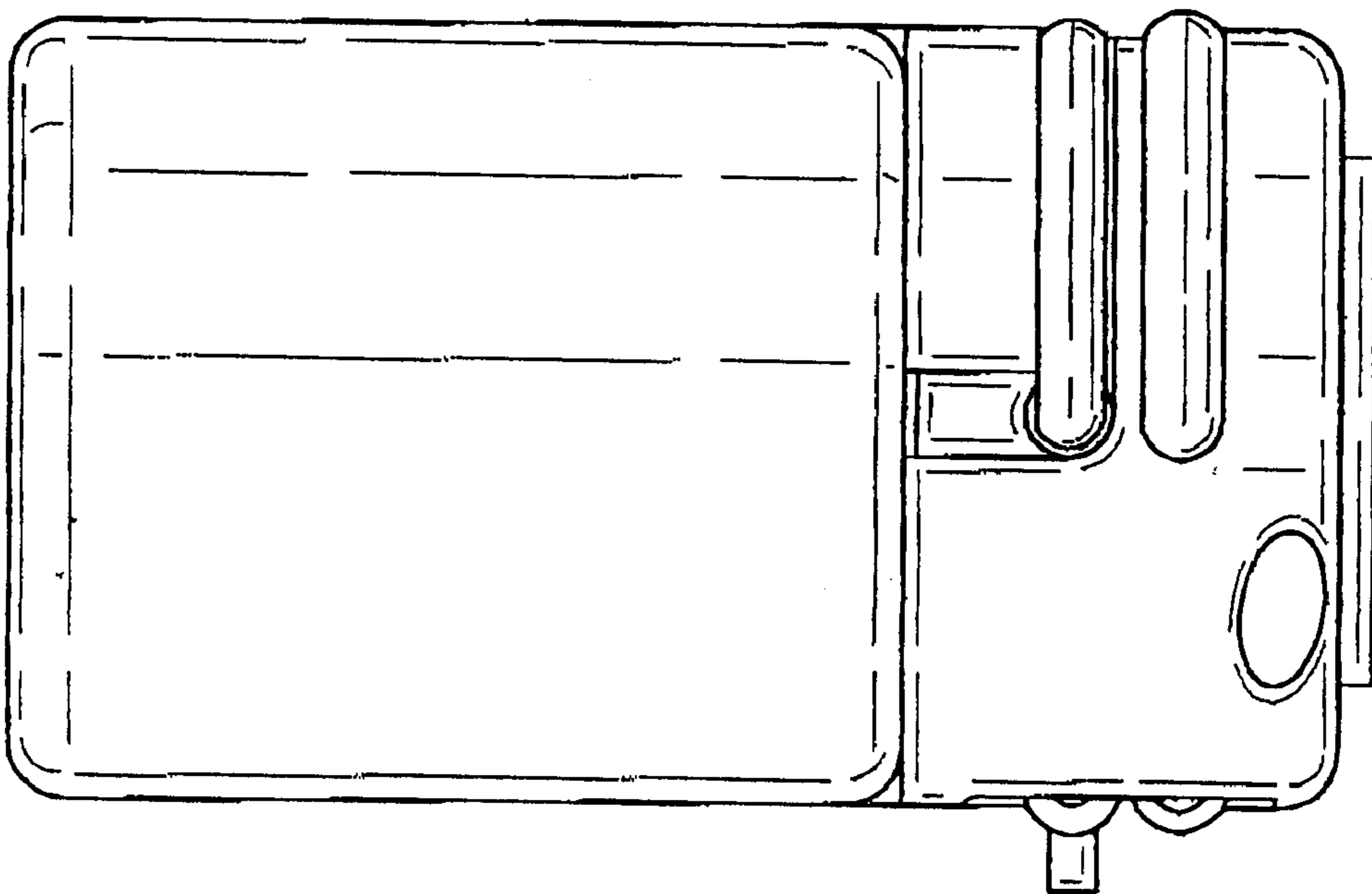


Fig. 1

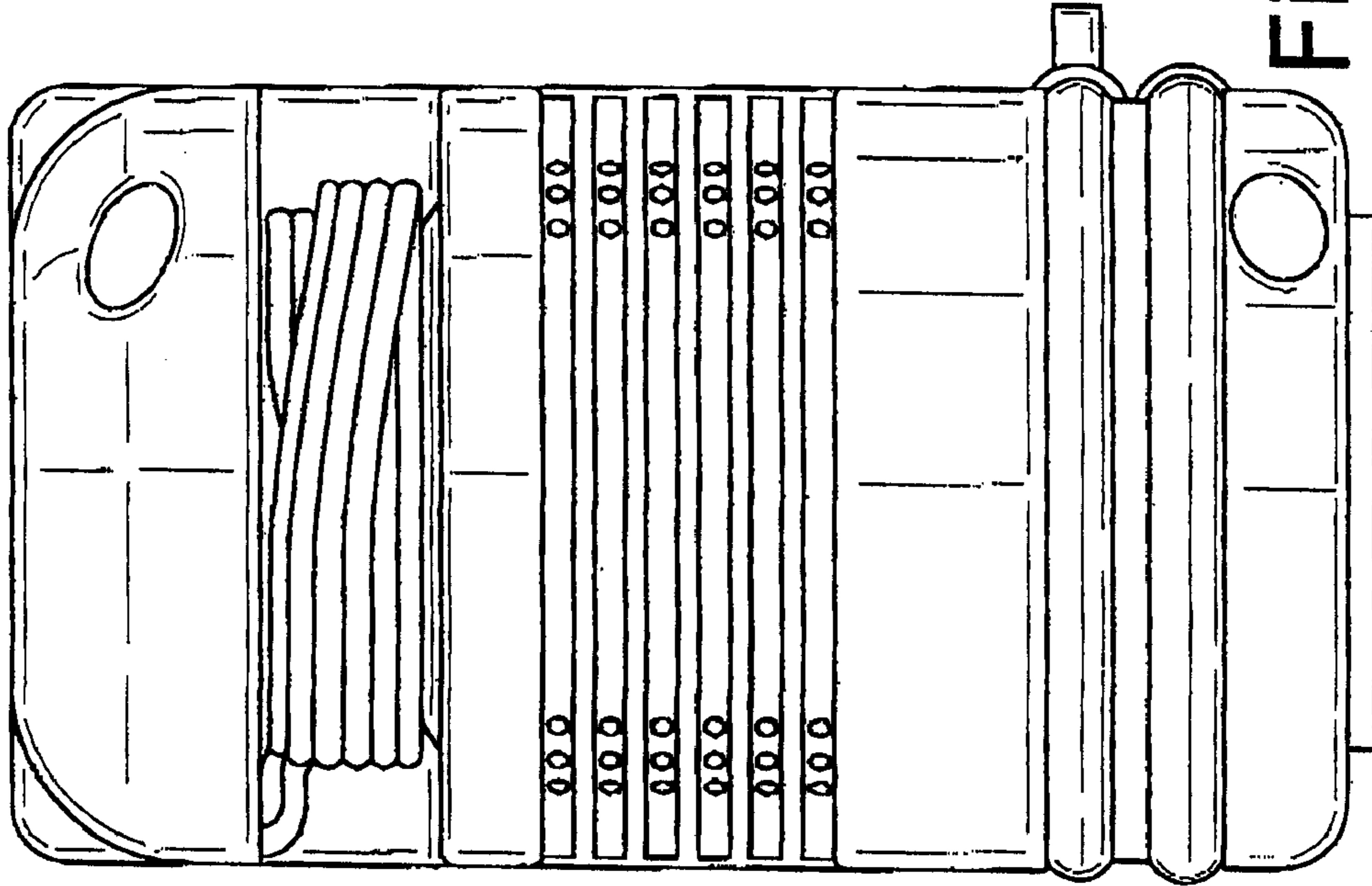


Fig. 2

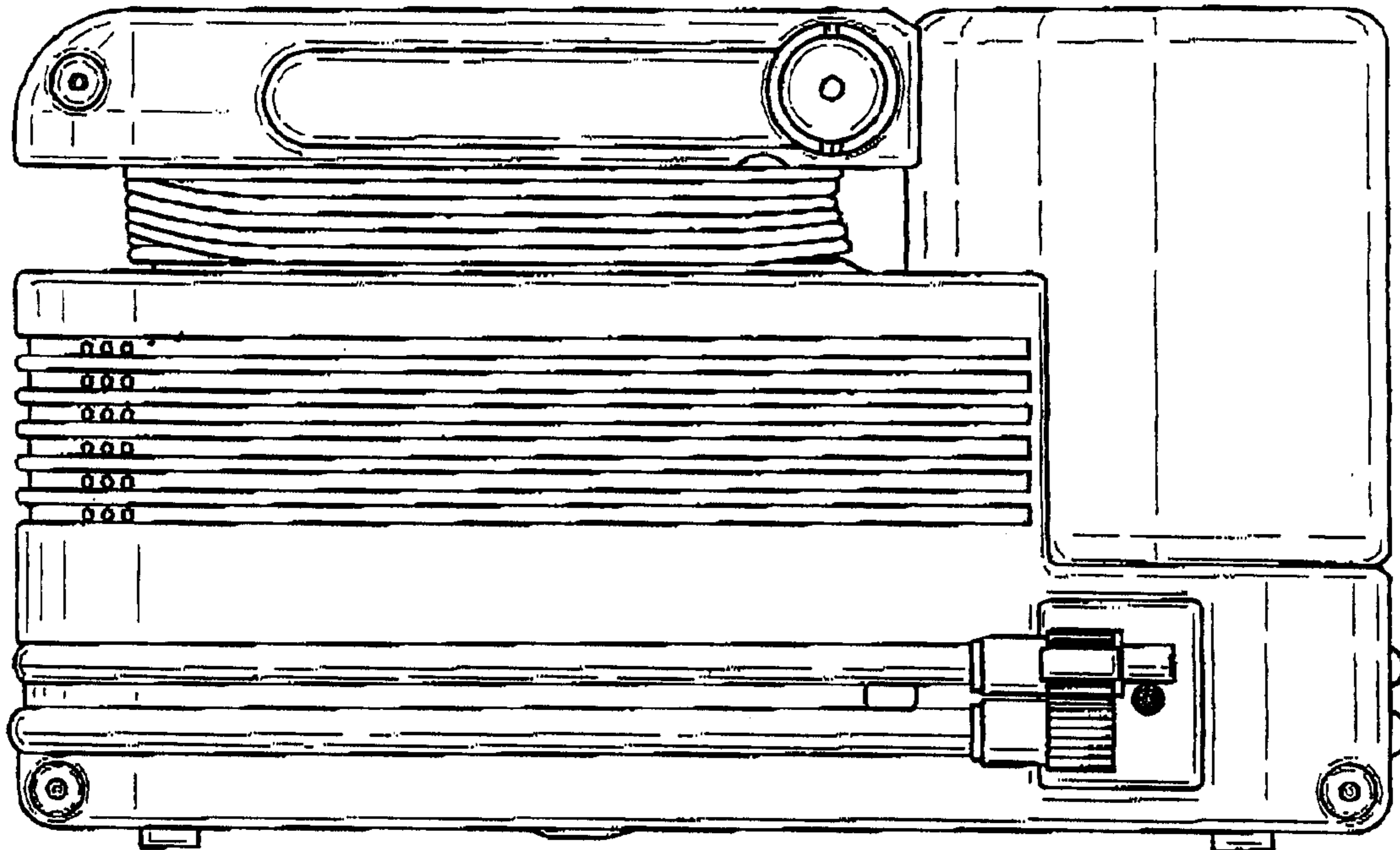


Fig. 3

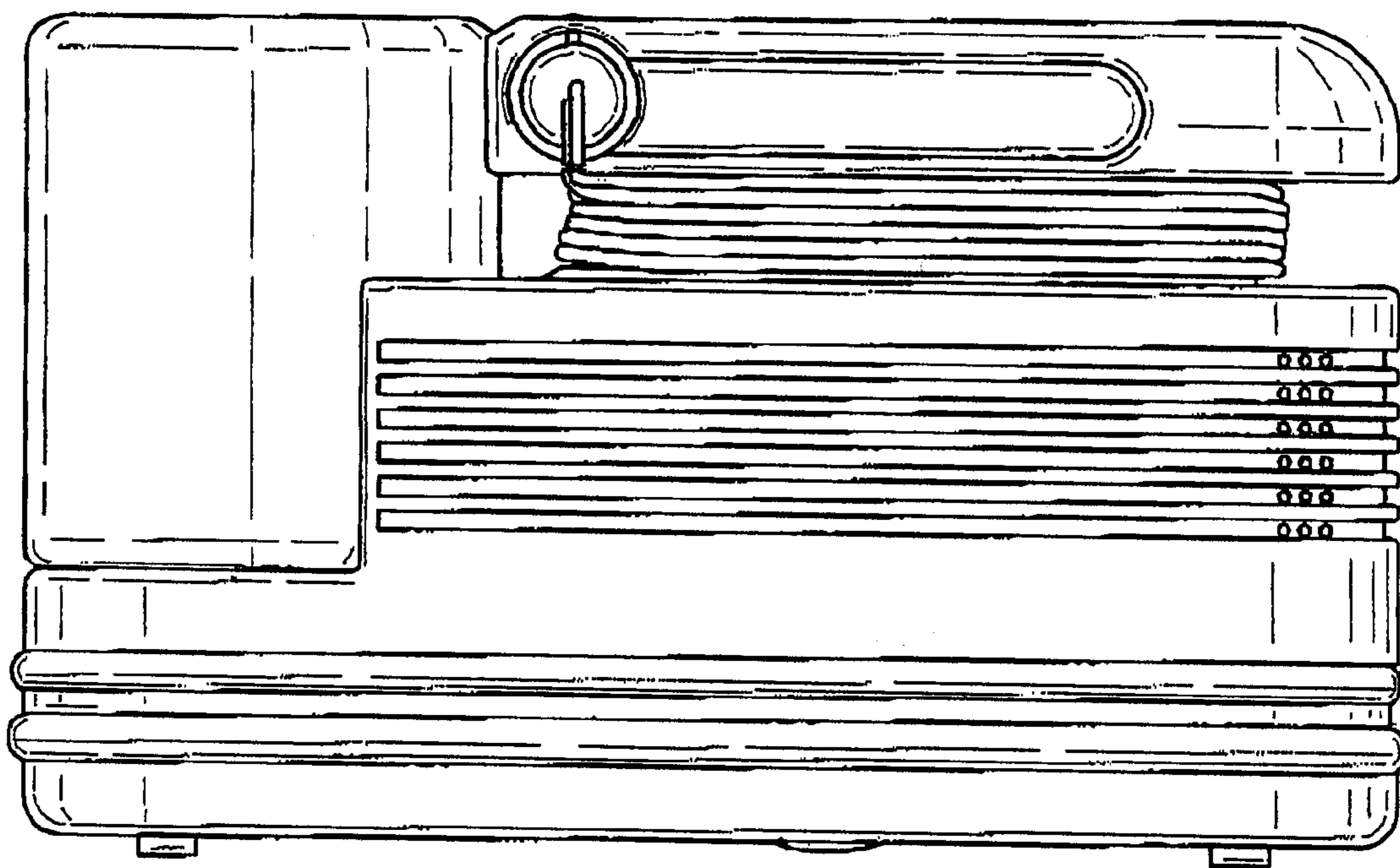


Fig. 4

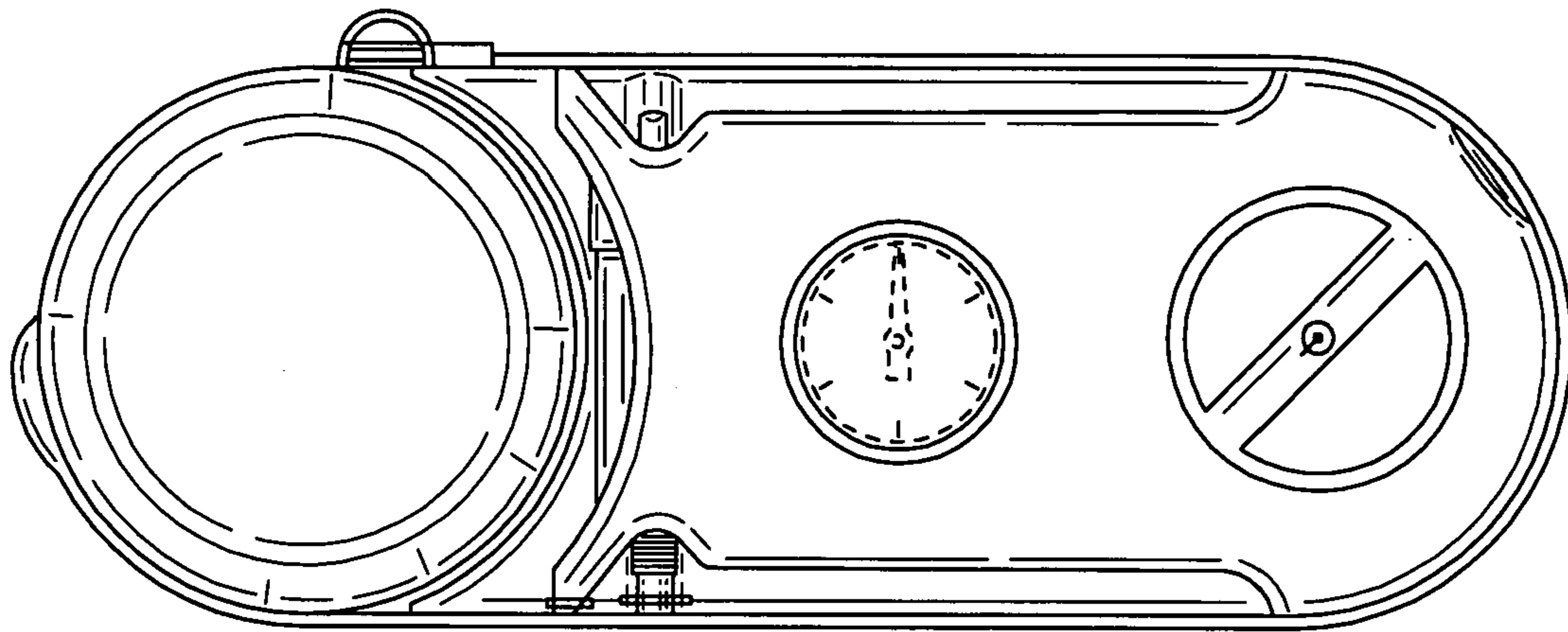


Fig. 5

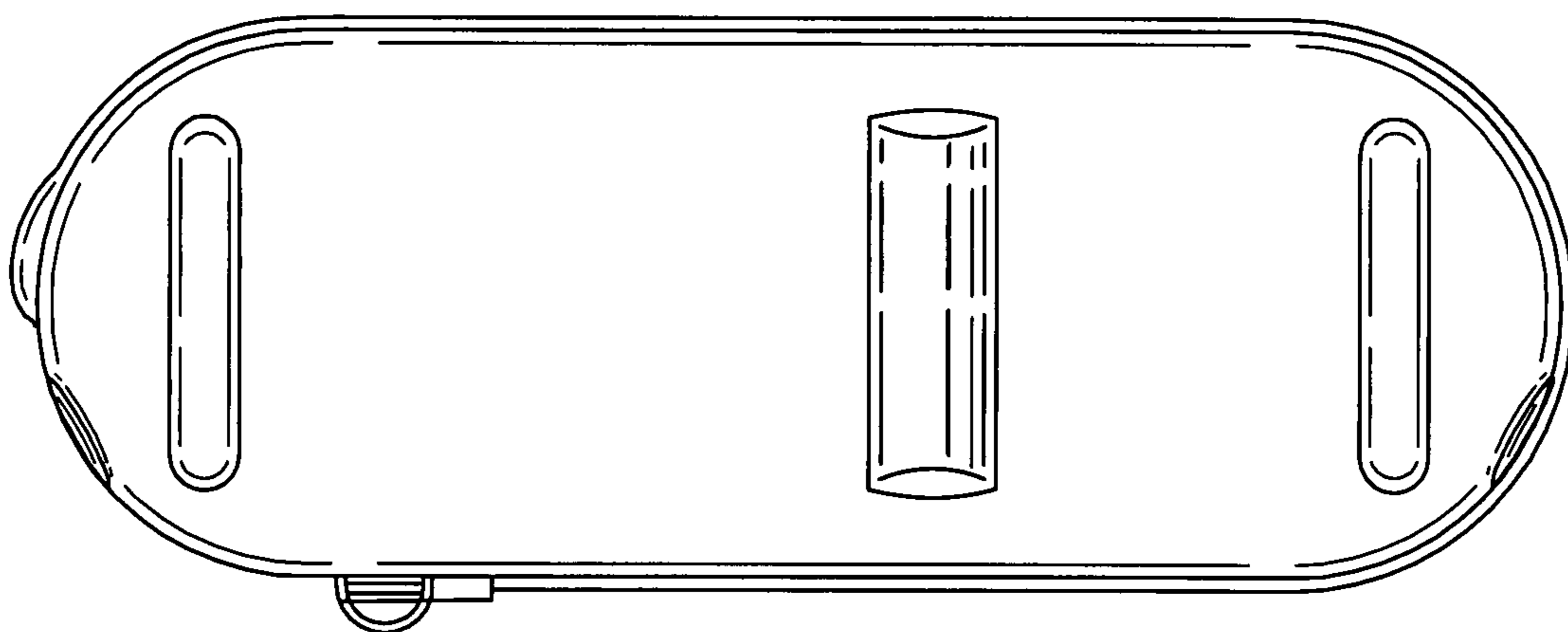


Fig. 6

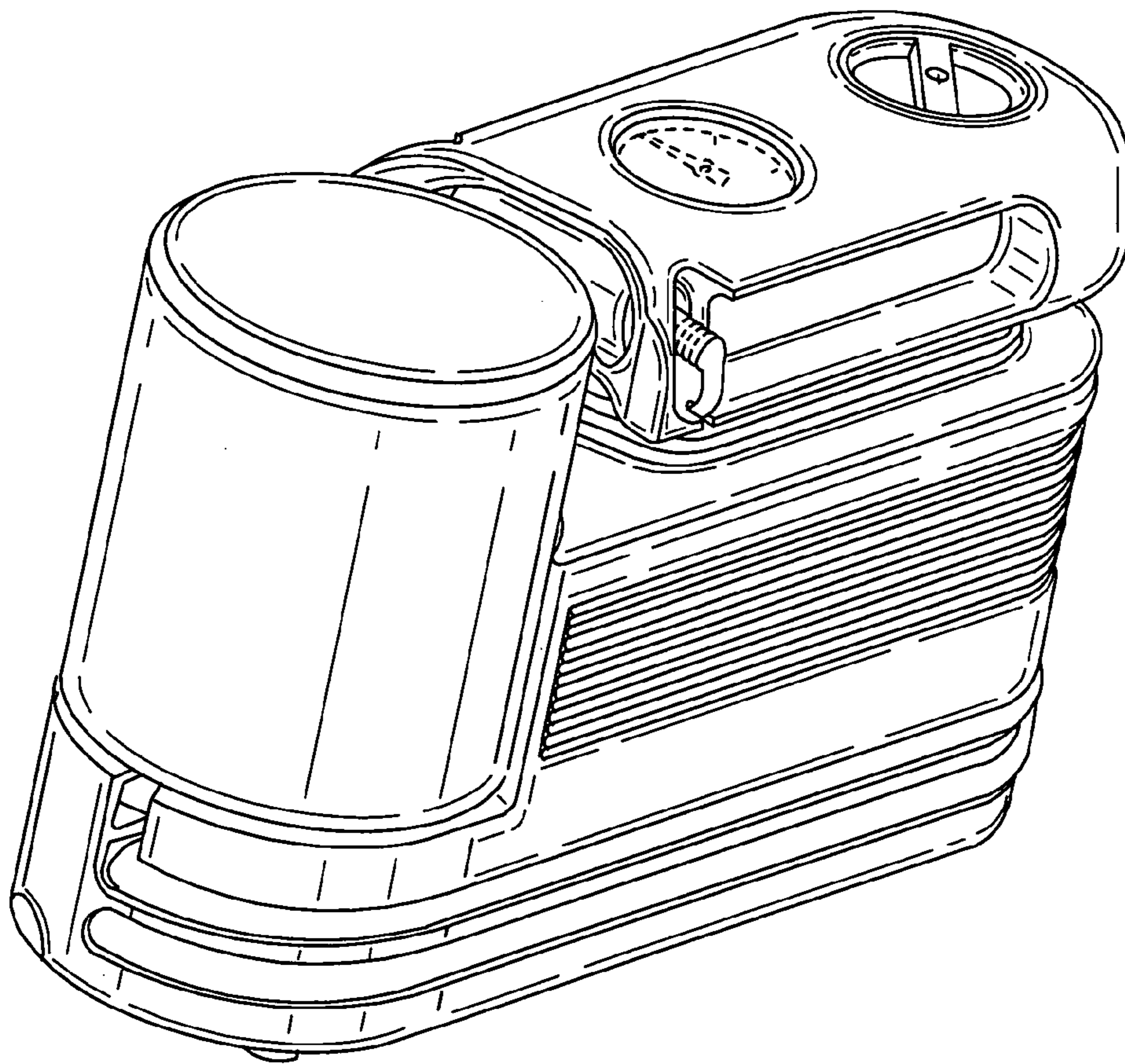


Fig. 7