



US00D557298S

(12) **United States Design Patent**  
**Ingham**

(10) **Patent No.:** **US D557,298 S**

(45) **Date of Patent:** **\*\* Dec. 11, 2007**

(54) **YOKE AND SLIDE BEARING ASSEMBLY**

2006/0093246 A1\* 5/2006 Akita et al. .... 384/279

(76) Inventor: **John W. Ingham**, 13610 Mt. Whitney,  
Reno, NV (US) 89506

\* cited by examiner

*Primary Examiner*—Gary D. Watson

*Assistant Examiner*—Patricia Palasik

(\*\*) Term: **14 Years**

(21) Appl. No.: **29/288,060**

(57) **CLAIM**

(22) Filed: **May 29, 2007**

The ornamental design for a yoke and slide bearing assembly, as shown and described.

(51) **LOC (8) Cl.** ..... **15-09**

(52) **U.S. Cl.** ..... **D15/143**

(58) **Field of Classification Search** ..... D15/1-5,  
D15/143; 384/295, 428-444, 448, 474, 478,  
384/541, 548, 549, 584

See application file for complete search history.

**DESCRIPTION**

My “yoke and slide bearing assembly” is characterized for use with a standard rod and crank.

FIG. 1 is a perspective overview of my new “yolk and slide bearing assembly”

FIG. 2 is a front view of my new “yoke and slide bearing assembly”

FIG. 3 is a top view of my new “yoke and slide bearing assembly”

FIG. 4 is a bottom view of my new “yoke and slide bearing assembly”; and,

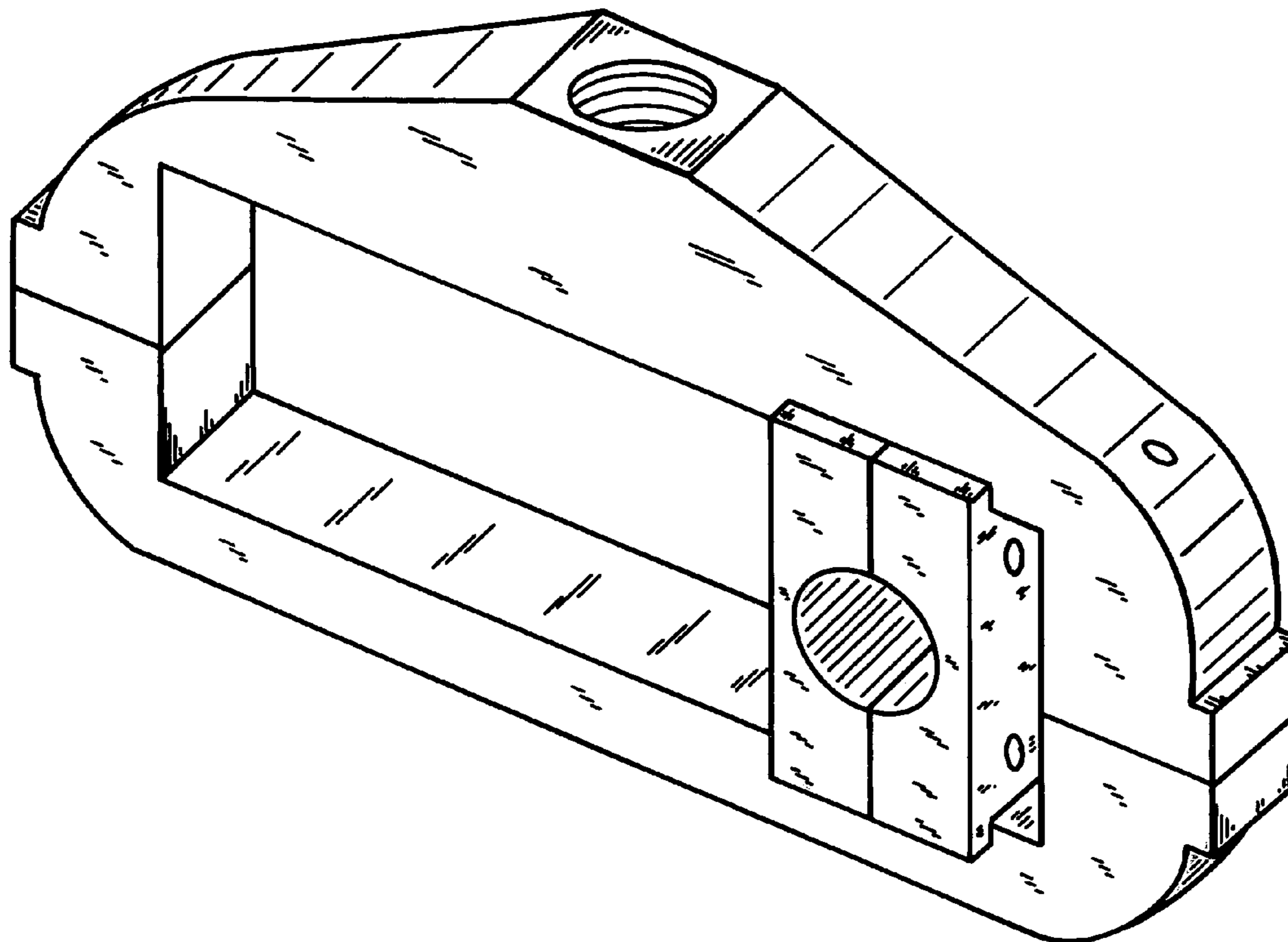
FIG. 5 is a right side view of my new “yoke and slide bearing assembly,” the left side view being a mirror image thereof.

(56) **References Cited**

**U.S. PATENT DOCUMENTS**

2,693,093	A *	11/1954	Cutting	.....	464/130
4,296,978	A *	10/1981	Loser et al.	.....	384/441
D272,912	S *	3/1984	Dawes	.....	D15/143
5,017,868	A *	5/1991	Hajzler	.....	324/207.22
D335,882	S *	5/1993	Falcon	.....	D15/5
D341,605	S *	11/1993	Waskiewicz	.....	D15/143
D367,069	S *	2/1996	Thom et al.	.....	D15/143

**1 Claim, 3 Drawing Sheets**



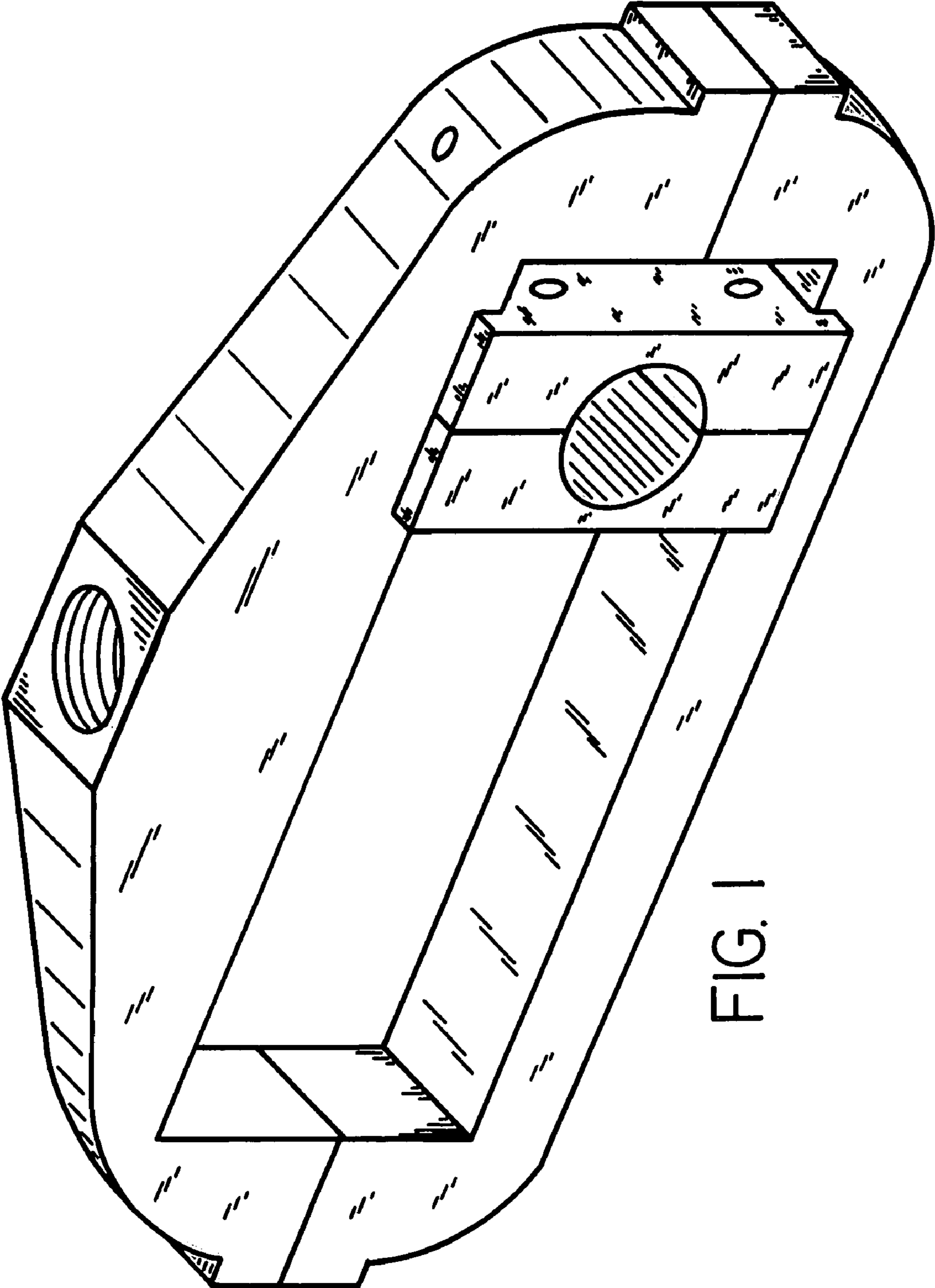


FIG. 1

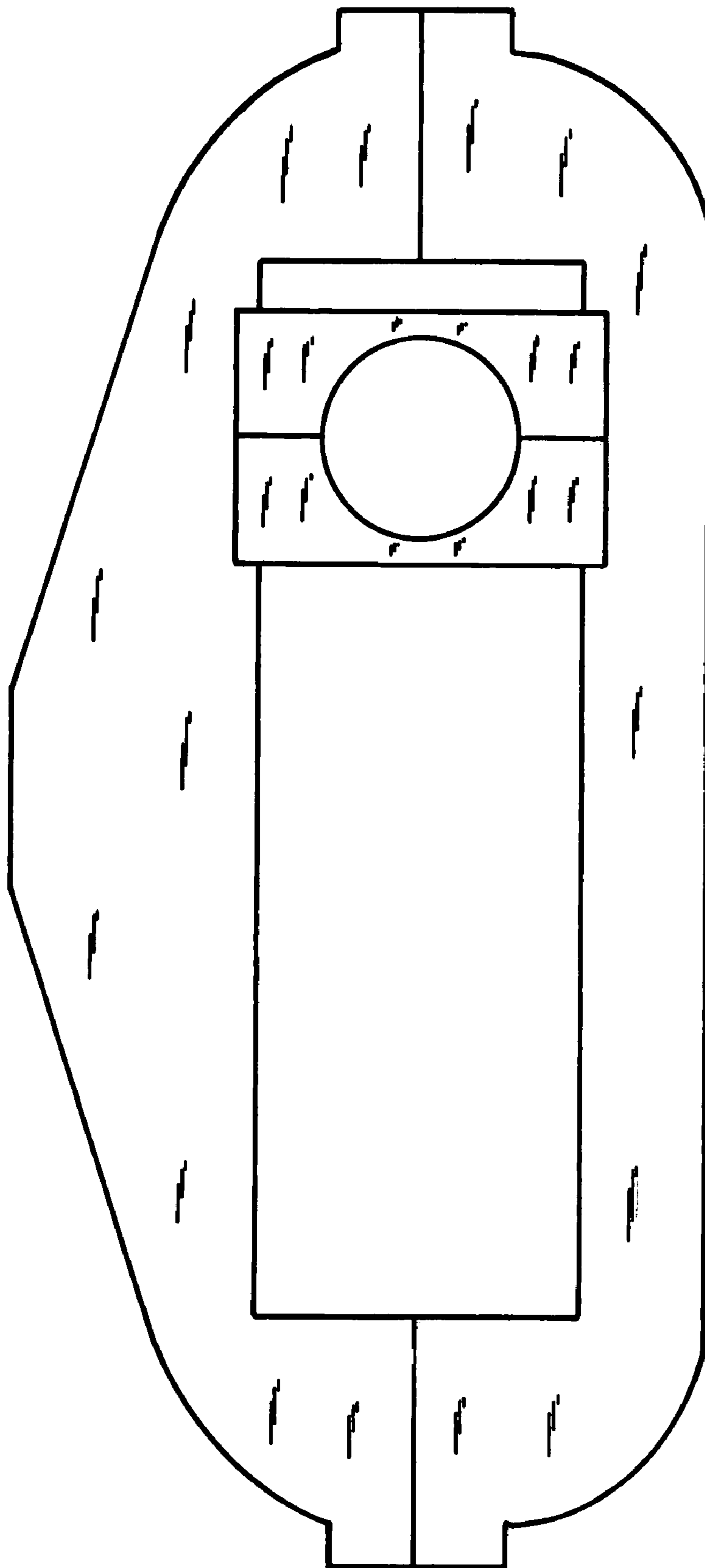


FIG. 2

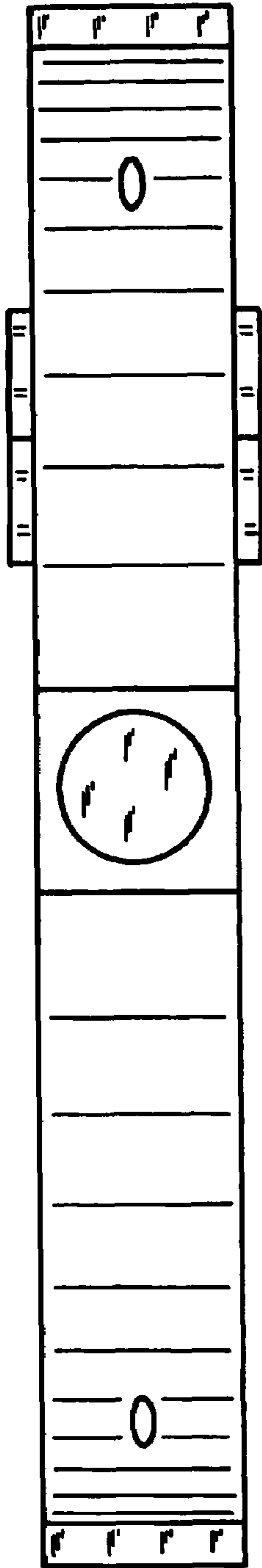


FIG. 3

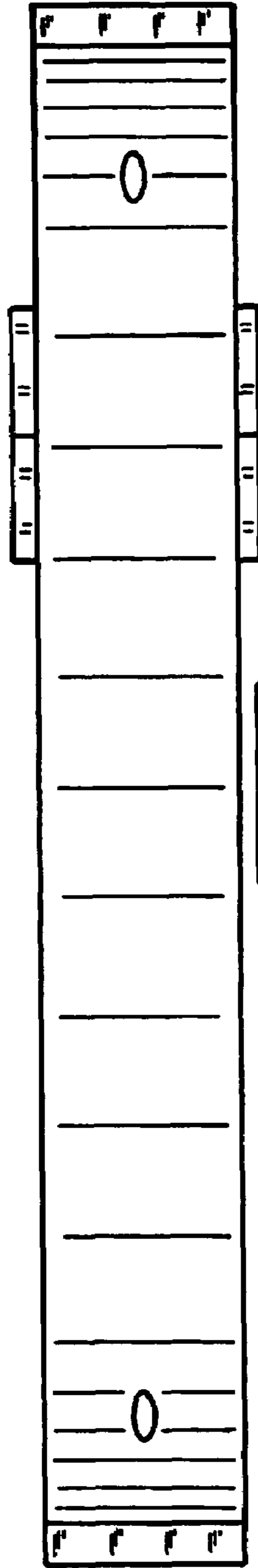


FIG. 4

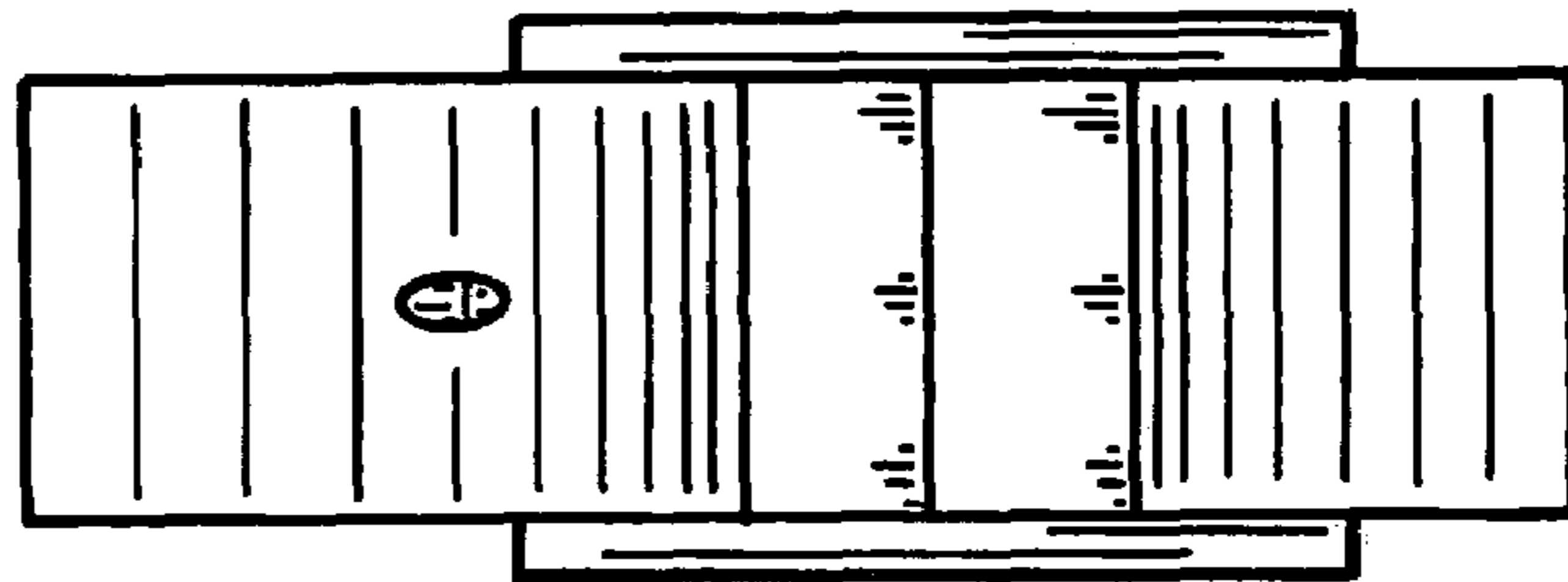


FIG. 5