



US00D557297S

(12) **United States Design Patent**
Evans

(10) **Patent No.:** **US D557,297 S**

(45) **Date of Patent:** **** Dec. 11, 2007**

(54) **MINING CORE CHOCK**

(76) Inventor: **Donald L. Evans**, 9698 Shadowstone Way, Reno, NV (US) 89521

(**) Term: **14 Years**

(21) Appl. No.: **29/285,180**

(22) Filed: **Mar. 22, 2007**

(51) **LOC (8) Cl.** **15-09**

(52) **U.S. Cl.** **D15/141; D15/21**

(58) **Field of Classification Search** D8/349, D8/382; D15/21, 131, 138, 140, 141; 61/45 D; 188/53; 248/357; 299/33; 405/291-301
See application file for complete search history.

(56) **References Cited**

U.S. PATENT DOCUMENTS

1,576,846	A *	3/1926	Pomfret	249/31
3,858,690	A *	1/1975	Facemire	188/32
3,991,579	A *	11/1976	Deffontaine	405/299
4,041,714	A *	8/1977	Allen	405/293
4,154,038	A *	5/1979	Kostecky	52/301
4,557,290	A *	12/1985	Chanal et al.	137/510
4,688,968	A *	8/1987	Fanget	405/296
4,917,219	A *	4/1990	Henry	188/32
5,681,021	A *	10/1997	Noll	248/357

6,978,865 B2 * 12/2005 Fougere 188/4 R
2007/0051923 A1 * 3/2007 Jones 252/301.36

* cited by examiner

Primary Examiner—Gary D. Watson

Assistant Examiner—Patricia Palasik

(74) *Attorney, Agent, or Firm*—George W. Wasson

(57) **CLAIM**

The ornamental design for a mining core chock, as shown and described.

DESCRIPTION

FIG. 1 is a perspective view of the mining core chock looking from above and from right to left.

FIG. 2 is a perspective view of the mining core chock looking from below and from left to right.

FIG. 3 is a front elevation view of FIG. 1.

FIG. 4 is a rear elevation view of FIG. 2.

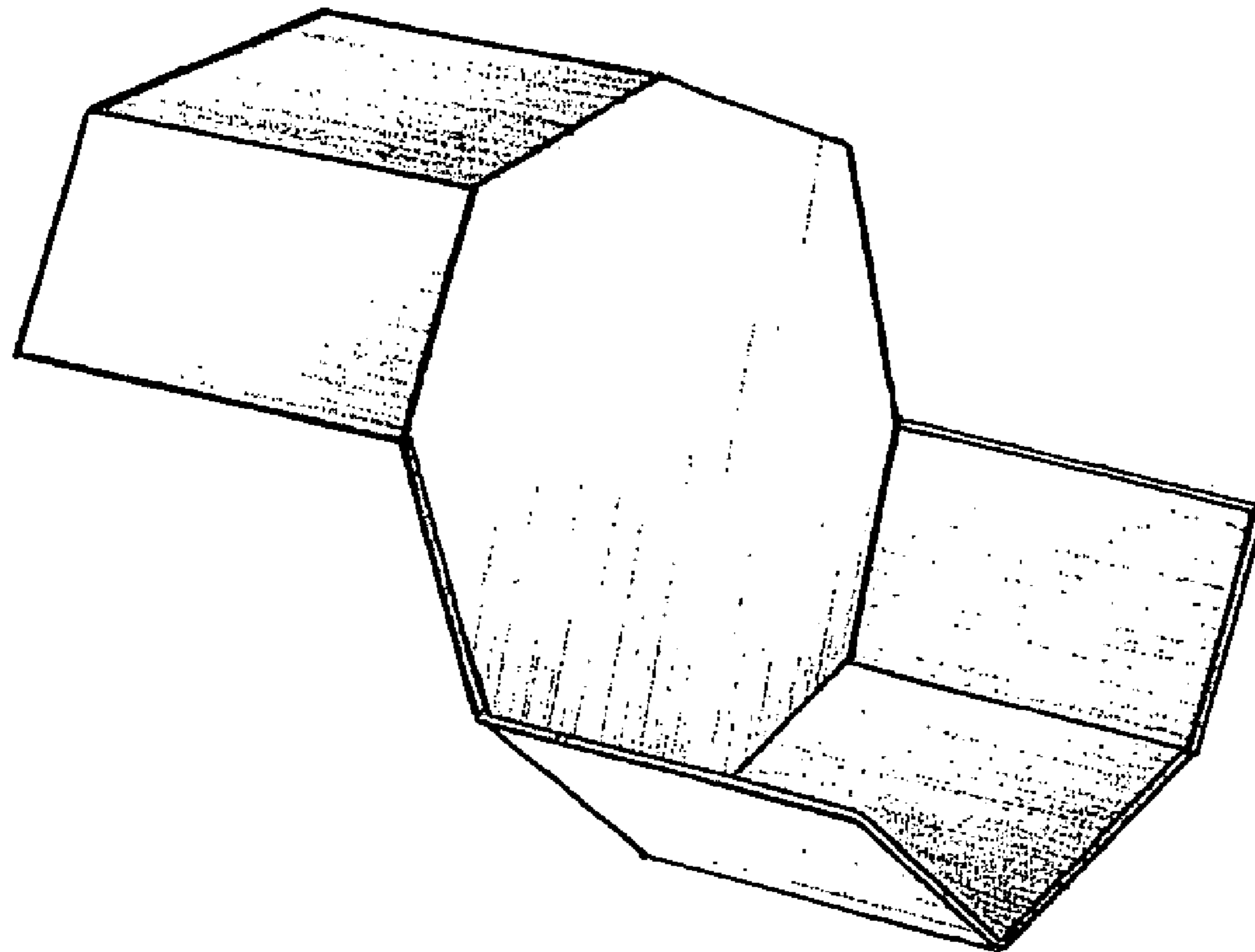
FIG. 5 is a top plan view of FIGS. 3 or 4;

FIG. 6 is a bottom plan view of FIGS. 3 or 4.

FIG. 7 is a left side view of FIG. 3; and,

FIG. 8 is a right side view of FIG. 3.

1 Claim, 2 Drawing Sheets



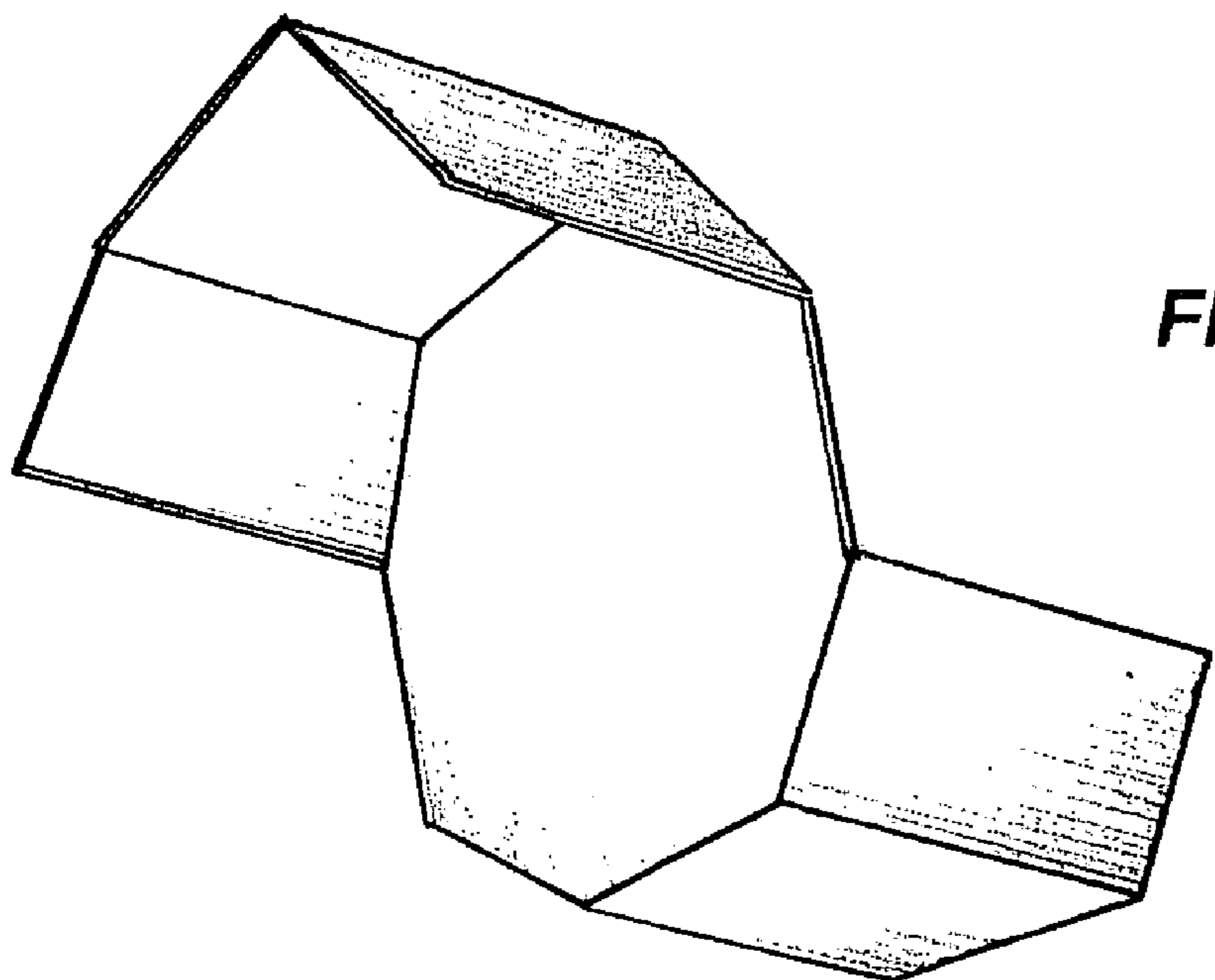
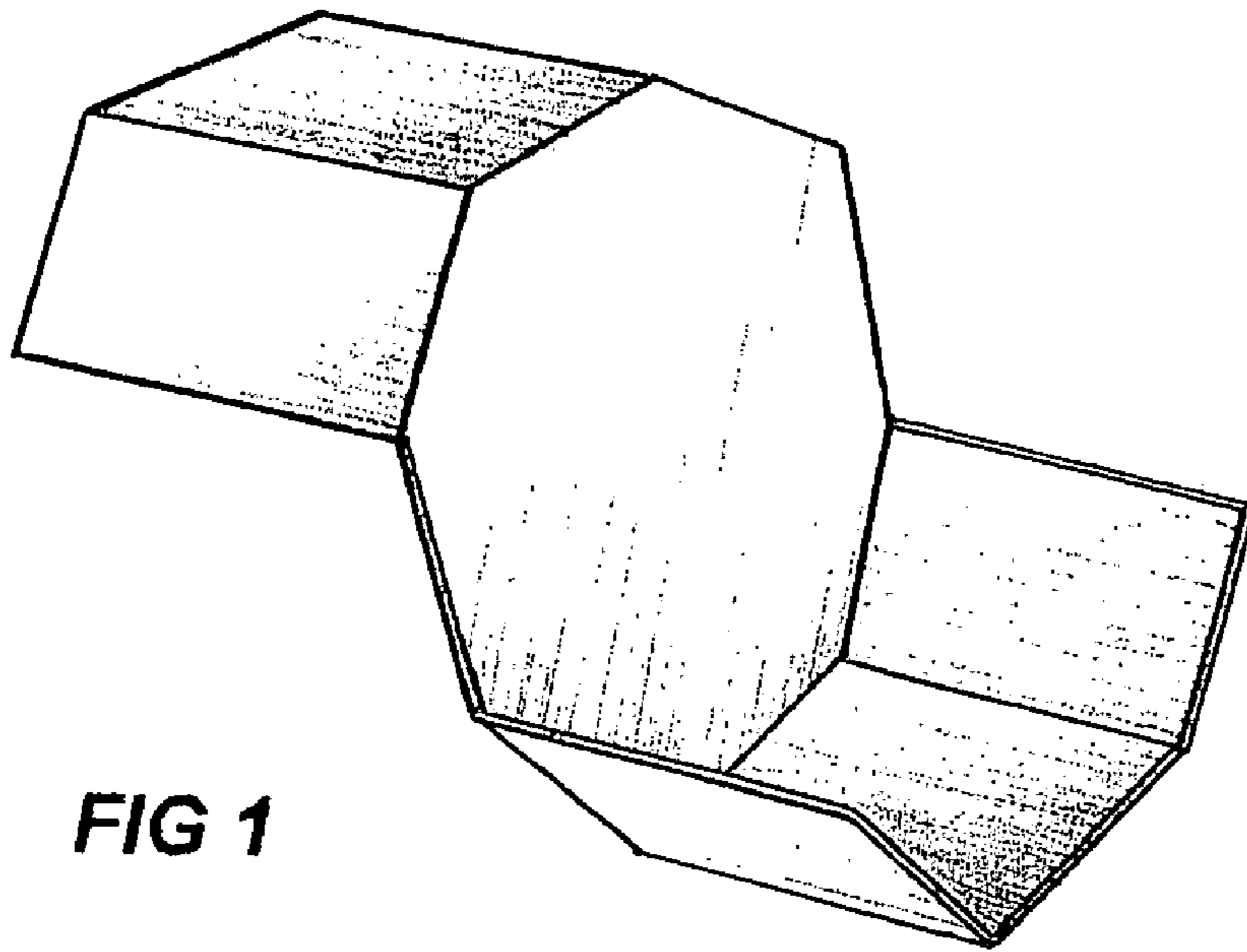


FIG 5

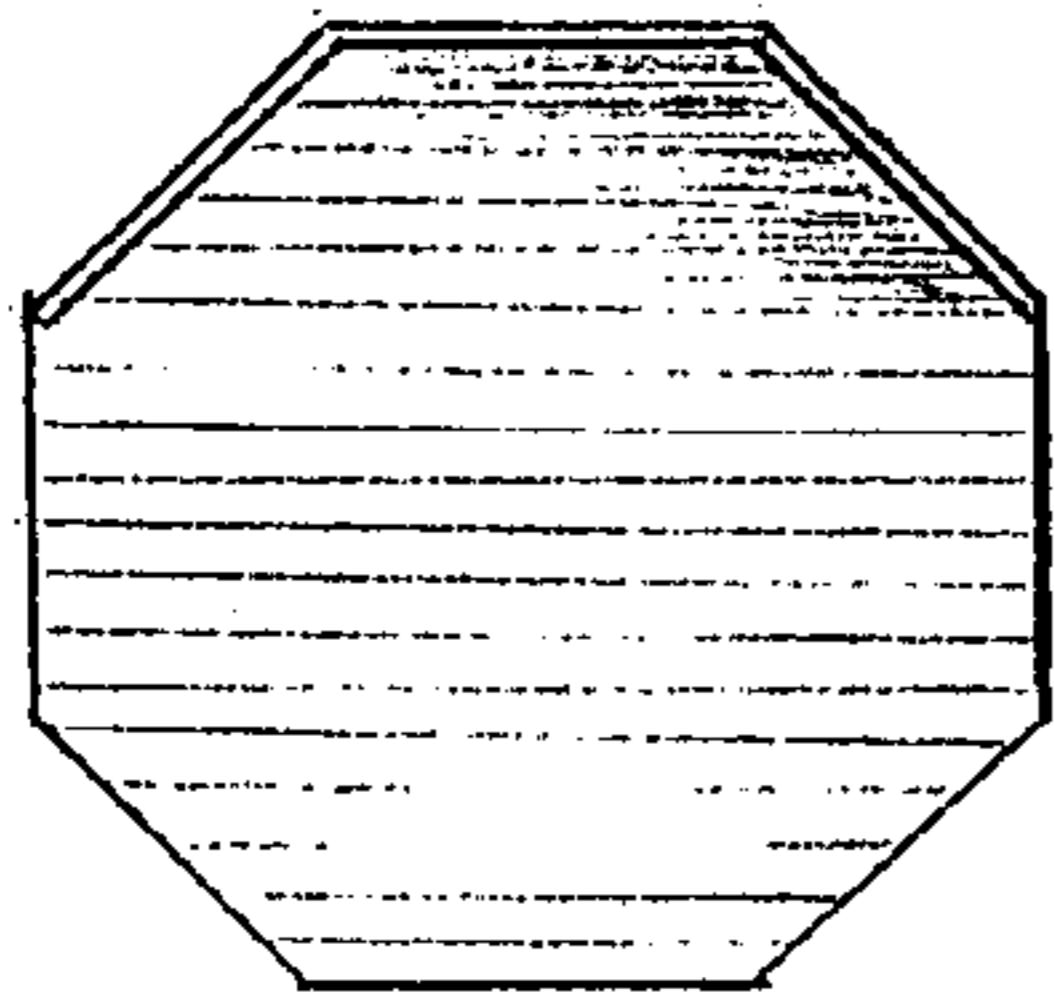
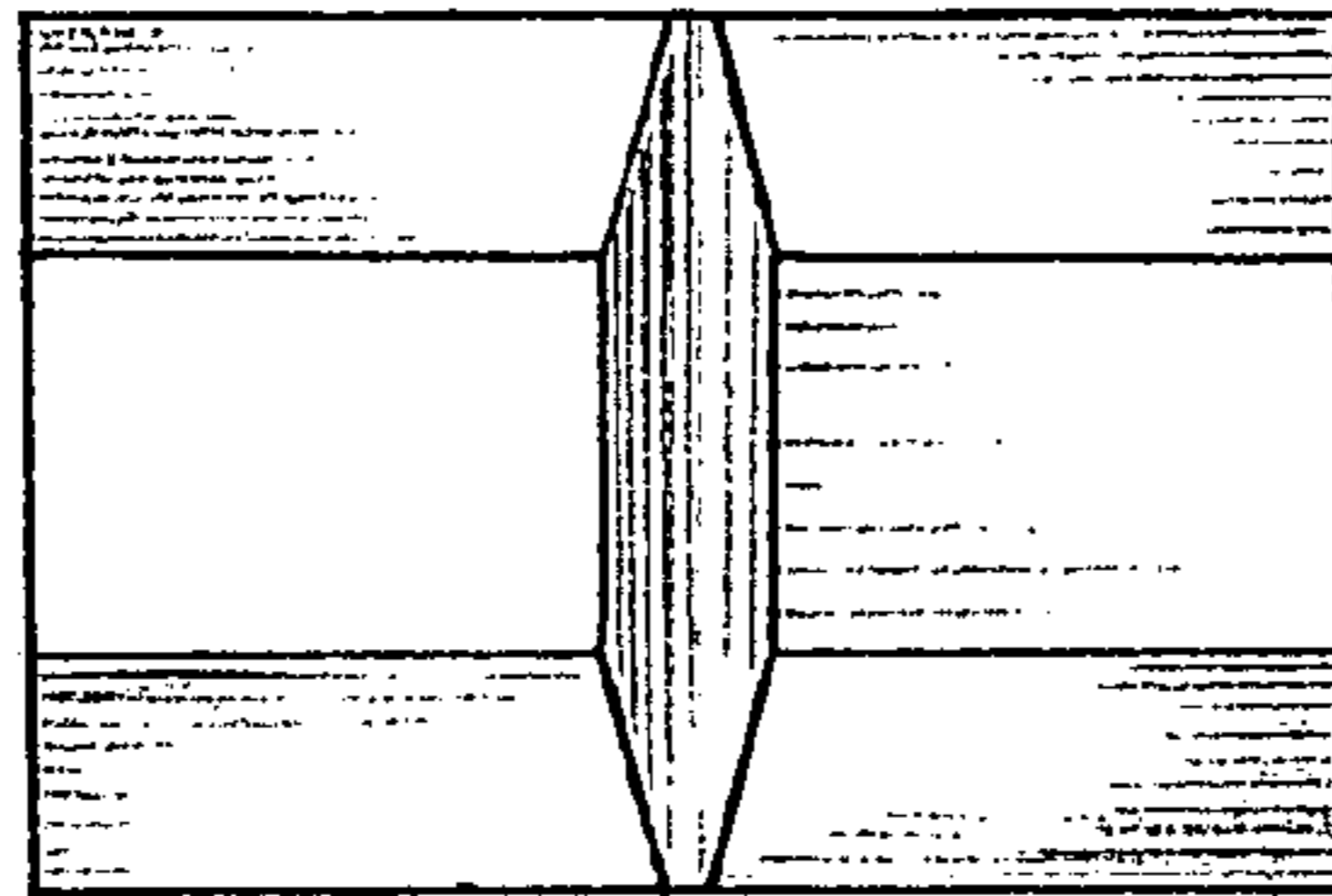


FIG 7

FIG 3

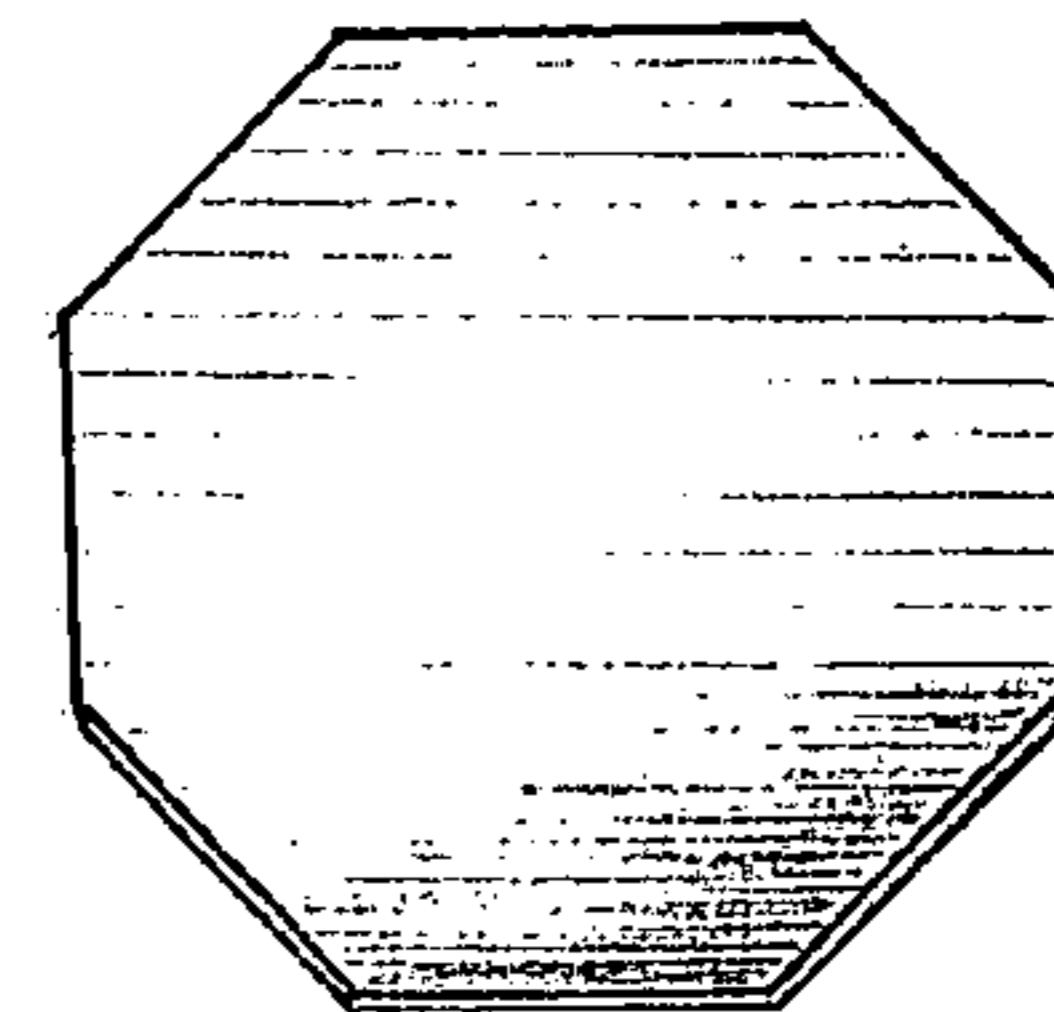
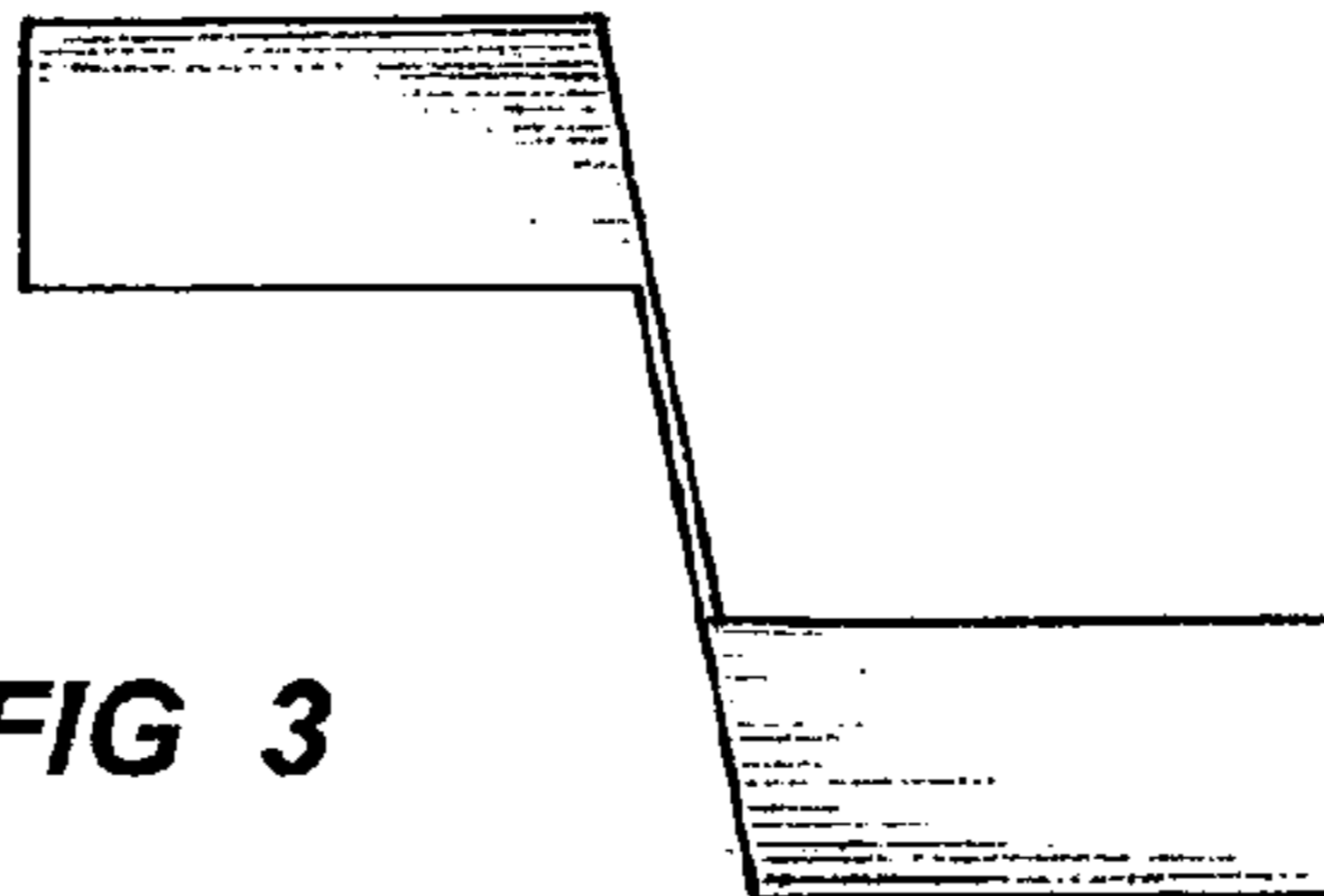


FIG 8

FIG 4

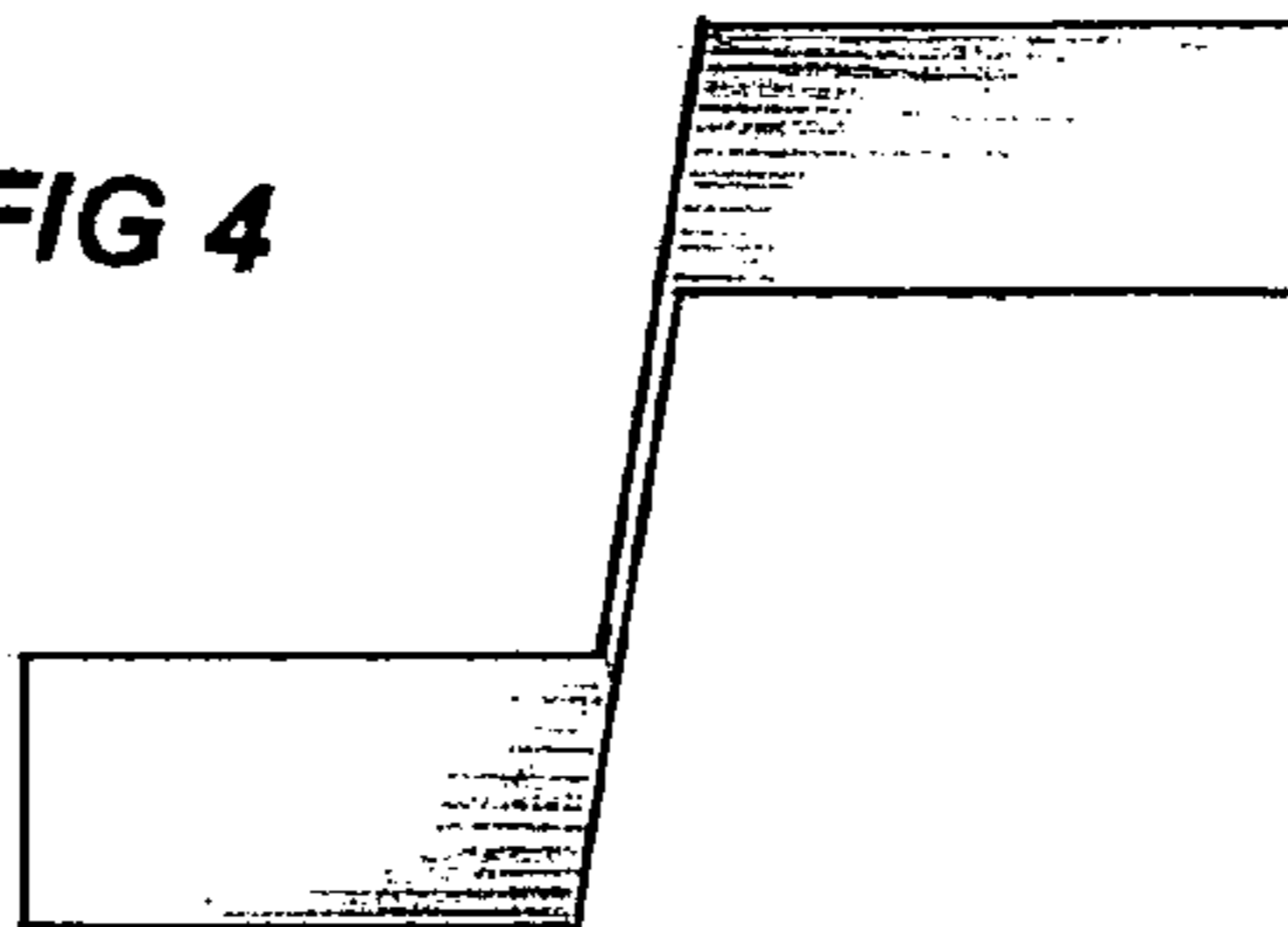


FIG 6

