



US00D557296S

(12) **United States Design Patent**
Apodaca

(10) **Patent No.:** **US D557,296 S**

(45) **Date of Patent:** **** Dec. 11, 2007**

(54) **CROWN MOLDING MITER SAW GUIDE**

7,228,774 B2 * 6/2007 Stolzer 83/451

(76) Inventor: **Edward R. Apodaca**, 33130 Fox Rd.,
Temecula, CA (US) 92592

* cited by examiner

Primary Examiner—Gary D. Watson

Assistant Examiner—Patricia Palasik

(74) *Attorney, Agent, or Firm*—Loyal McKinley Hanson

(**) Term: **14 Years**

(21) Appl. No.: **29/289,165**

(57) **CLAIM**

(22) Filed: **Jul. 10, 2007**

The ornamental design for a crown molding miter saw guide, as shown and described.

(51) **LOC (8) Cl.** **15-09**

(52) **U.S. Cl.** **D15/133; D8/71**

(58) **Field of Classification Search** D8/64,

D8/66, 70, 71, 72, 73, 74, 354, 373; D15/133;

83/13, 468.7, 471.3, 473, 477.1, 581

See application file for complete search history.

DESCRIPTION

FIG. 1 of the drawings is a perspective view showing the front, top, and left side of a crown molding miter saw guide embodying the design of my invention;

FIG. 2 is a front elevation view the miter saw guide;

FIG. 3 is a top plan view;

FIG. 4 is a left side elevation view;

FIG. 5 is a right side elevation view;

FIG. 6 is a back elevation view;

FIG. 7 is a bottom plan view; and,

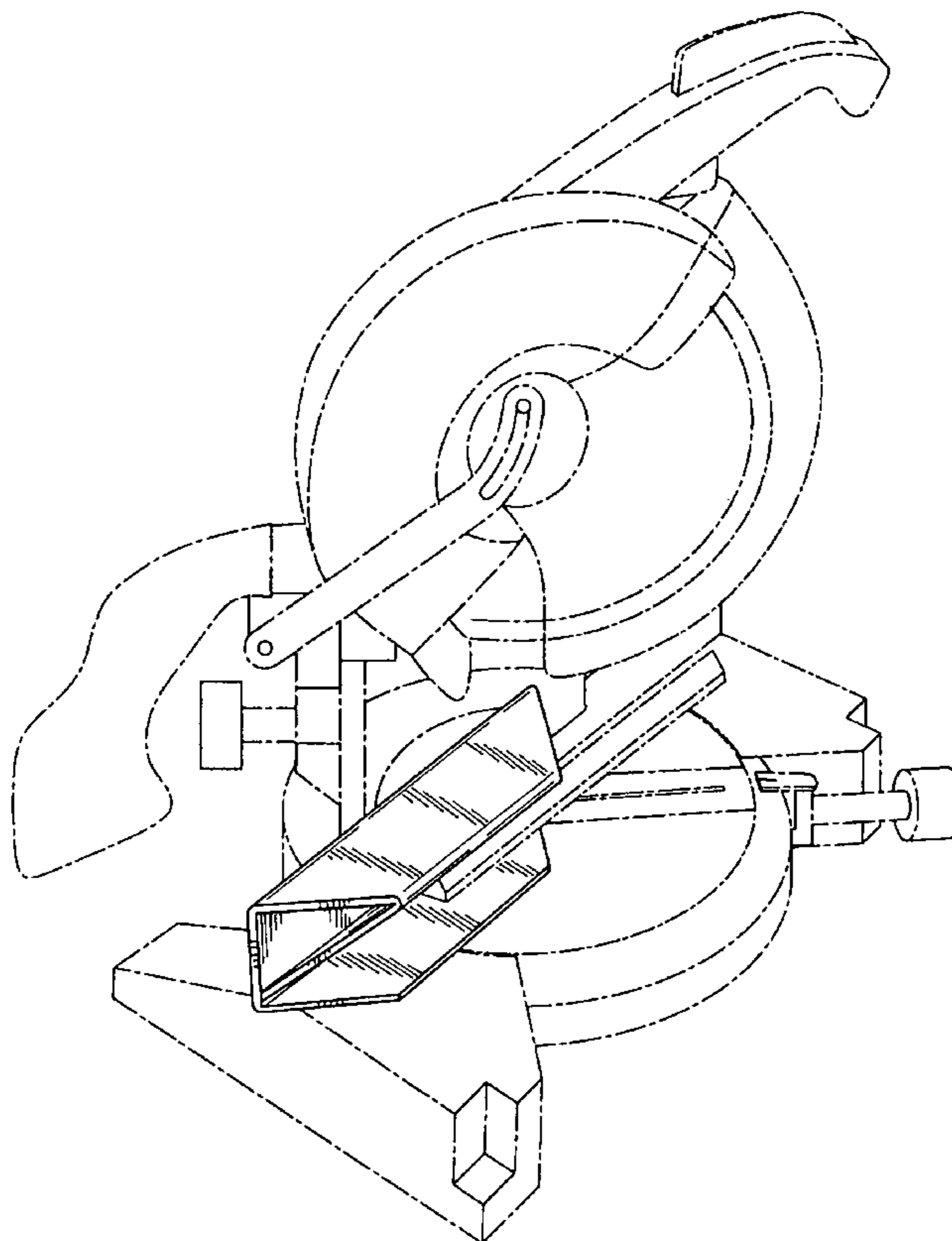
FIG. 8 is a reduced-in-size perspective view of the front, top, and left side of the crown molding miter saw guide illustrated with its usual environment that is not part of my design, said usual environment being shown in broken lines.

(56) **References Cited**

U.S. PATENT DOCUMENTS

4,875,399	A	10/1989	Scott et al.	
4,907,482	A	3/1990	Hujo	
5,865,079	A *	2/1999	Itzov	83/471.3
5,983,767	A *	11/1999	DeFelice et al.	83/581
D430,176	S *	8/2000	Tuttle	D15/133
6,418,830	B1 *	7/2002	Stumpf et al.	83/471.3
6,481,320	B1 *	11/2002	McGrory et al.	83/13
D481,603	S	11/2003	Kelley	
6,782,782	B1	8/2004	Shangle et al.	
6,938,528	B2 *	9/2005	Lewis	83/13
7,111,537	B2 *	9/2006	Vallone	83/581

1 Claim, 3 Drawing Sheets



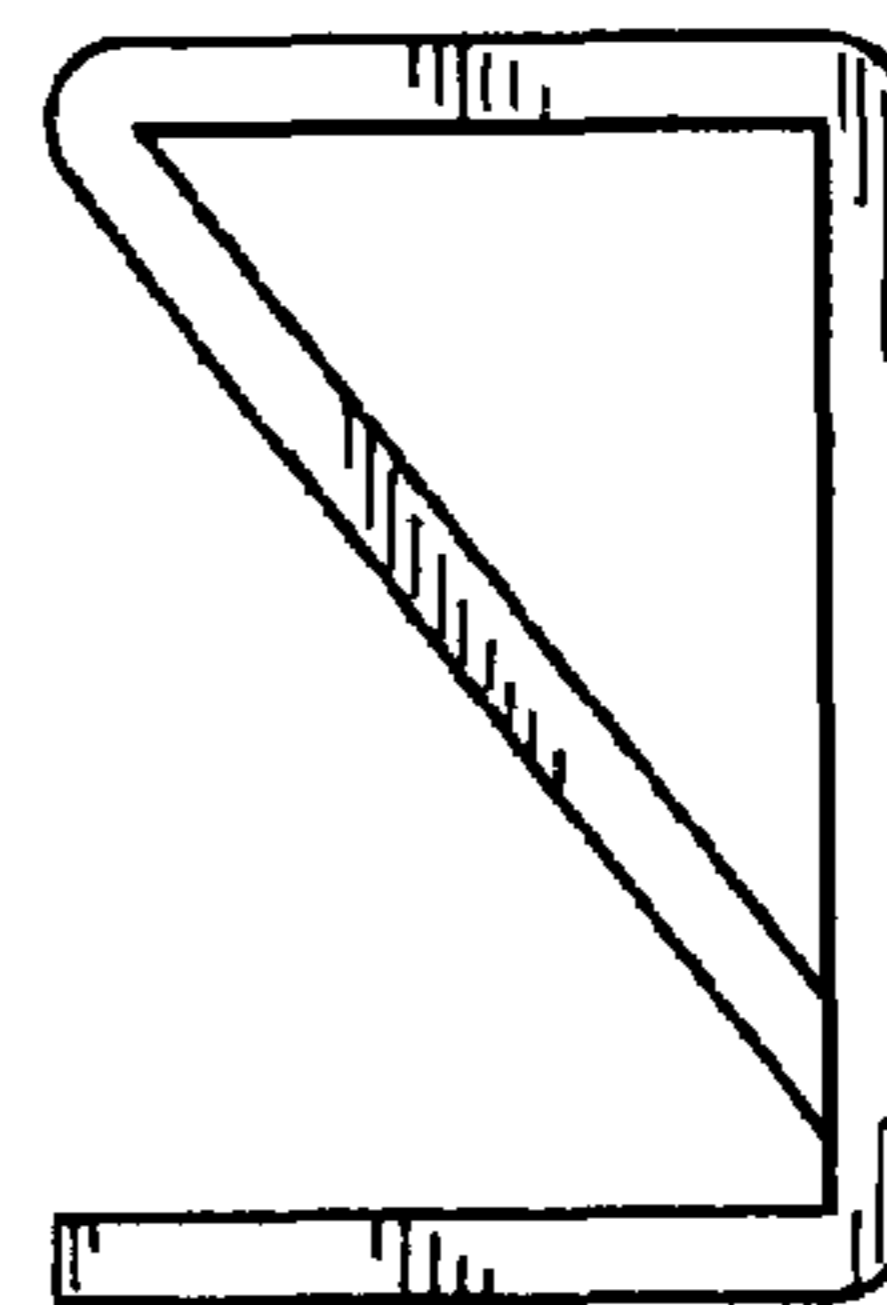
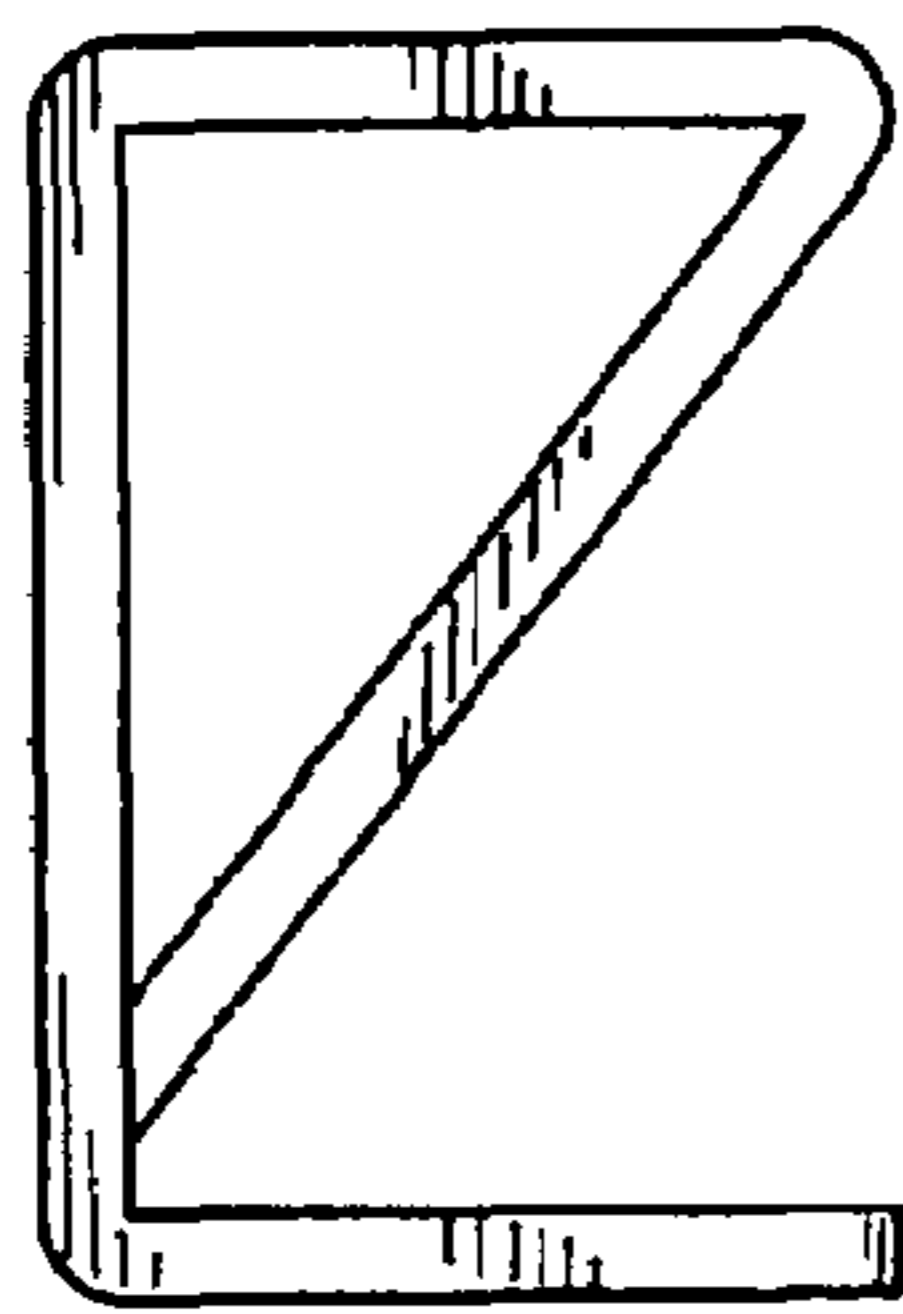
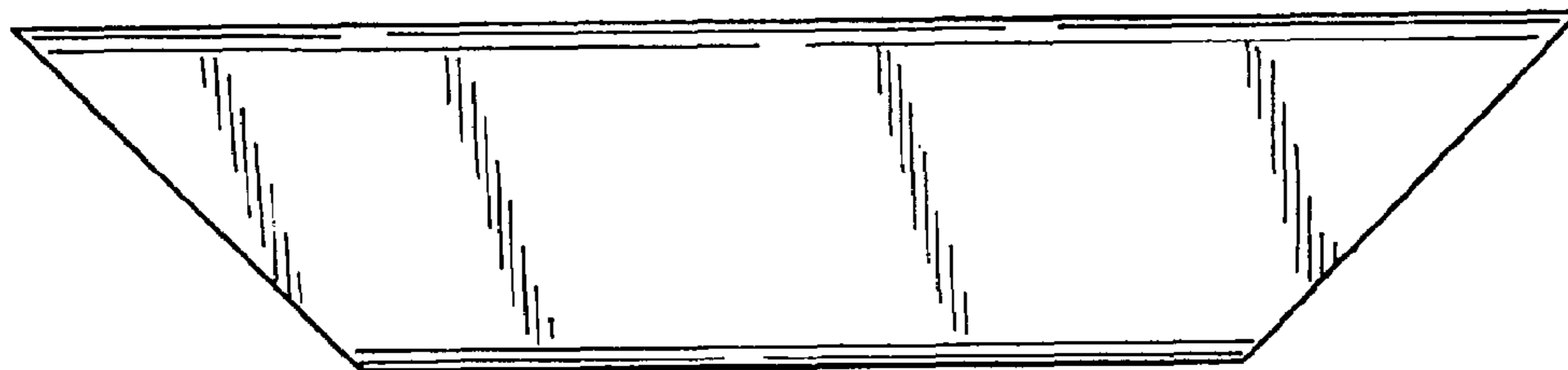
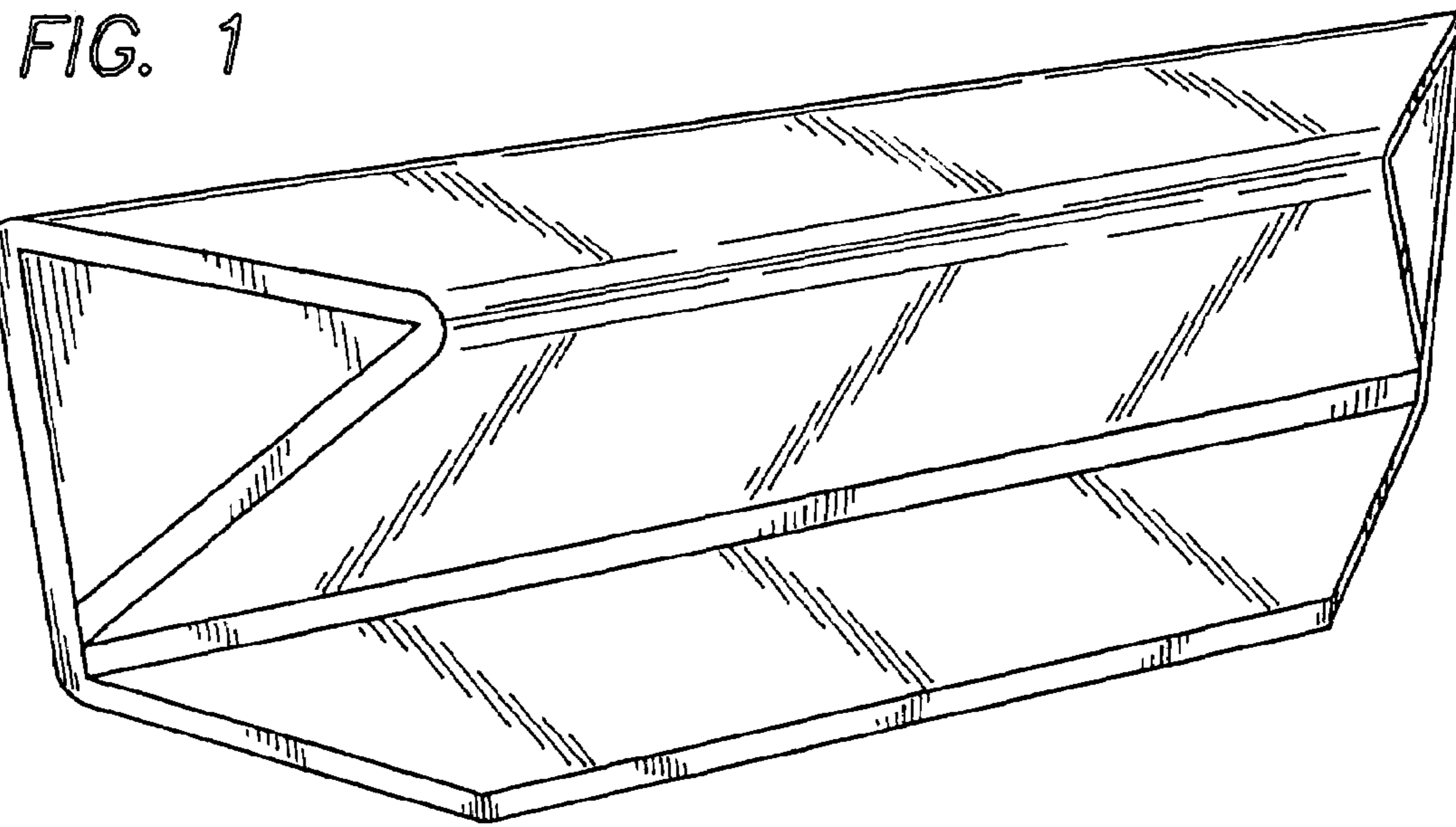


FIG. 4

FIG. 5

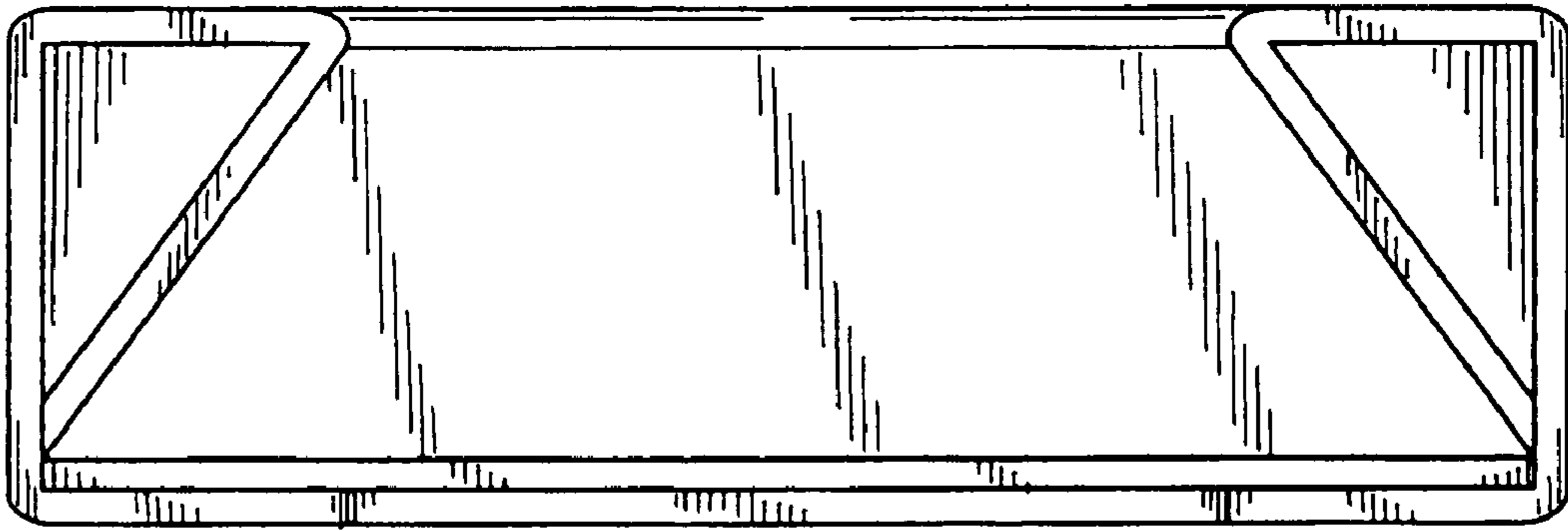


FIG. 2

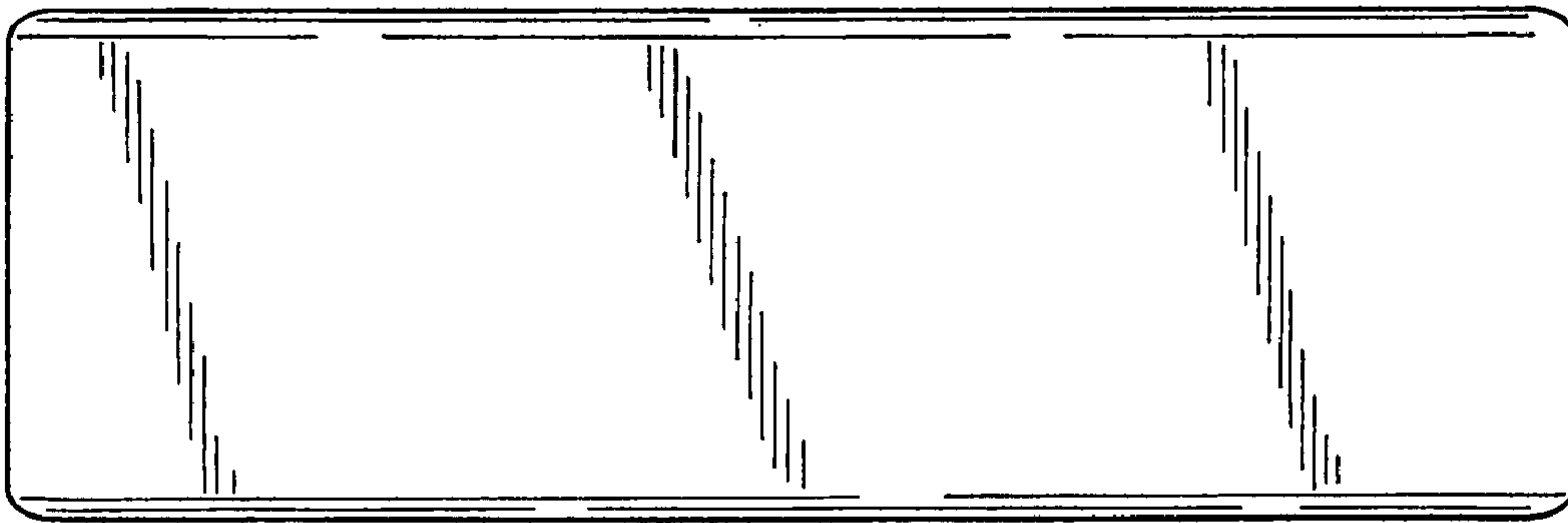


FIG. 6

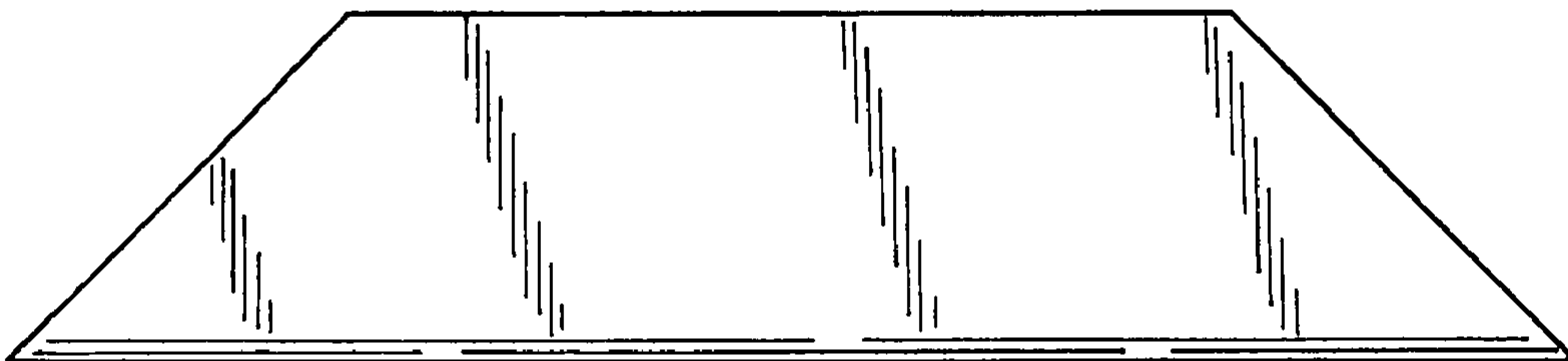


FIG. 7

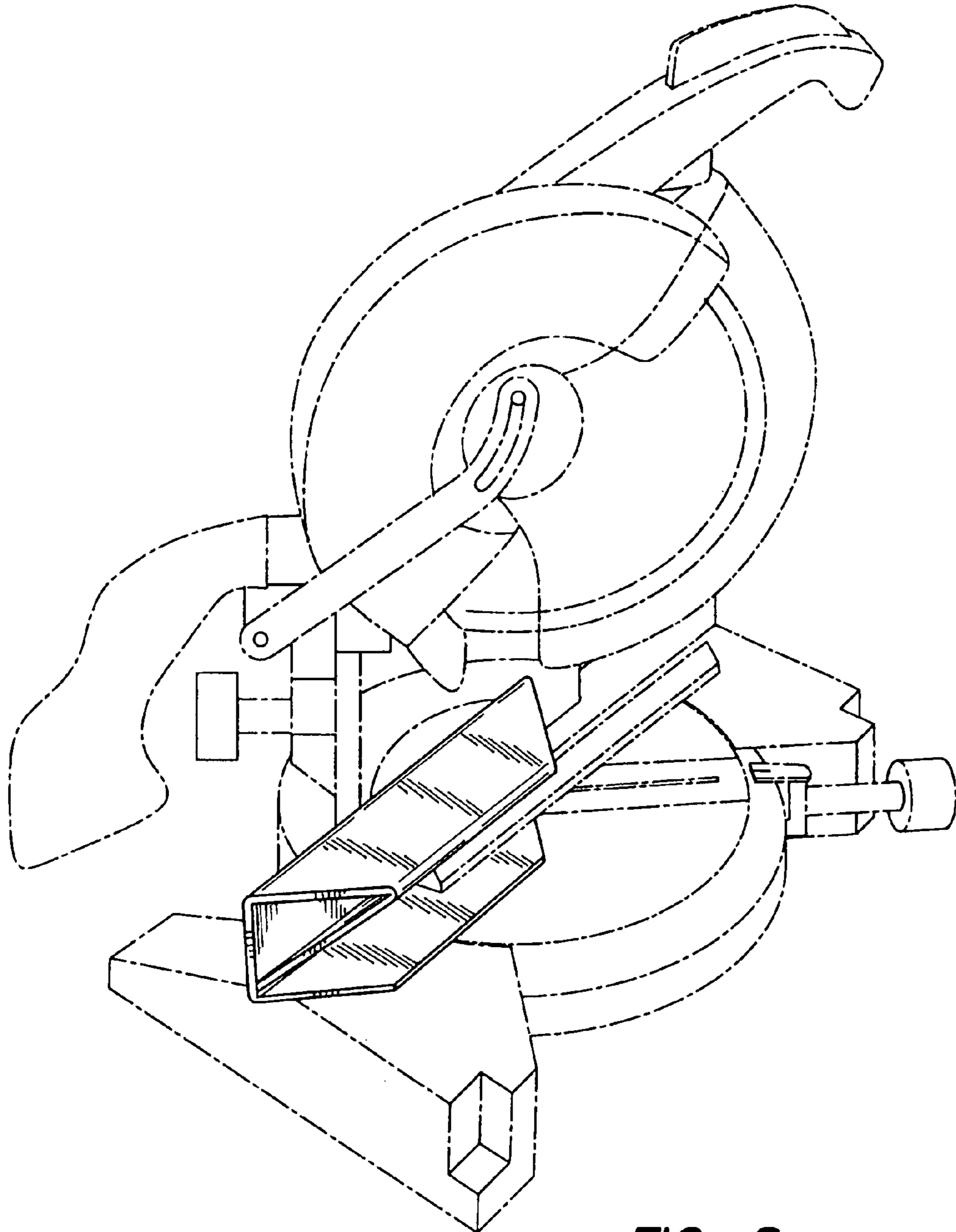


FIG. 8