



US00D557295S

(12) **United States Design Patent**
Formanek

(10) **Patent No.:** **US D557,295 S**

(45) **Date of Patent:** **** Dec. 11, 2007**

(54) **LASER CUTTING MACHINE**

(75) Inventor: **Karel Formanek**, Solothurn (CH)

(73) Assignee: **Bystronic Laser AG**, Niederoenz (CH)

(**) Term: **14 Years**

(21) Appl. No.: **29/278,313**

(22) Filed: **Mar. 26, 2007**

(30) **Foreign Application Priority Data**

Sep. 26, 2006 (CH) 133248

(51) **LOC (8) Cl.** **15-09**

(52) **U.S. Cl.** **D15/127**

(58) **Field of Classification Search** D15/122,
D15/127; 219/121.6-121.86; 372/9, 19,
372/29, 92, 99, 107-109

See application file for complete search history.

(56) **References Cited**

U.S. PATENT DOCUMENTS

- D332,615 S * 1/1993 Fang et al. D15/122
- 5,183,993 A * 2/1993 Sato et al. 219/121.82
- 5,227,606 A * 7/1993 Weeks et al. 219/121.67
- D419,573 S * 1/2000 Kawahara et al. D15/122
- 6,140,606 A * 10/2000 Heikilla et al. 219/121.82
- 6,392,192 B1 * 5/2002 Cole et al. 219/121.83

- D464,363 S * 10/2002 Saito et al. D15/122
- 6,462,301 B1 * 10/2002 Scott et al. 219/121.67
- 6,476,348 B1 * 11/2002 Grimes 219/121.67
- 6,855,911 B1 * 2/2005 Lai 219/121.86
- 2003/0106880 A1 * 6/2003 Lai 219/121.6
- 2005/0072767 A1 * 4/2005 Leibinger et al. 219/121.67

* cited by examiner

Primary Examiner—Antoine D. Davis

Assistant Examiner—Patricia Palasik

(74) *Attorney, Agent, or Firm*—Alston & Bird LLP

(57) **CLAIM**

The ornamental design for a laser cutting machine, as shown and described.

DESCRIPTION

FIG. 1 is a perspective view of a laser cutting machine according to my new design;

FIG. 2 is another perspective view thereof;

FIG. 3 is a front elevation view thereof;

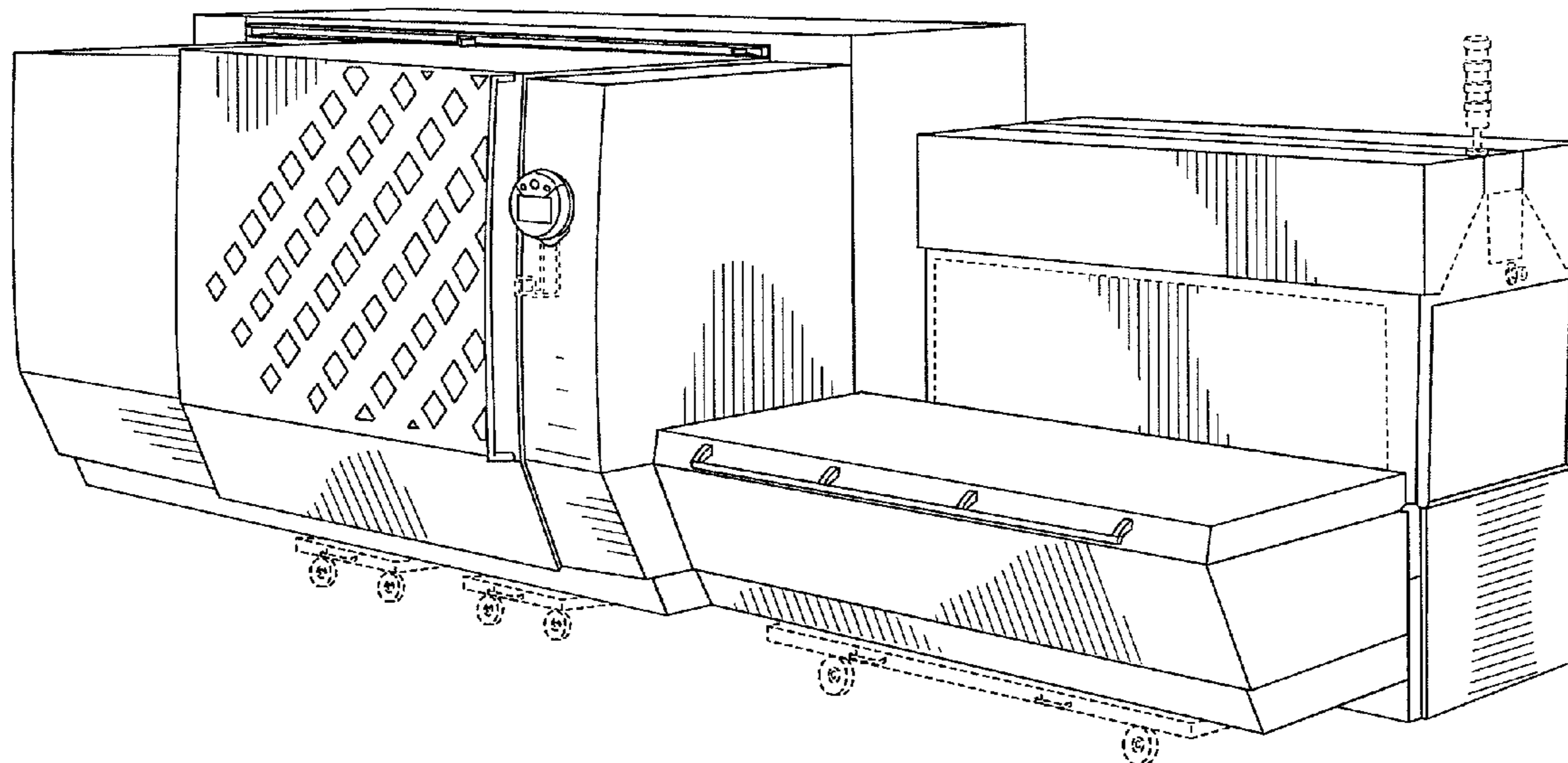
FIG. 4 is a top plan view thereof;

FIG. 5 is a left side elevation view thereof; and,

FIG. 6 is a right side elevation view thereof.

The broken lines shown herein are for illustrative purposes only and form no part of the claimed design.

1 Claim, 5 Drawing Sheets



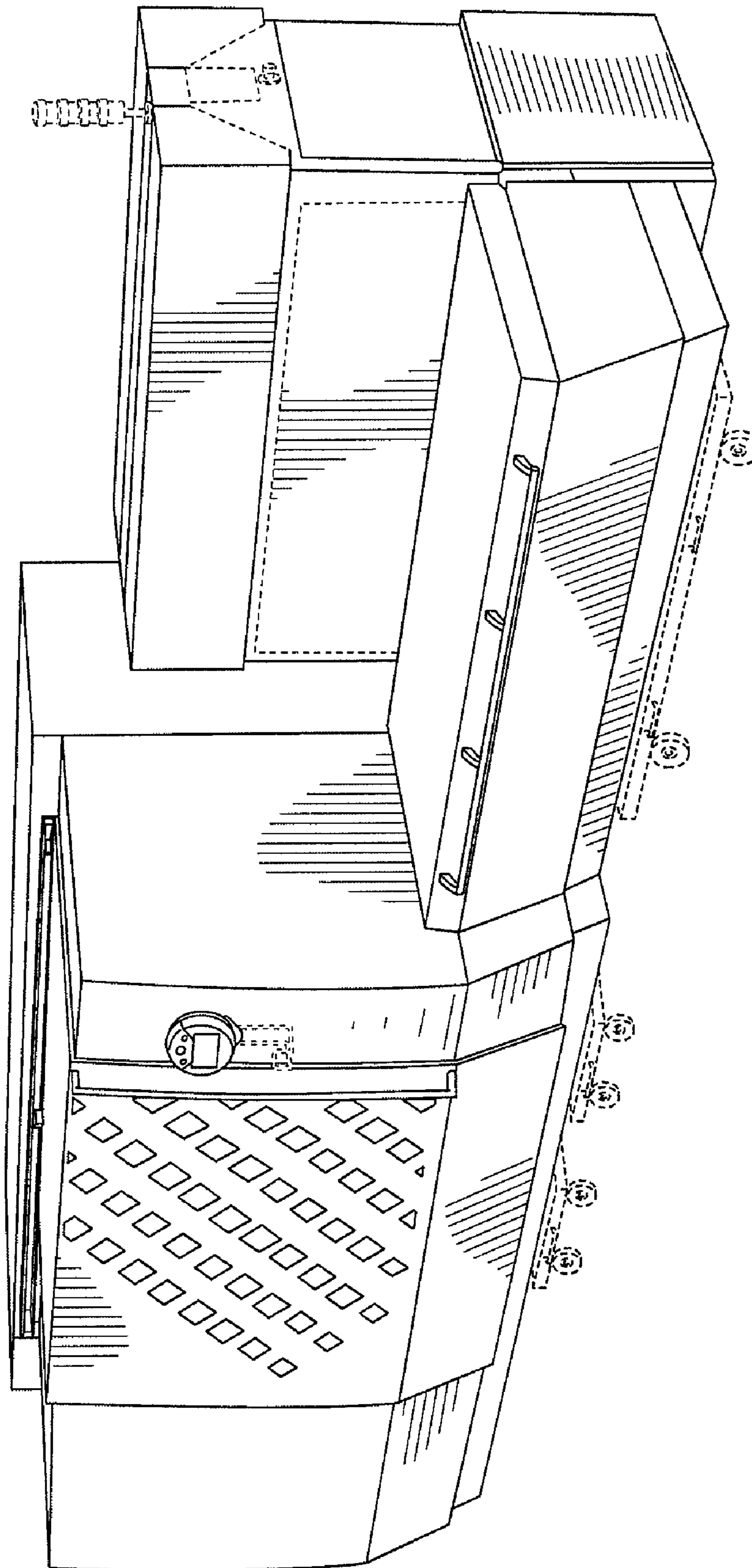
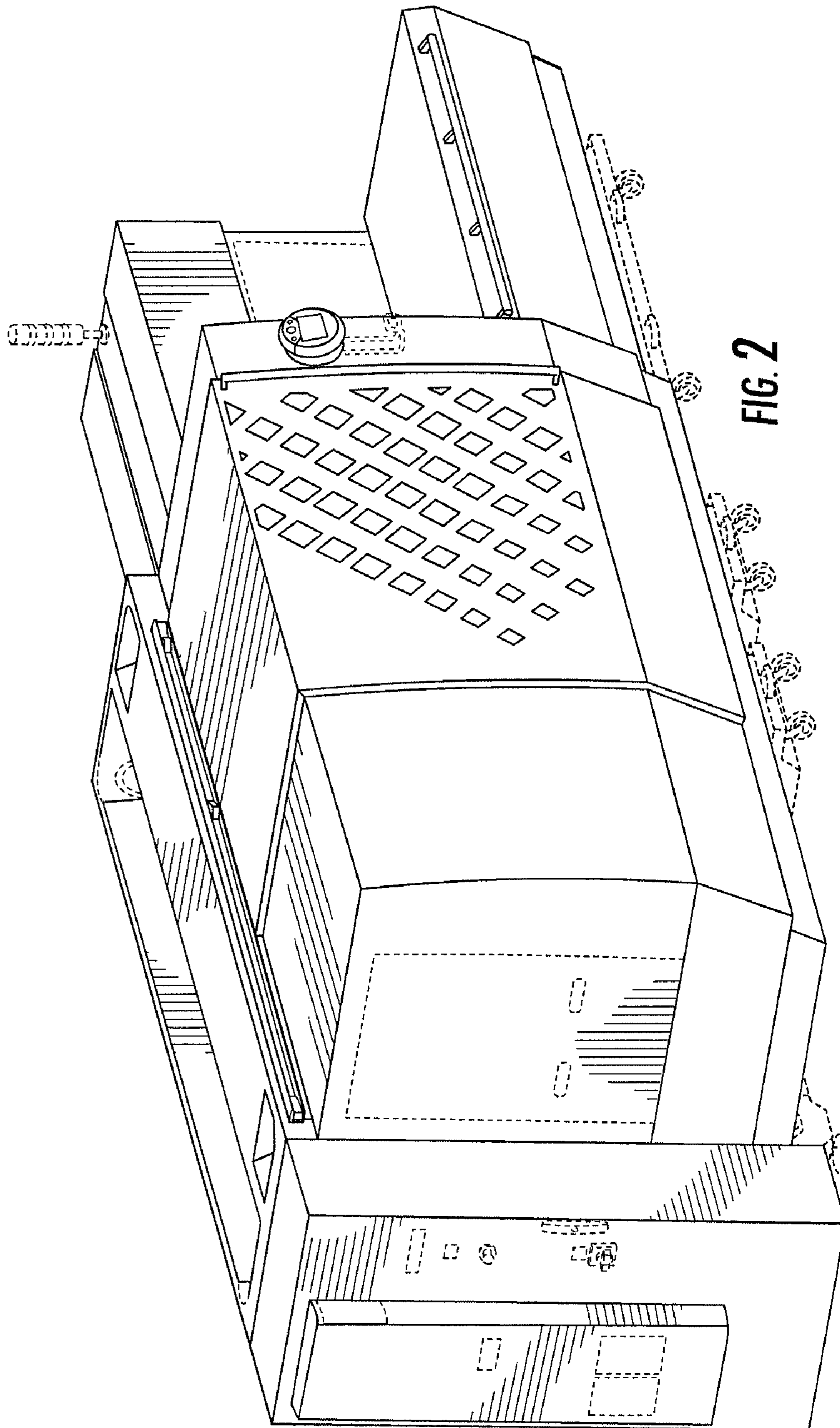


FIG. 1



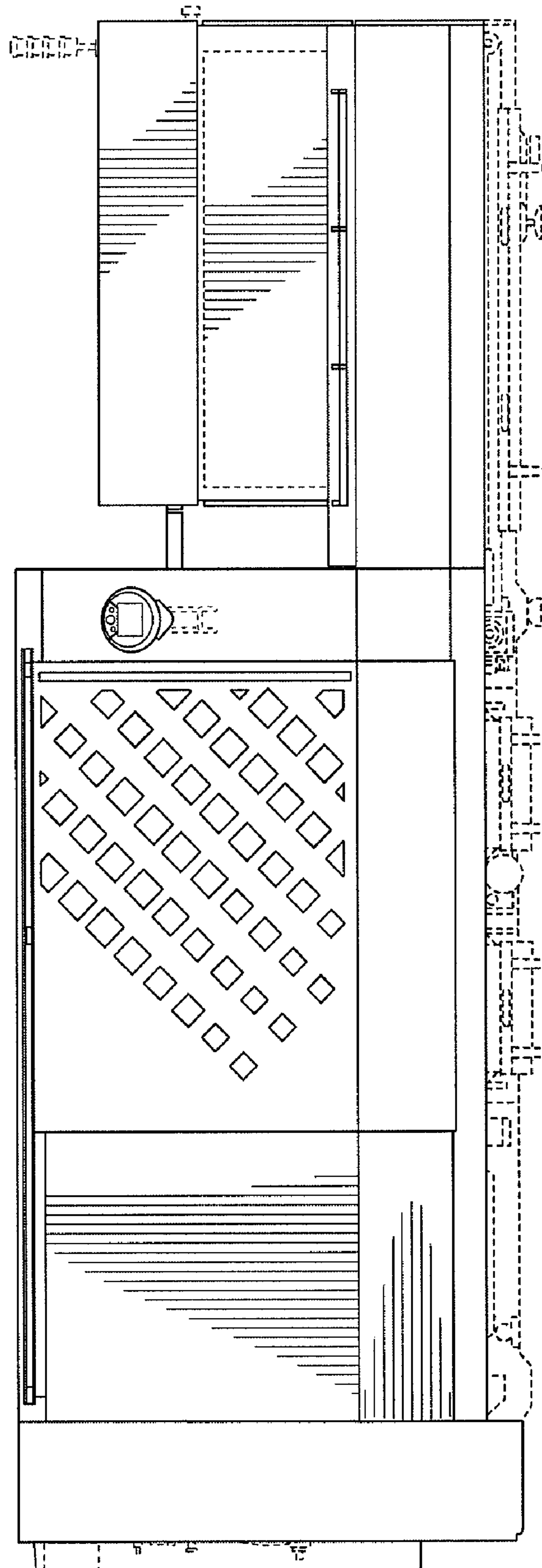


FIG. 3

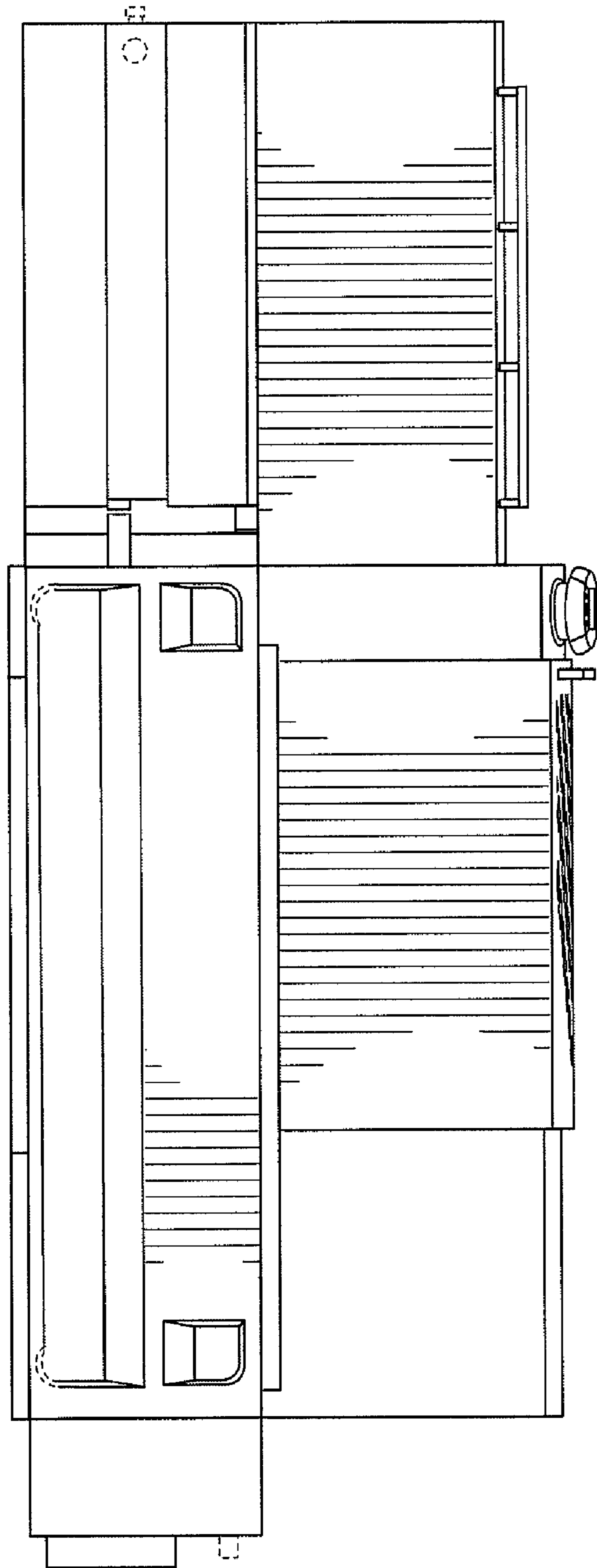


FIG. 4

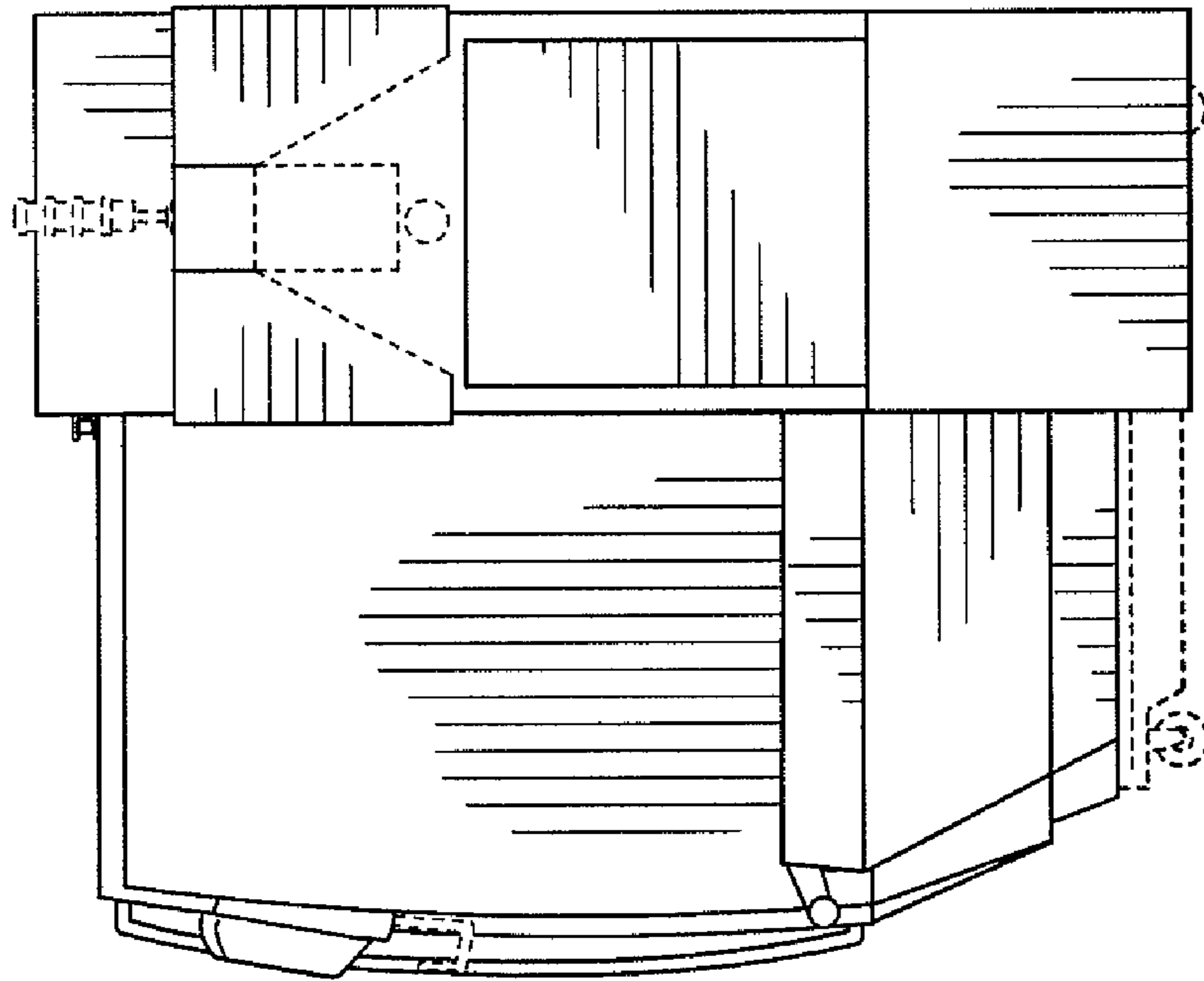


FIG. 6

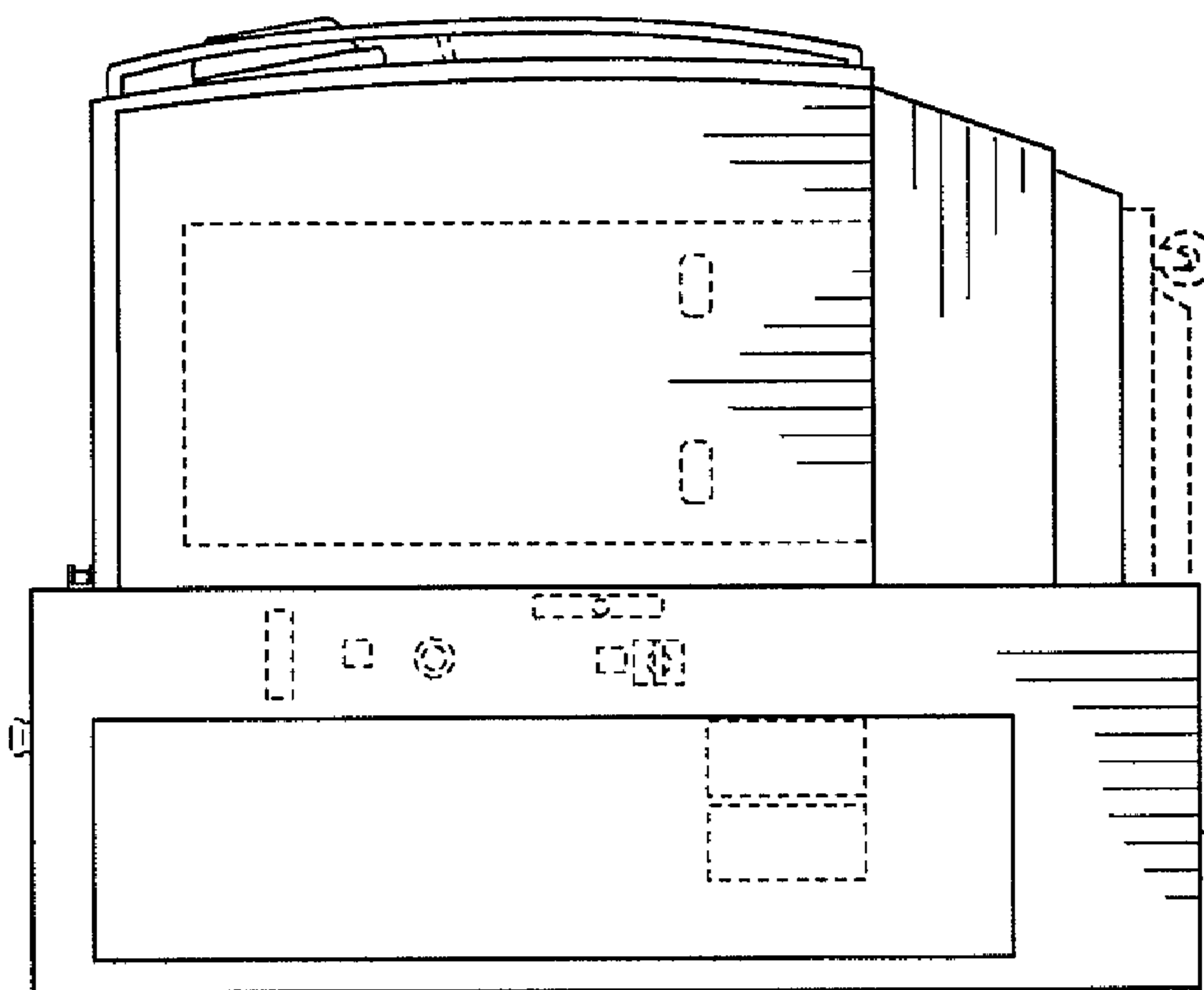


FIG. 5