



US00D557294S

(12) **United States Design Patent**
Okuya

(10) **Patent No.:** **US D557,294 S**

(45) **Date of Patent:** **** Dec. 11, 2007**

(54) **CRUSHING APPARATUS**

(75) **Inventor:** **Yasuaki Okuya**, 52 Soramachi,
Heisaka-Cho, Nishio-City, Aichi-Pref.
444-0305 (JP)

(73) **Assignee:** **Yasuaki Okuya**, Nishio (JP)

(**) **Term:** **14 Years**

(21) **Appl. No.:** **29/263,139**

(22) **Filed:** **Jul. 18, 2006**

(30) **Foreign Application Priority Data**

Jan. 27, 2006 (JP) 2006-001796

(51) **LOC (8) Cl.** **15-09**

(52) **U.S. Cl.** **D15/123**

(58) **Field of Classification Search** D15/122,
D15/123; 72/448, 455, 465; 100/207, 208,
100/214, 268, 282, 292; 241/31, 58, 159,
241/179, 186, 236, 285; 435/86, 135, 347,
435/348.5, 349, 350, 353, 355, 358, 360
See application file for complete search history.

(56) **References Cited**

U.S. PATENT DOCUMENTS

D236,750 S * 9/1975 Worthington D15/123
4,091,725 A * 5/1978 Arp 100/45
D258,442 S * 3/1981 Schmidt D15/123

4,426,928 A * 1/1984 Woods et al. 100/233
D331,414 S * 12/1992 Long D15/123
5,775,609 A * 7/1998 Ackers et al. 241/285.3
D413,339 S * 8/1999 Wales, Jr. D15/123
6,311,908 B1 * 11/2001 Kajiyama et al. 241/29
6,827,301 B1 * 12/2004 Kassuba 241/37
2004/0129815 A1 * 7/2004 Togashi et al. 241/268

* cited by examiner

Primary Examiner—Antoine D. Davis

Assistant Examiner—Patricia Palasik

(74) *Attorney, Agent, or Firm*—Edwards Angell Palmer & Dodge LLP

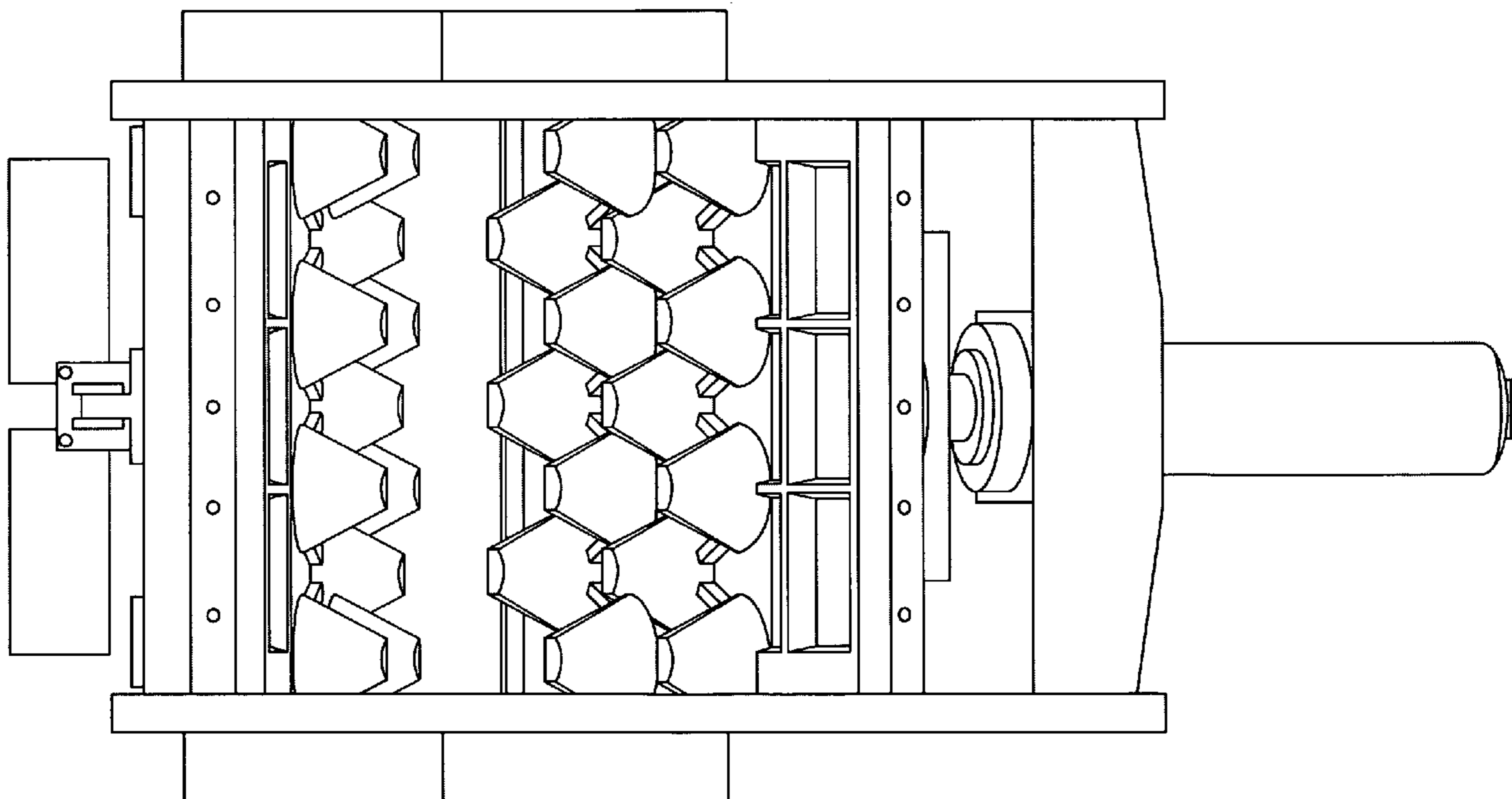
(57) **CLAIM**

The ornamental design for a crushing apparatus, as shown and described.

DESCRIPTION

FIG. 1 is a top view of the crushing apparatus;
FIG. 2 is a front view thereof;
FIG. 3 is a left side view thereof;
FIG. 4 is a right side view thereof;
FIG. 5 is a bottom view thereof;
FIG. 6 is a left perspective view thereof; and,
FIG. 7 is a right perspective view thereof.

1 Claim, 7 Drawing Sheets



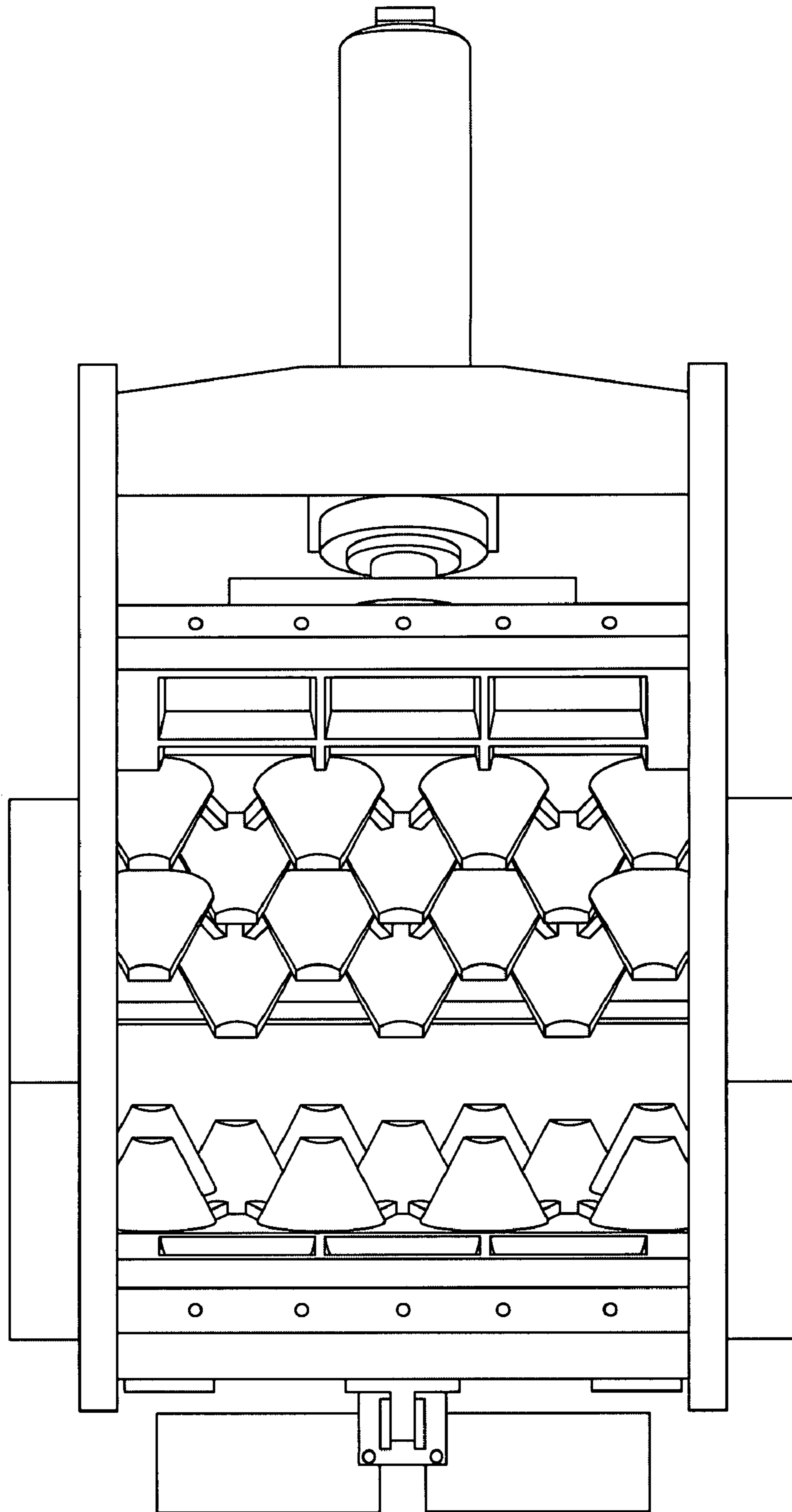


FIG.1

FIG.2

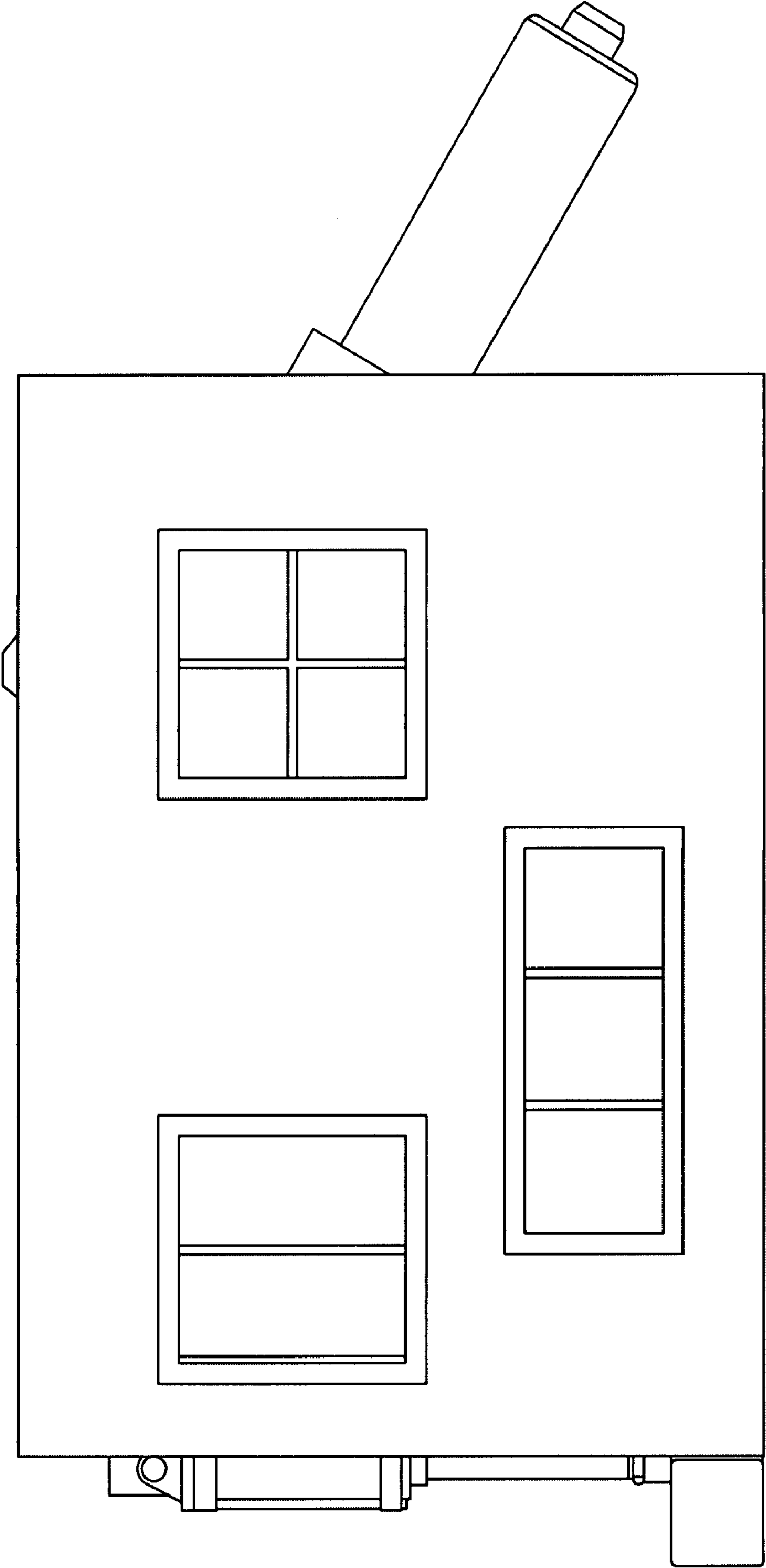


FIG.3

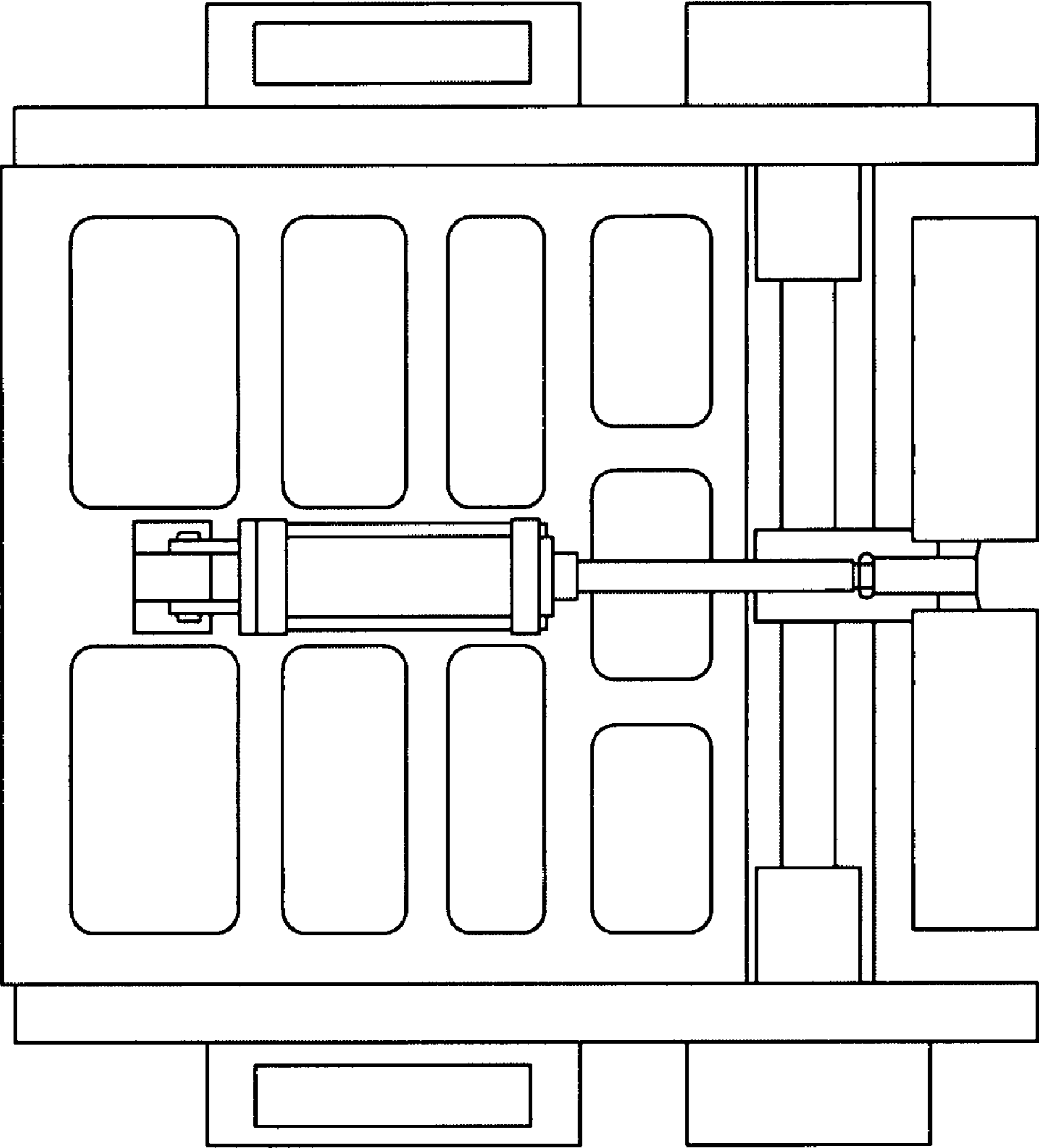
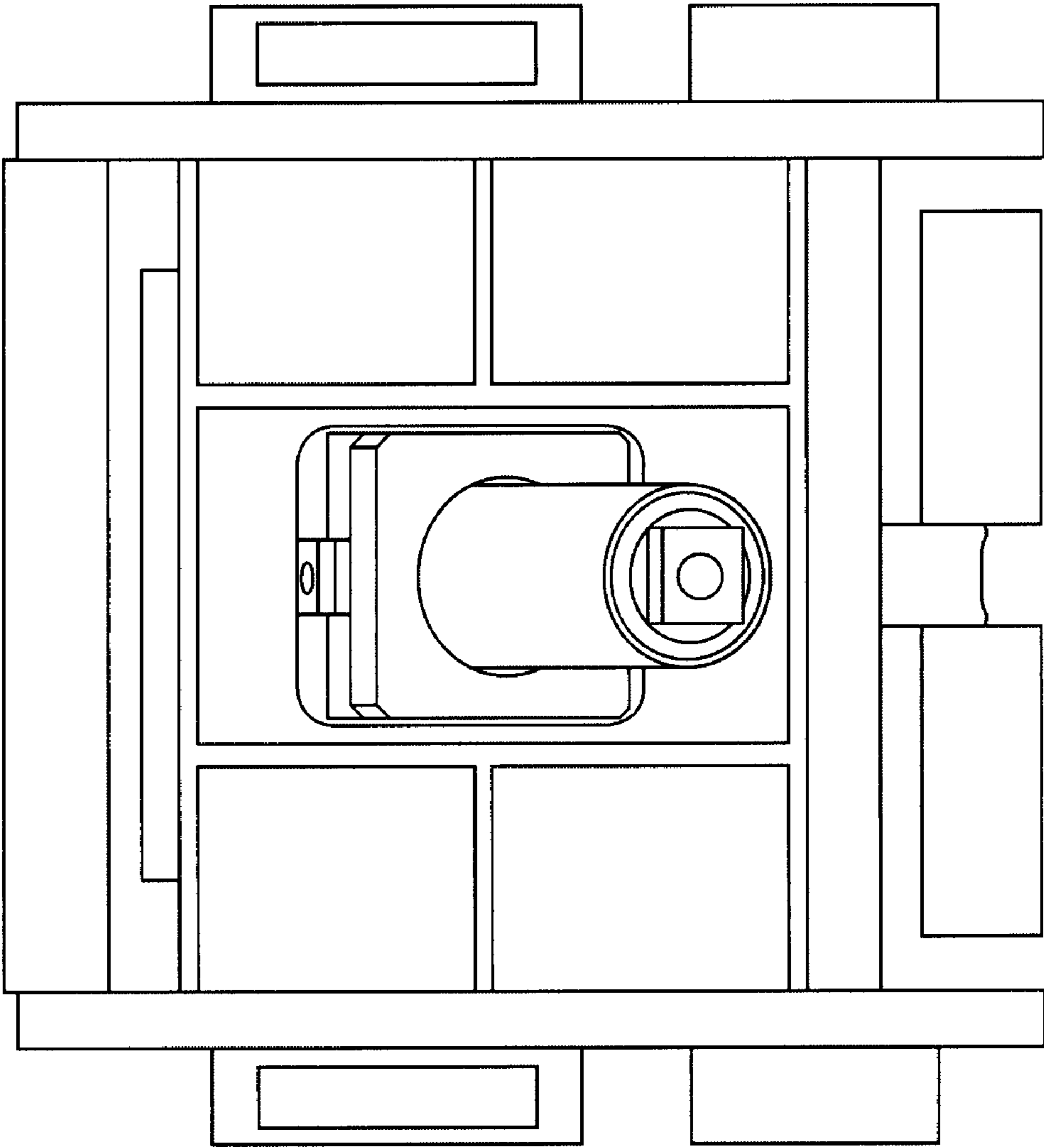


FIG.4



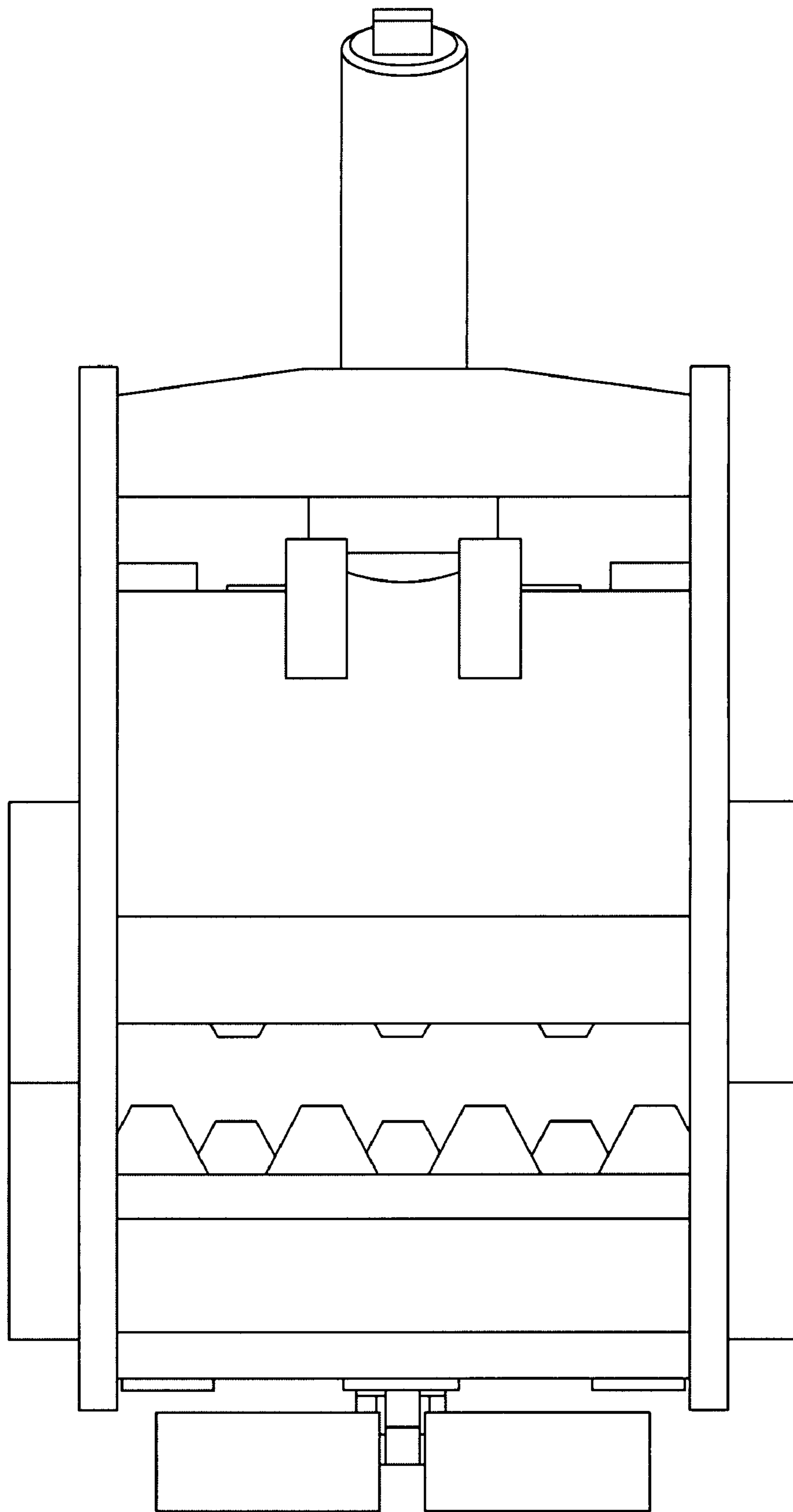


FIG. 5

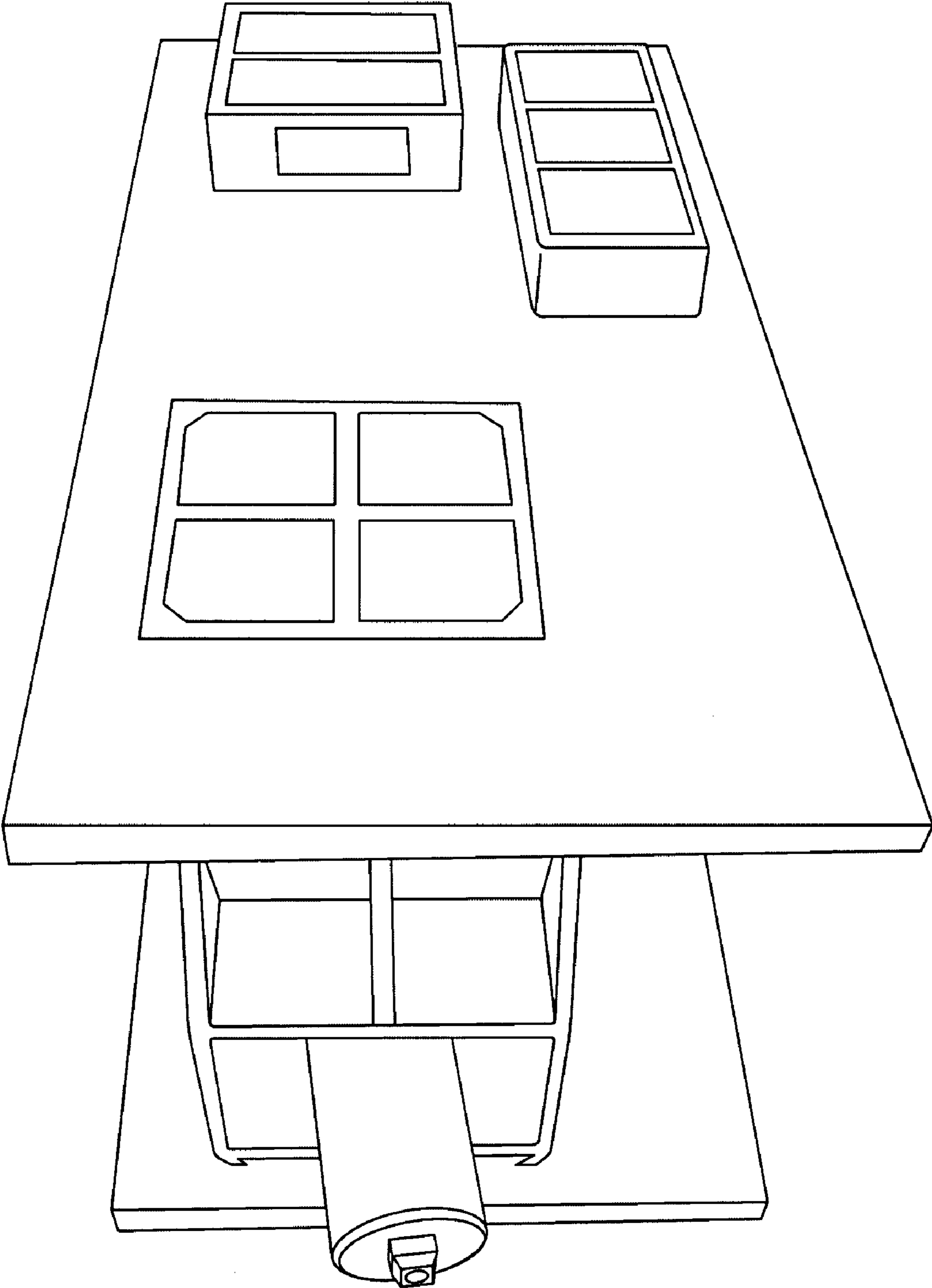


FIG.6

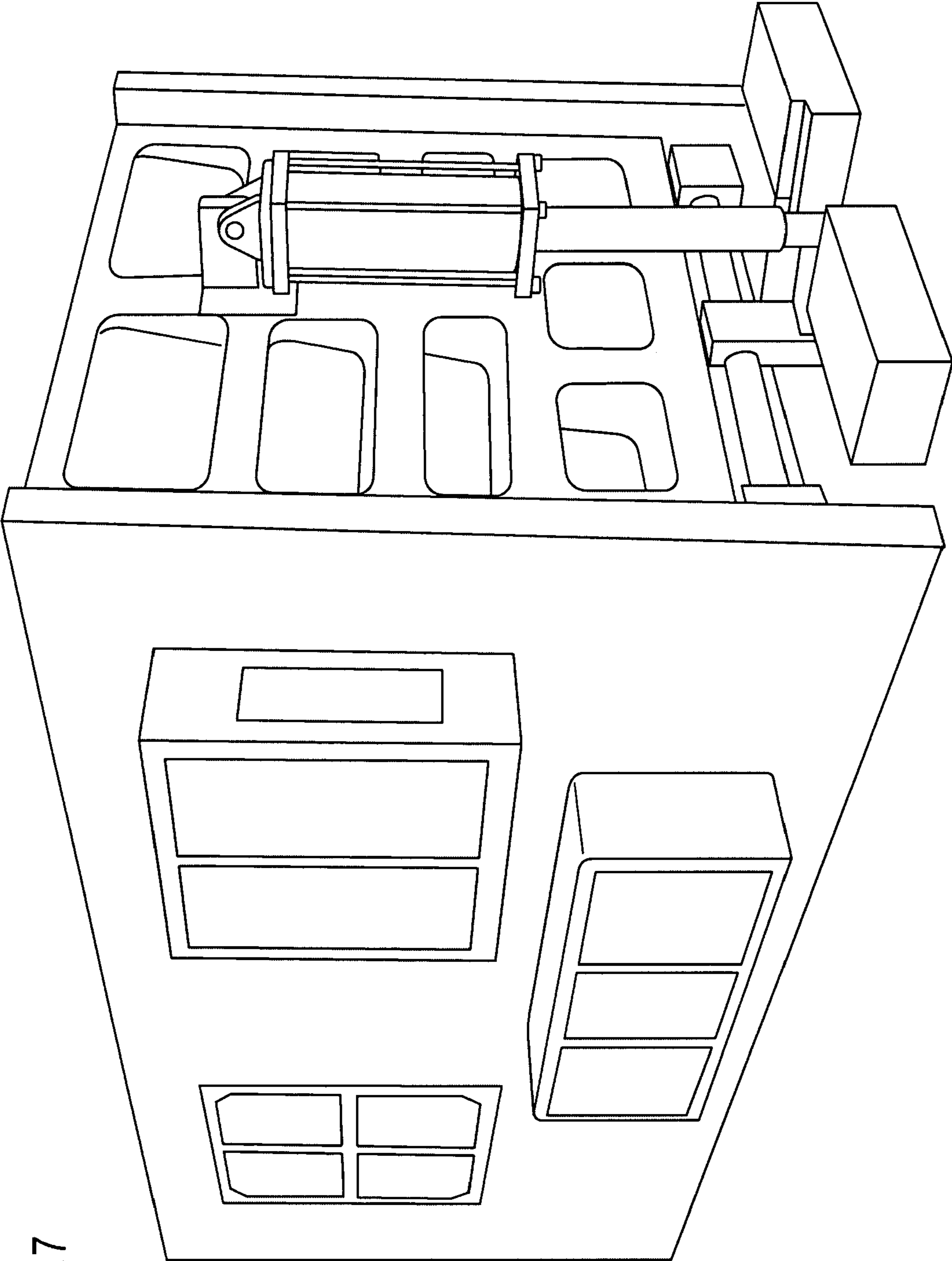


FIG.7