



US00D557289S

(12) **United States Design Patent**
Stewart

(10) **Patent No.:** **US D557,289 S**

(45) **Date of Patent:** **** Dec. 11, 2007**

(54) **GAS PUMP ADAPTER**

(76) Inventor: **Vincent L. Stewart**, 9110 Broadmanor Rd., Miami, FL (US) 33147

(**) Term: **14 Years**

(21) Appl. No.: **29/285,716**

(22) Filed: **Apr. 6, 2007**

(51) **LOC (8) Cl.** **11-03**

(52) **U.S. Cl.** **D15/9.1; D21/528**

(58) **Field of Classification Search** D15/7-9;
D23/232, 231; 417/359, 415-416, 410.1,
417/321, 265, 405

See application file for complete search history.

(56) **References Cited**

U.S. PATENT DOCUMENTS

D151,759 S *	11/1948	Hoppe	D15/9.1
D199,502 S *	11/1964	Jacobs et al.	D15/9.1
D201,568 S *	7/1965	Sasnett	D15/9.1
D211,401 S *	6/1968	Chidea et al.	D15/9.1
3,387,404 A *	6/1968	Appel	446/130
D216,646 S *	2/1970	Sasnett	D15/9.1
3,629,680 A *	12/1971	Baynes et al.	320/103
D278,921 S *	5/1985	Nagode	D21/528

D334,199 S *	3/1993	Ballew	D15/9.1
D505,982 S *	6/2005	Leung	D21/528
D517,985 S	3/2006	Hirabayashi et al.	
D528,076 S	9/2006	Tan	

* cited by examiner

Primary Examiner—Ralf Seifert

(74) *Attorney, Agent, or Firm*—Melvin K. Silverman; Yi Li; Menina Cohen

(57) **CLAIM**

The ornamental design for a gas pump adapter, as shown and described.

DESCRIPTION

FIG. 1 is a perspective view of the gas pump adapter.

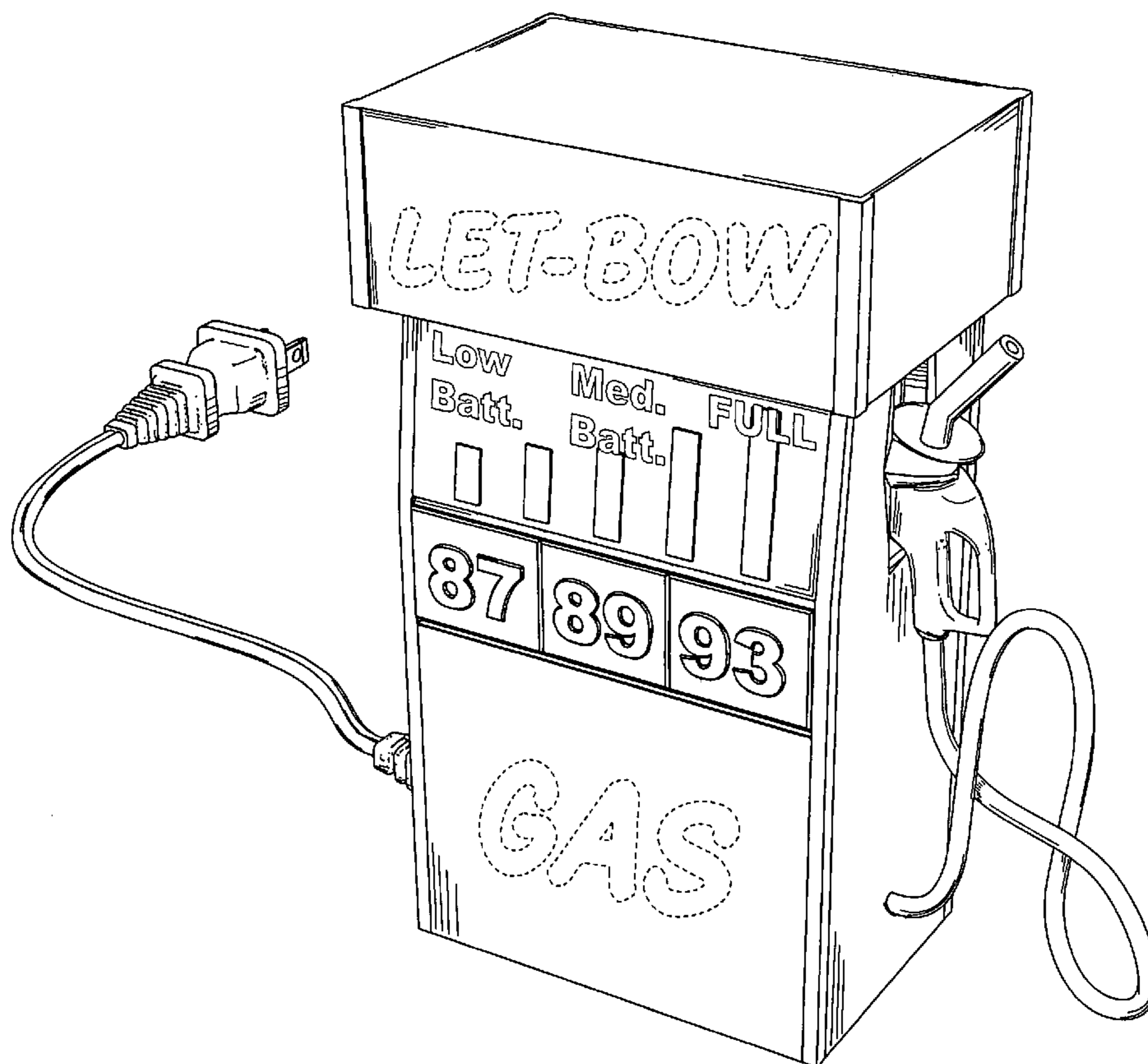
FIG. 2 is an alternate perspective view of the gas pump adapter of FIG. 1.

FIG. 3 is a right side view of the of the inventive gas pump adapter.

FIG. 4 is top view of the inventive gas pump adapter; and,

FIG. 5 is a perspective view of the gas pump adapter illustrating the male/female adapter connection.

1 Claim, 5 Drawing Sheets



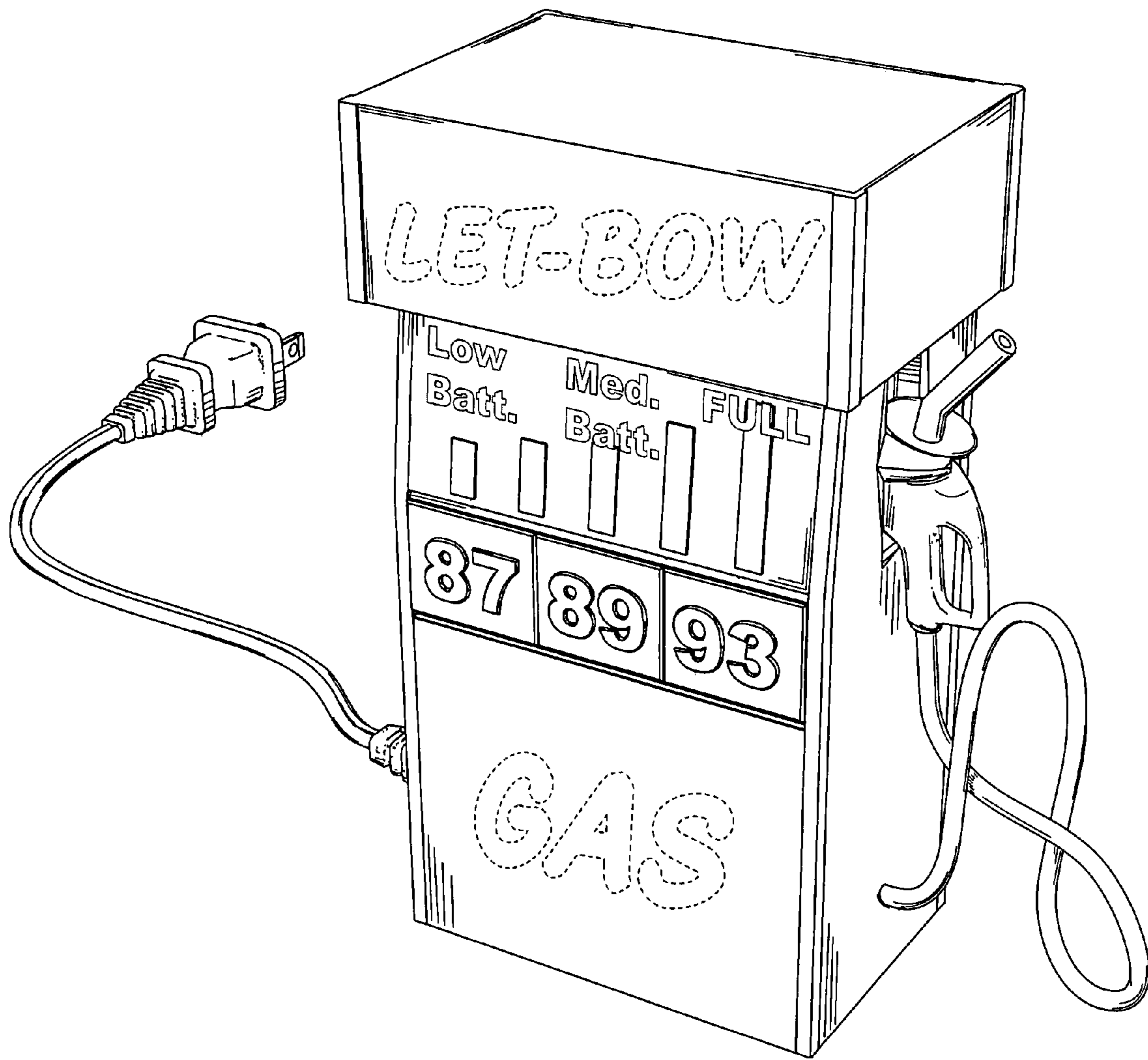


FIG. 1

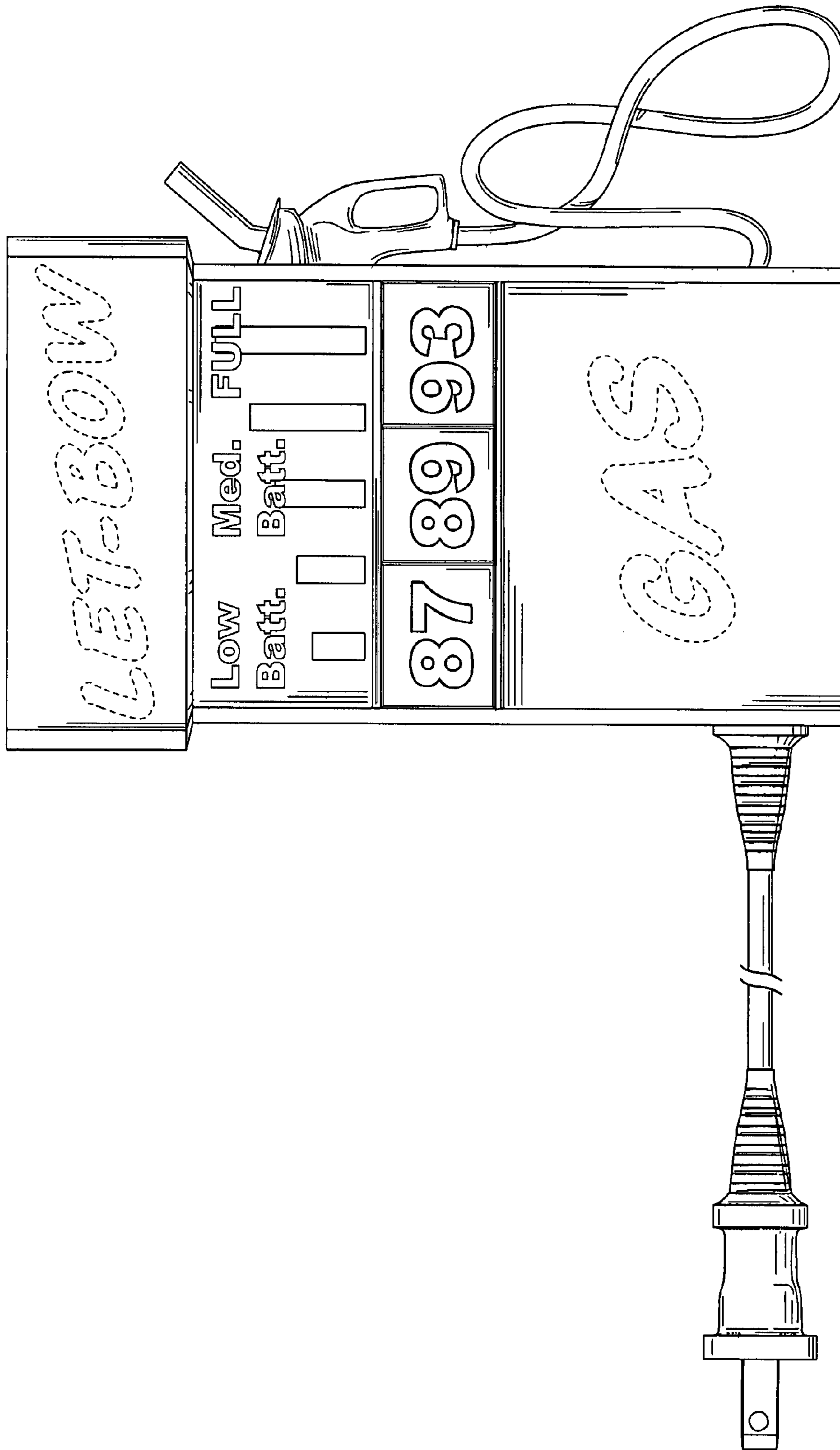


FIG. 2

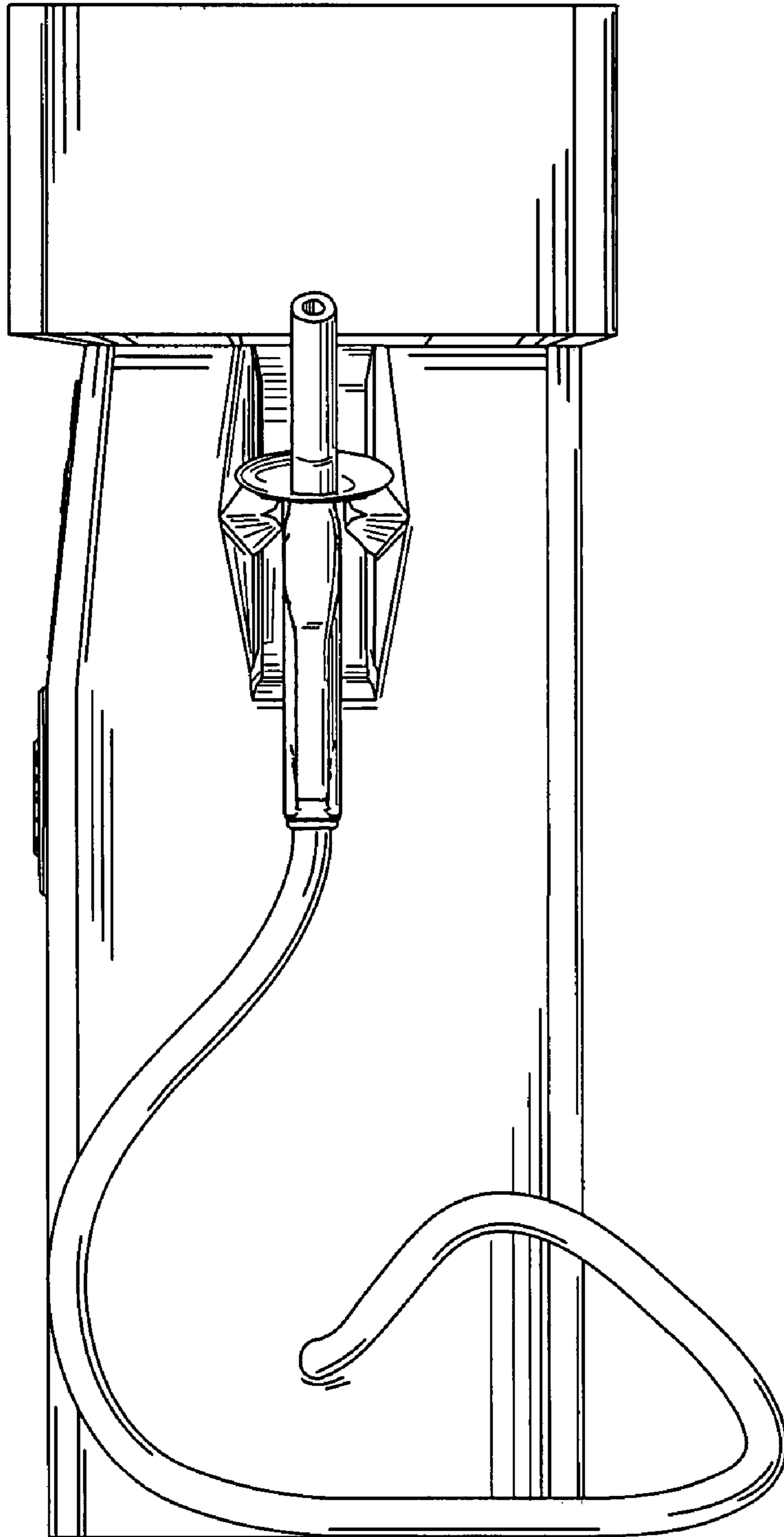


FIG. 3

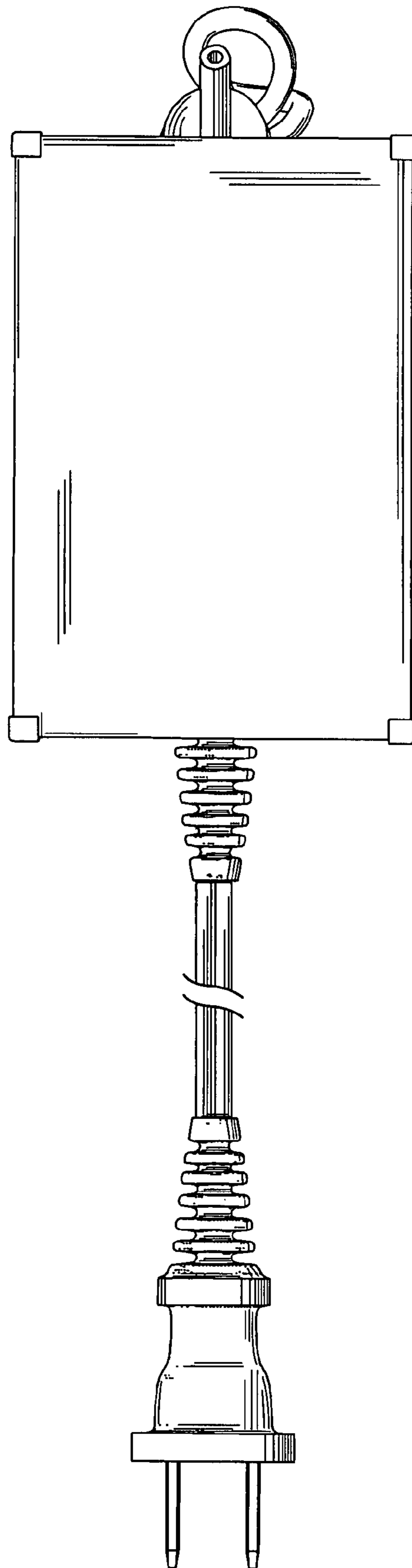


FIG. 4

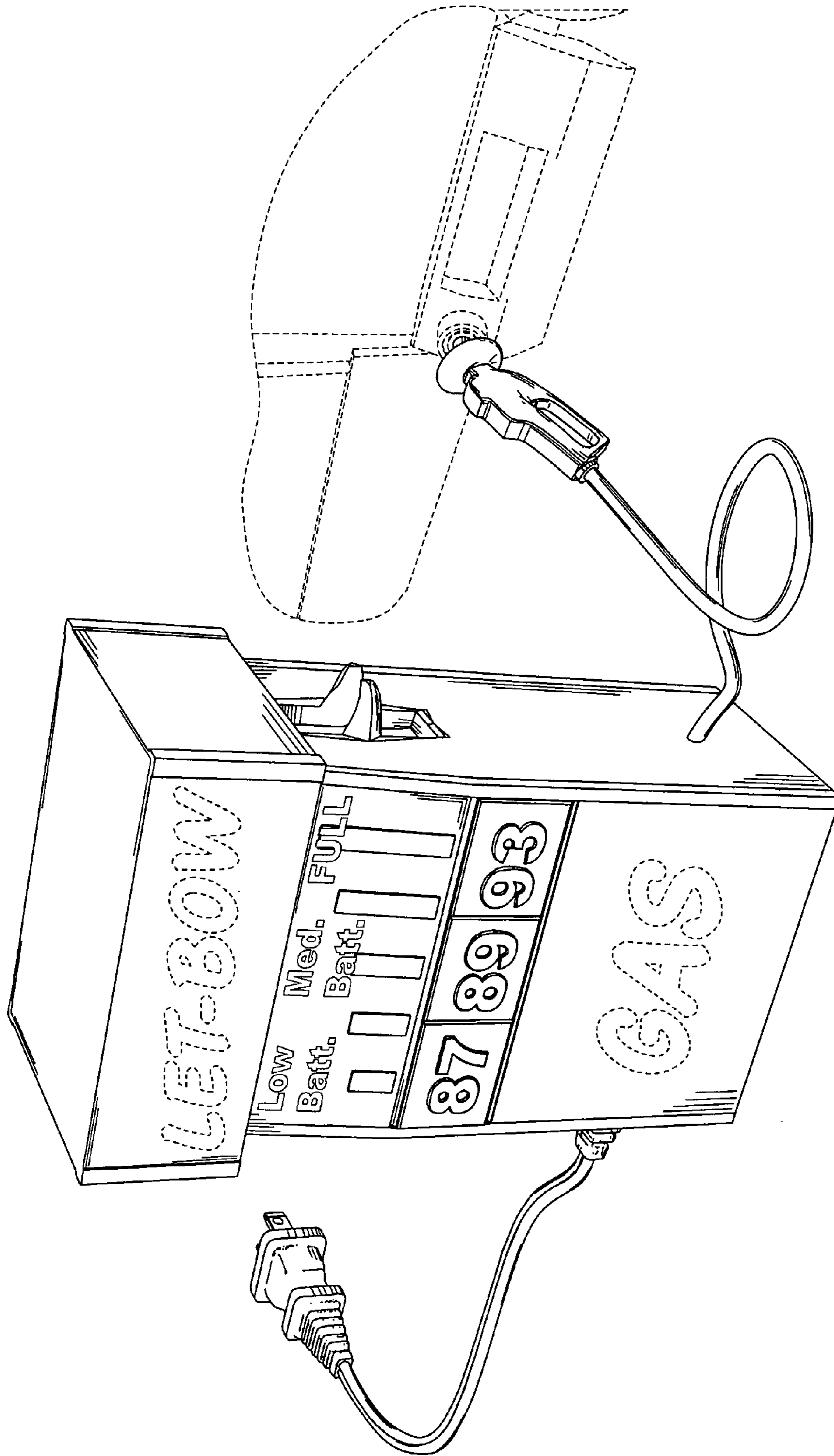


FIG. 5