



US00D557286S

(12) **United States Design Patent**  
**Pedrollo**

(10) **Patent No.:** **US D557,286 S**

(45) **Date of Patent:** **\*\* Dec. 11, 2007**

(54) **ELECTRIC PUMP**

(75) Inventor: **Silvano Pedrollo**, Verona (IT)

(73) Assignee: **Pedrollo S.p.A.**, S. Bonifacio (Verona)  
(IT)

(\*\*) Term: **14 Years**

(21) Appl. No.: **29/242,640**

(22) Filed: **Nov. 14, 2005**

(30) **Foreign Application Priority Data**

May 12, 2005 (EM) ..... 000342159

(51) **LOC (8) Cl.** ..... **15-02**

(52) **U.S. Cl.** ..... **D15/7**

(58) **Field of Classification Search** ..... D15/7-9;  
D23/232, 231; 417/359, 415-416, 410.1,  
417/321, 265, 405

See application file for complete search history.

(56) **References Cited**

**U.S. PATENT DOCUMENTS**

D271,493 S \* 11/1983 McMullen ..... D15/7

D461,827 S \* 8/2002 Koebbe ..... D15/7

D472,558 S \* 4/2003 MacPherson et al. .... D15/7

D499,115 S \* 11/2004 Tatic ..... D15/7

D506,210 S \* 6/2005 Selic et al. .... D15/7

\* cited by examiner

*Primary Examiner*—Ralf Seifert

(74) *Attorney, Agent, or Firm*—Browdy and Neimark,  
PLLC

(57) **CLAIM**

The ornamental design for an electric pump, as shown and described.

**DESCRIPTION**

FIG. 1 is a perspective view of an electric pump, showing my new design;

FIG. 2 is a front elevational view thereof;

FIG. 3 is a rear elevational view thereof;

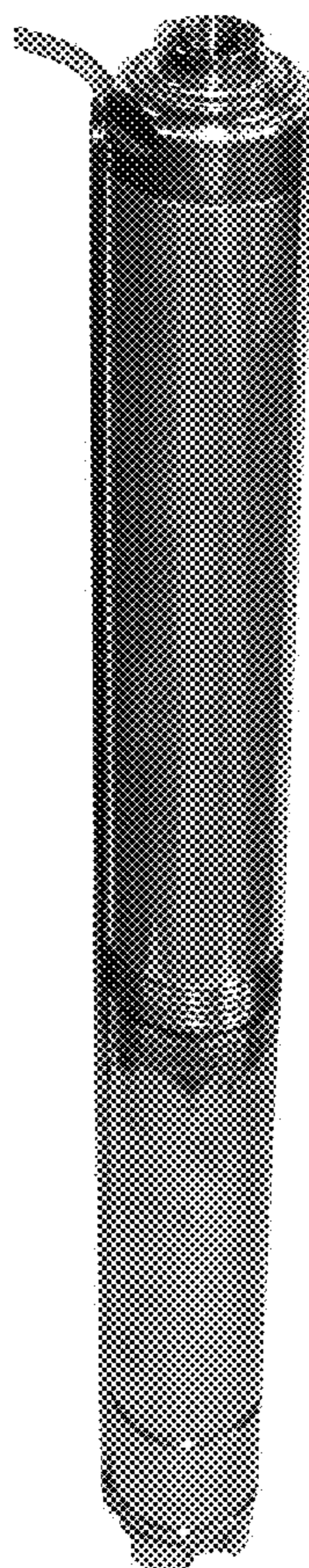
FIG. 4 is a top plan view thereof;

FIG. 5 is a side elevational view thereof;

FIG. 6 is a side elevational view thereof, from the side opposite FIG. 5; and,

FIG. 7 is a bottom plan view thereof.

**1 Claim, 7 Drawing Sheets**



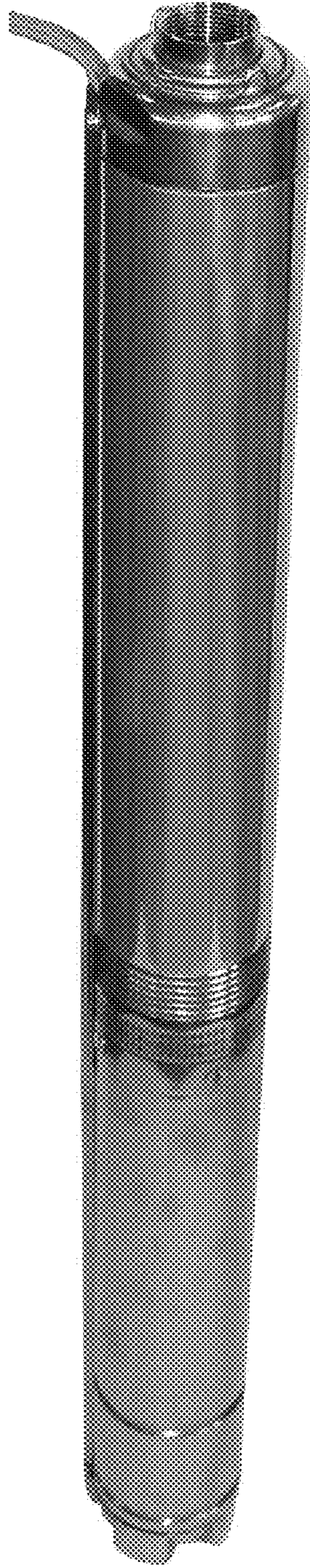


Fig. 1

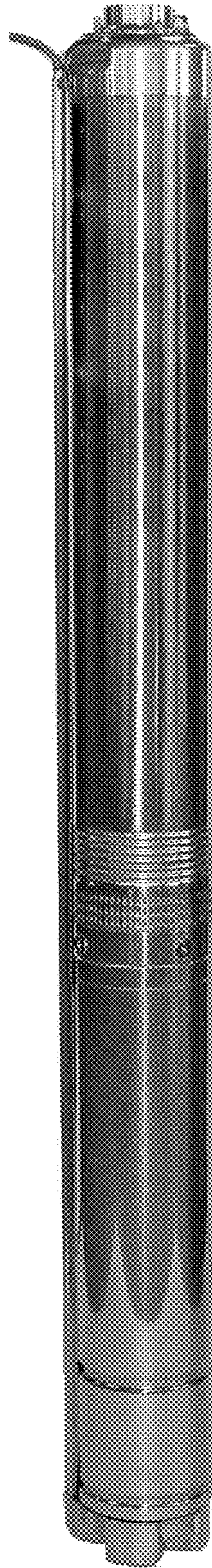


Fig. 2

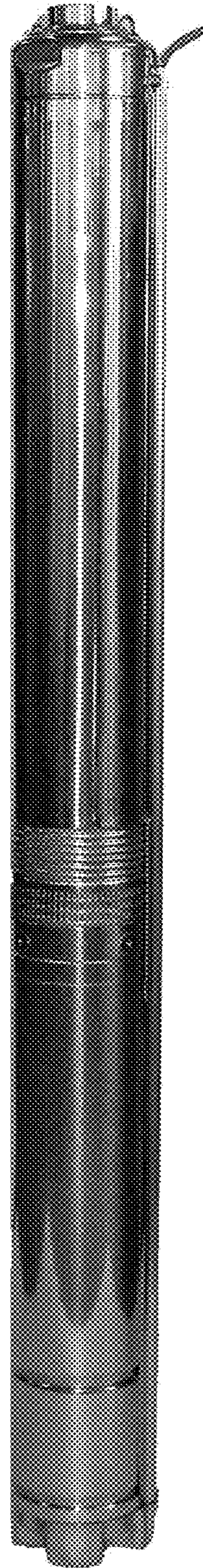


Fig. 3

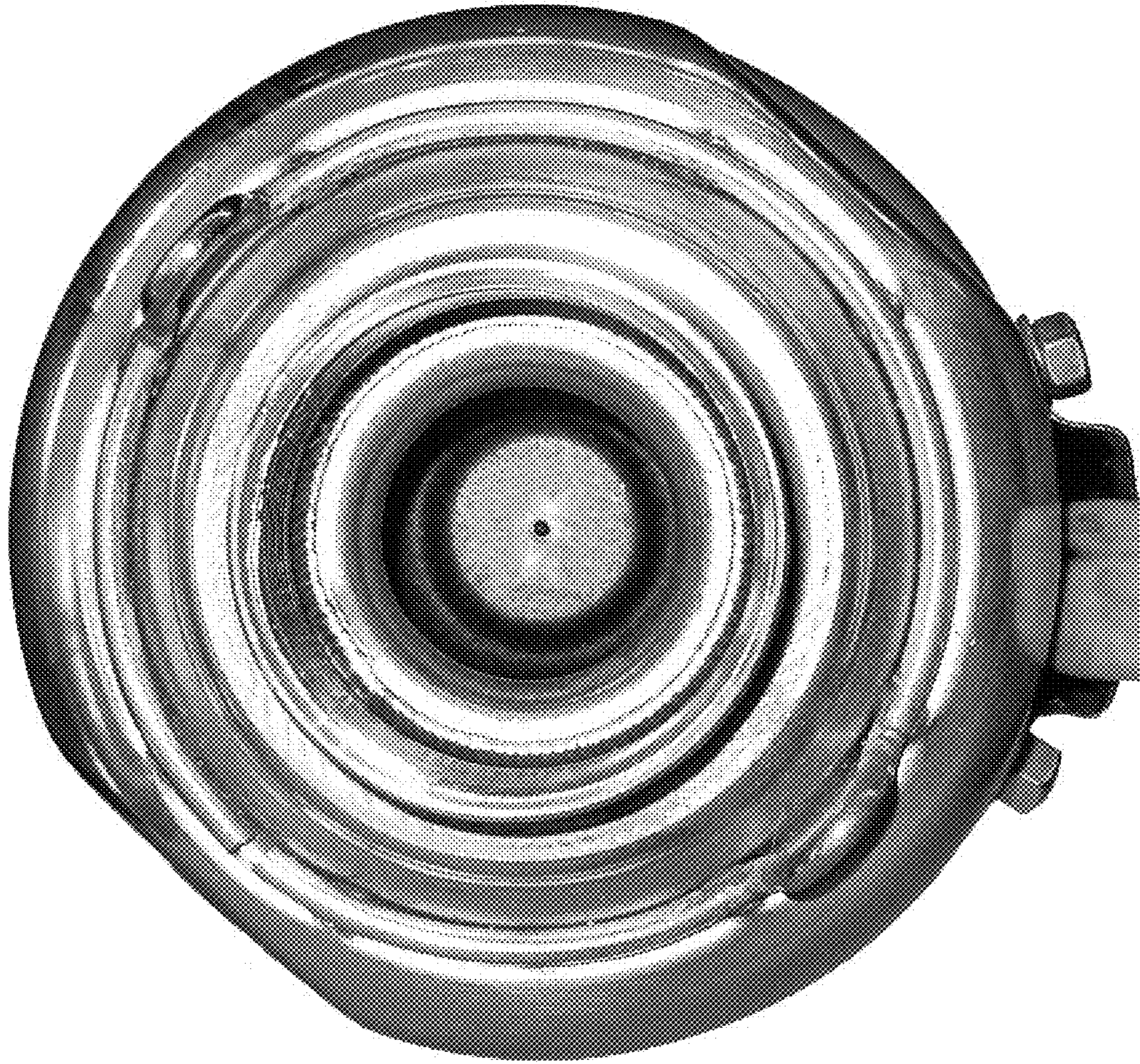


Fig. 4

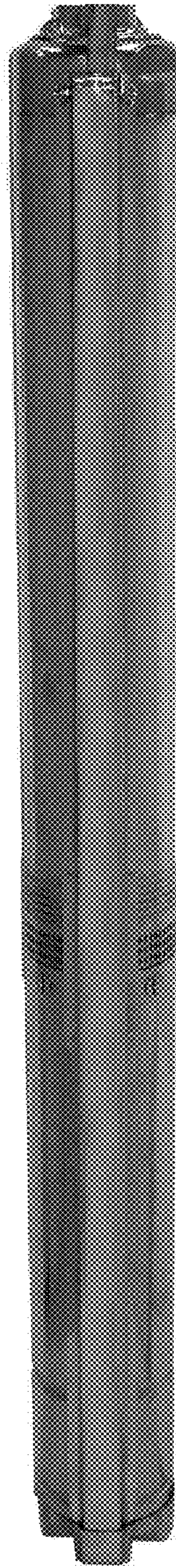


Fig. 5

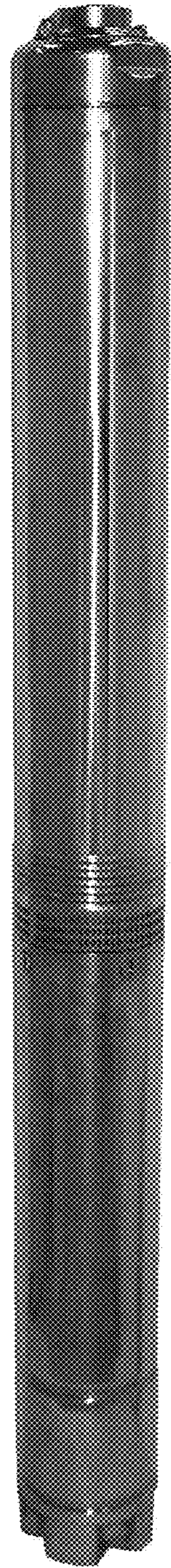


Fig. 6

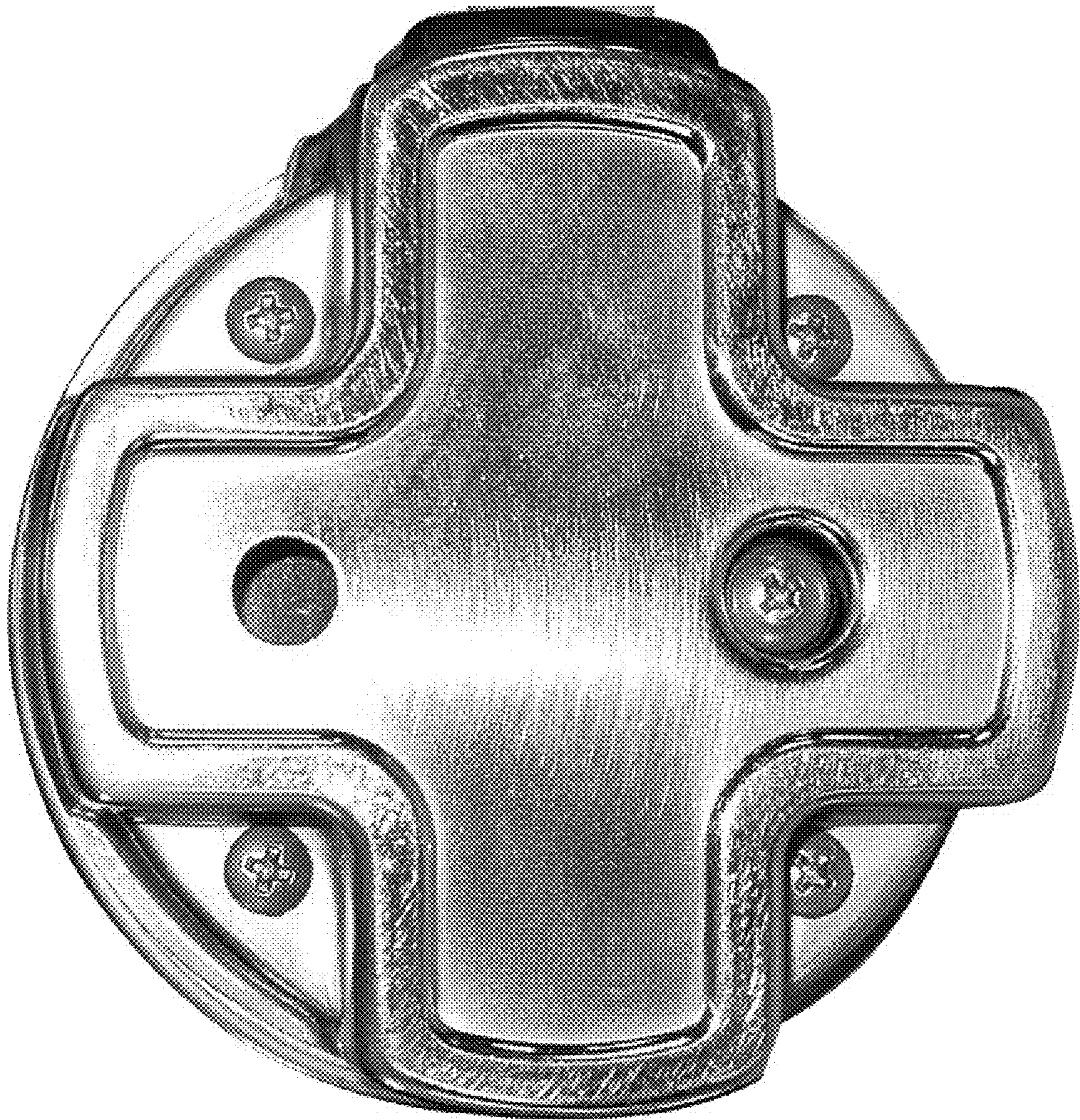


Fig. 7