



US00D557285S

(12) **United States Design Patent** (10) **Patent No.:** **US D557,285 S**
Miller et al. (45) **Date of Patent:** **** Dec. 11, 2007**

(54) **SINGLE-PORT FLUID MANIFOLD**

(75) Inventors: **Darin Miller**, Sachse, TX (US); **Jeff R. Summers**, Plano, TX (US); **David Todd Ernst**, Allen, TX (US)

(73) Assignee: **Quest Medical, Inc.**, Allen, TX (US)

(**) Term: **14 Years**

(21) Appl. No.: **29/276,408**

(22) Filed: **Jan. 24, 2007**

(51) **LOC (8) Cl.** **15-01**

(52) **U.S. Cl.** **D15/5**

(58) **Field of Classification Search** D15/5;
D23/233-237, 269; 210/335; 604/246,
604/248, 249, 537, 99, 32, 33; 137/596.13,
137/596.16, 597.16, 1, 137, 352, 343, 577,
137/505.38

See application file for complete search history.

(56) **References Cited**

U.S. PATENT DOCUMENTS

6,083,205 A * 7/2000 Bourne et al. 604/246
6,902,673 B2 * 6/2005 Smit et al. 210/335

D542,307 S * 5/2007 Stephenson et al. D15/5
D544,500 S * 6/2007 Nimberger D15/5
D544,883 S * 6/2007 Nimberger D15/5
D544,884 S * 6/2007 Nimberger et al. D15/5
2004/0016691 A1 * 1/2004 Smit et al. 210/304
2005/0189283 A1 * 9/2005 Smit et al. 210/335

* cited by examiner

Primary Examiner—Ian Simmons

Assistant Examiner—Maurice Stevens

(74) *Attorney, Agent, or Firm*—David W. Carstens; Jeffrey G. Degenfelder; Carstens & Cahoon, LLP

(57) **CLAIM**

The ornamental design for single port fluid manifold, as shown and described.

DESCRIPTION

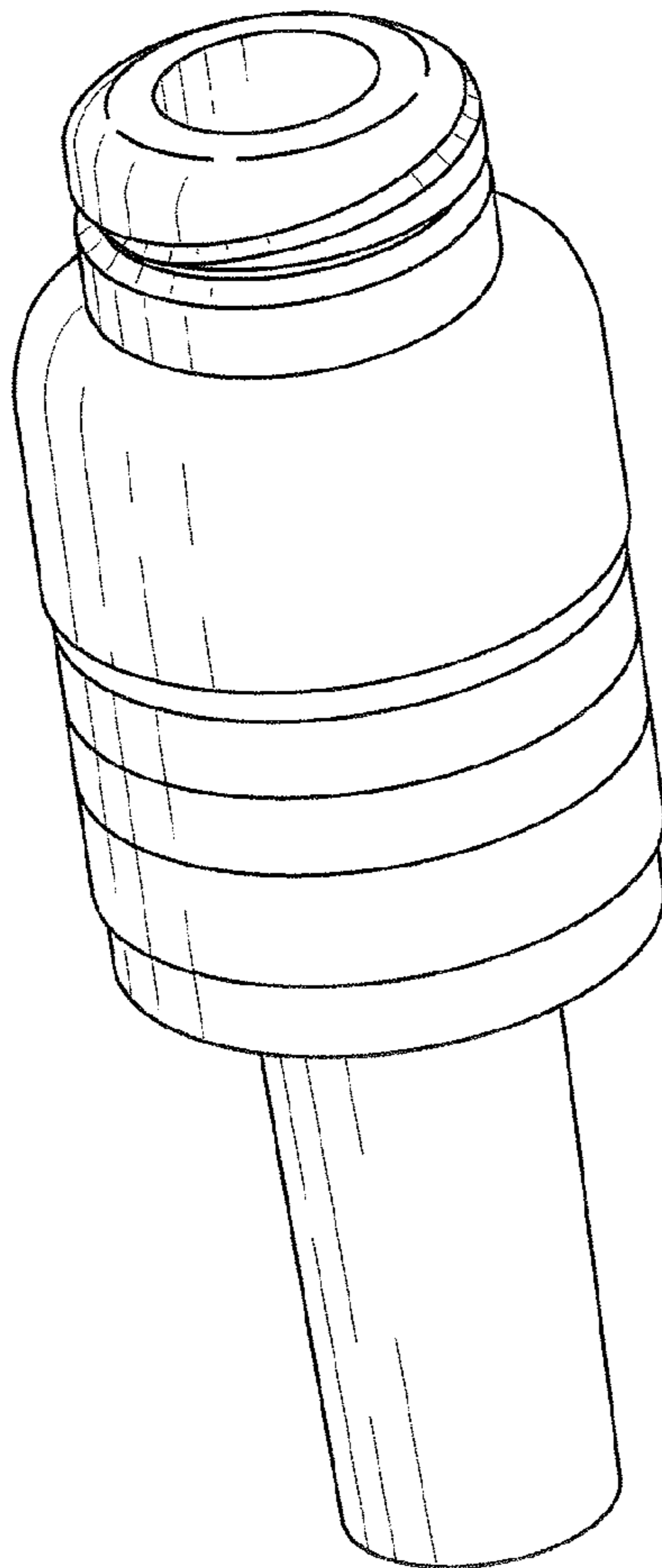
FIG. 1 is a perspective view of the single-port fluid manifold of the present invention.

FIG. 2 is a side elevation view thereof;

FIG. 3 is a top plan view thereof; and,

FIG. 4 is a bottom plan view thereof.

1 Claim, 4 Drawing Sheets



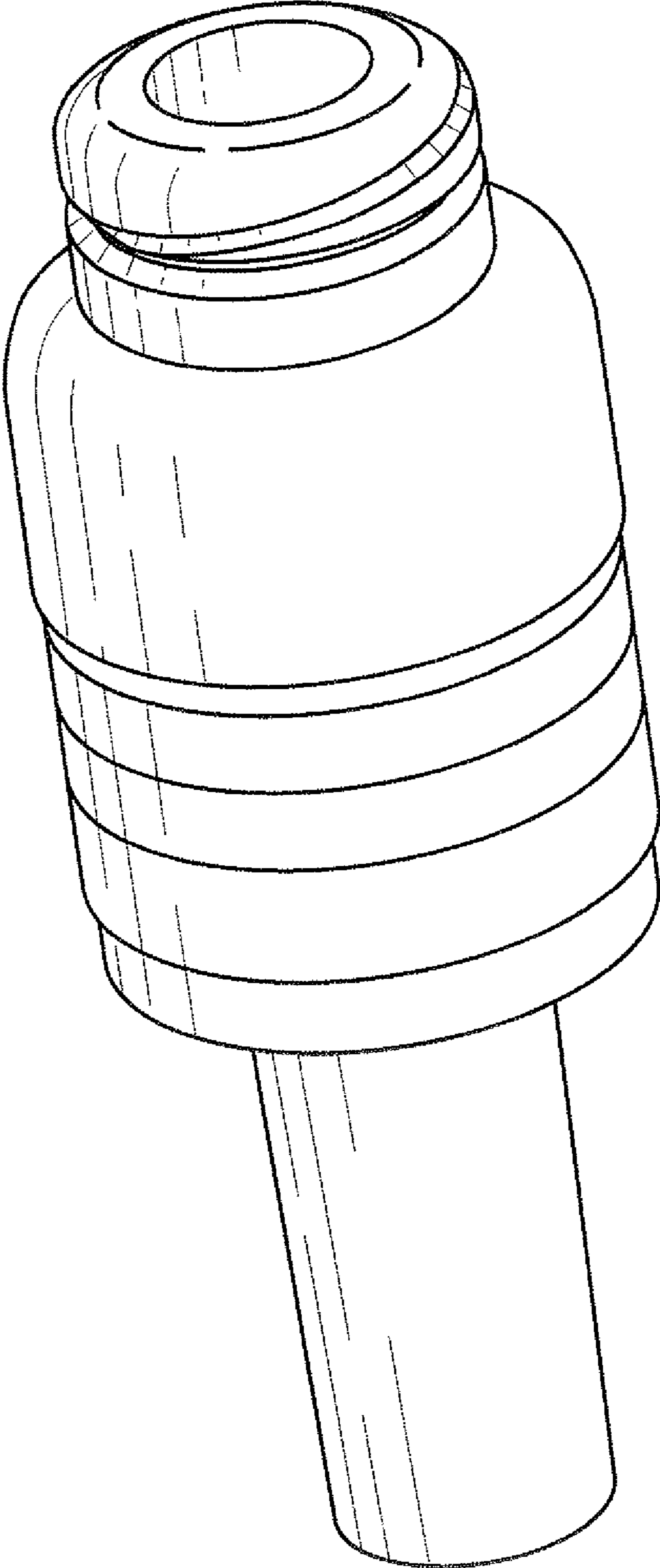


FIG. 1

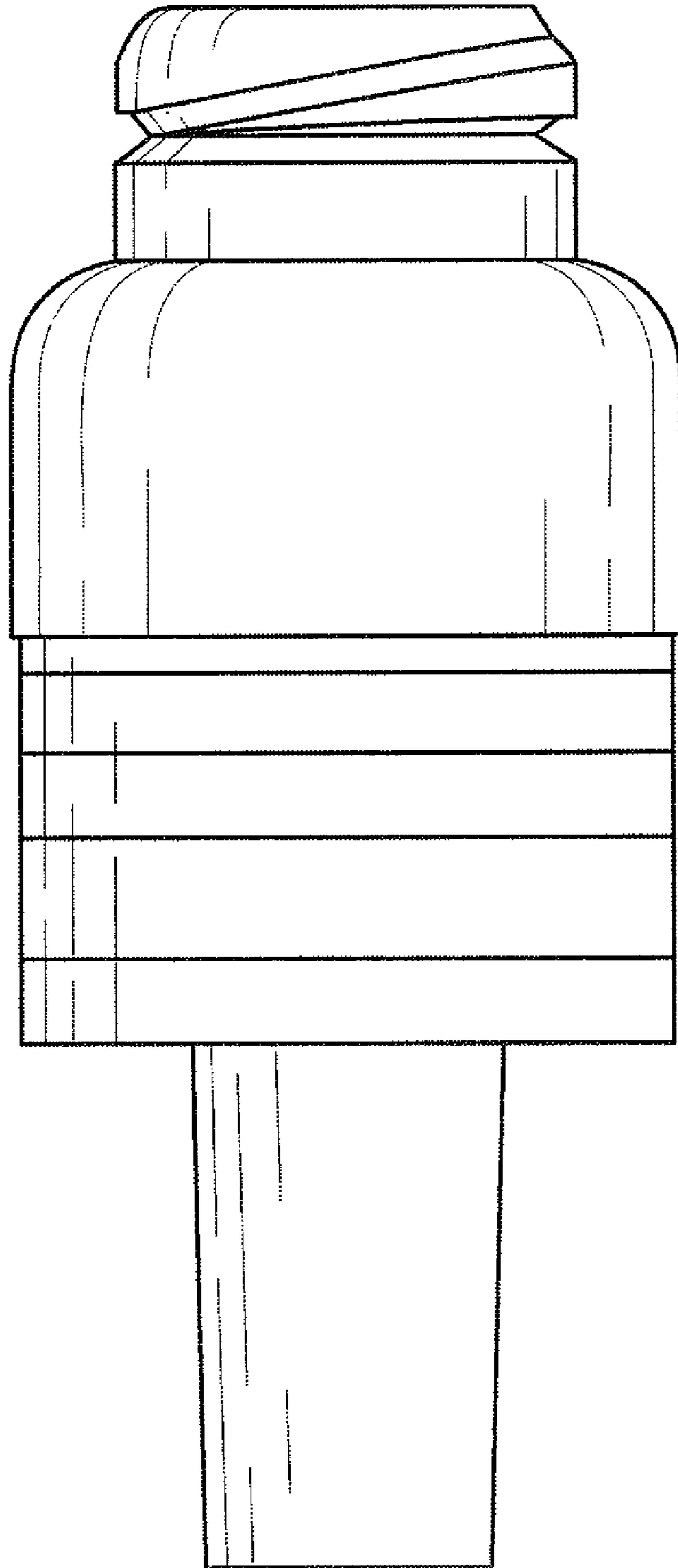


FIG. 2

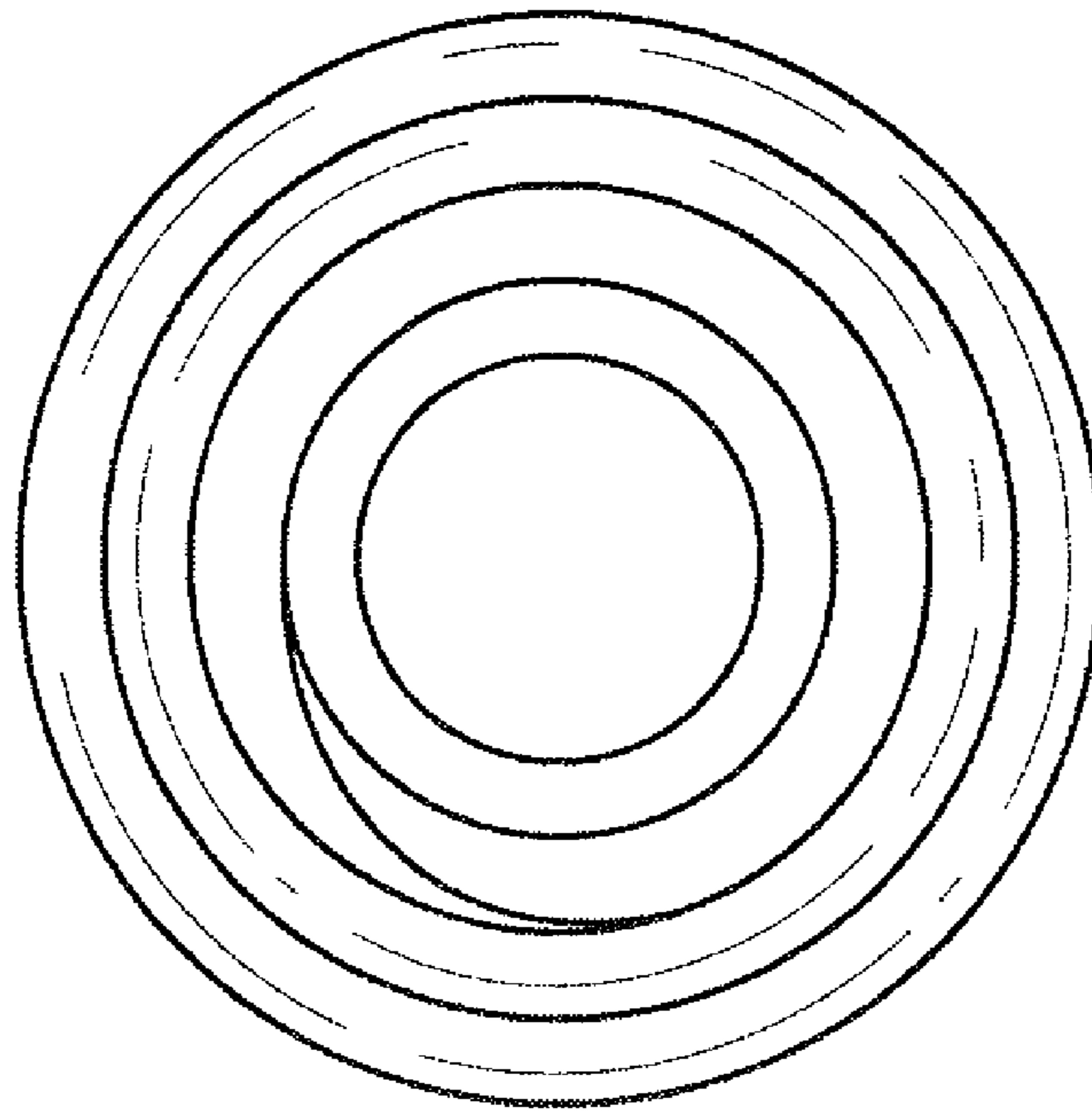


FIG. 3

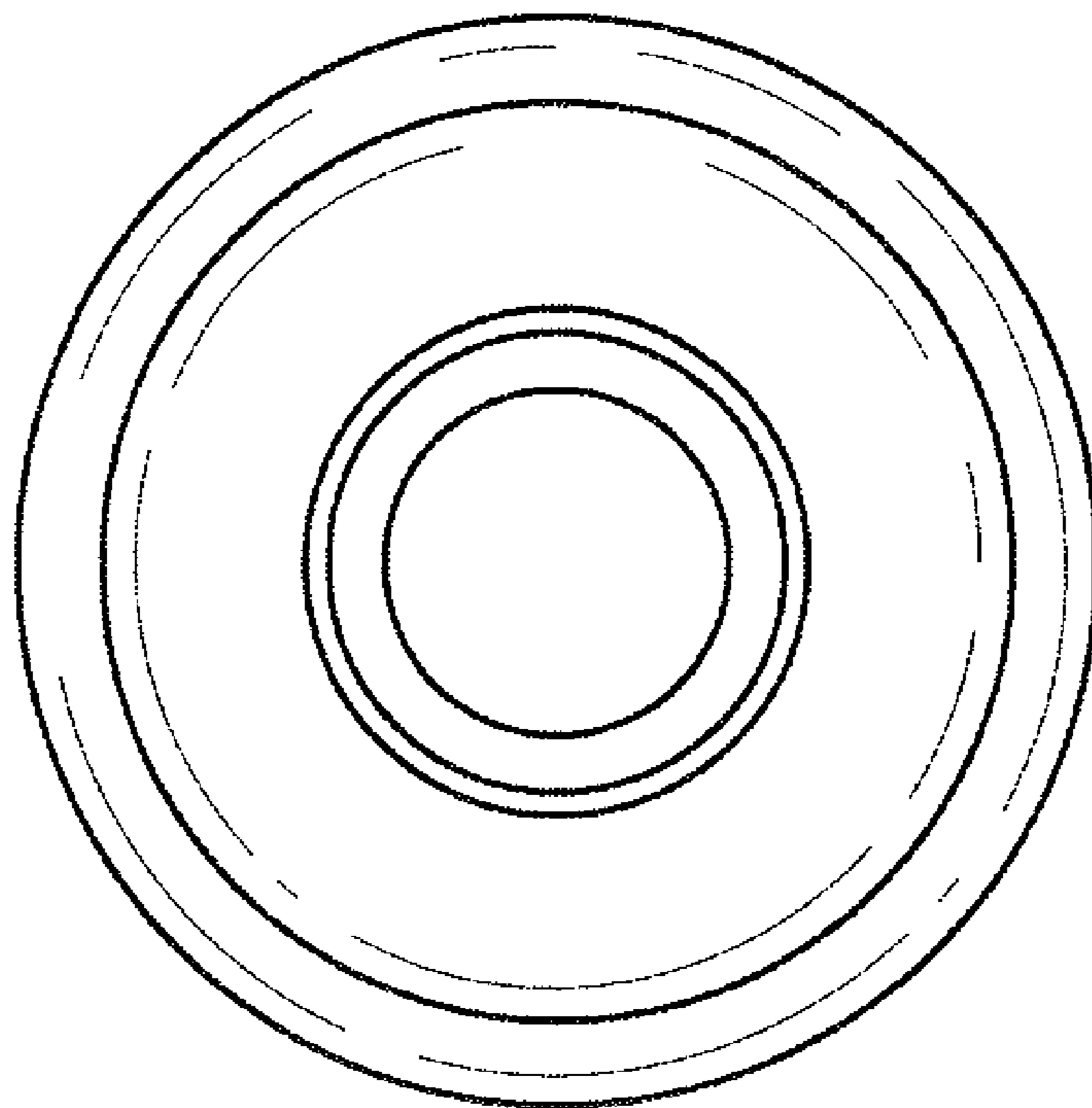


FIG. 4