



US00D557280S

(12) **United States Design Patent**
Osumi

(10) **Patent No.:** **US D557,280 S**

(45) **Date of Patent:** **** Dec. 11, 2007**

(54) **INTERNAL COMBUSTION ENGINE**

(75) **Inventor:** **Masayuki Osumi, Wako (JP)**

(73) **Assignee:** **Honda Motor Co., Ltd., Tokyo (JP)**

(**) **Term:** **14 Years**

(21) **Appl. No.:** **29/266,732**

(22) **Filed:** **Sep. 28, 2006**

(30) **Foreign Application Priority Data**

Mar. 30, 2006 (JP) 2006-008136

(51) **LOC (8) Cl.** **15-01**

(52) **U.S. Cl.** **D15/1**

(58) **Field of Classification Search** D15/1,
D15/3, 5, 14, 17; 123/195.3, 198 E, 306,
123/308, 661, 667, 657, 50 A, 41.7, 50 B,
123/5

See application file for complete search history.

(56) **References Cited**

U.S. PATENT DOCUMENTS

D307,148 S *	4/1990	Mikado	D15/1
D309,458 S *	7/1990	Johnson et al.	D15/1
D343,843 S *	2/1994	Mikado	D15/1
D367,070 S *	2/1996	Maeda et al.	D15/1
D396,045 S *	7/1998	Neeley	D15/1
D397,342 S *	8/1998	Shimizu	D15/5
D421,024 S *	2/2000	Katoh	D15/1
D449,051 S *	10/2001	Miyashita	D15/1
D491,192 S *	6/2004	Davis	D15/1

D506,760 S *	6/2005	Lin et al.	D15/1
D515,589 S *	2/2006	Lin et al.	D15/1
D525,990 S *	8/2006	Ono et al.	D15/1
D529,046 S *	9/2006	Maeda et al.	D15/1

FOREIGN PATENT DOCUMENTS

JP 1046147 S 8/1999

* cited by examiner

Primary Examiner—Ian Simmons

Assistant Examiner—Maurice Stevens

(74) *Attorney, Agent, or Firm*—Birch, Stewart, Kolasch & Birch, LLP

(57) **CLAIM**

The ornamental design for an internal combustion engine, as shown and described.

DESCRIPTION

FIG. 1 is a perspective view of an internal combustion engine.

FIG. 2 is a perspective view thereof.

FIG. 3 is a front elevation view thereof.

FIG. 4 is a rear elevation view thereof.

FIG. 5 is a top plan view thereof.

FIG. 6 is a bottom plan view thereof.

FIG. 7 is a left side elevation view thereof; and,

FIG. 8 is a right side elevation view thereof.

1 Claim, 8 Drawing Sheets

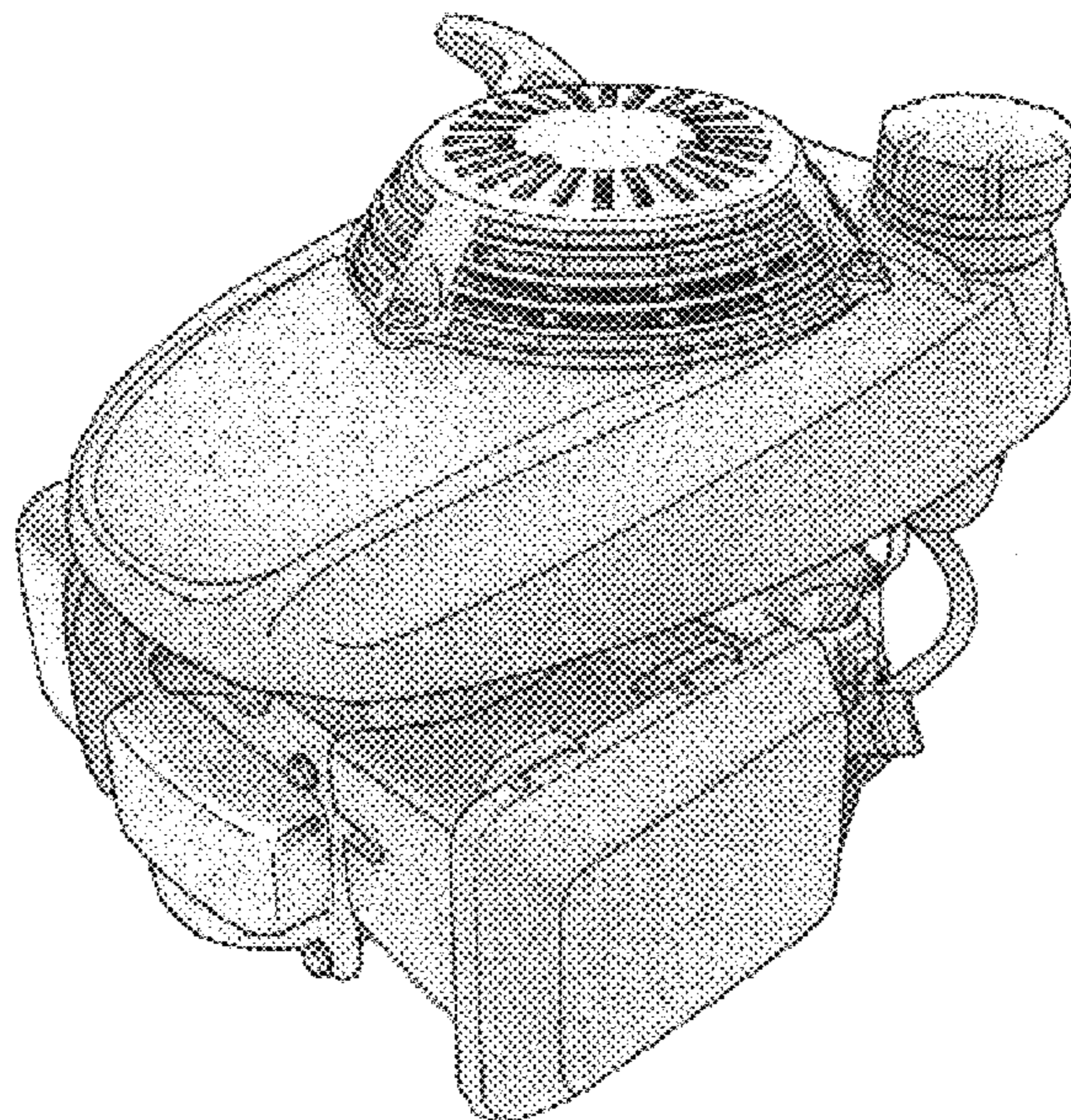


FIG. 1

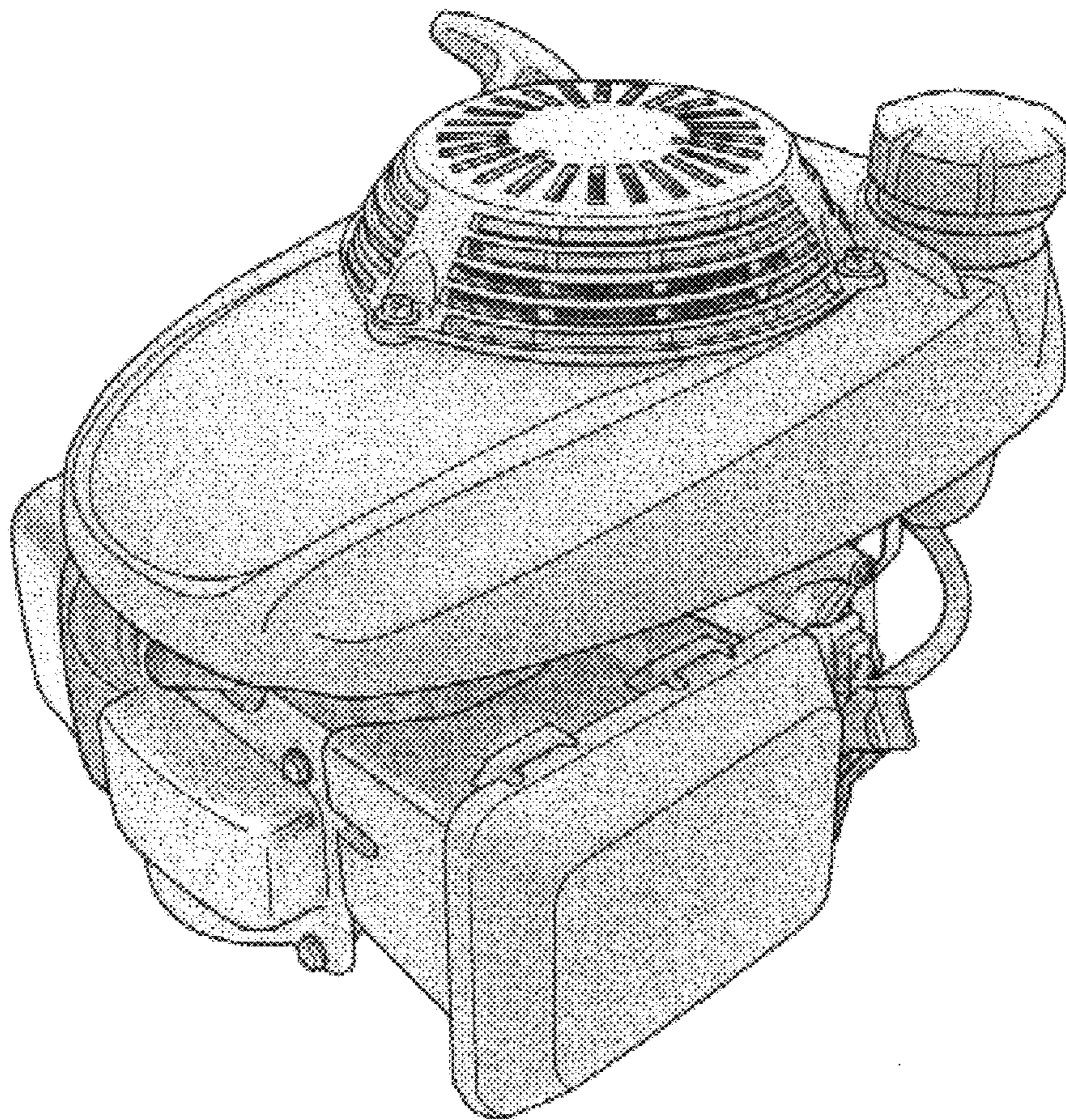


FIG. 2

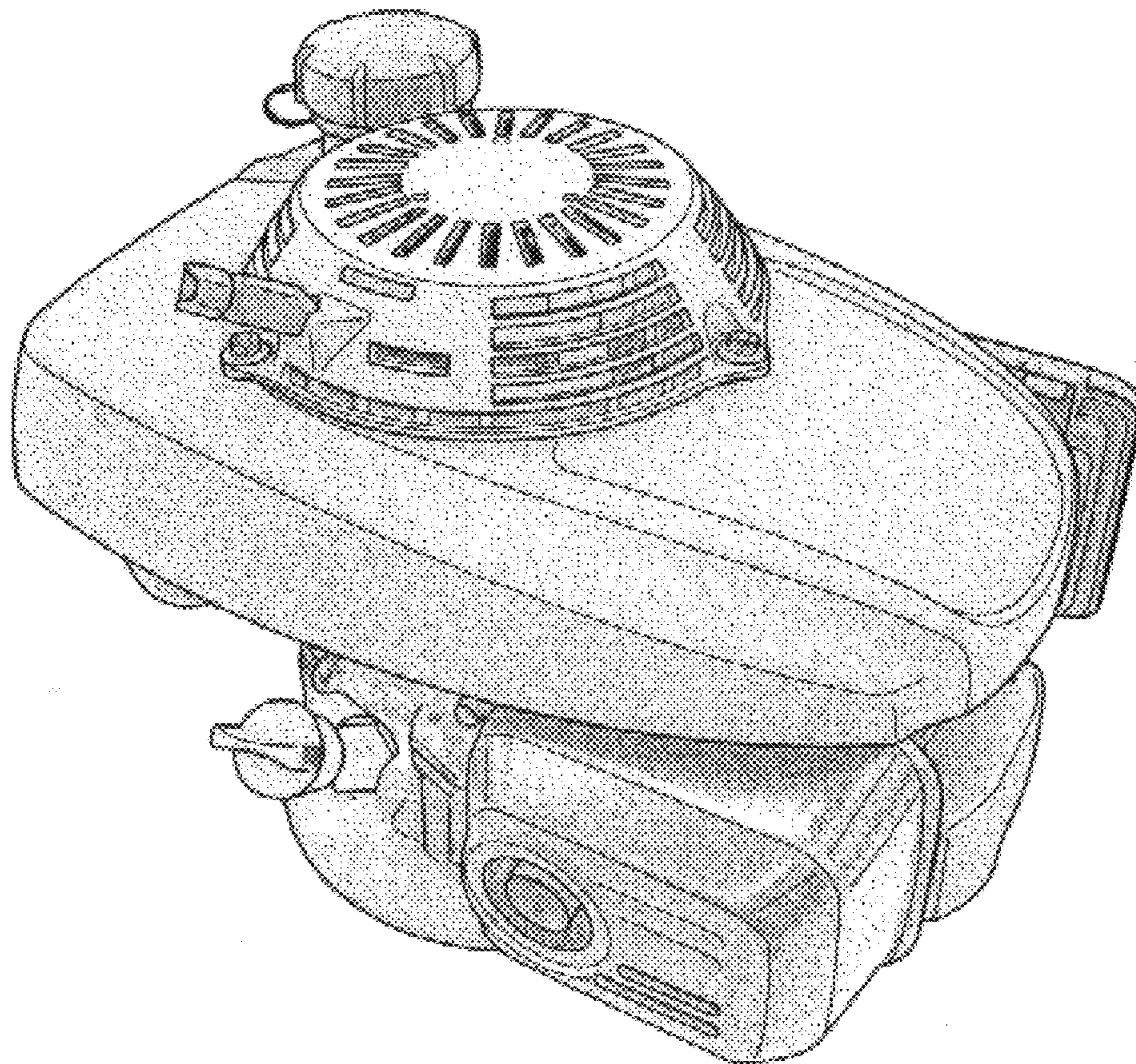


FIG. 3

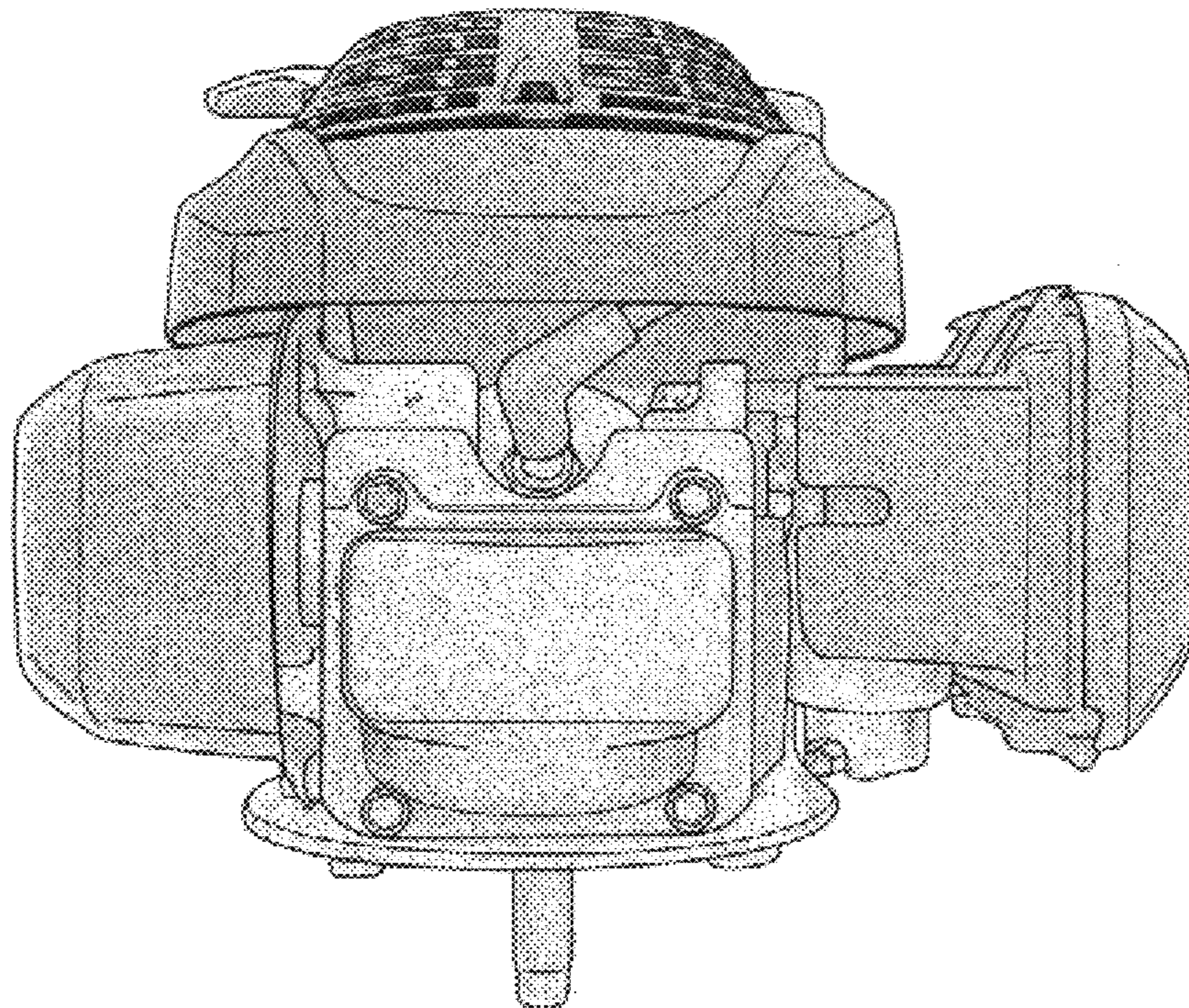


FIG. 4

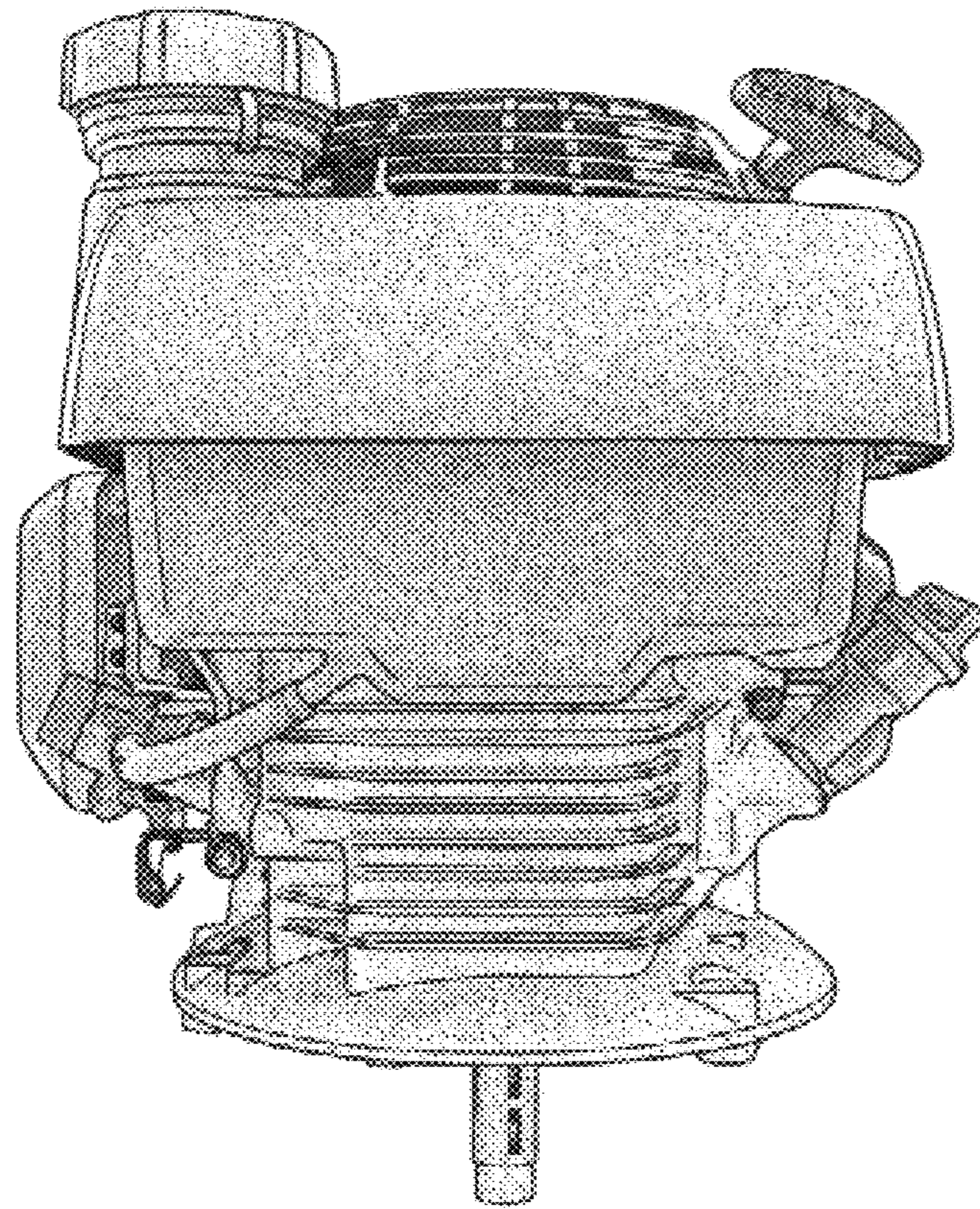


FIG. 5

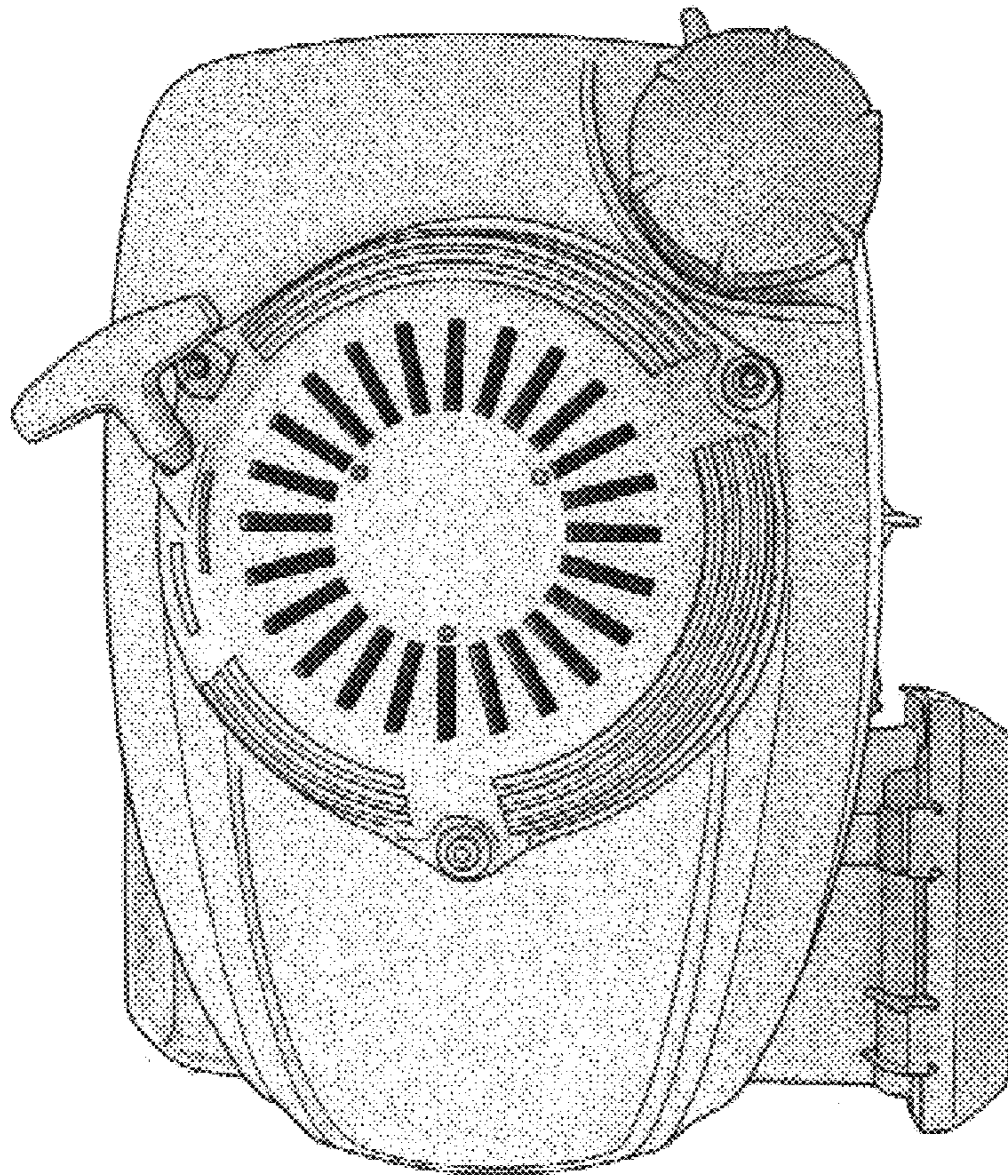


FIG. 6

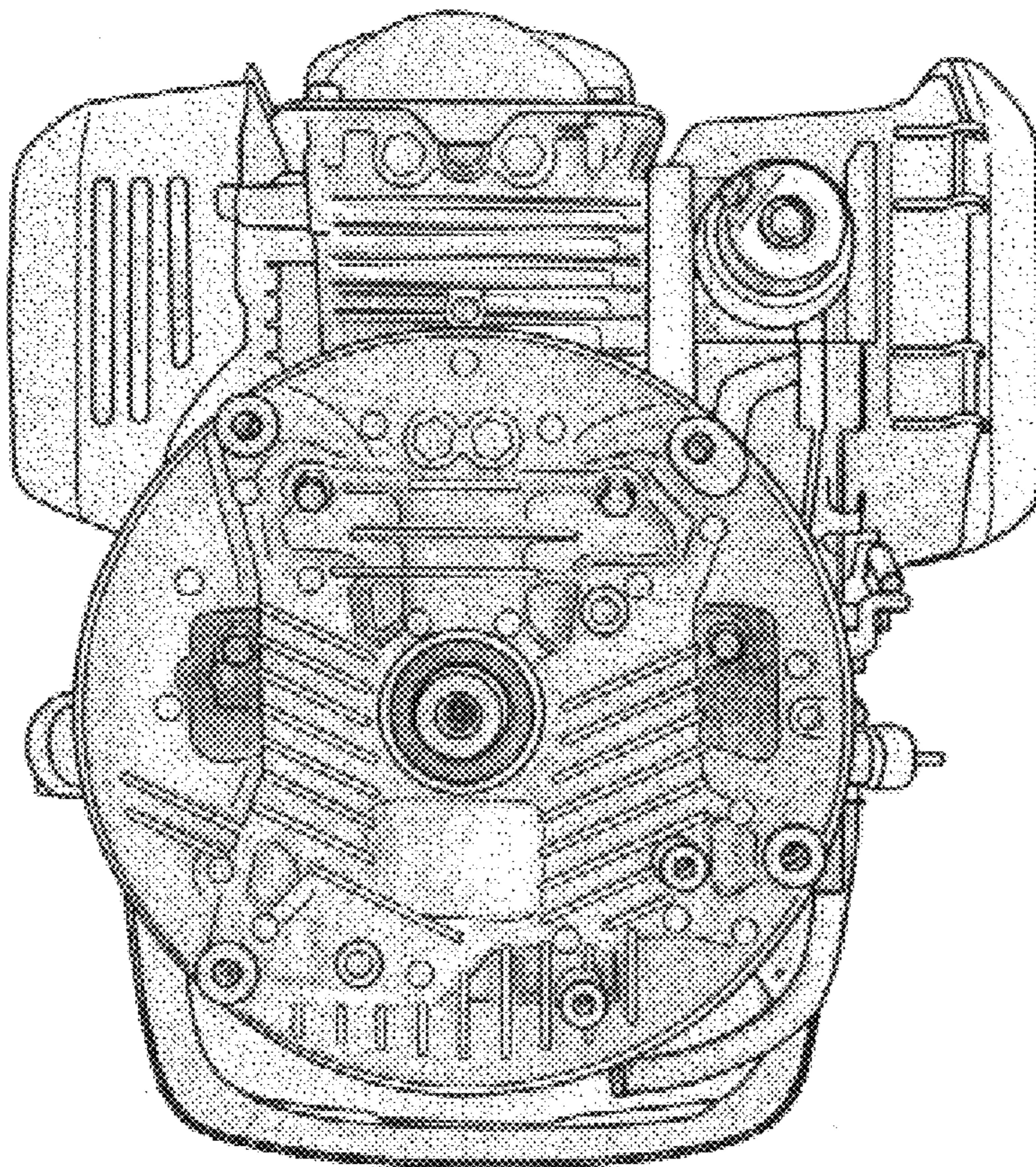


FIG. 7

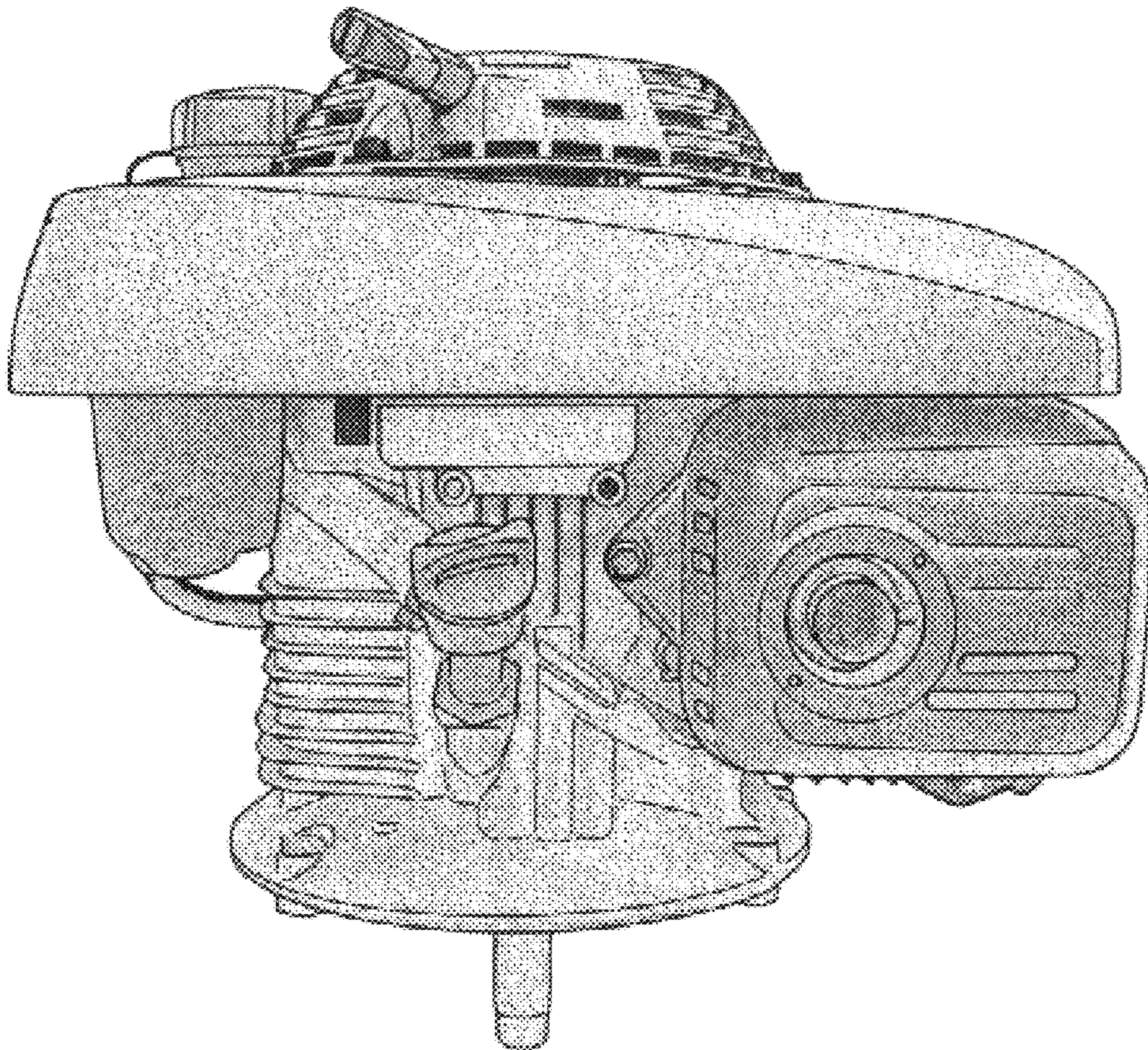


FIG. 8

