

US00D557279S

(12) **United States Design Patent**
Kim

(10) **Patent No.:** **US D557,279 S**

(45) **Date of Patent:** **** Dec. 11, 2007**

(54) **MP3 PLAYER**

(75) Inventor: **Goang Tae Kim**, Kyungki-do (KR)

(73) Assignee: **Samsung Electronics Co., Ltd.** (KR)

(**) Term: **14 Years**

(21) Appl. No.: **29/252,912**

(22) Filed: **Jan. 30, 2006**

(30) **Foreign Application Priority Data**

Oct. 11, 2005 (KR) 30-2005-0034295

(51) **LOC (8) Cl.** **14-03**

(52) **U.S. Cl.** **D14/496**

(58) **Field of Classification Search** D14/496,
D14/401, 435, 474, 483, 217, 137, 138, 160,
D14/168; 345/156, 169, 173-179, 905; 715/727-729,
715/864; 455/11.1, 7, 73, 344-347, 93, 95;
370/342-344; 369/1, 2, 6, 12; 463/43-47;
273/148 B

See application file for complete search history.

(56) **References Cited**

U.S. PATENT DOCUMENTS

6,122,526 A * 9/2000 Parulski et al. 455/556.1
D452,250 S * 12/2001 Chan D14/496
D478,889 S * 8/2003 Kulkarmi D14/160

D486,133 S * 2/2004 Martinez et al. D14/156
D490,068 S * 5/2004 Chen D14/156
6,769,603 B2 * 8/2004 Nagai et al. 235/375
D509,833 S * 9/2005 Yang D14/496
7,013,164 B2 * 3/2006 Lin 455/557
D519,522 S * 4/2006 Lee D14/496
7,046,230 B2 * 5/2006 Zadesky et al. 345/156
D532,425 S * 11/2006 Kim D14/496
D536,703 S * 2/2007 Kim D14/496

* cited by examiner

Primary Examiner—Prabhakar Deshmukh

(74) *Attorney, Agent, or Firm*—Irving Keschner

(57) **CLAIM**

The ornamental design for an MP3 player, as shown.

DESCRIPTION

FIG. 1 is a perspective view of an MP3 player showing my new design;

FIG. 2 is a front elevational view thereof;

FIG. 3 is a rear elevational view thereof;

FIG. 4 is a left side elevational view thereof;

FIG. 5 is a right side elevational view thereof;

FIG. 6 is a top plan view thereof; and,

FIG. 7 is a bottom plan view thereof.

1 Claim, 5 Drawing Sheets

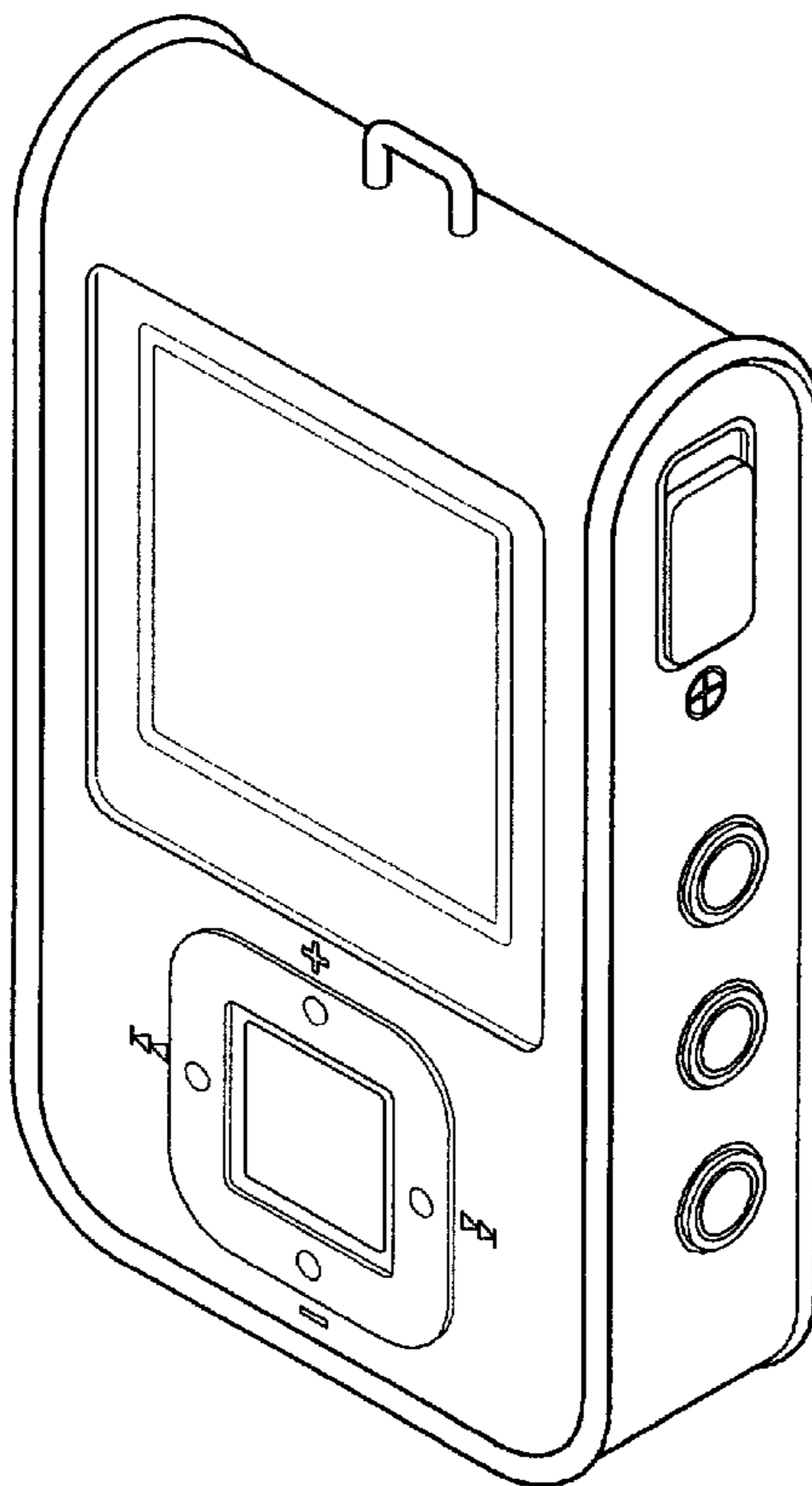


Fig. 1

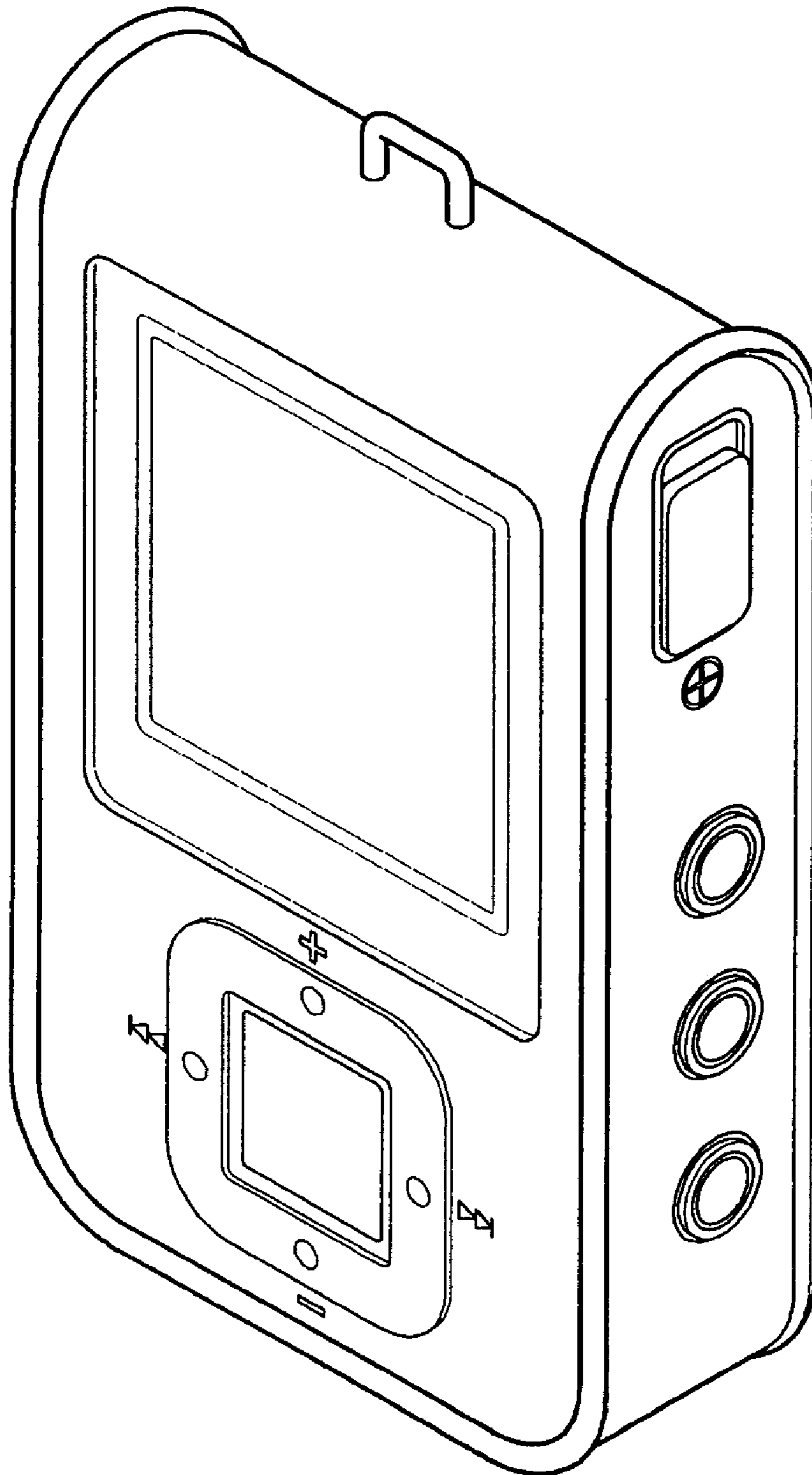


Fig. 2

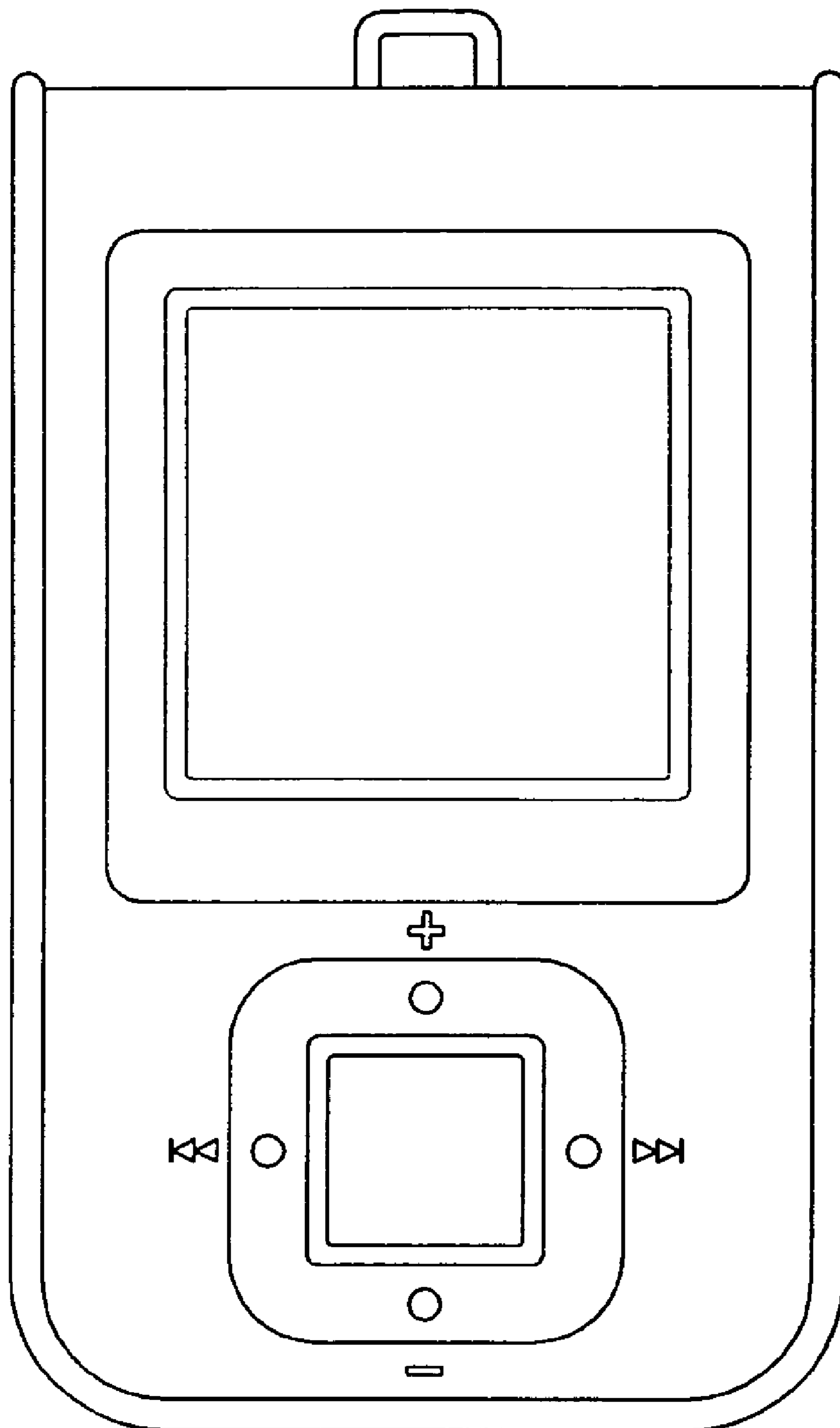


Fig. 3

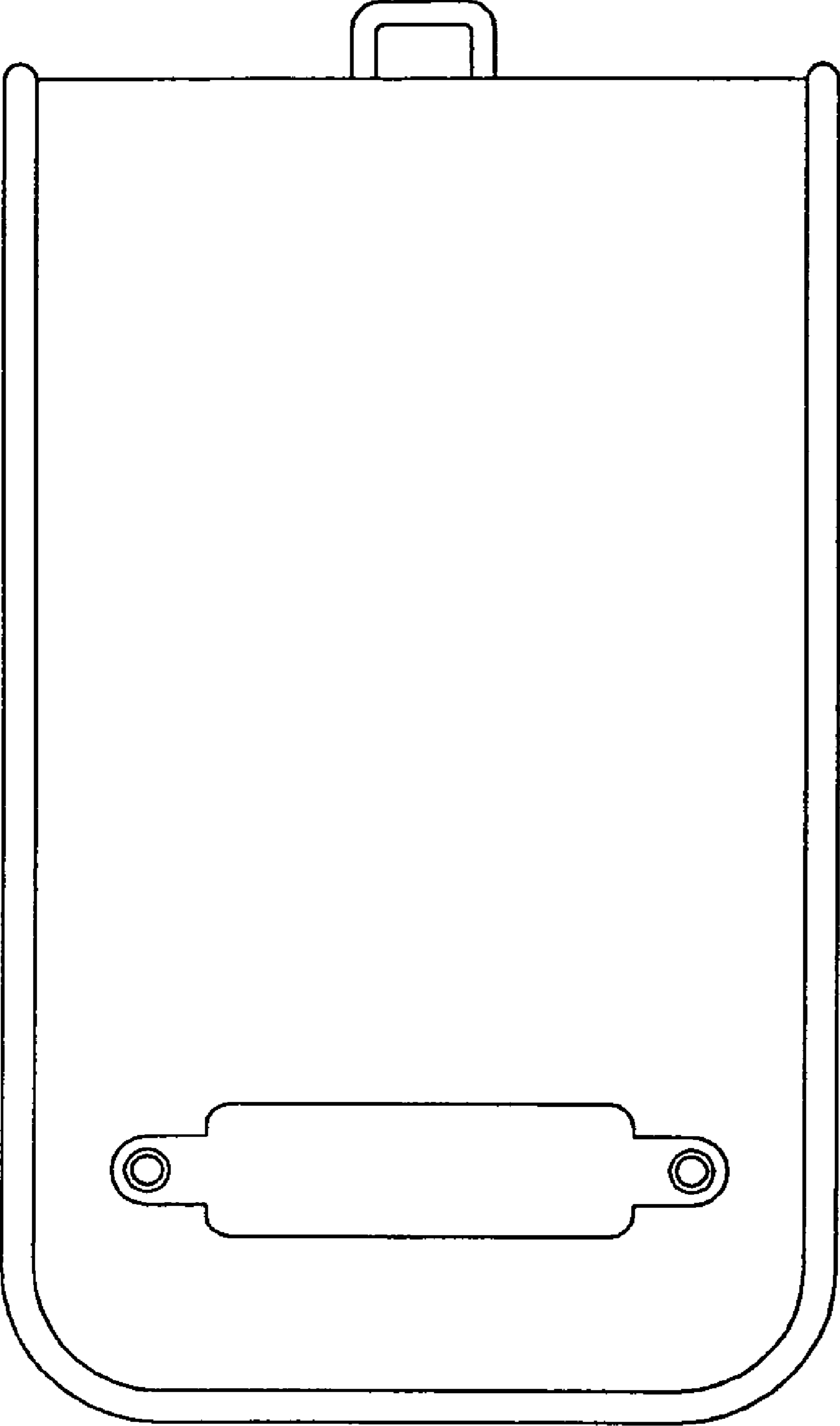


Fig. 4

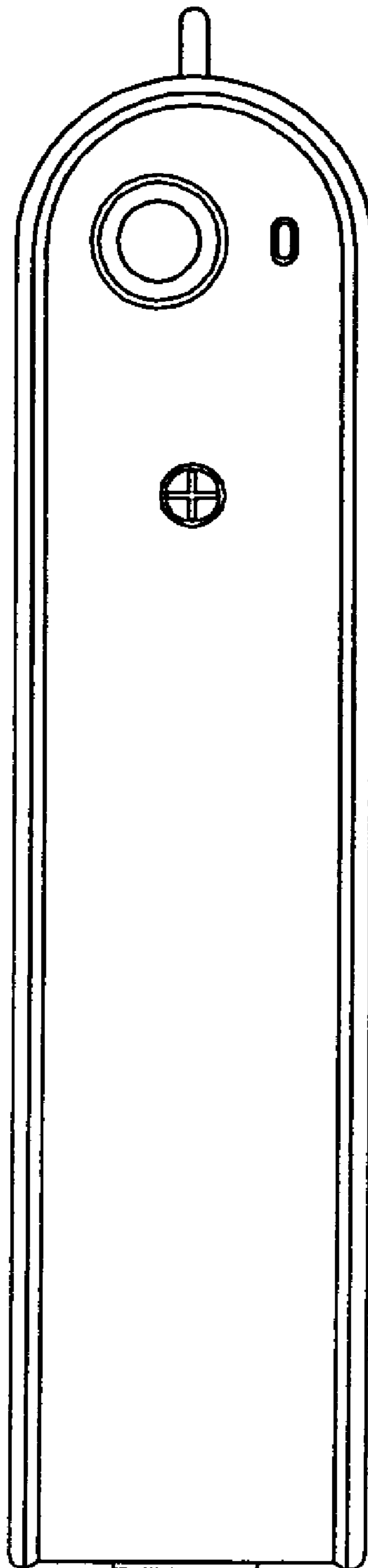


Fig. 5

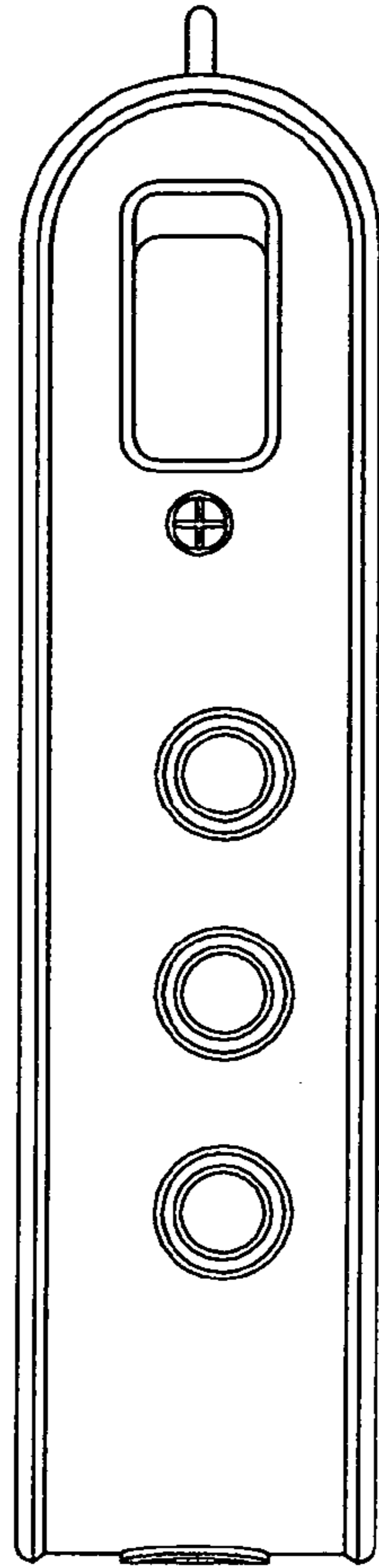


Fig. 6

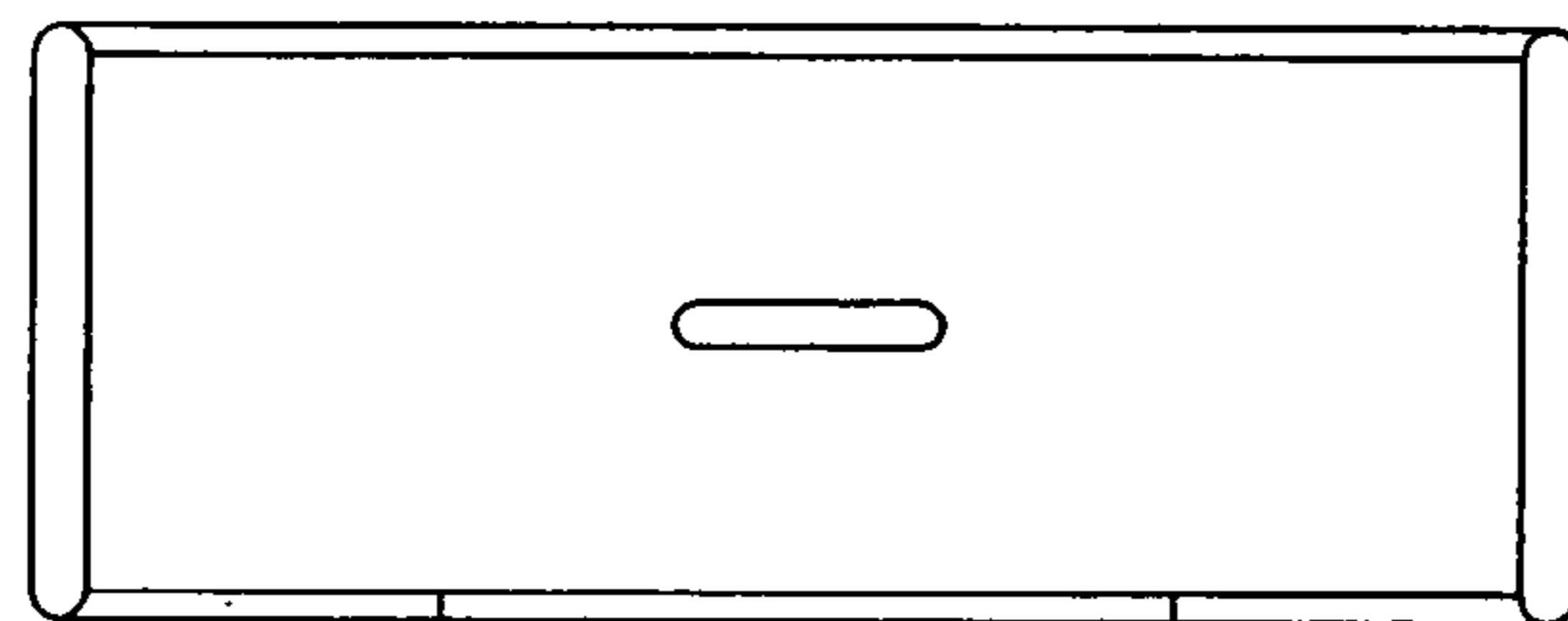


Fig. 7

