

US00D557265S

(12) **United States Design Patent**
Brown

(10) **Patent No.:** **US D557,265 S**

(45) **Date of Patent:** **** Dec. 11, 2007**

(54) **DRIVE THRU EQUIPMENT STAND**

(75) Inventor: **Michael E. Brown**, Kings Mills, OH
(US)

(73) Assignee: **E.F. Bavis & Associates, Inc.**,
Maineville, OH (US)

(**) Term: **14 Years**

(21) Appl. No.: **29/264,295**

(22) Filed: **Aug. 7, 2006**

(51) **LOC (8) Cl.** **08-07**

(52) **U.S. Cl.** **D14/447**

(58) **Field of Classification Search** D6/449,
D6/466; D13/184, 199; D14/299, 447; 248/133.1,
248/134, 146, 149, 309.1, 346.03, 346.5,
248/688

See application file for complete search history.

(56) **References Cited**

U.S. PATENT DOCUMENTS

- D276,100 S * 10/1984 Middleton D6/466
- D309,307 S * 7/1990 Sigurdson D14/251
- D358,144 S * 5/1995 Masaaki D14/447
- D385,437 S * 10/1997 Carbone, Sr. D6/449
- 6,019,325 A * 2/2000 Dotson et al. 248/121
- D442,967 S * 5/2001 Goto D14/447

- D454,136 S * 3/2002 Deuschle D14/447
- D478,434 S * 8/2003 Pearlson D6/449
- D530,333 S * 10/2006 Richter D14/447
- 2004/0118984 A1 * 6/2004 Kim et al. 248/149
- 2004/0256524 A1 * 12/2004 Beck et al. 248/146

* cited by examiner

Primary Examiner—Antoine D. Davis

Assistant Examiner—Patricia Palasik

(74) *Attorney, Agent, or Firm*—Dinsmore & Shohl LLP

(57) **CLAIM**

The ornamental design for a drive thru equipment stand, as shown.

DESCRIPTION

FIG. 1 is a perspective view of an drive thru equipment stand illustrating our new design;

FIG. 2 is a front view of the design of FIG. 1;

FIG. 3 is a rear view of the design of FIG. 1;

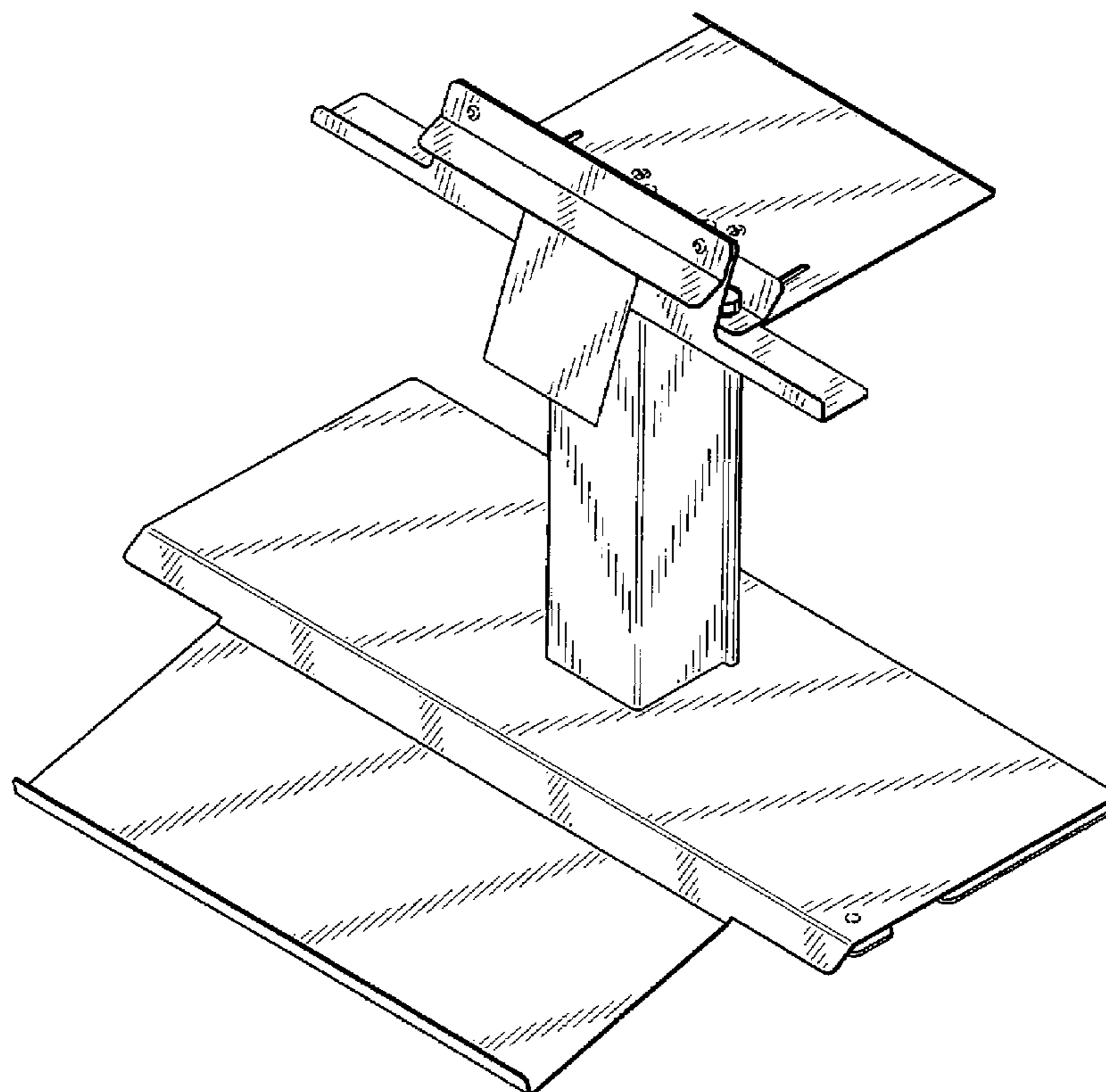
FIG. 4 is a left side view of the design of FIG. 1;

FIG. 5 is a right side view of the design of FIG. 1;

FIG. 6 is a top plan view of the design in FIG. 1; and,

FIG. 7 is a bottom plan view of the design in FIG. 1.

1 Claim, 7 Drawing Sheets



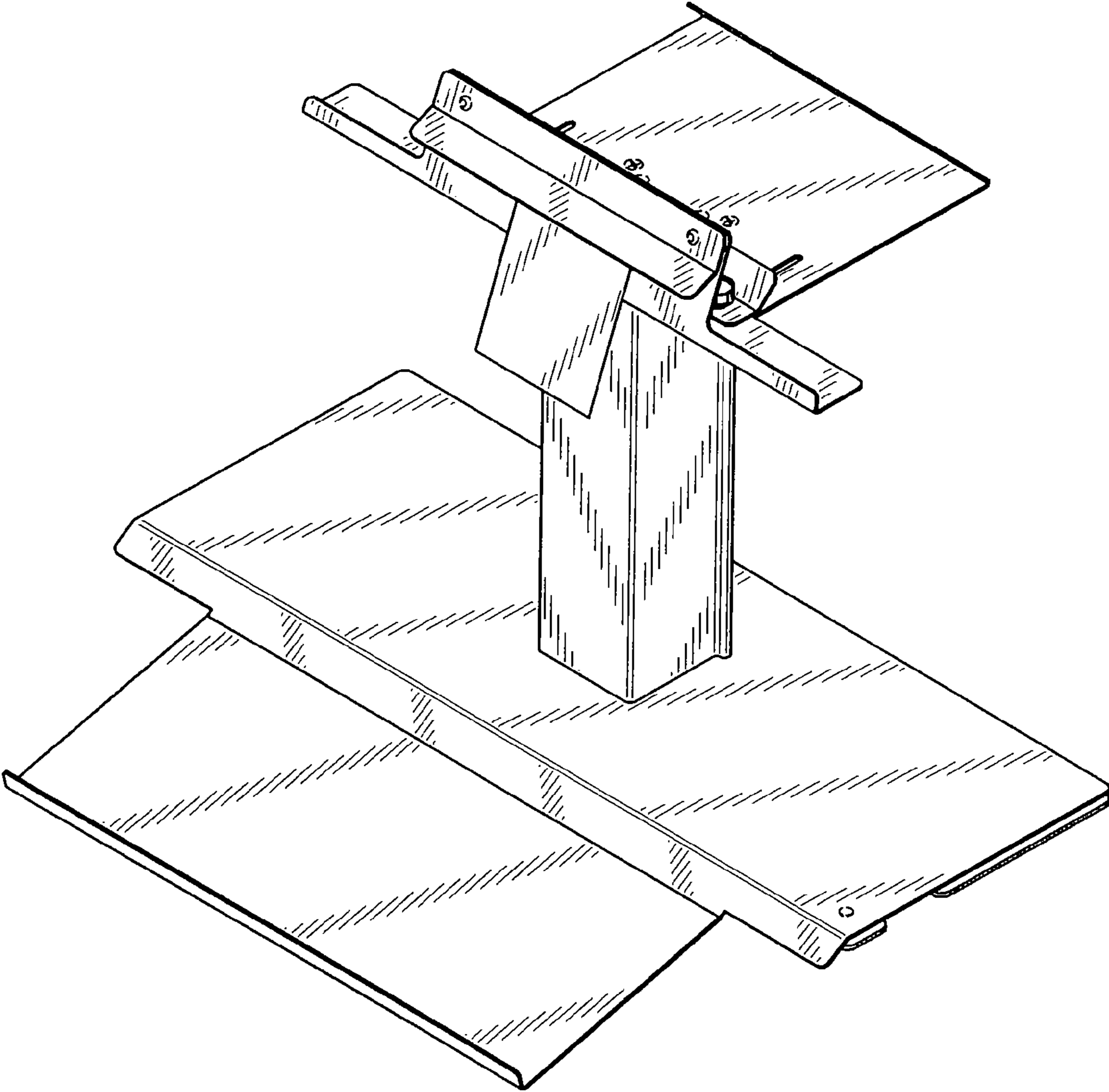


FIG. 1

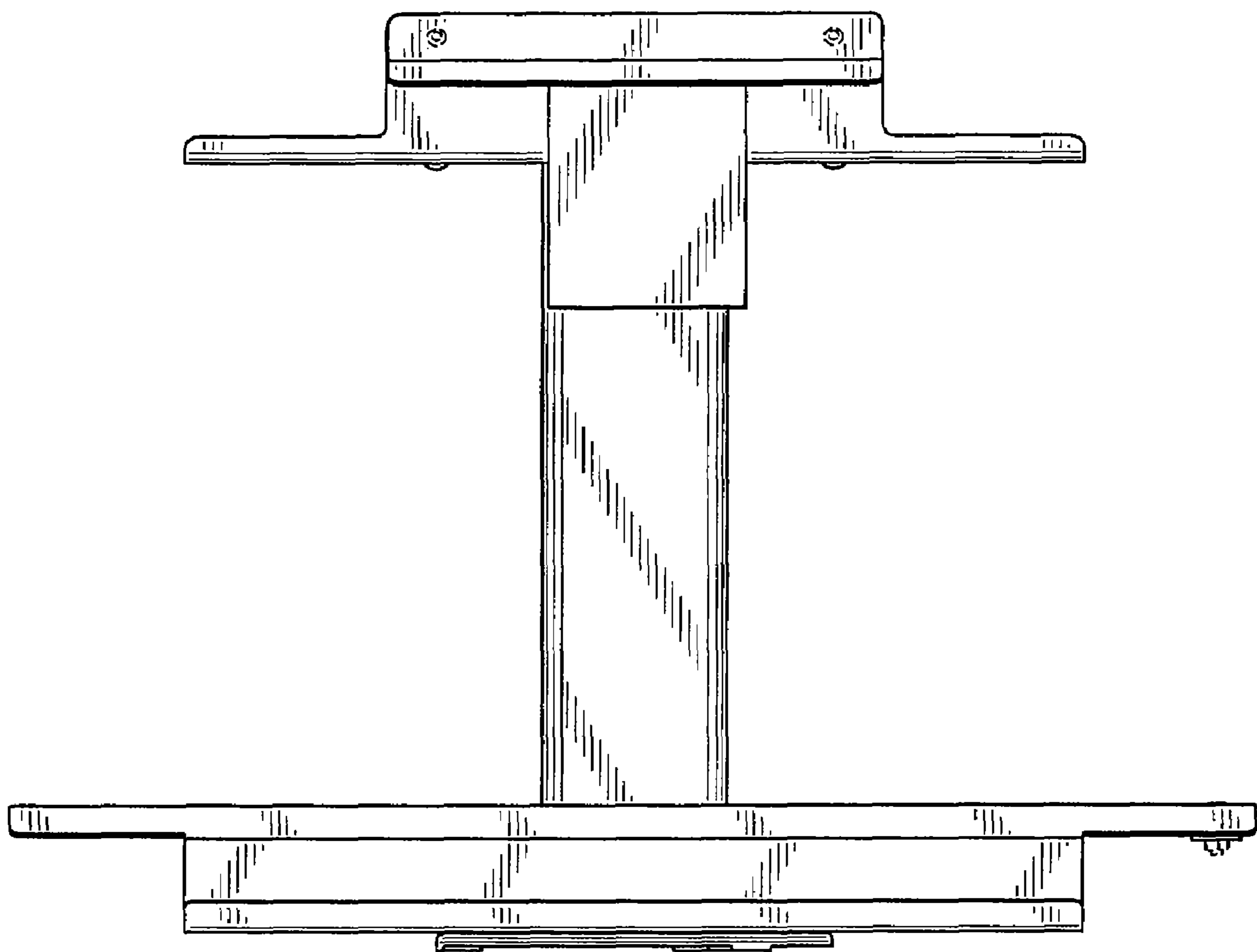


FIG. 2

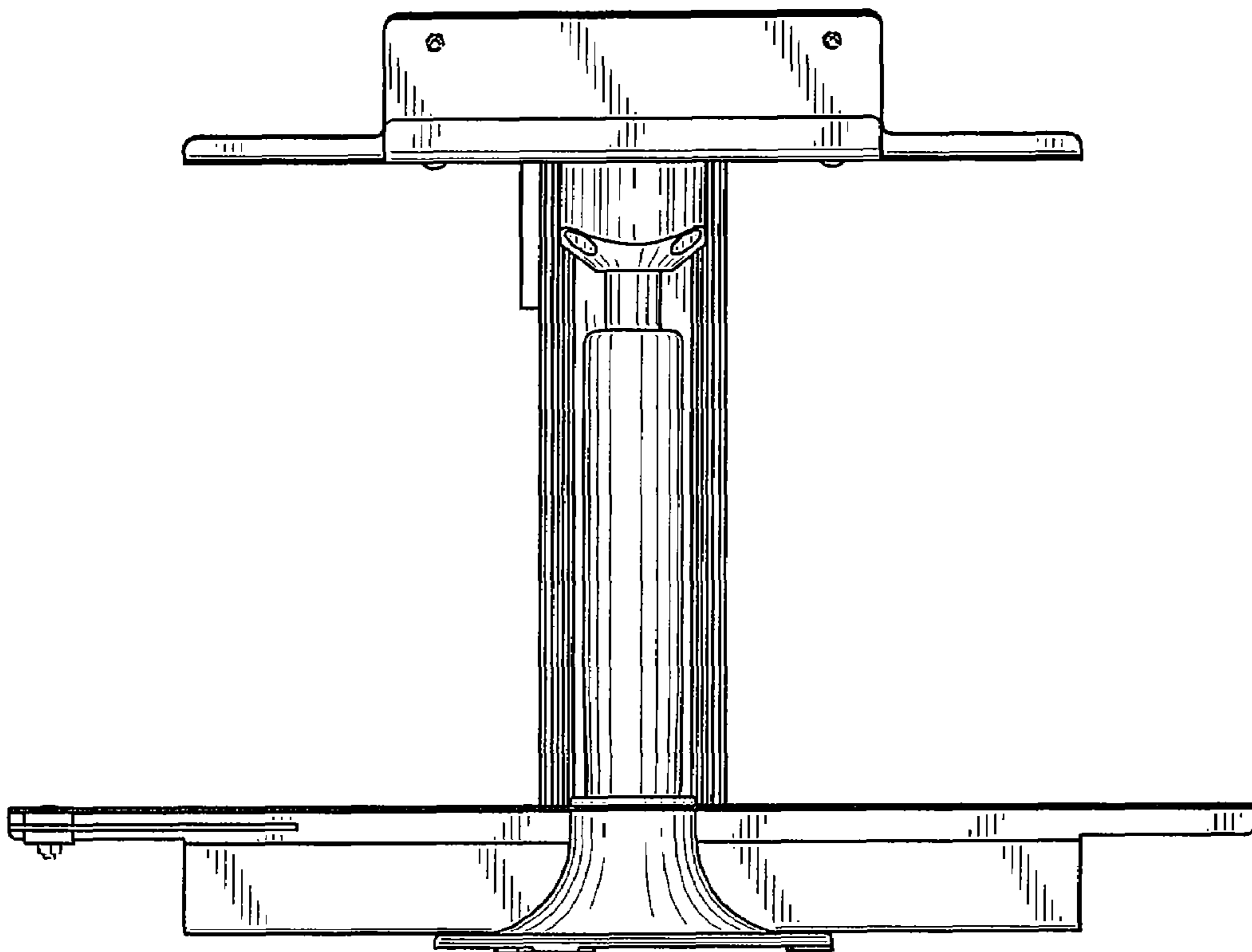


FIG. 3

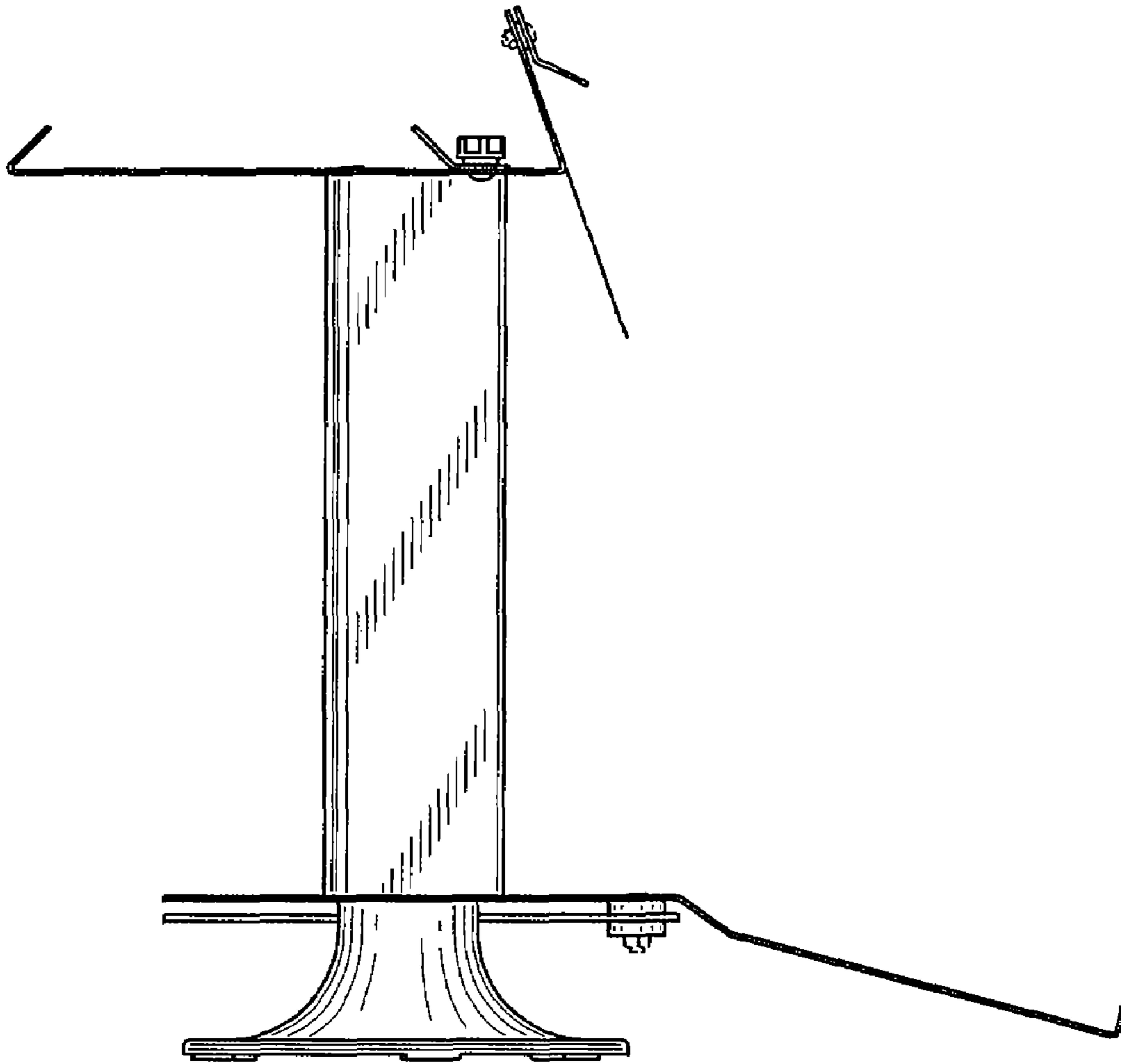


FIG. 4

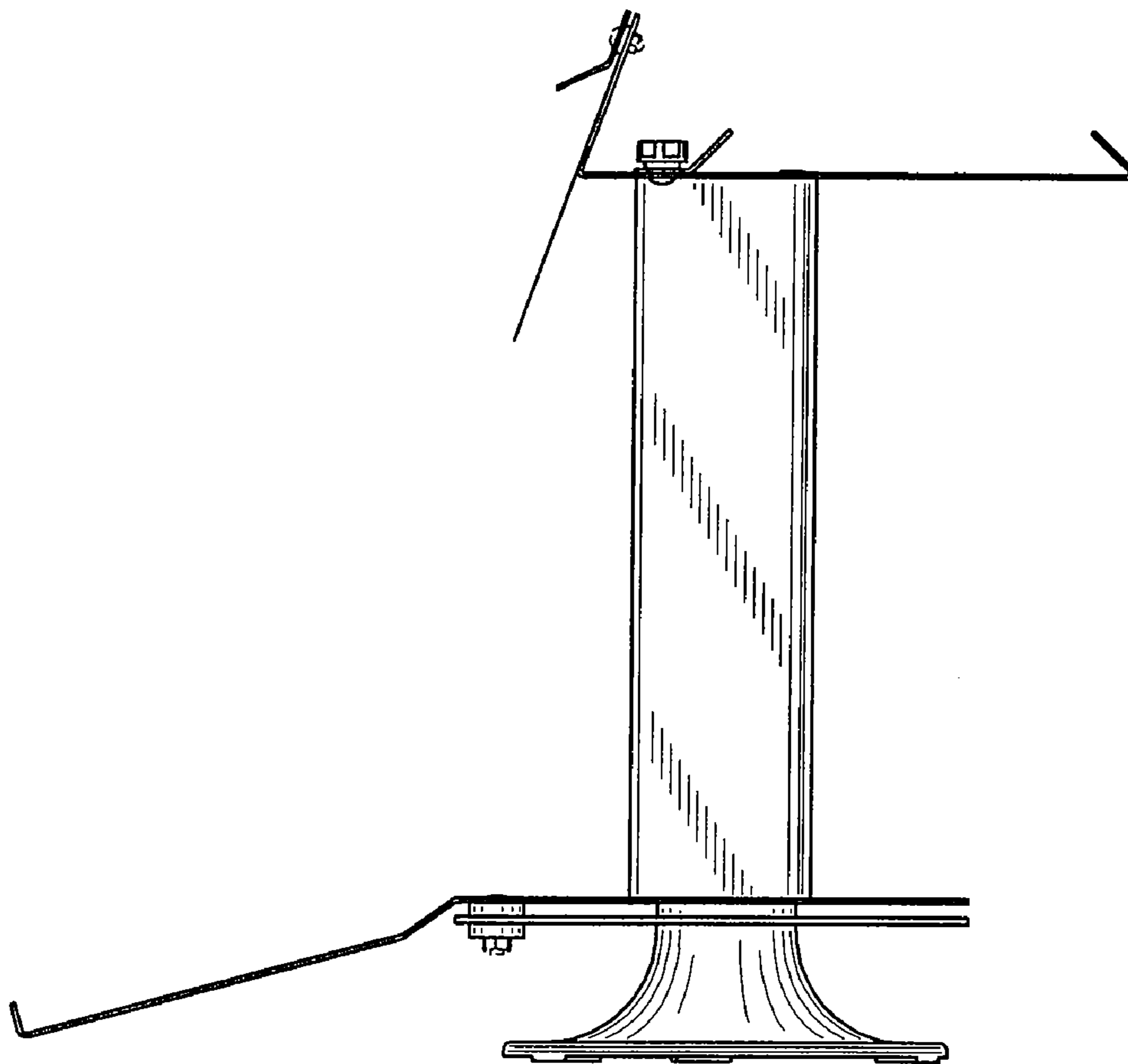


FIG. 5

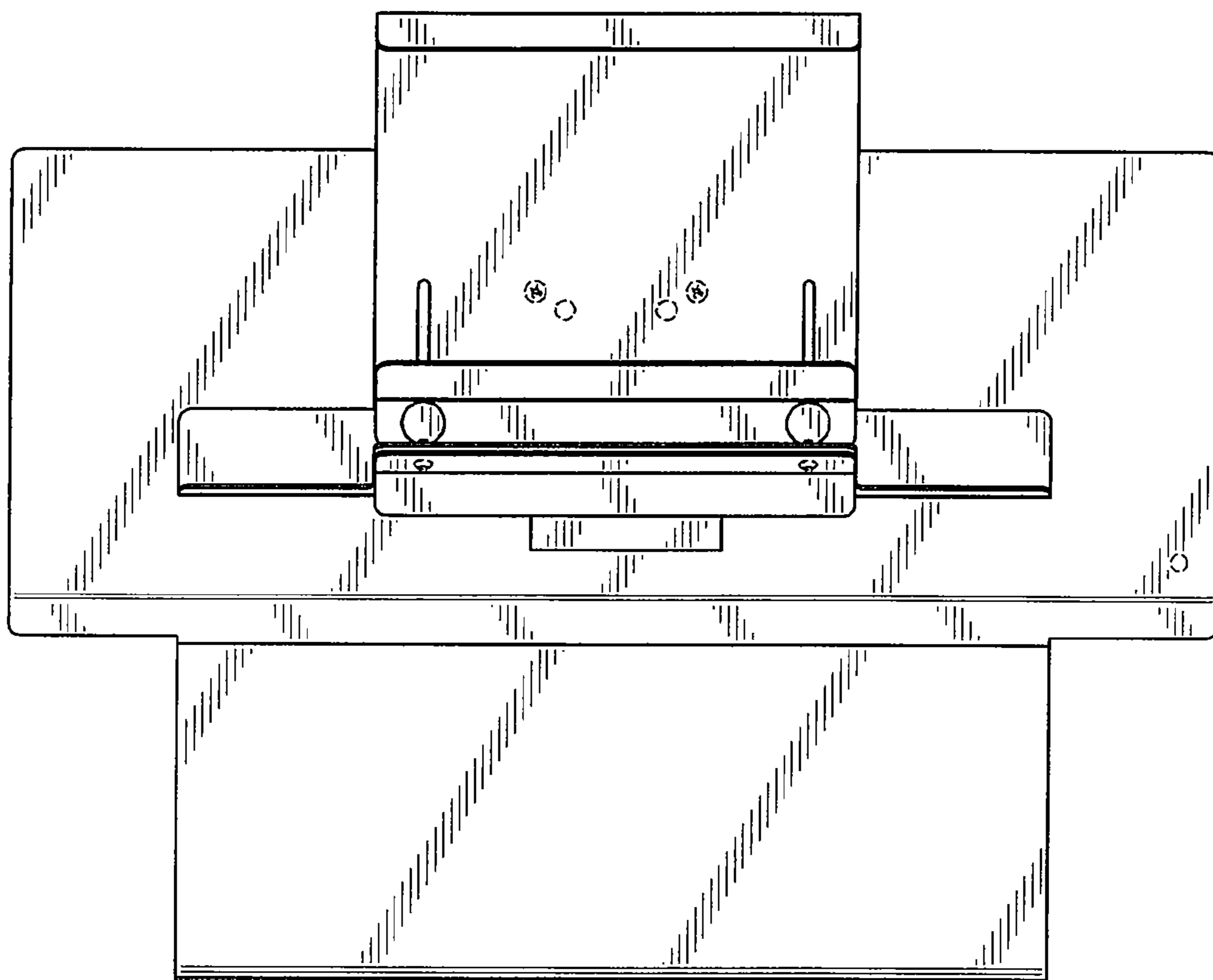


FIG. 6

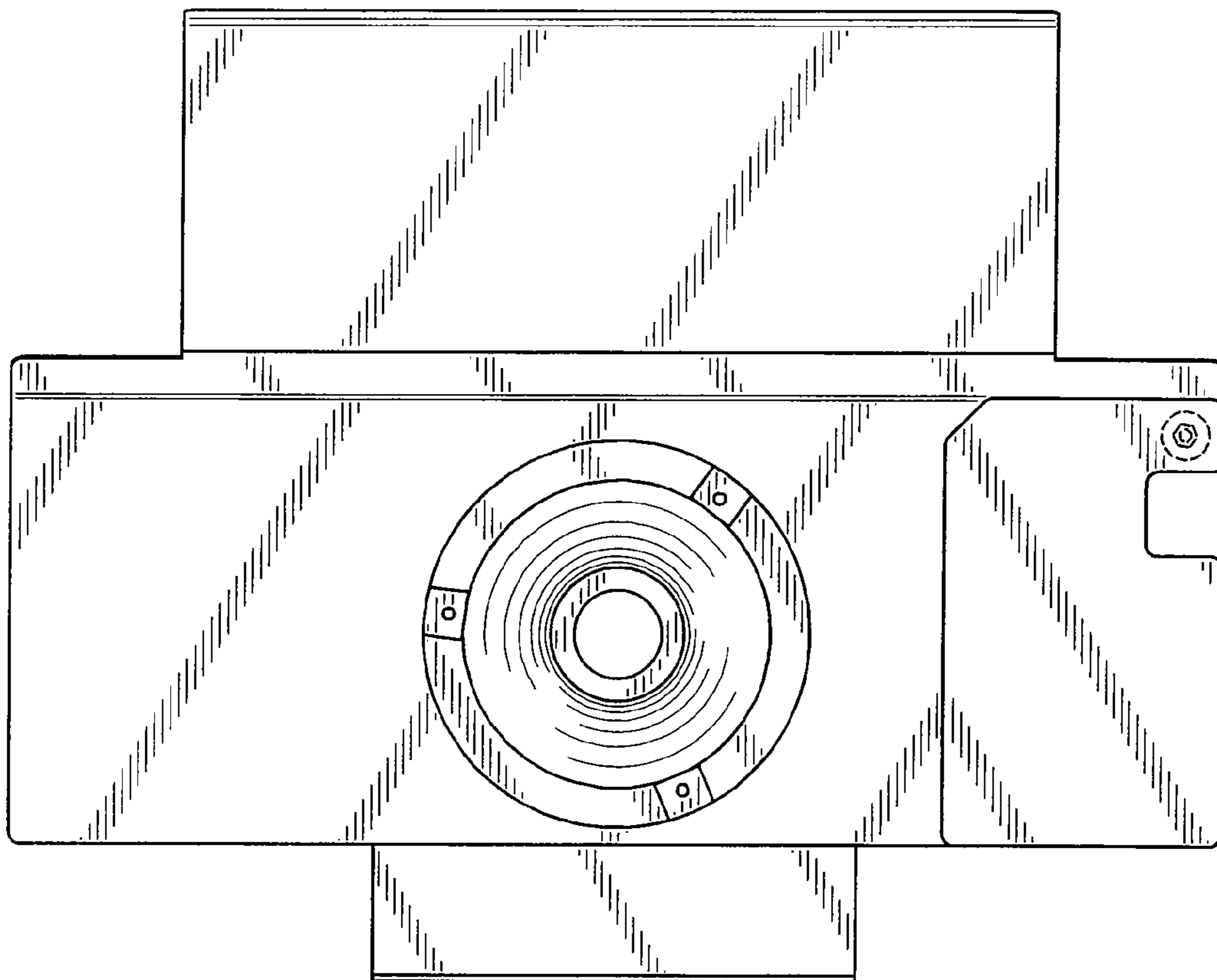


FIG. 7