



US00D557264S

(12) **United States Design Patent** (10) **Patent No.:** **US D557,264 S**
Richardson et al. (45) **Date of Patent:** **** Dec. 11, 2007**

(54) **ALPHANUMERIC KEYPAD**

(75) Inventors: **Curtis R. Richardson**, Fort Collins, CO (US); **Jamie L. Johnson**, Fort Collins, CO (US); **Alan Morine**, Fort Collins, CO (US); **Douglas Kempel**, Fort Collins, CO (US); **Dan Hoekstra**, Lafayette, CO (US)

(73) Assignee: **Otter Products, LLC**, Fort Collins, CO (US)

D330,329 S 10/1992 Brightbill
 5,175,873 A 12/1992 Goldenberg et al.
 D335,220 S 5/1993 Ward et al.
 D342,609 S 12/1993 Brightbill
 D347,324 S 5/1994 Dickinson
 D347,732 S 6/1994 Wentz
 D353,048 S 12/1994 VanSkiver et al.
 D381,512 S 7/1997 Green
 D386,611 S 11/1997 Sheu
 D402,105 S 12/1998 Erickson

(Continued)

(**) Term: **14 Years**

(21) Appl. No.: **29/246,912**

(22) Filed: **May 19, 2006**

(51) **LOC (8) Cl.** **14-02**

(52) **U.S. Cl.** **D14/399; D14/398**

(58) **Field of Classification Search** D14/391-399, D14/455; D18/1, 2, 7, 11, 12.2; 178/17 A, 178/17 C; 200/5 A, 5 R, 6 A, 6 R; 235/145 A, 235/145 R; 345/160, 168, 169; 341/22, 341/23; 400/484-489, 492; 361/680-686; 257/751

See application file for complete search history.

(56) **References Cited**
 U.S. PATENT DOCUMENTS

2,392,787 A	1/1946	Vermot
D216,853 S	3/1970	Schurman
D220,233 S	3/1971	Schurmann
3,590,988 A	7/1971	Hollar
D275,822 S	10/1984	Gatland et al.
4,703,161 A	10/1987	McLean
4,762,227 A	8/1988	Patterson
5,092,459 A	3/1992	Uljanic et al.
D327,646 S	7/1992	Hardigg et al.
D329,747 S	9/1992	Embree

OTHER PUBLICATIONS

U.S. Appl. No. 29/211,664, Richardson et al.
 (Continued)

Primary Examiner—Freda S. Nunn
 (74) *Attorney, Agent, or Firm*—William W. Cochran; Cochran Freund & Young LLC

(57) **CLAIM**

The ornamental design for a alphanumeric keypad, as shown and described.

DESCRIPTION

FIG. 1 is an isometric view of a alphanumeric keypad showing my new design.

FIG. 2 is a front view thereof.

FIG. 3 is a bottom view thereof.

FIG. 4 is a left side view thereof.

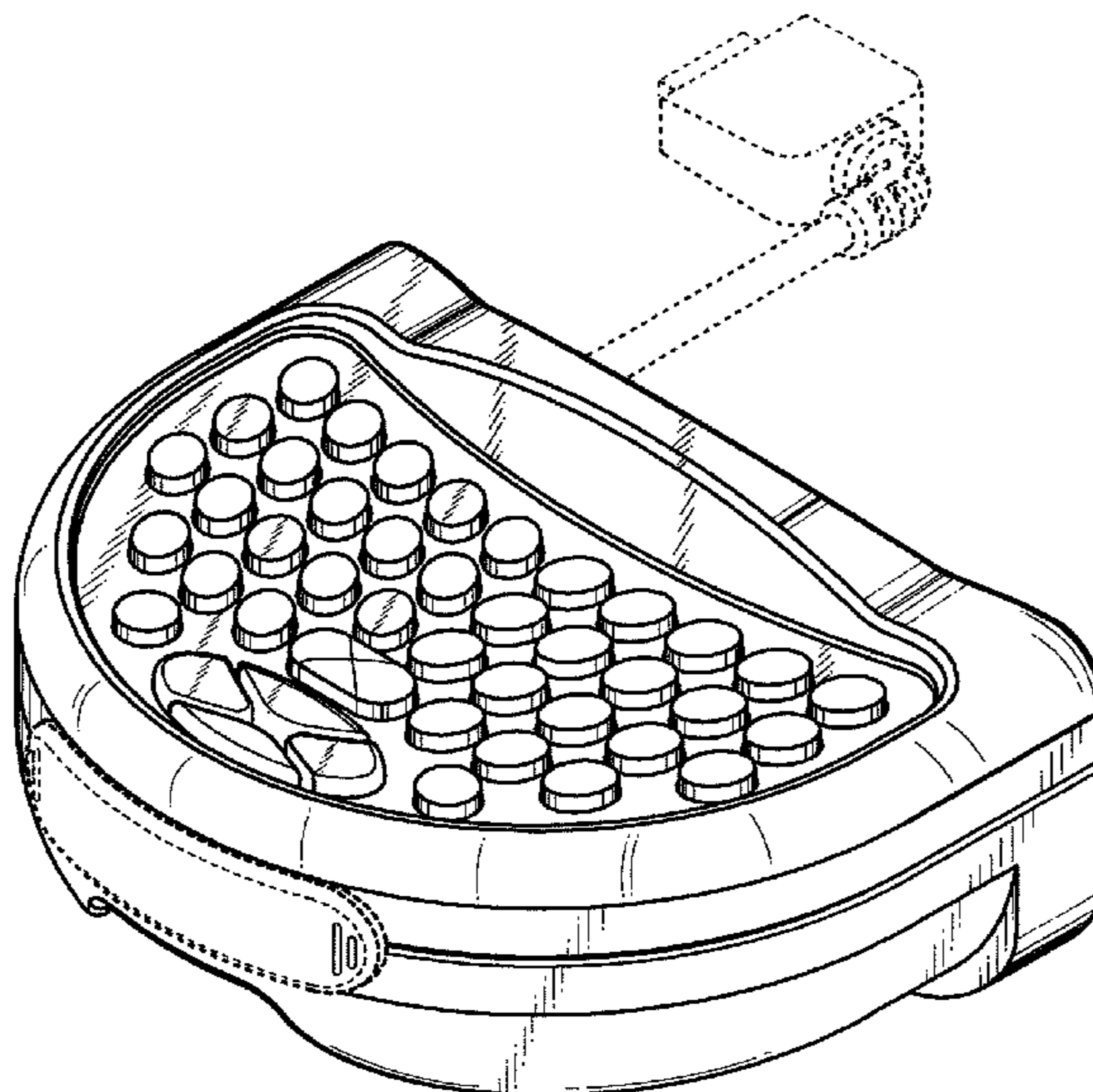
FIG. 5 is a right side view thereof.

FIG. 6 is a rear view thereof; and,

FIG. 7 is a top view thereof.

The broken line portions of the disclosure are for illustrative purposes only and form no part of the claimed design.

1 Claim, 7 Drawing Sheets



US D557,264 S

Page 2

U.S. PATENT DOCUMENTS

D409,374 S	5/1999	Laba et al.	6,525,928 B1	2/2003	Madsen et al.
D412,062 S	7/1999	Potter et al.	6,536,589 B2	3/2003	Chang
D413,202 S	8/1999	Schmitt et al.	D472,384 S	4/2003	Richardson
D413,203 S	8/1999	Zurwelle et al.	6,614,722 B2	9/2003	Polany et al.
D419,297 S	1/2000	Richardson et al.	6,646,864 B2	11/2003	Richardson
D419,767 S	2/2000	Richardson et al.	6,659,274 B2	12/2003	Enners
D419,768 S	2/2000	Richardson et al.	6,665,174 B1	12/2003	Derr et al.
6,031,624 A	2/2000	Murphy	D492,310 S *	6/2004	Chien D14/398
6,041,924 A	3/2000	Tajima	D507,272 S *	7/2005	Lodato et al. D14/398
6,049,813 A	4/2000	Danielson et al.	D513,123 S	12/2005	Richardson et al.
D423,772 S	5/2000	Cooper et al.	D513,451 S	1/2006	Richardson et al.
6,068,119 A	5/2000	Derr et al.	D514,808 S	2/2006	Morine et al.
6,087,726 A *	7/2000	Hsia et al. 257/751	6,995,976 B2	2/2006	Richardson
D429,884 S	8/2000	Zurwelle et al.	D516,309 S	3/2006	Richardson et al.
6,094,785 A	8/2000	Montgomery et al.	D516,553 S	3/2006	Richardson et al.
D433,798 S	11/2000	Weinstock	D516,554 S	3/2006	Richardson et al.
D439,407 S	3/2001	Parker	D516,807 S	3/2006	Richardson et al.
6,215,474 B1	4/2001	Shah	D526,780 S	8/2006	Richardson et al.
D441,954 S	5/2001	Parker	D530,079 S	10/2006	Thomas et al.
6,239,968 B1	5/2001	Kim et al.	2002/0101707 A1	8/2002	Canova et al.
D443,133 S	6/2001	Richardson et al.	2004/0120219 A1	6/2004	Polany et al.
6,273,252 B1	8/2001	Mitchell	2005/0174727 A1	8/2005	Richardson
6,301,100 B1	10/2001	Iwata			
6,313,892 B2	11/2001	Gleckman			
6,317,313 B1	11/2001	Mosgrove et al.			
6,388,877 B1	5/2002	Canova, Jr. et al.			
6,396,769 B1	5/2002	Polany			
6,415,138 B2	7/2002	Sirola et al.			
6,445,577 B1	9/2002	Madsen et al.			
6,456,487 B1	9/2002	Hetterick et al.			
D464,196 S	10/2002	Parker			
6,471,056 B1	10/2002	Tzeng			
D465,330 S	11/2002	Parker			
D470,659 S	2/2003	Story et al.			
6,519,141 B2	2/2003	Tseng et al.			

OTHER PUBLICATIONS

U.S. Appl. No. 11/270,732, Richardson et al.
U.S. Appl. No. 10/937,048, Richardson et al.
U.S. Appl. No. 11/077,963, Richardson et al.
U.S. Appl. No. 11/466,342, Richardson et al.
U.S. Appl. No. 60/805,833, Richardson et al.
U.S. Appl. No. 60/807,726, Richardson et al.
U.S. Appl. No. 29/246,914, Richardson et al.
U.S. Appl. No. 11/456,157, Richardson et al.
U.S. Appl. No. 29/246,913, Richardson et al.

* cited by examiner

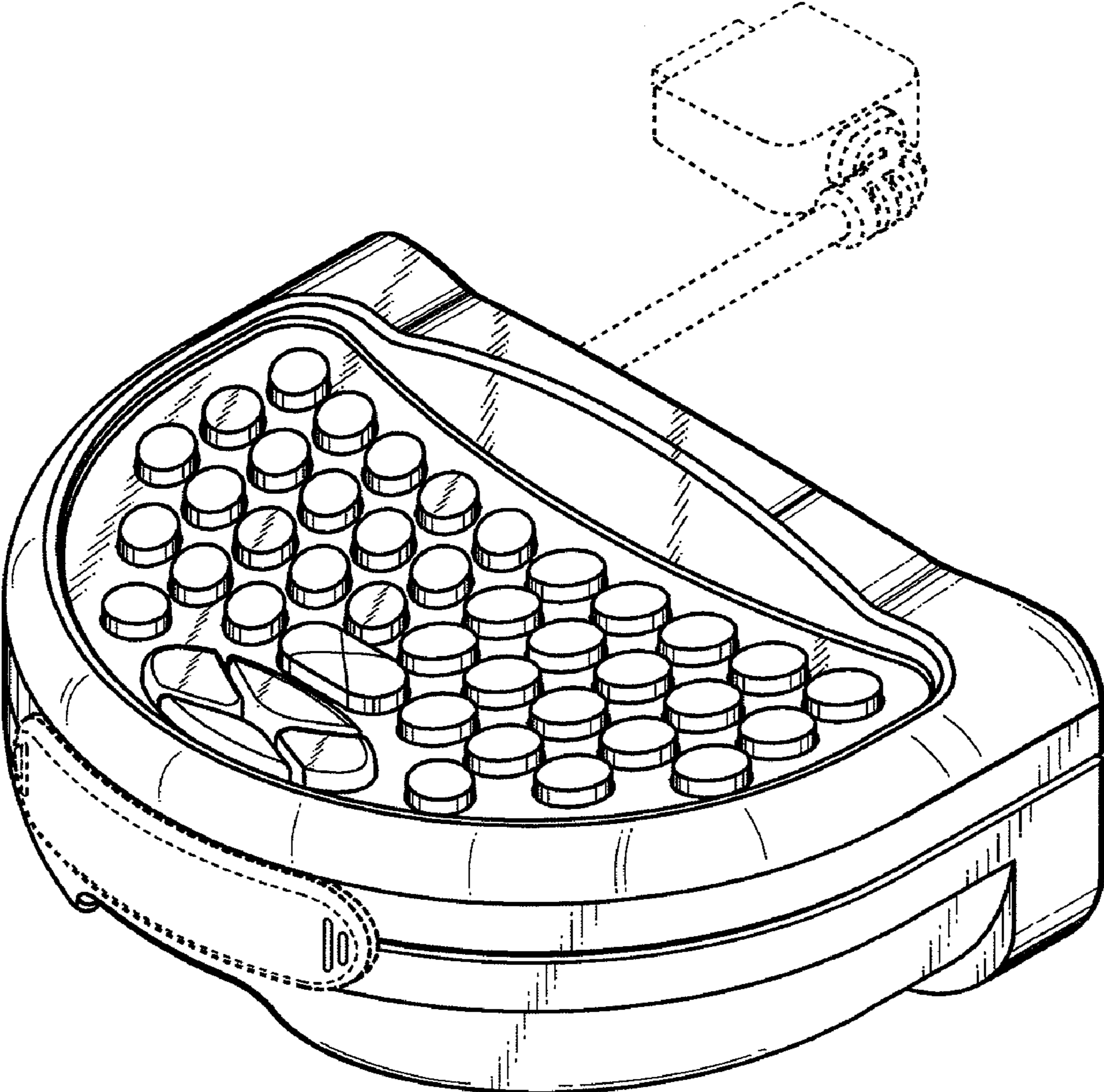


FIG. 1

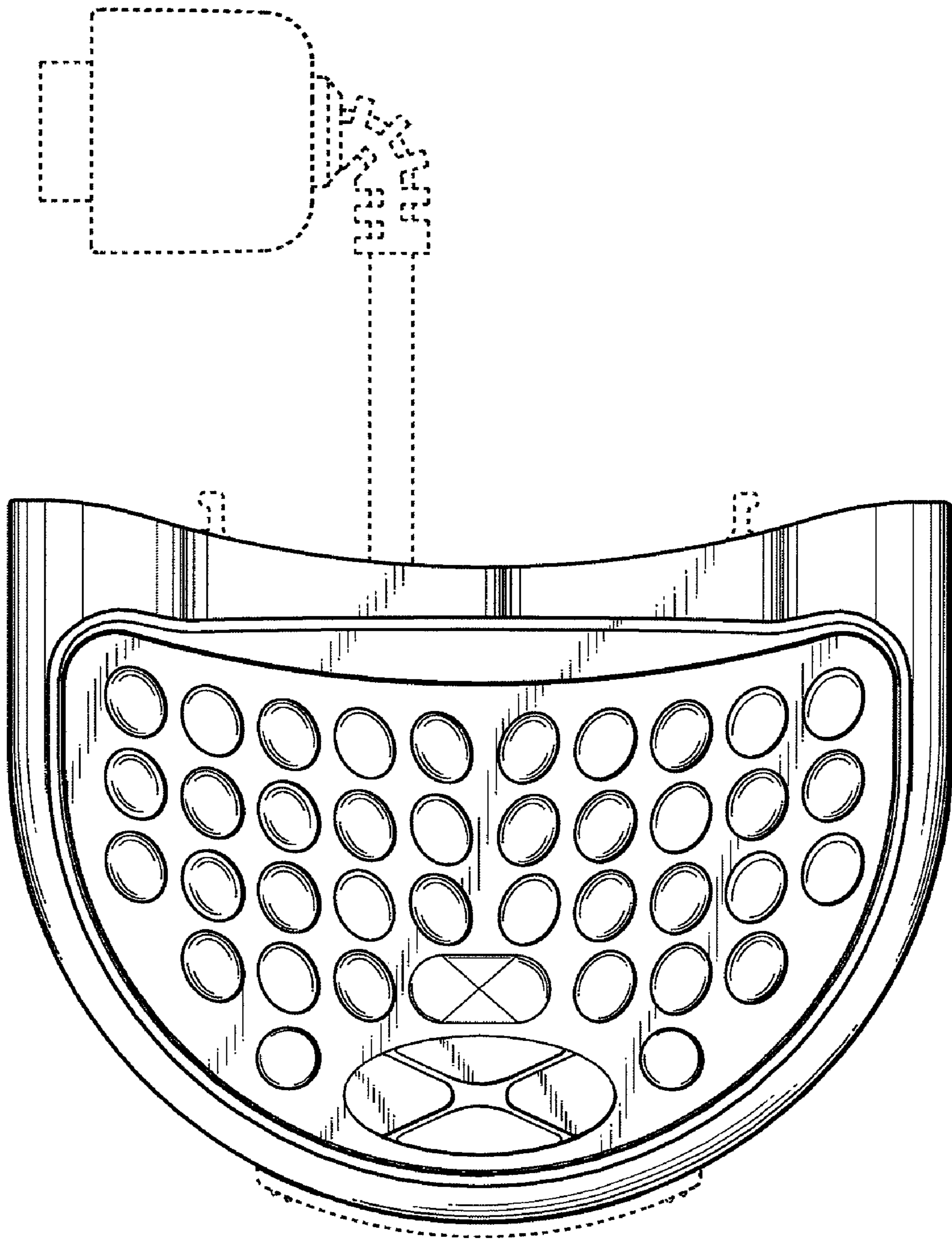


FIG. 2

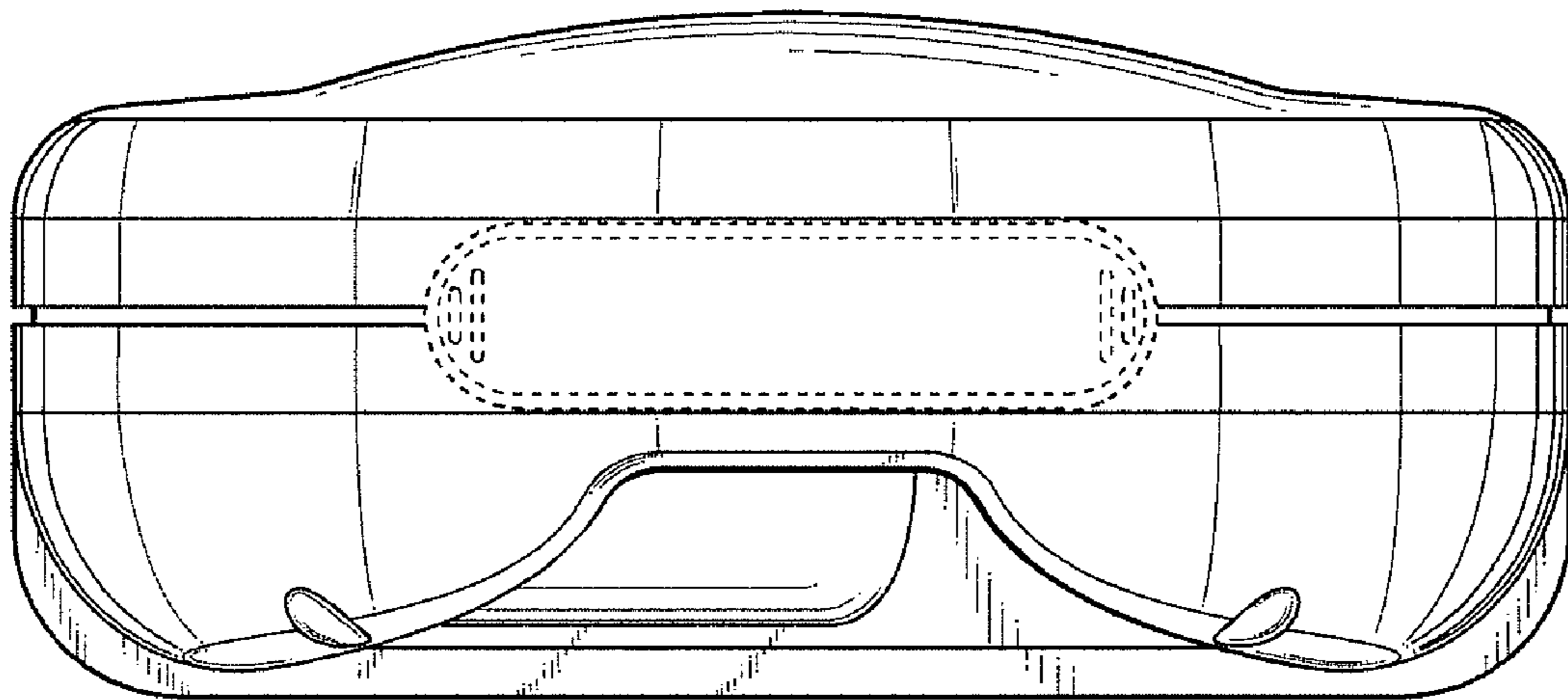


FIG. 3

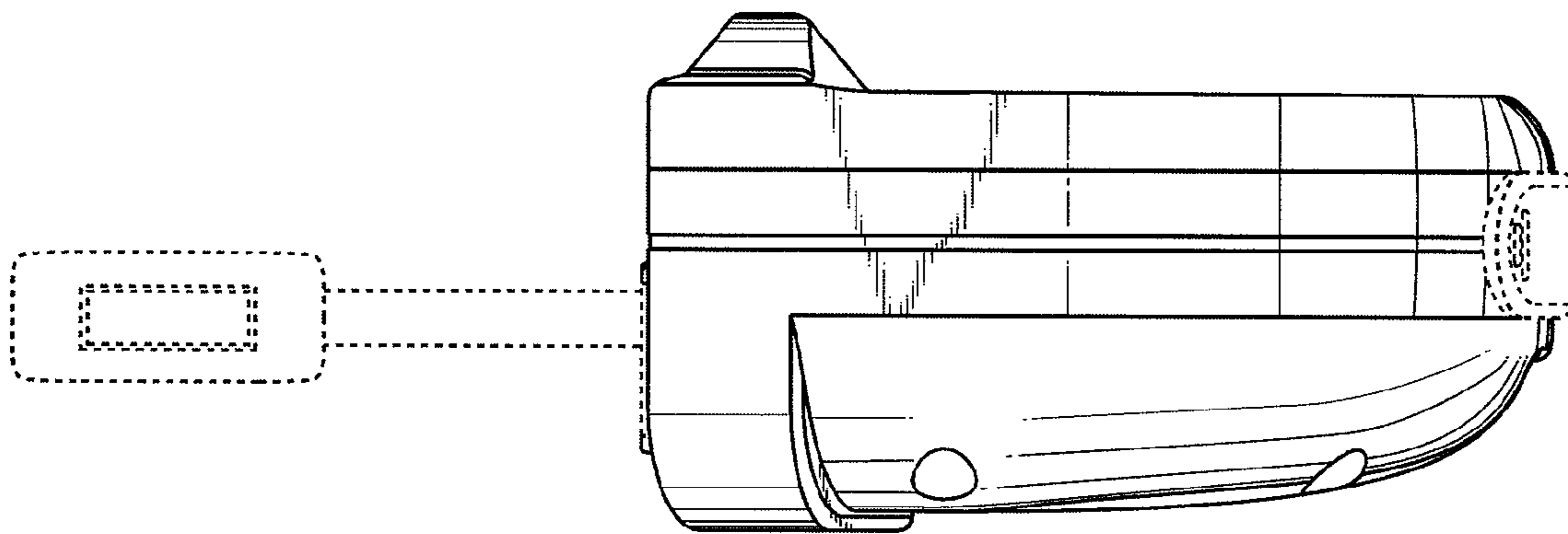


FIG. 4

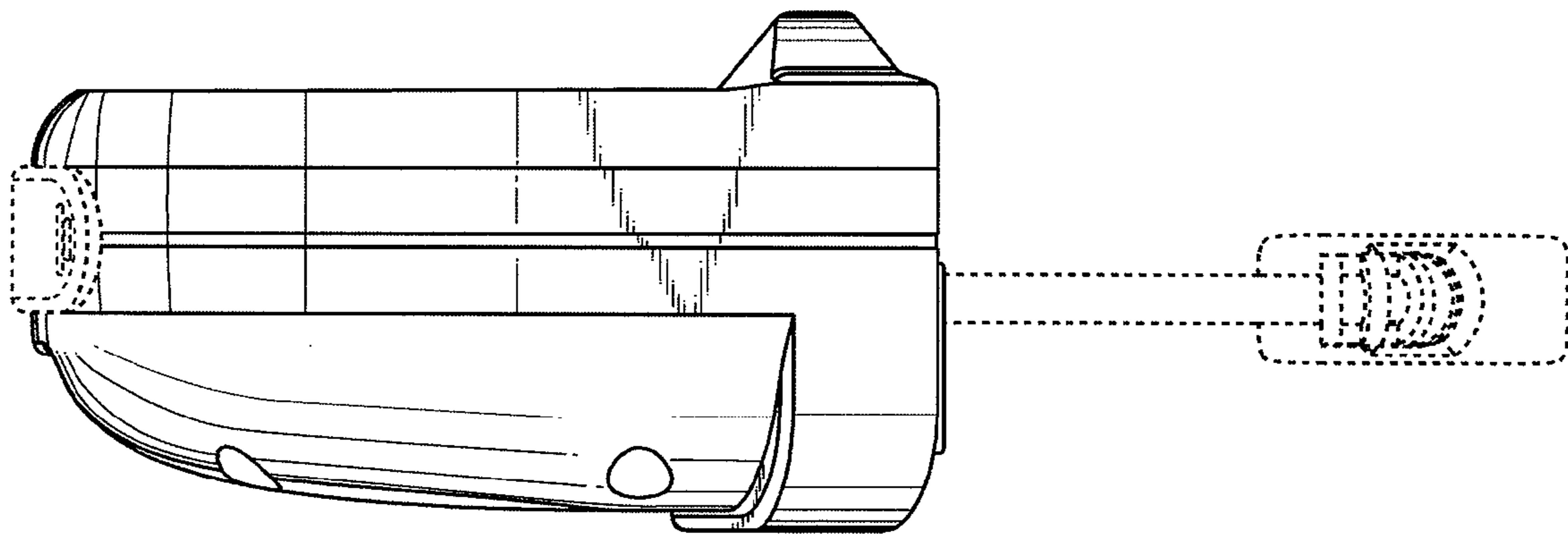


FIG. 5

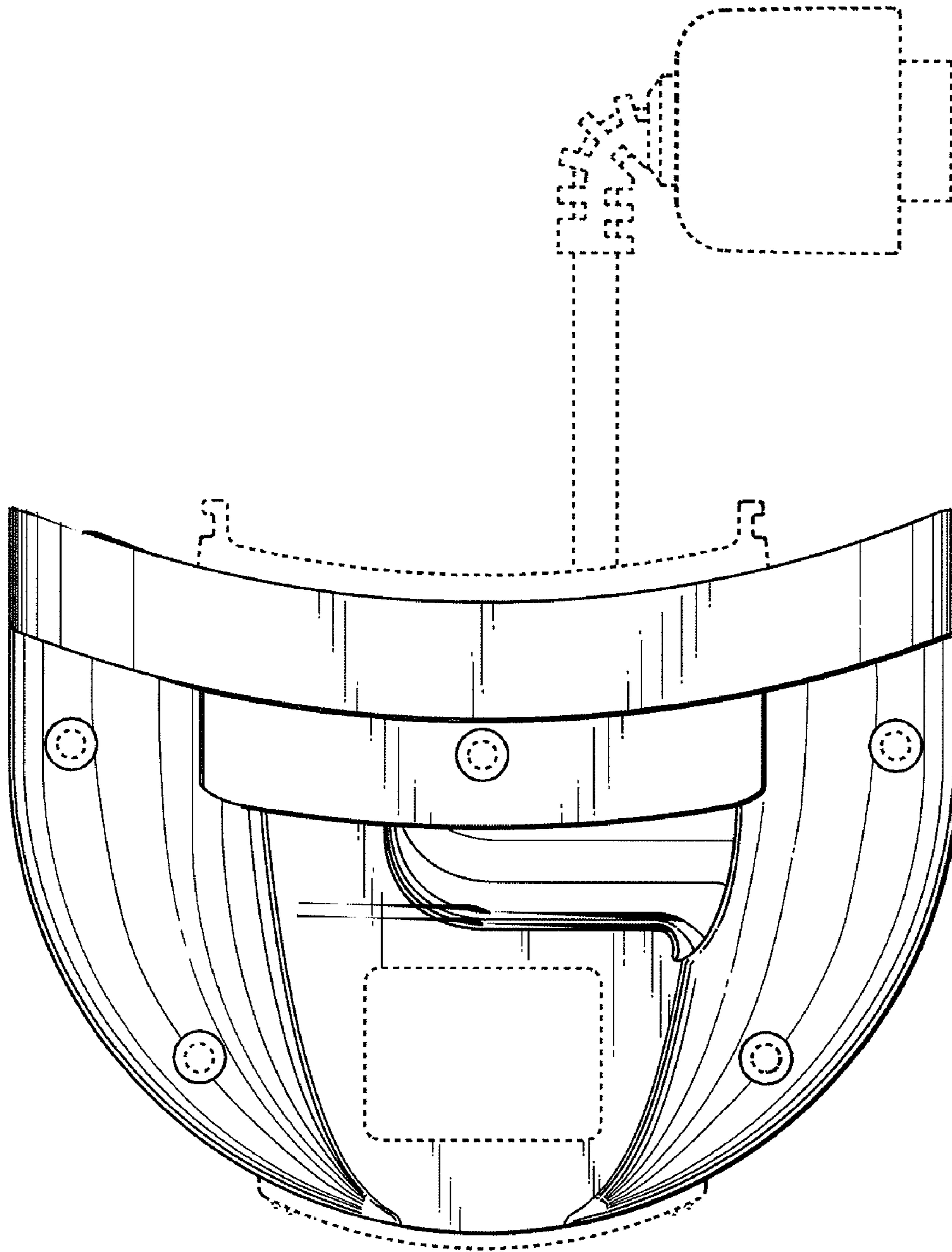


FIG. 6

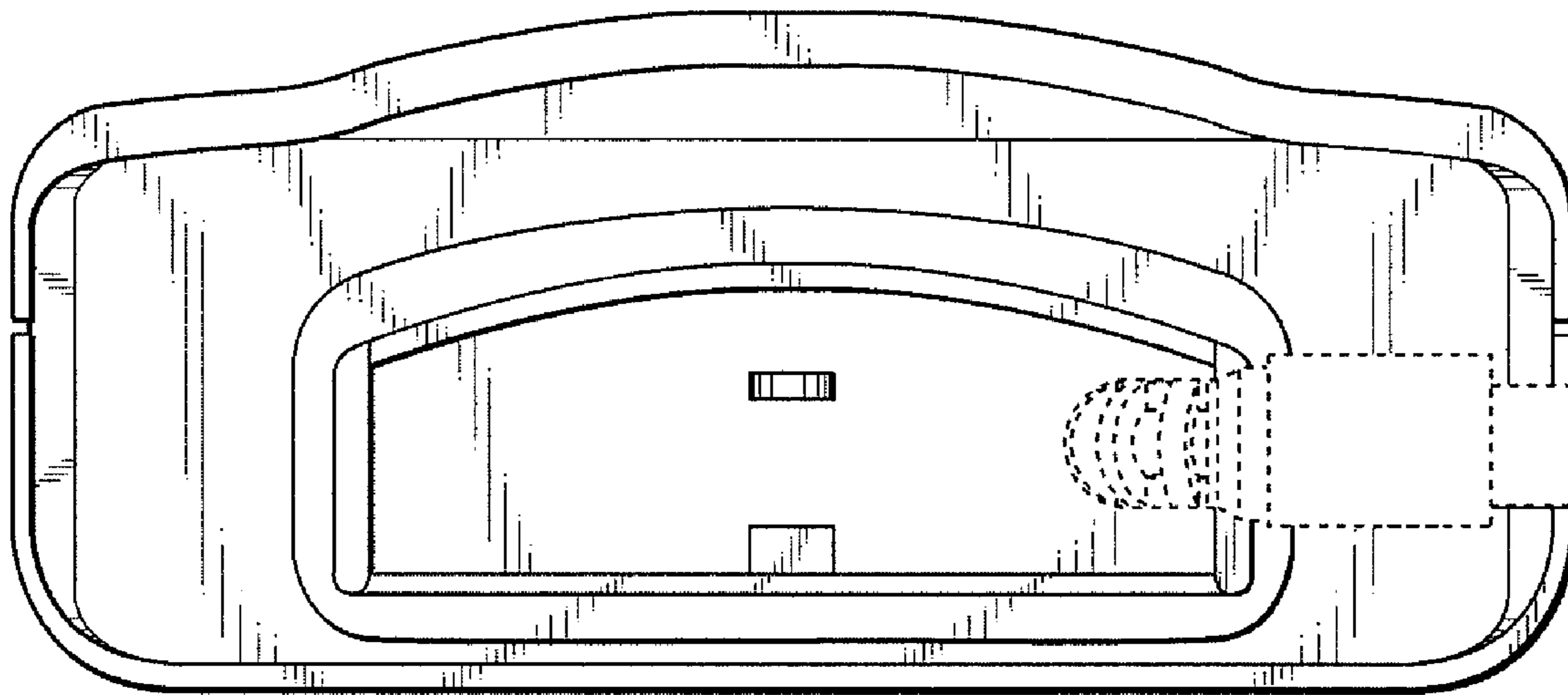


FIG. 7