



US00D557263S

(12) **United States Design Patent**  
**Griffin**

(10) **Patent No.:** **US D557,263 S**

(45) **Date of Patent:** **\*\* Dec. 11, 2007**

(54) **KEYBOARD WHICH IS CONNECTABLE TO AN ELECTRONIC DEVICE**

(76) Inventor: **Paul Griffin**, 2846 Polo Club Rd., Nashville, TN (US) 37221

(\*\*) Term: **14 Years**

(21) Appl. No.: **29/262,721**

(22) Filed: **Jul. 10, 2006**

(51) **LOC (8) Cl.** ..... **14-02**

(52) **U.S. Cl.** ..... **D14/393**

(58) **Field of Classification Search** ..... D14/391-399;  
D18/1, 2, 7, 11; 178/17 A, 17 C; 200/5 A,  
200/5 R, 6 A, 6 R; 235/145 A, 145 R; 345/160,  
345/168, 169, 1.3; 341/22, 23; 400/484-489,  
400/492; 361/680-686

See application file for complete search history.

(56) **References Cited**

**U.S. PATENT DOCUMENTS**

5,410,333	A *	4/1995	Conway	.....	345/169
5,712,760	A *	1/1998	Coulon et al.	.....	361/680
5,995,025	A *	11/1999	Sternglass et al.	.....	341/22
6,215,420	B1 *	4/2001	Harrison et al.	.....	341/22
D470,493	S *	2/2003	Tritschler et al.	.....	D14/393
6,594,142	B2 *	7/2003	Katz	.....	361/680
6,642,909	B1 *	11/2003	Oliva	.....	345/1.3
D486,488	S *	2/2004	Olodort et al.	.....	D14/396
6,714,403	B2 *	3/2004	Furuki et al.	.....	361/680
6,999,008	B2 *	2/2006	Wang et al.	.....	341/22
2002/0163778	A1 *	11/2002	Hazzard et al.	.....	361/683
2003/0048595	A1 *	3/2003	Hsieh et al.	.....	361/680

\* cited by examiner

Primary Examiner—Freda S Nunn

(74) *Attorney, Agent, or Firm*—Michael E. McKee

(57) **CLAIM**

The ornamental design for a keyboard which is connectable to an electronic device, as shown and described.

**DESCRIPTION**

FIG. 1 is a perspective view of a keyboard which is connectable to an electronic device showing my new design and illustrating the keyboard in a fully closed condition;

FIG. 2 is top view thereof;

FIG. 3 is a rear view thereof;

FIG. 4 is a front view thereof;

FIG. 5 is a side elevational view thereof as seen from the left in FIG. 3, the side elevational view thereof as seen from the right in FIG. 3 being a mirror image thereof;

FIG. 6 is a perspective view thereof illustrating the keyboard when in a partially opened condition;

FIG. 7 is a perspective view thereof illustrating the keyboard when in a fully opened condition and illustrating in phantom an example of an electronic device to which the keyboard can be connected. The electronic device being shown in phantom for illustrative purposes only and forms no part of the claimed design;

FIG. 8 is a top view thereof;

FIG. 9 is a front view thereof;

FIG. 10 is a rear view thereof; and,

FIG. 11 is a side elevational view thereof as seen from the right in FIG. 10, the side elevational view thereof as seen from the left in FIG. 10 being a mirror image thereof.

The bottom view of the keyboard is plain and unornamental.

**1 Claim, 6 Drawing Sheets**

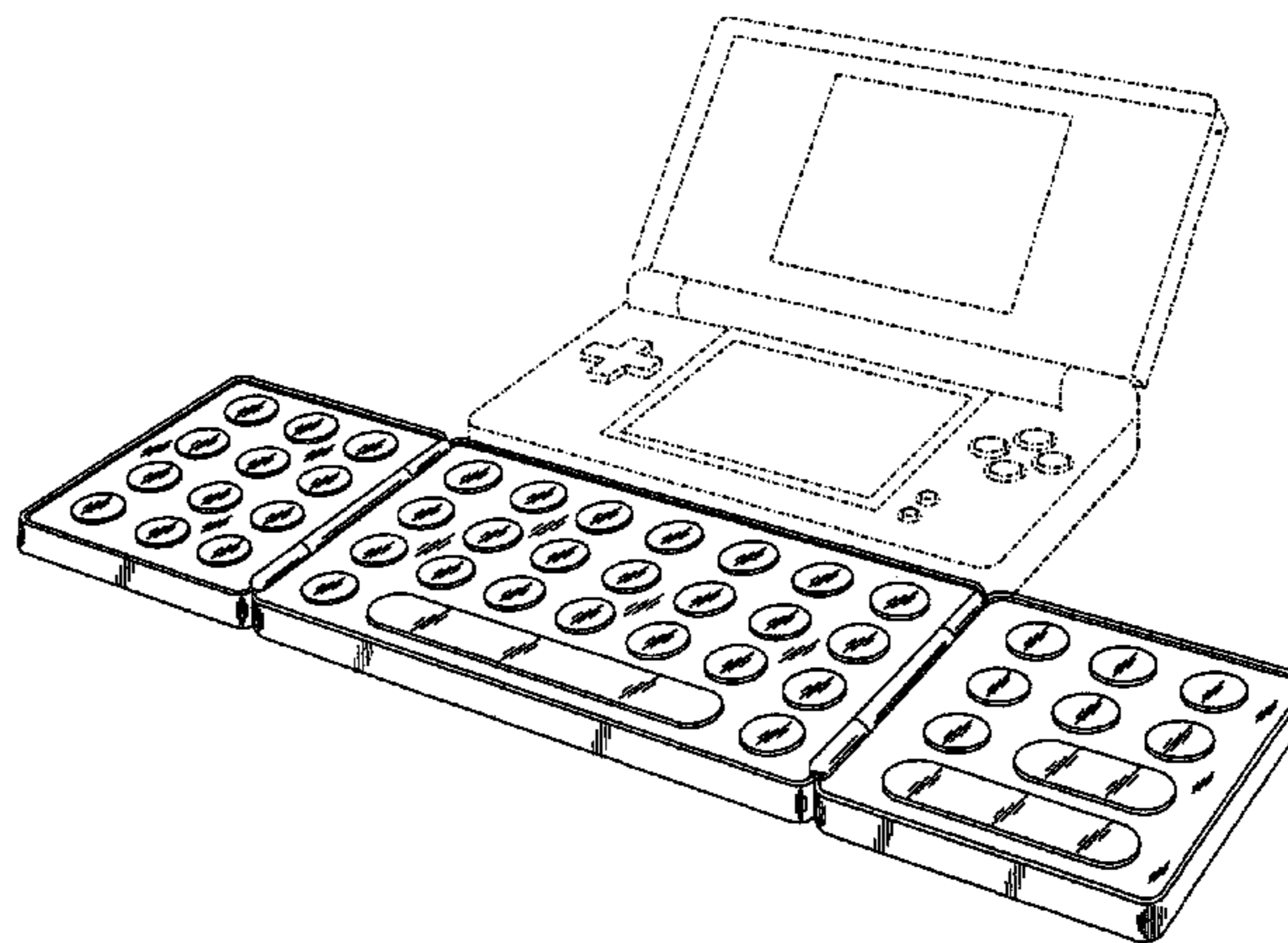
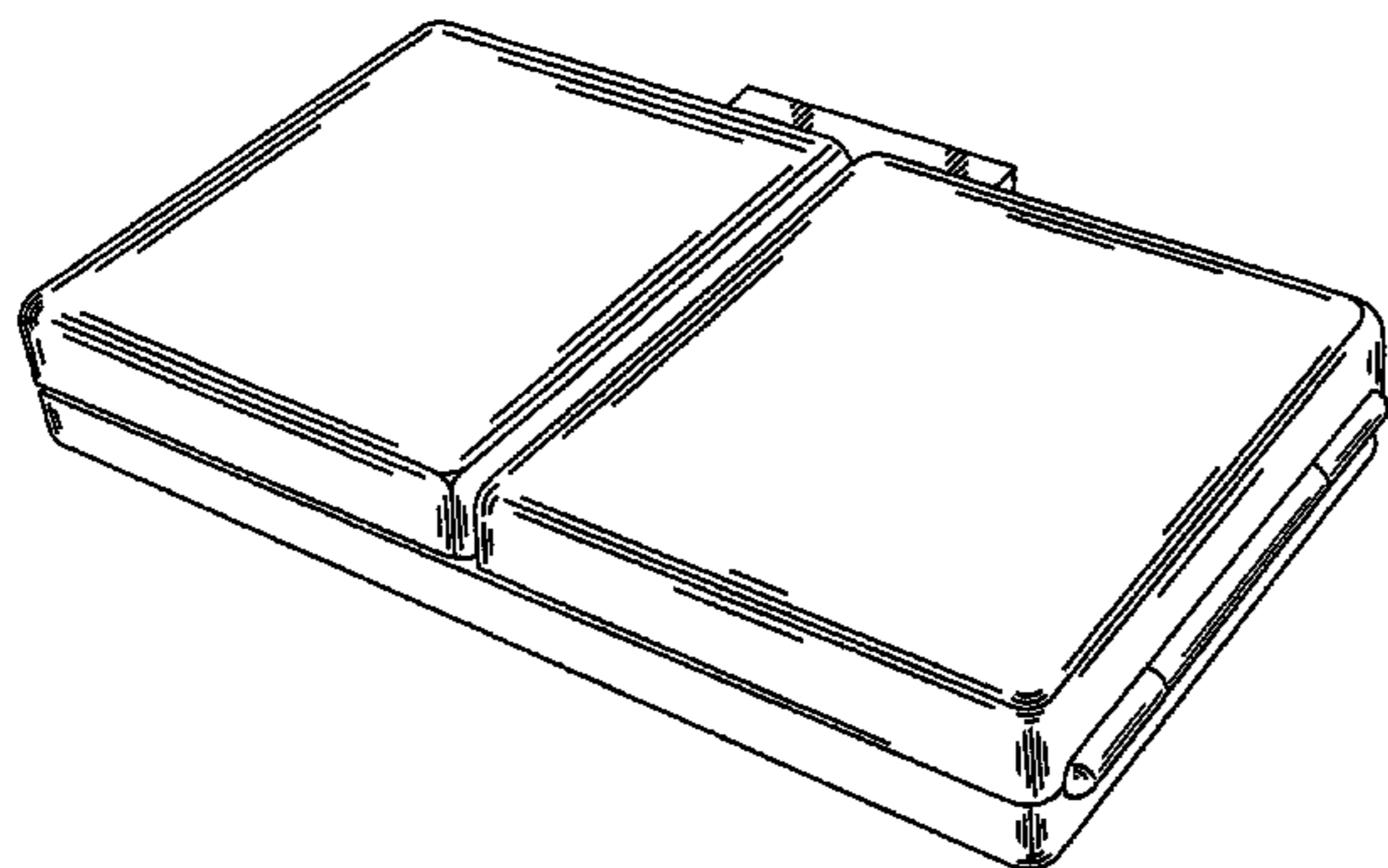


FIG. 1

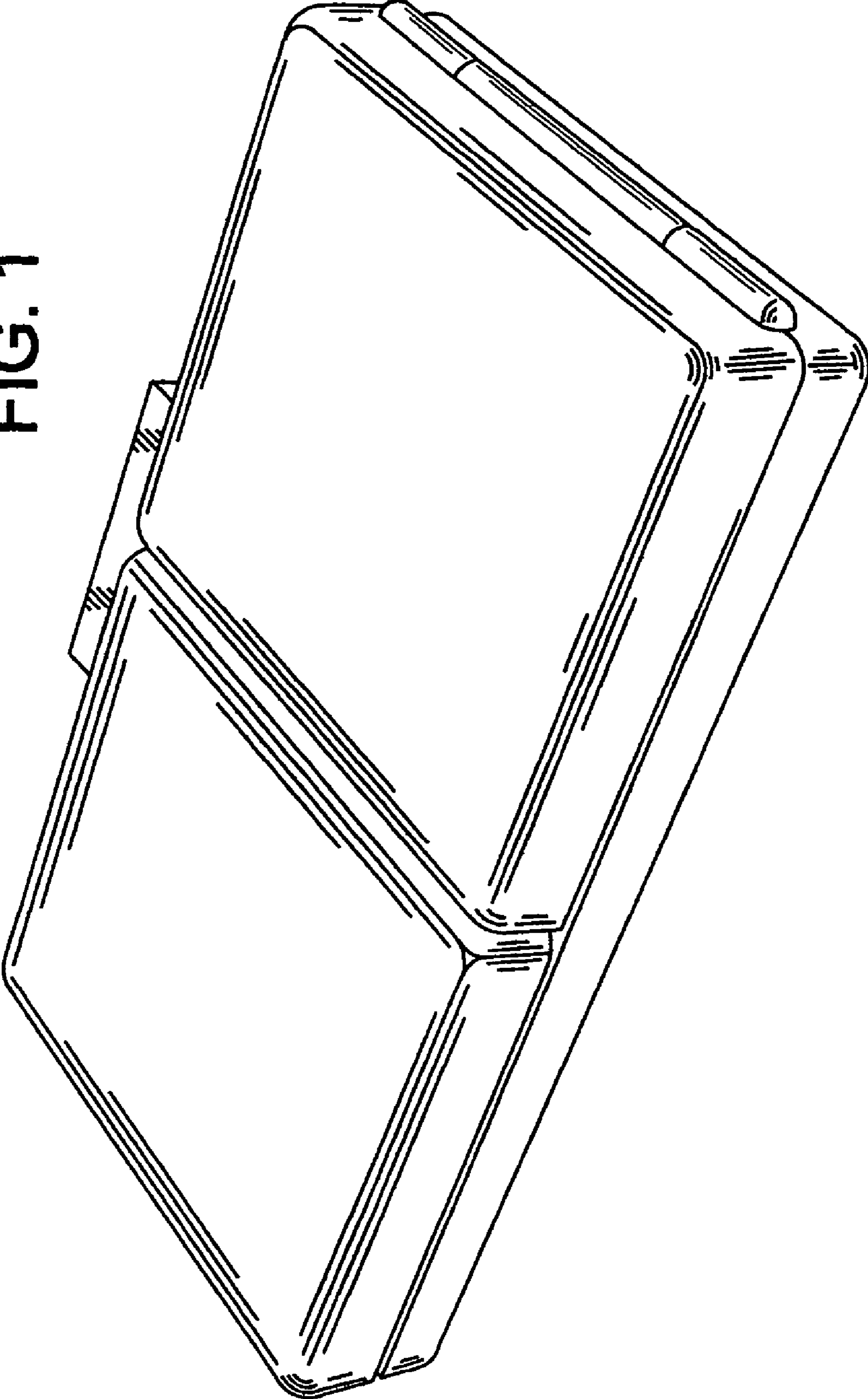


FIG. 2

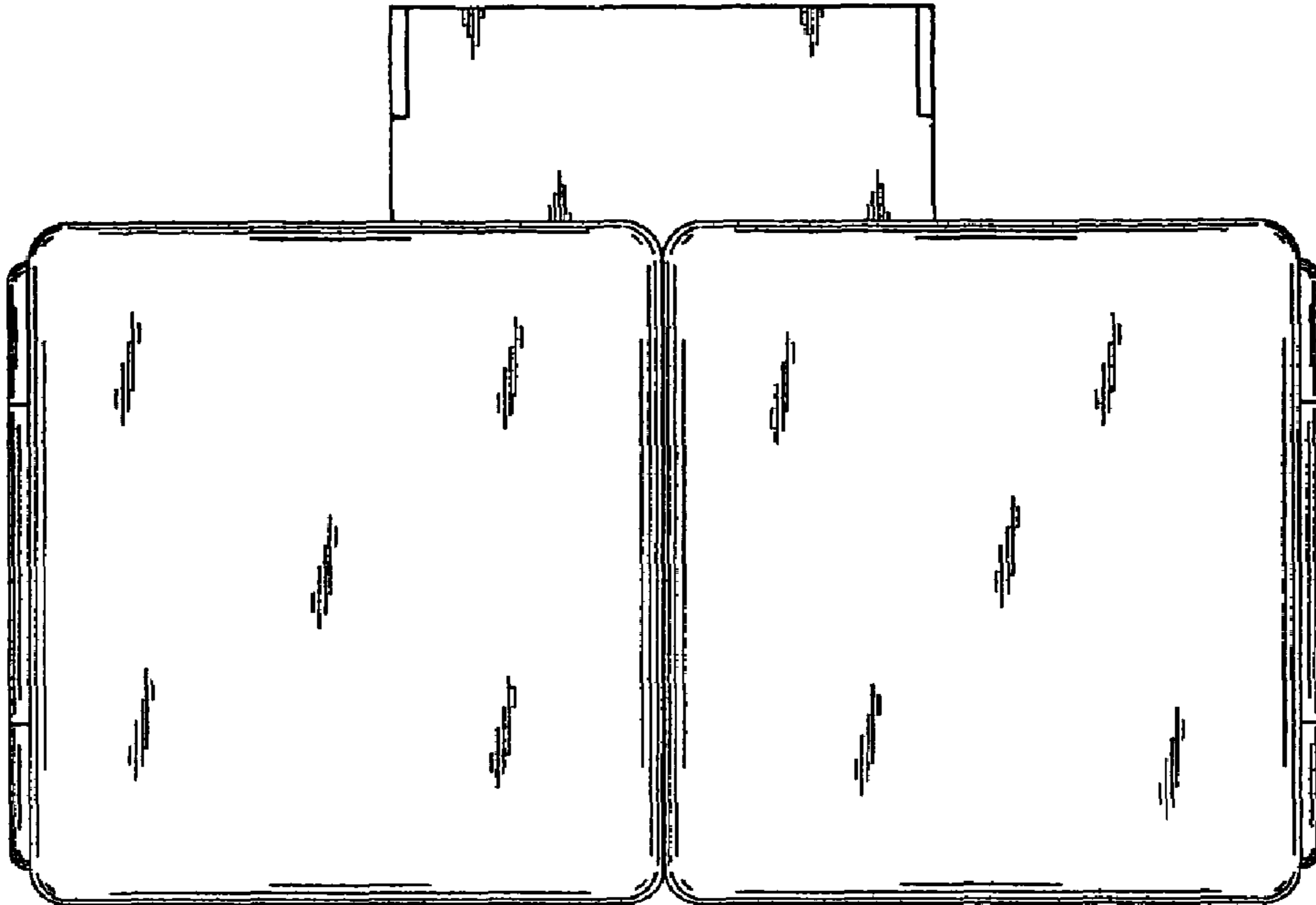


FIG. 3

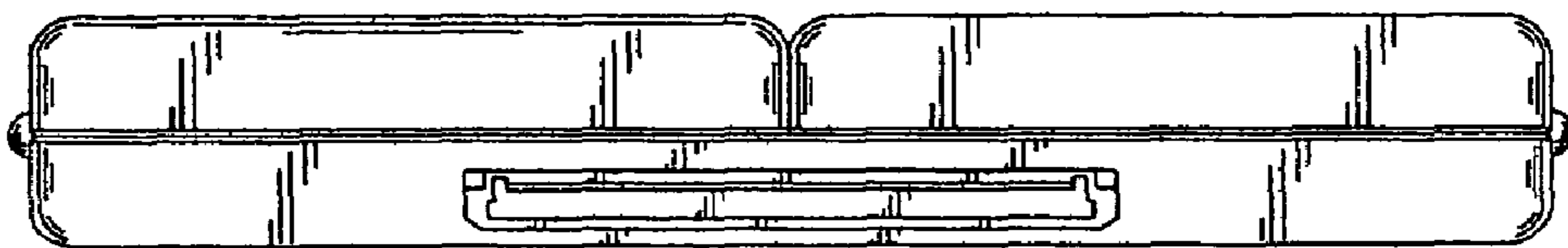


FIG. 4

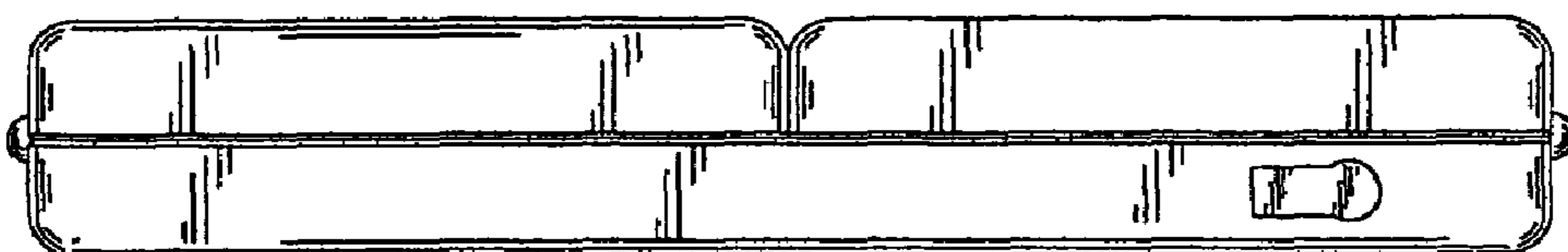


FIG. 5

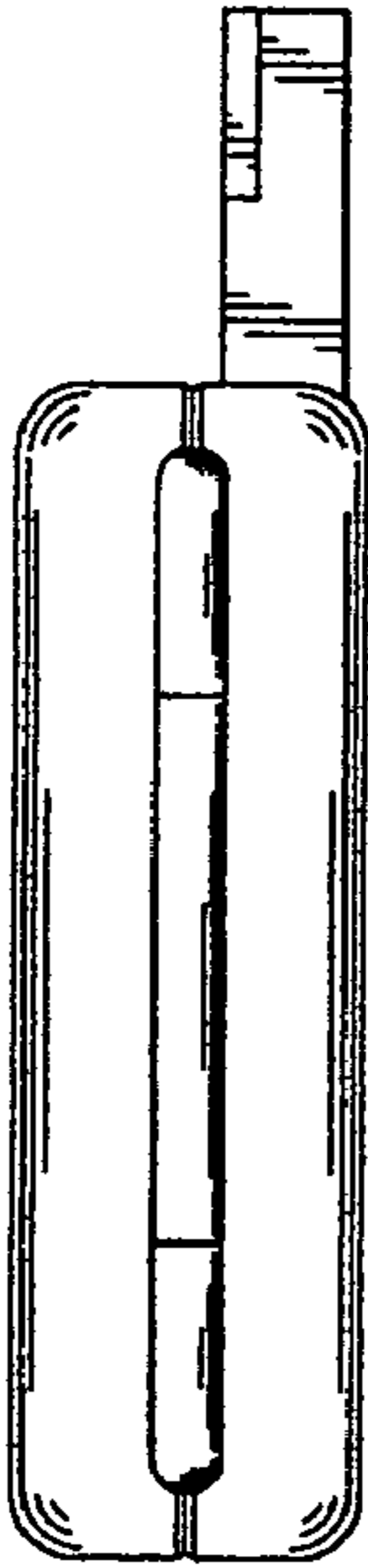
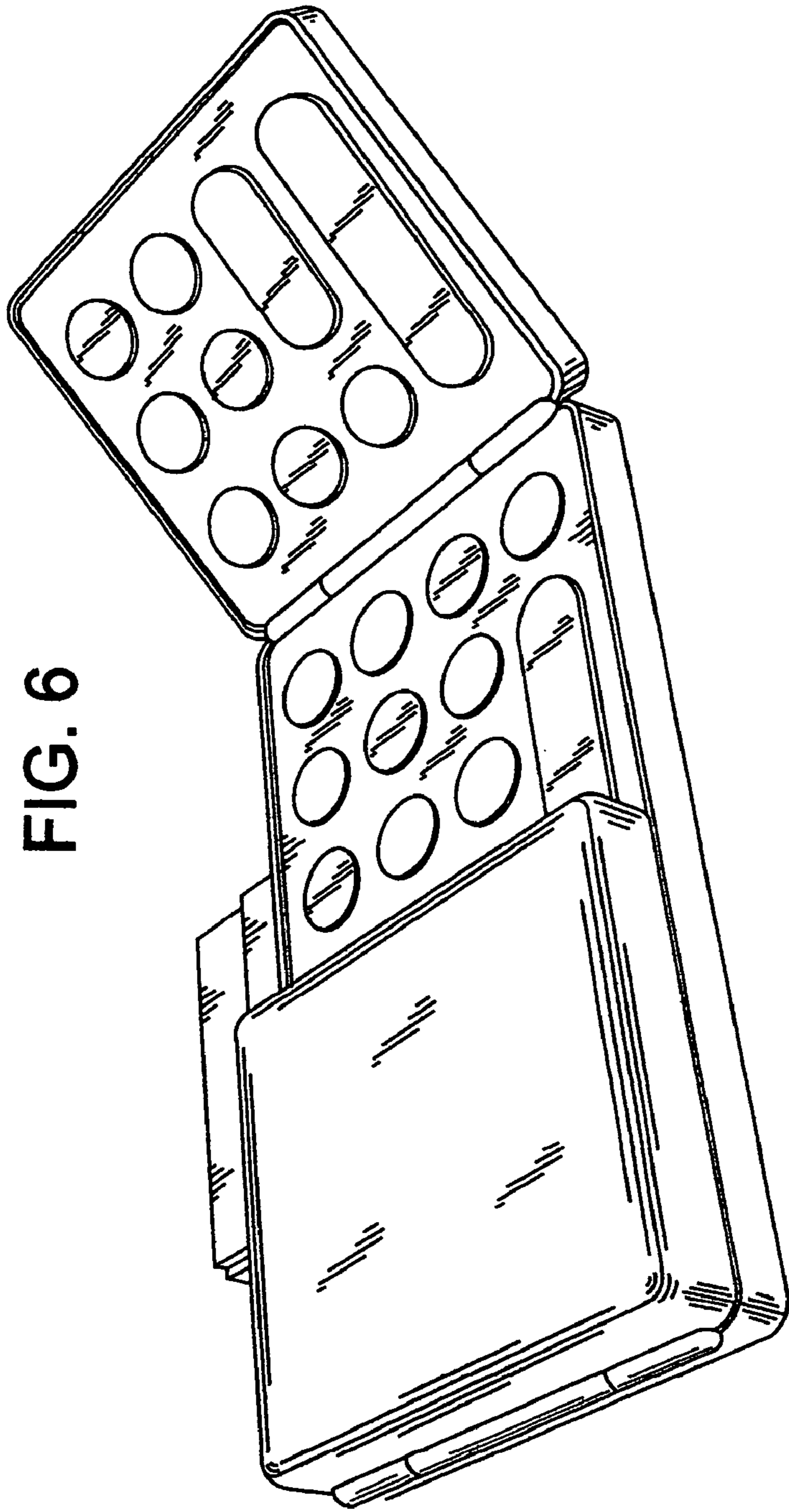


FIG. 6



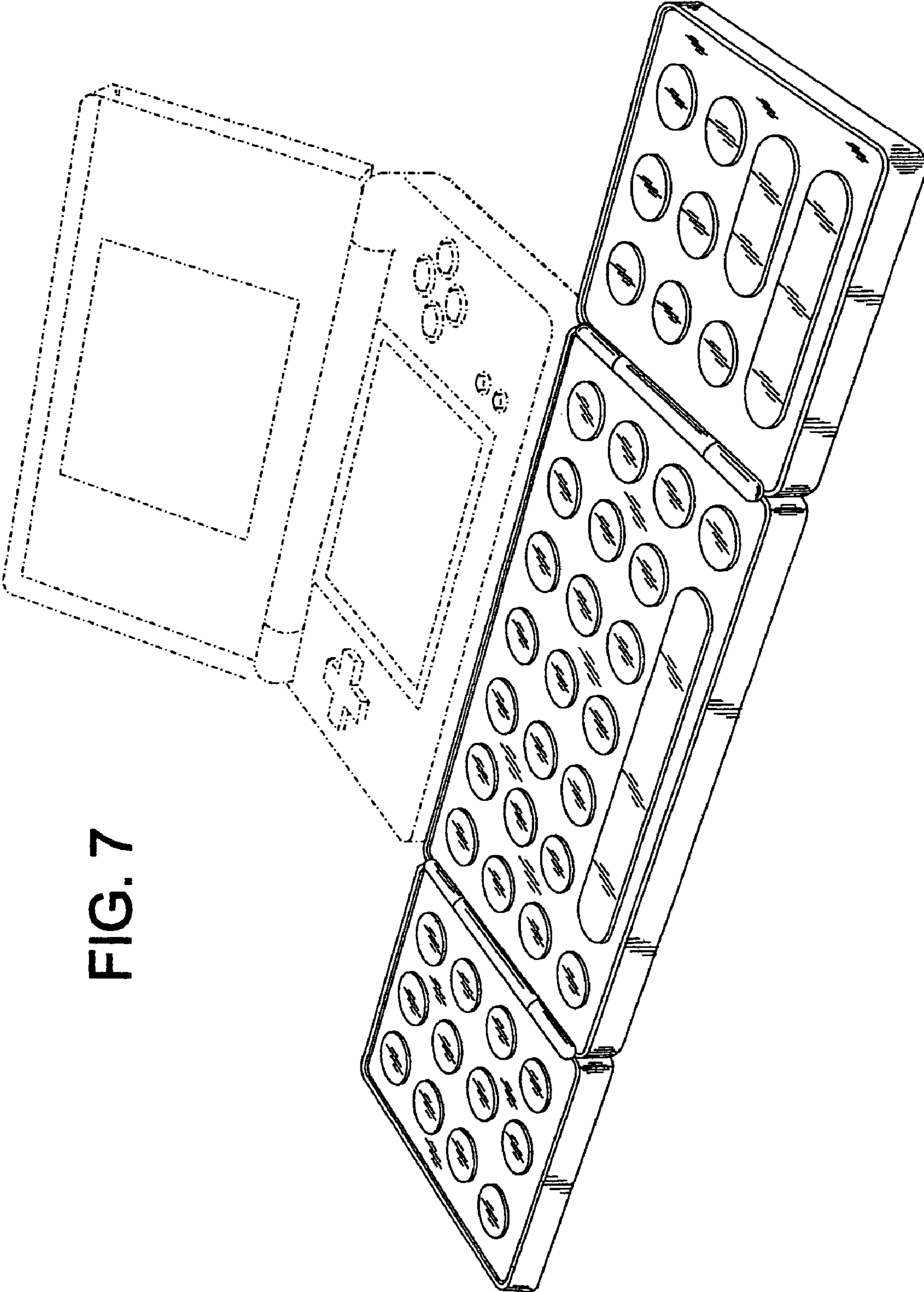


FIG. 7

FIG. 8

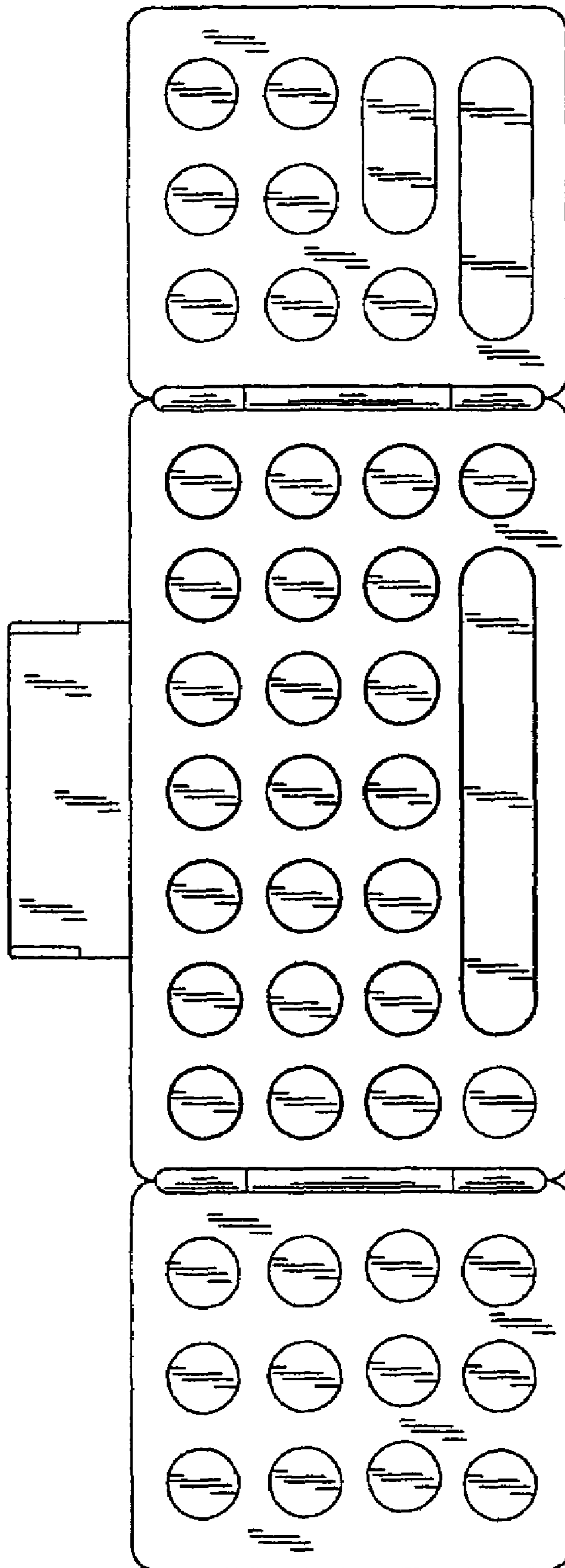


FIG. 9



FIG. 10

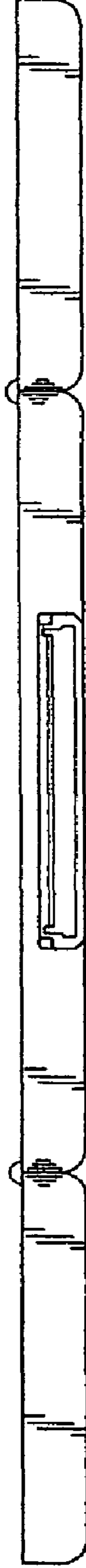


FIG. 11

