

US00D557260S

(12) **United States Design Patent**
Westerling et al.

(10) **Patent No.:** **US D557,260 S**

(45) **Date of Patent:** **** Dec. 11, 2007**

(54) **ANTENNA**

(75) Inventors: **Jan Westerling**, Linkoping (SE);
Magnus Hakansson, Linkoping (SE)

(73) Assignee: **Rosemount Tank Radar AB**,
Gothenburg (SE)

(**) Term: **14 Years**

(21) Appl. No.: **29/273,115**

(22) Filed: **Feb. 27, 2007**

Related U.S. Application Data

(62) Division of application No. 29/205,244, filed on May 11, 2004, now Pat. No. Des. 543,540.

(51) **LOC (8) Cl.** **14-03**

(52) **U.S. Cl.** **D14/230; D14/233**

(58) **Field of Classification Search** D14/138,
D14/230-238, 299, 358; D12/42, 43; 343/700 R-705,
343/871-908, 795, 840, 711-713, 819, 846;
455/90.2, 90.3, 91, 128, 269, 344, 347, 562.1
See application file for complete search history.

(56) **References Cited**

U.S. PATENT DOCUMENTS

2,144,038 A	1/1939	Herbert	52/113
2,498,350 A	2/1950	Walsh	343/749
D208,772 S	10/1967	McVey	D14/233
D379,818 S	6/1997	Aldama et al.	D14/230
D379,992 S	6/1997	Aldama et al.	D14/230
D424,570 S	5/2000	Hockett et al.	D14/238
6,629,458 B1	10/2003	Westerling et al.	73/290

Primary Examiner—Stella M. Reid
Assistant Examiner—John Windmuller

(74) *Attorney, Agent, or Firm*—Westman, Champlin & Kelly, P.A.

(57) **CLAIM**

The ornamental design for an antenna, as shown and described.

DESCRIPTION

FIG. 1 is a perspective view from the above of an antenna showing our new design. (The parts shown with broken lines are not considered to be a part of the claimed design.);

FIG. 2 is a perspective view from below thereof;

FIG. 3 is a left side elevational view thereof;

FIG. 4 is a bottom plan view thereof;

FIG. 5 is a top plan view thereof;

FIG. 6 is a right side elevational view thereof;

FIG. 7 is a front elevational view thereof;

FIG. 8 is a rear elevational view thereof;

FIG. 9 is a perspective view from the above of the second embodiment of an antenna showing our new design. (The parts shown with broken lines are not considered to be a part of the claimed design.);

FIG. 10 is a perspective view from below thereof;

FIG. 11 is a top plan view thereof;

FIG. 12 is a bottom plan view thereof.

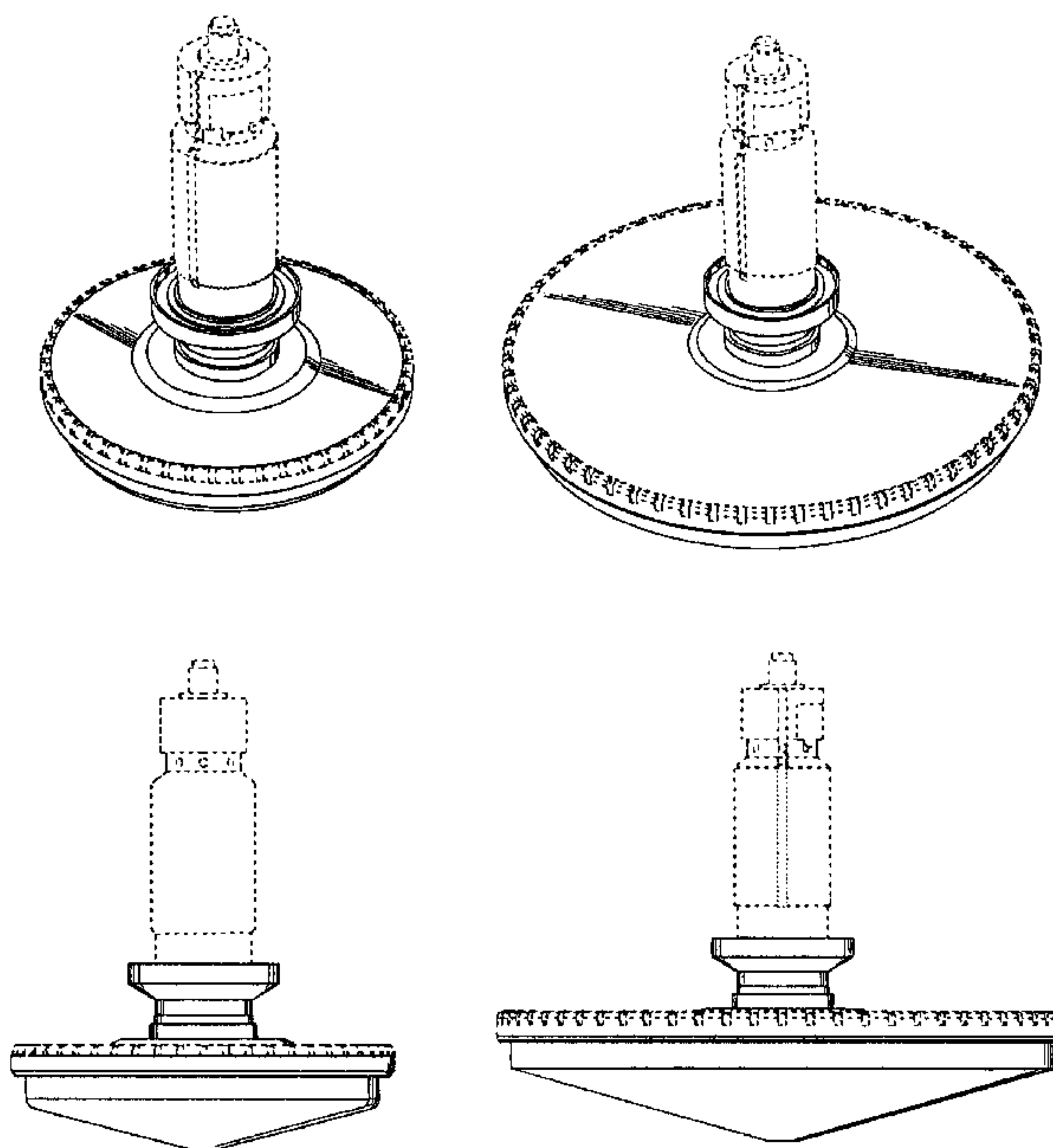
FIG. 13 is a front elevational view thereof;

FIG. 14 is a left side elevational view thereof;

FIG. 15 is a right side elevational view thereof; and,

FIG. 16 is a rear elevational view thereof.

1 Claim, 8 Drawing Sheets



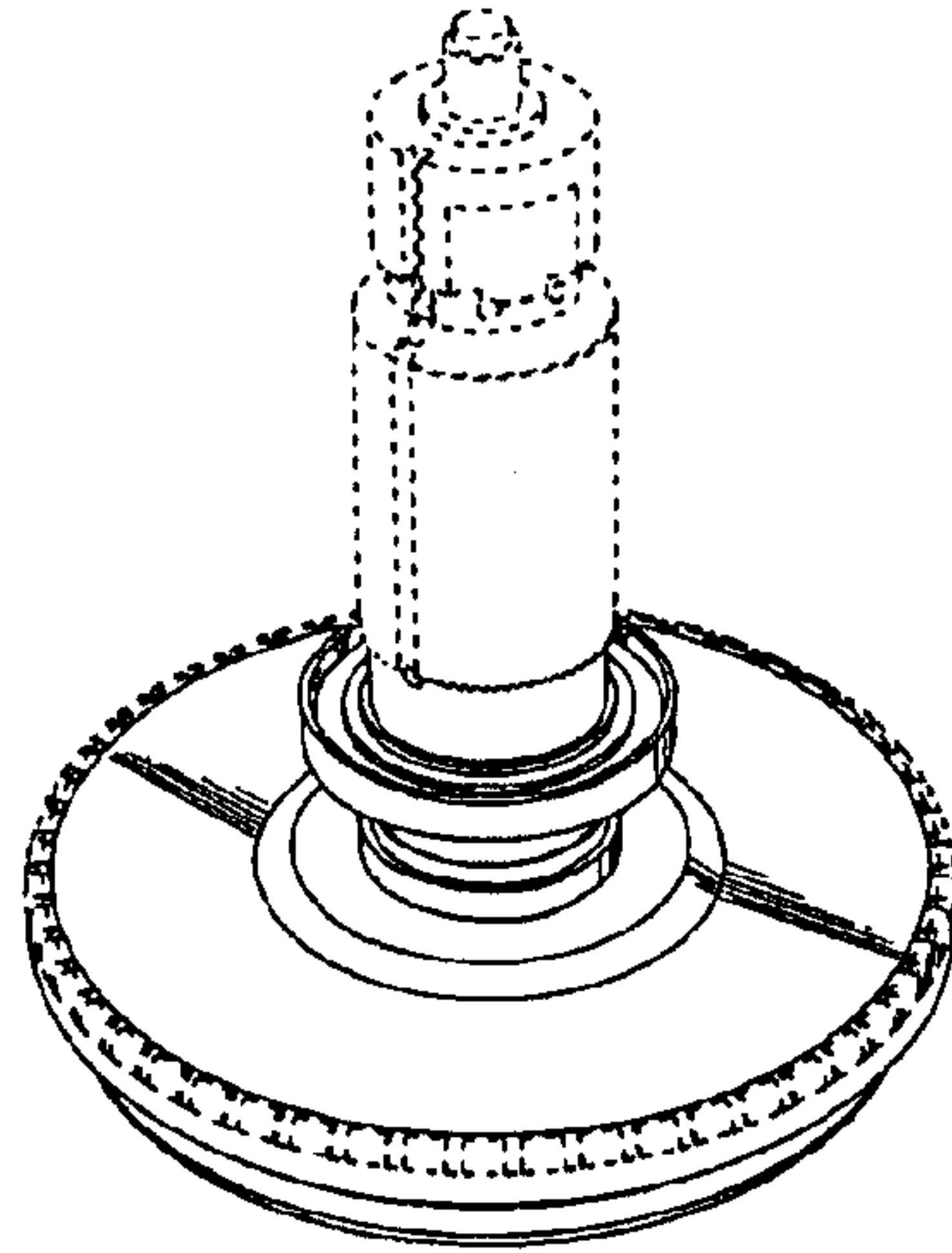


Fig. 1

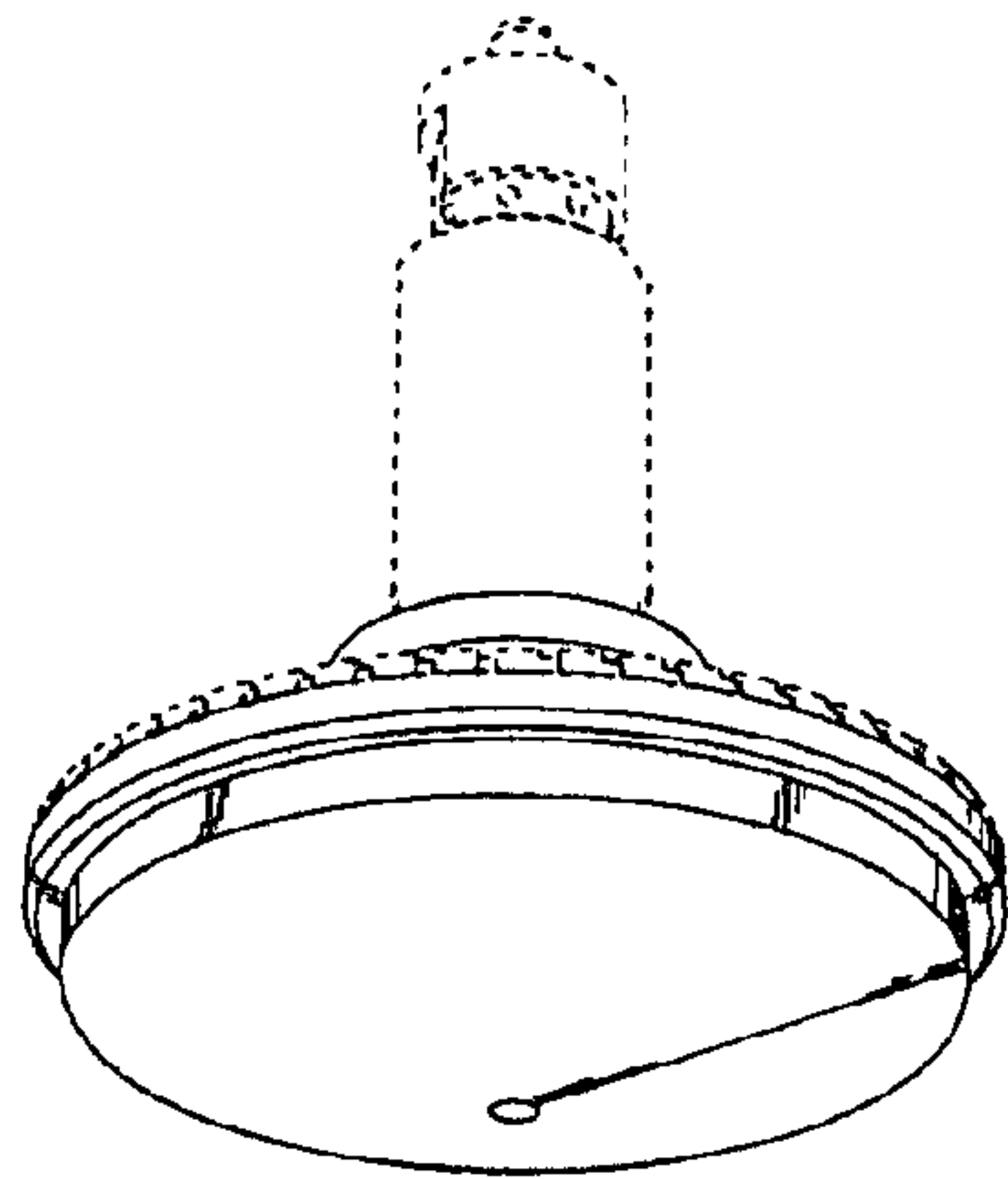


Fig. 2

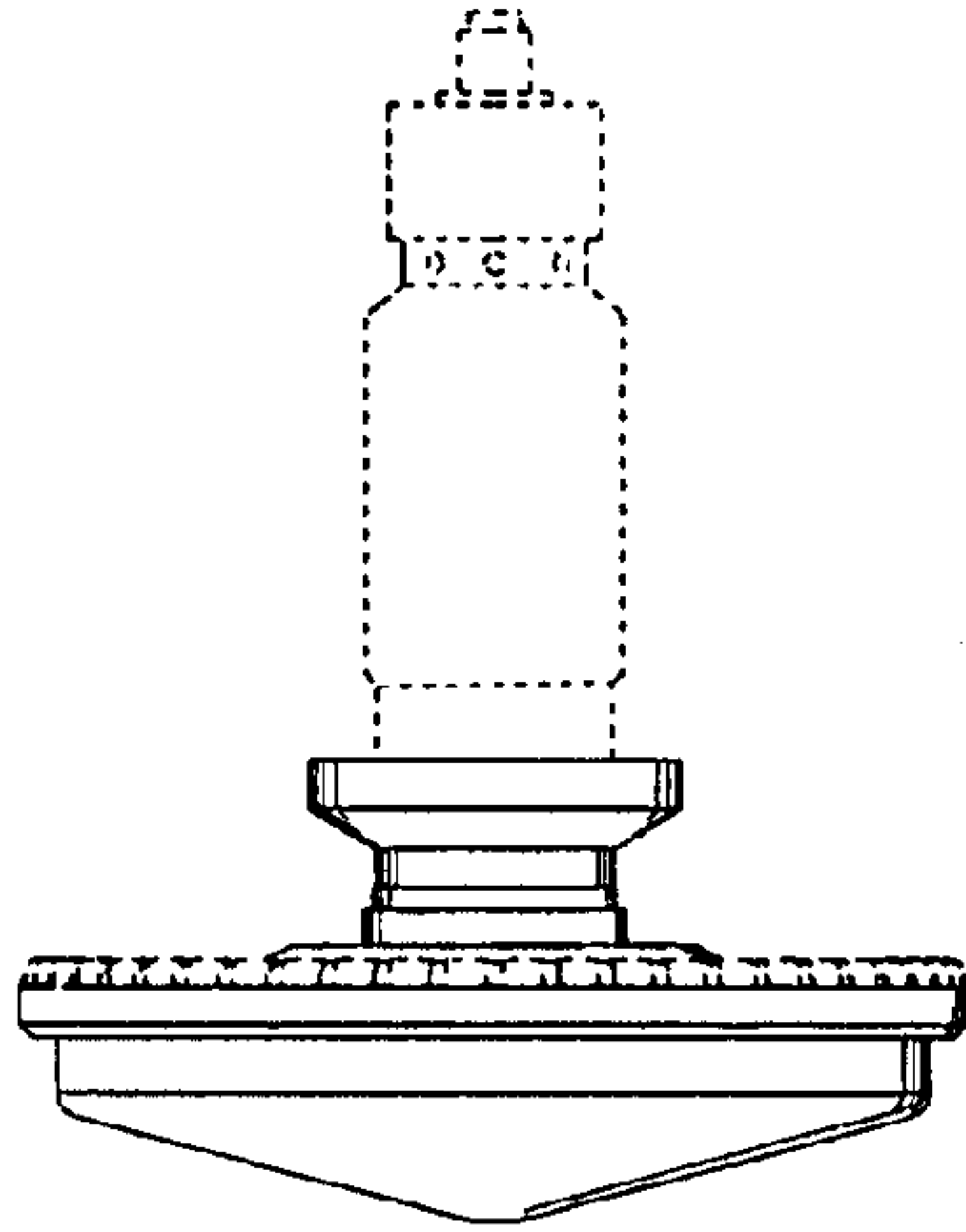


Fig. 3

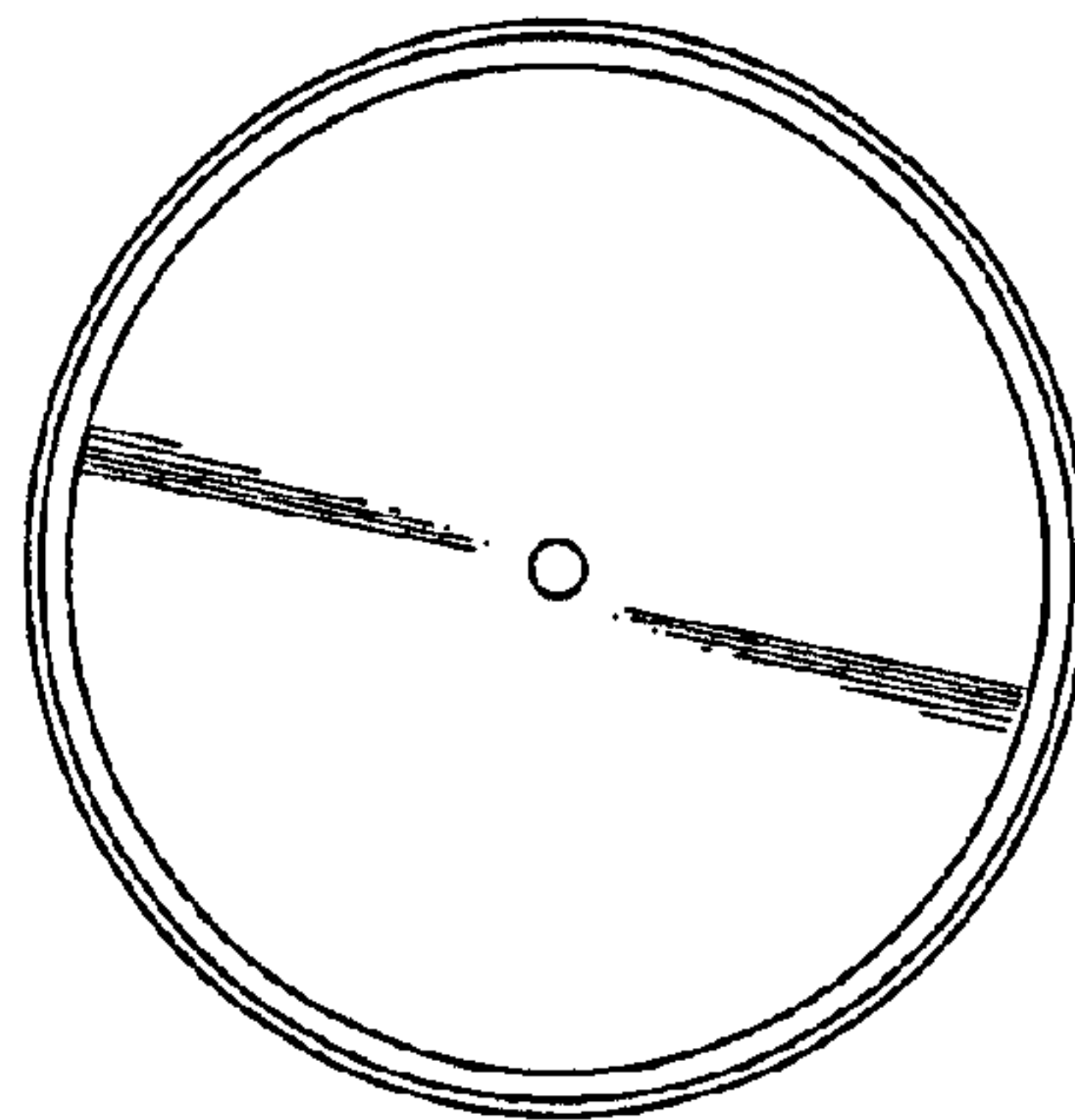


Fig. 4

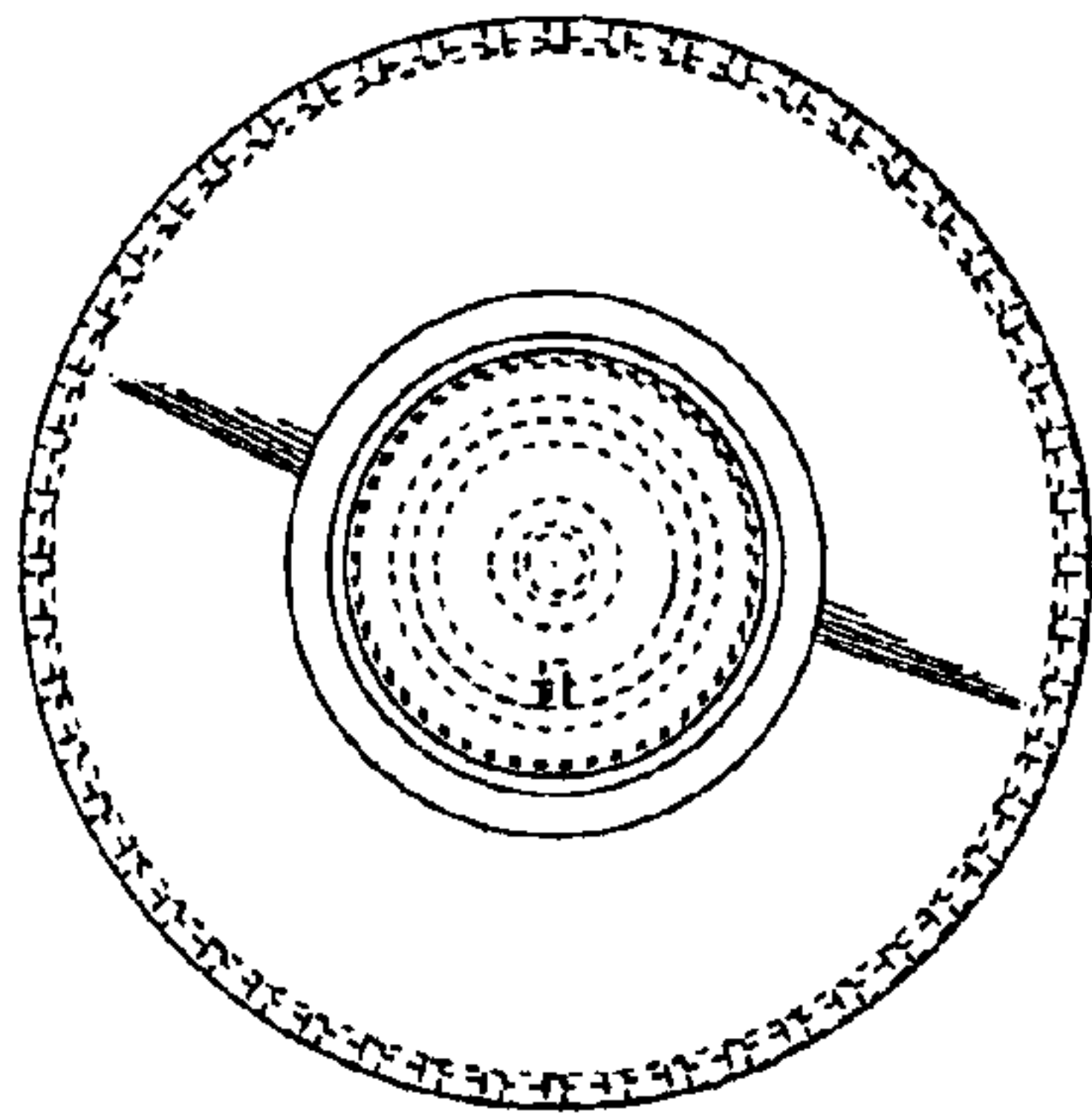


Fig. 5

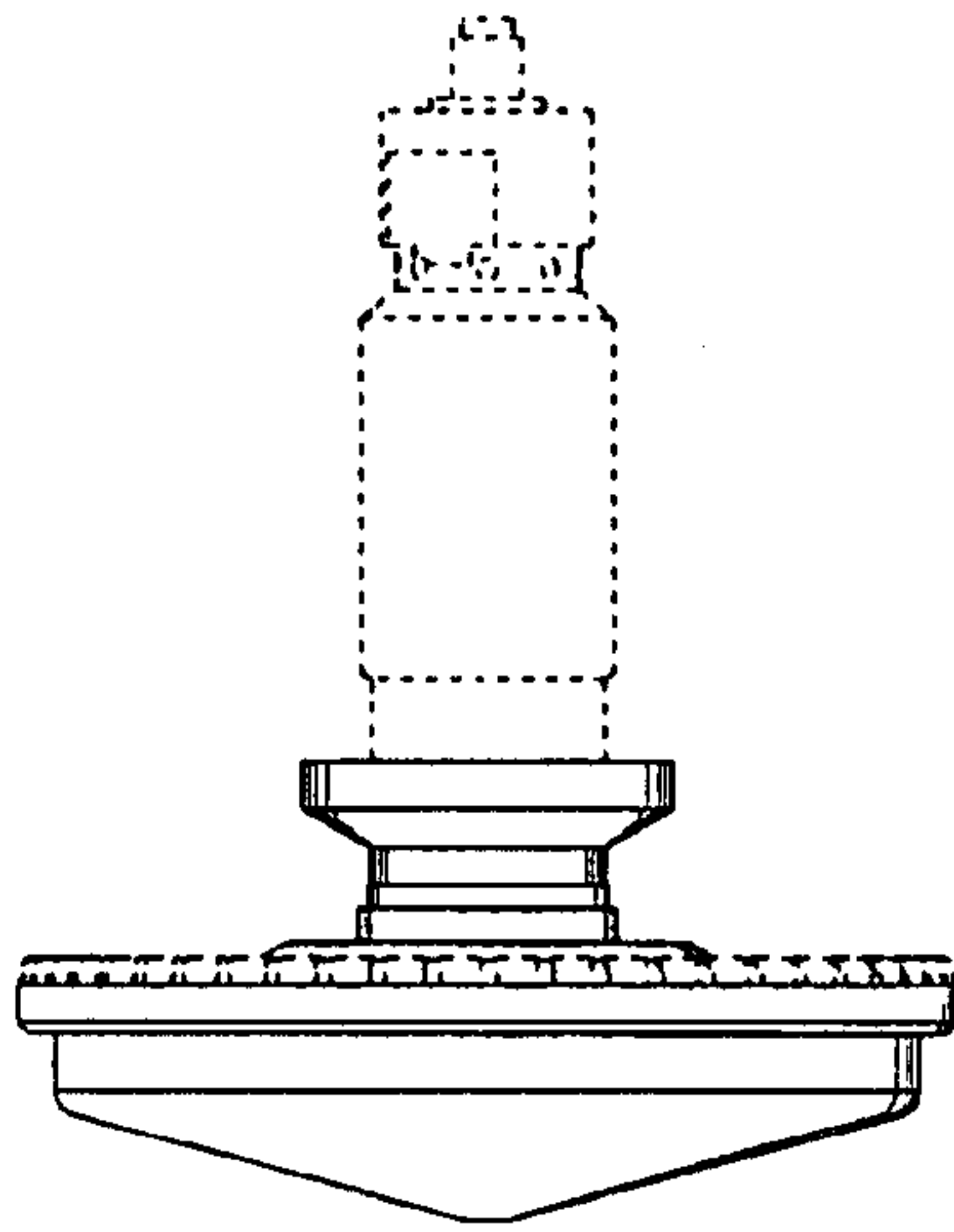


Fig. 6

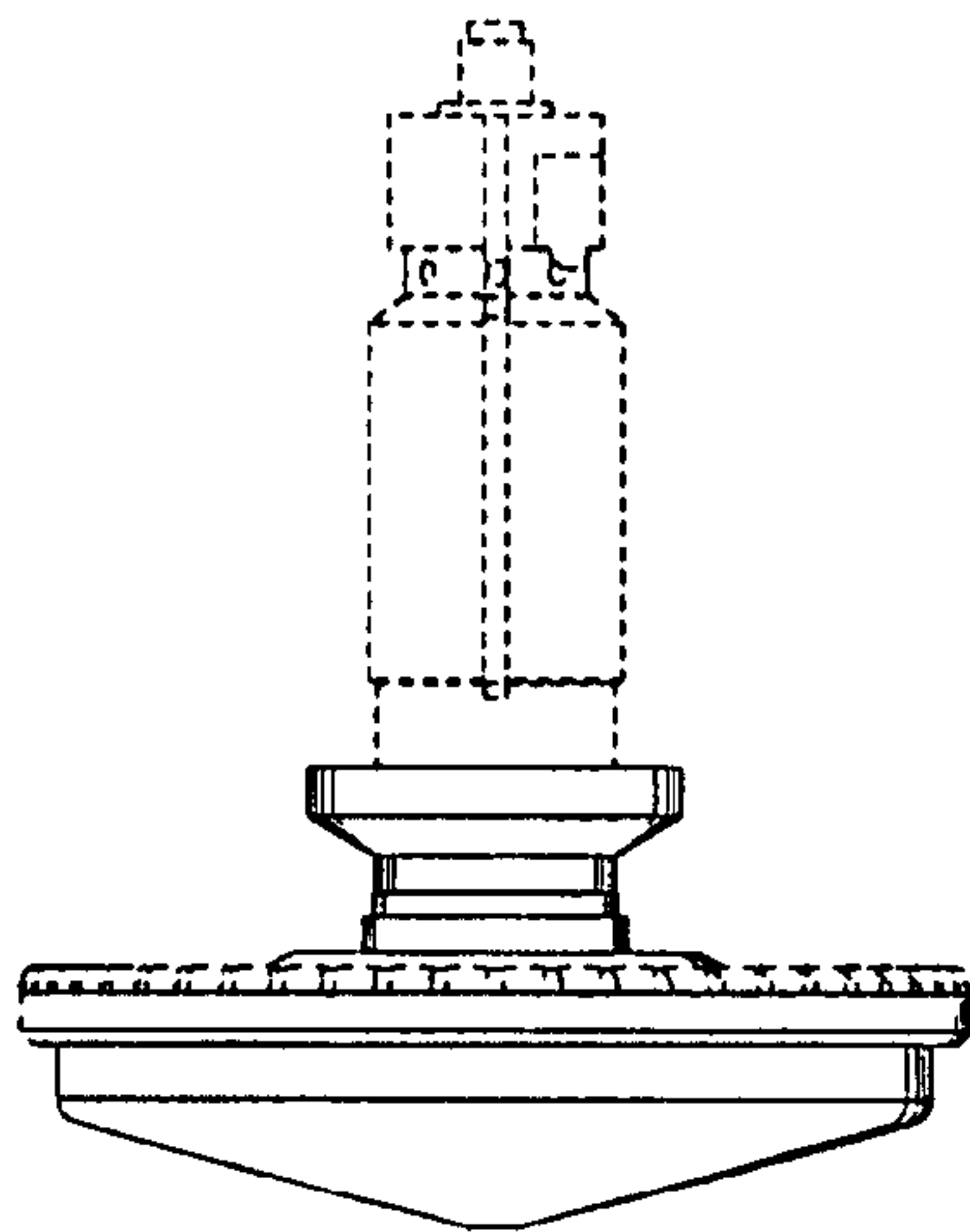


Fig. 7

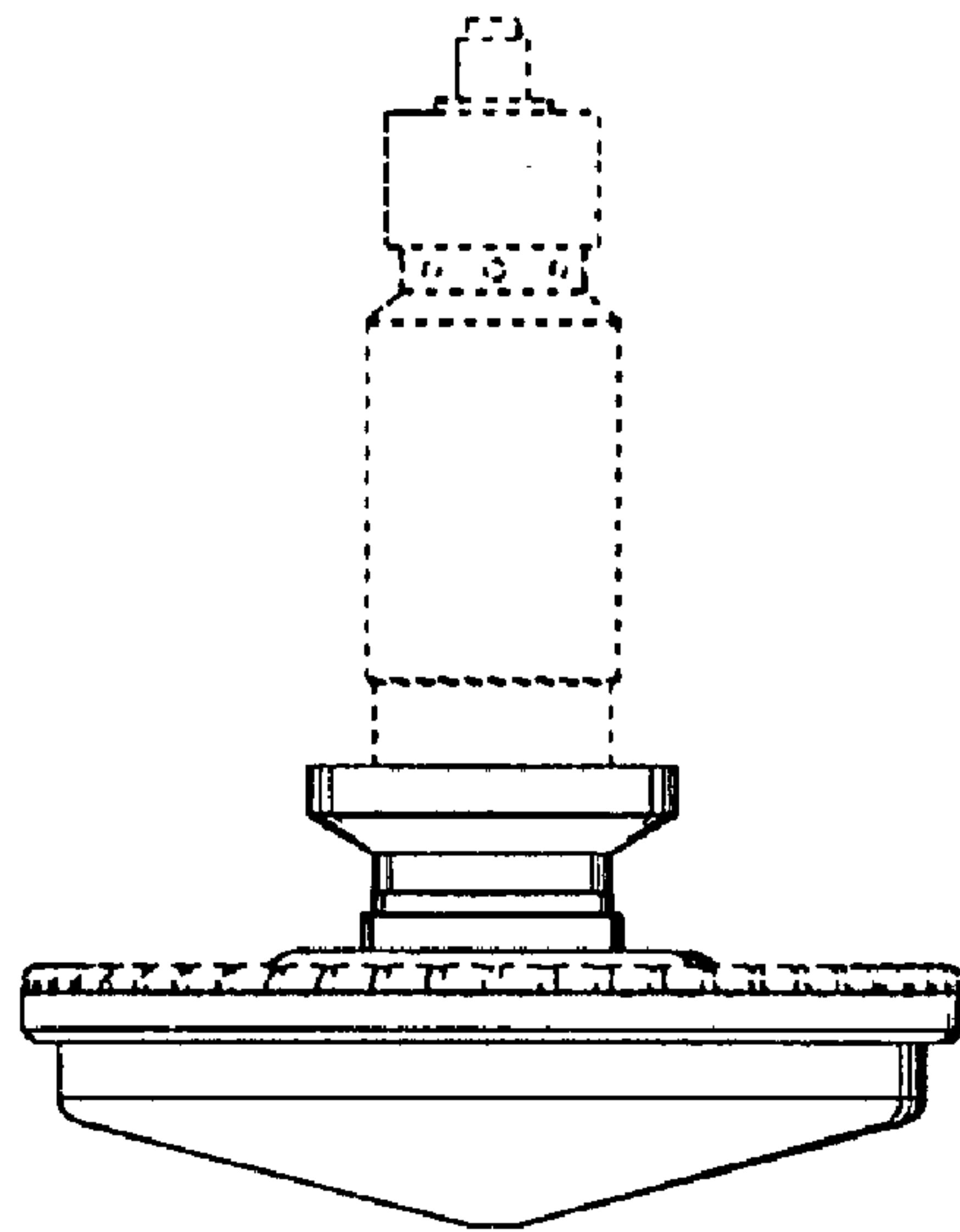


Fig. 8

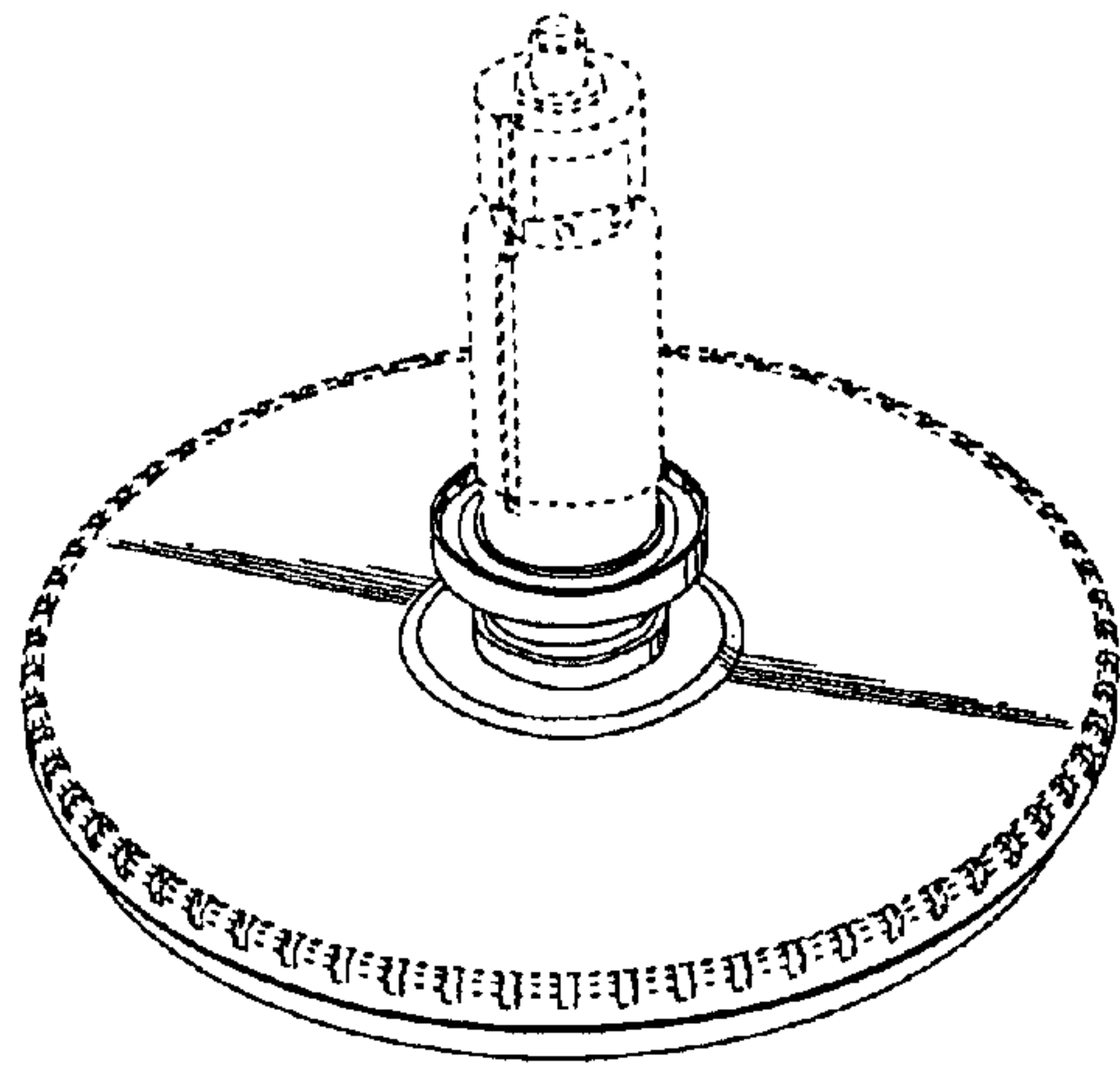


Fig. 9

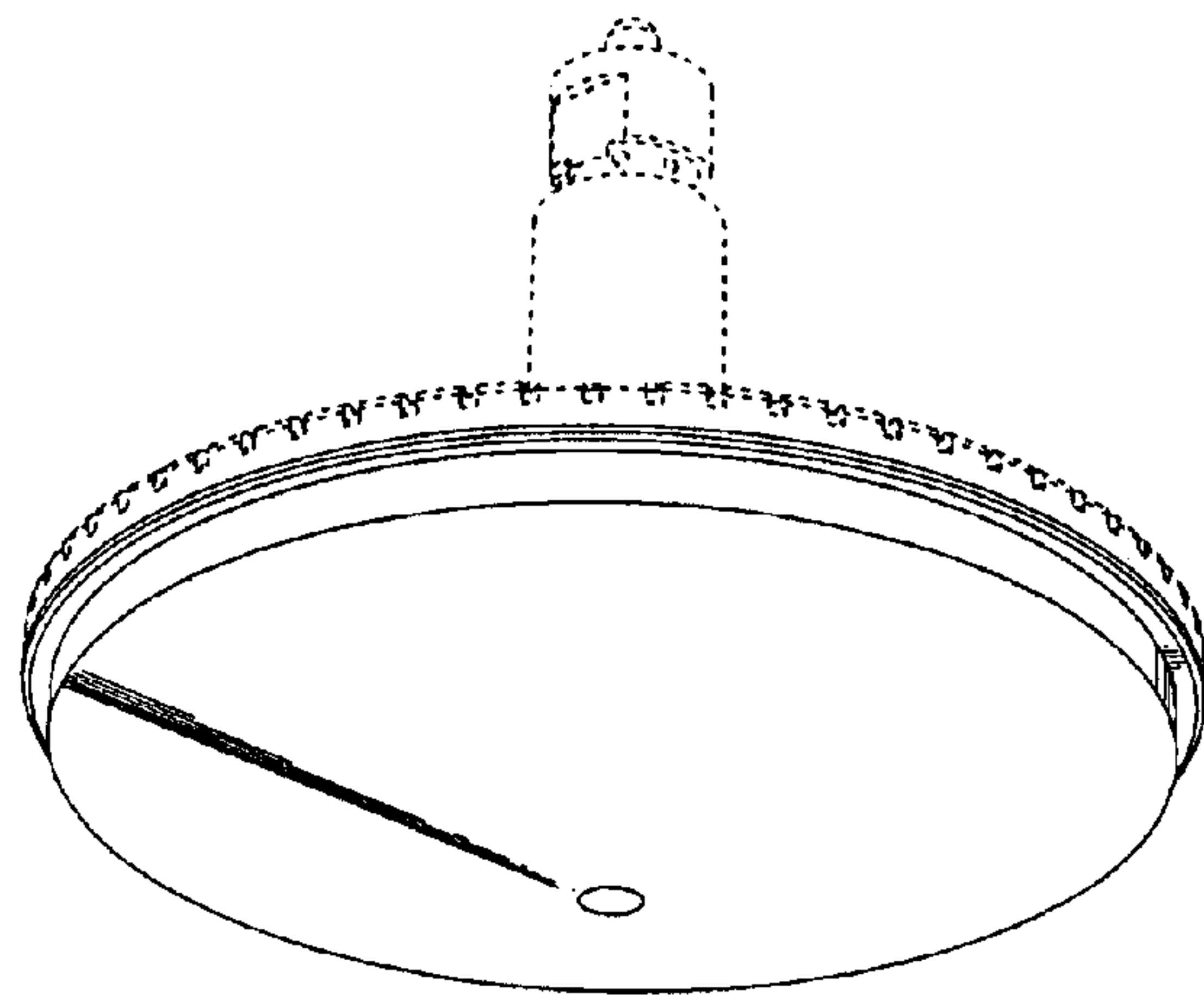


Fig. 10

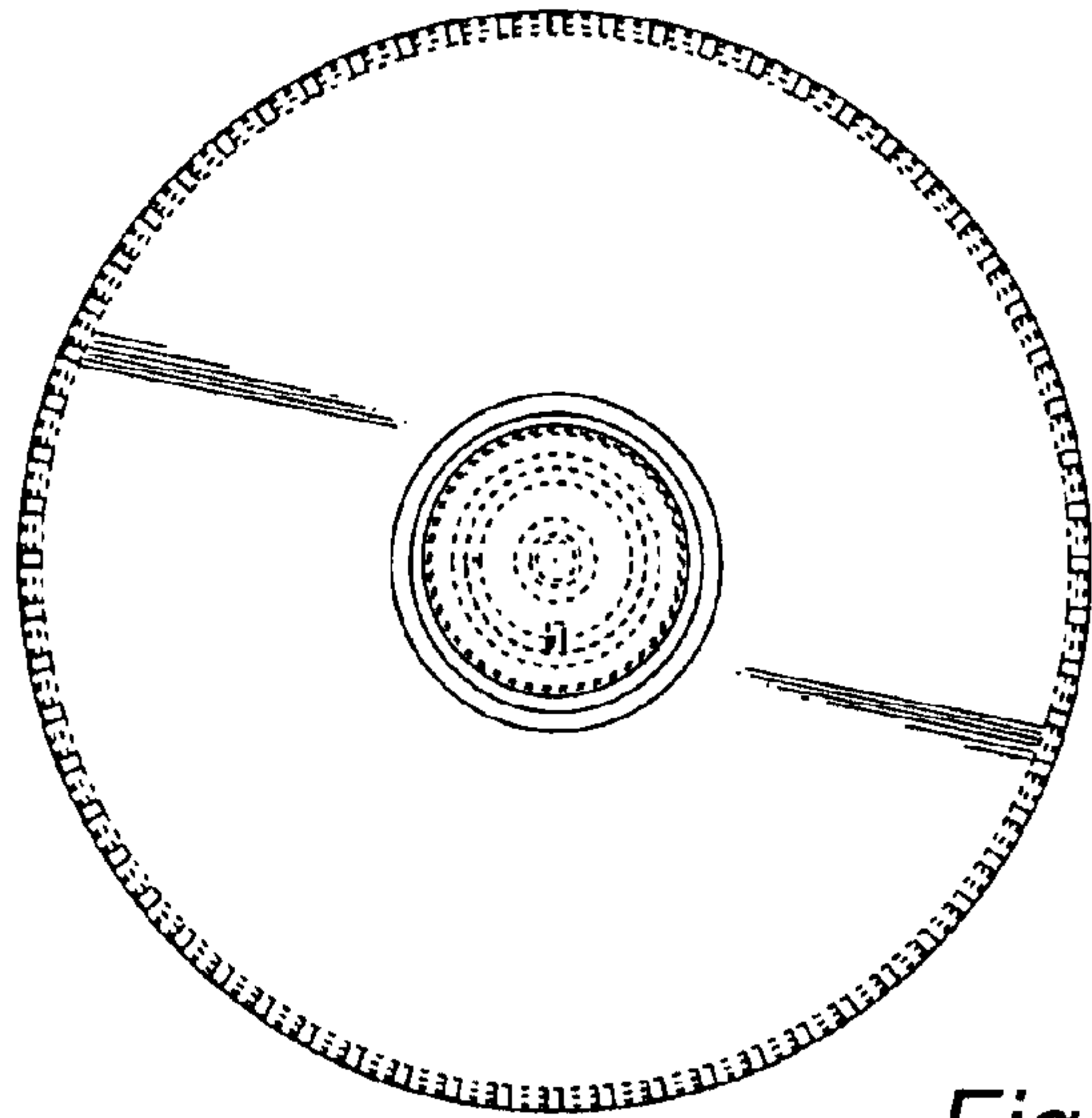


Fig. 11

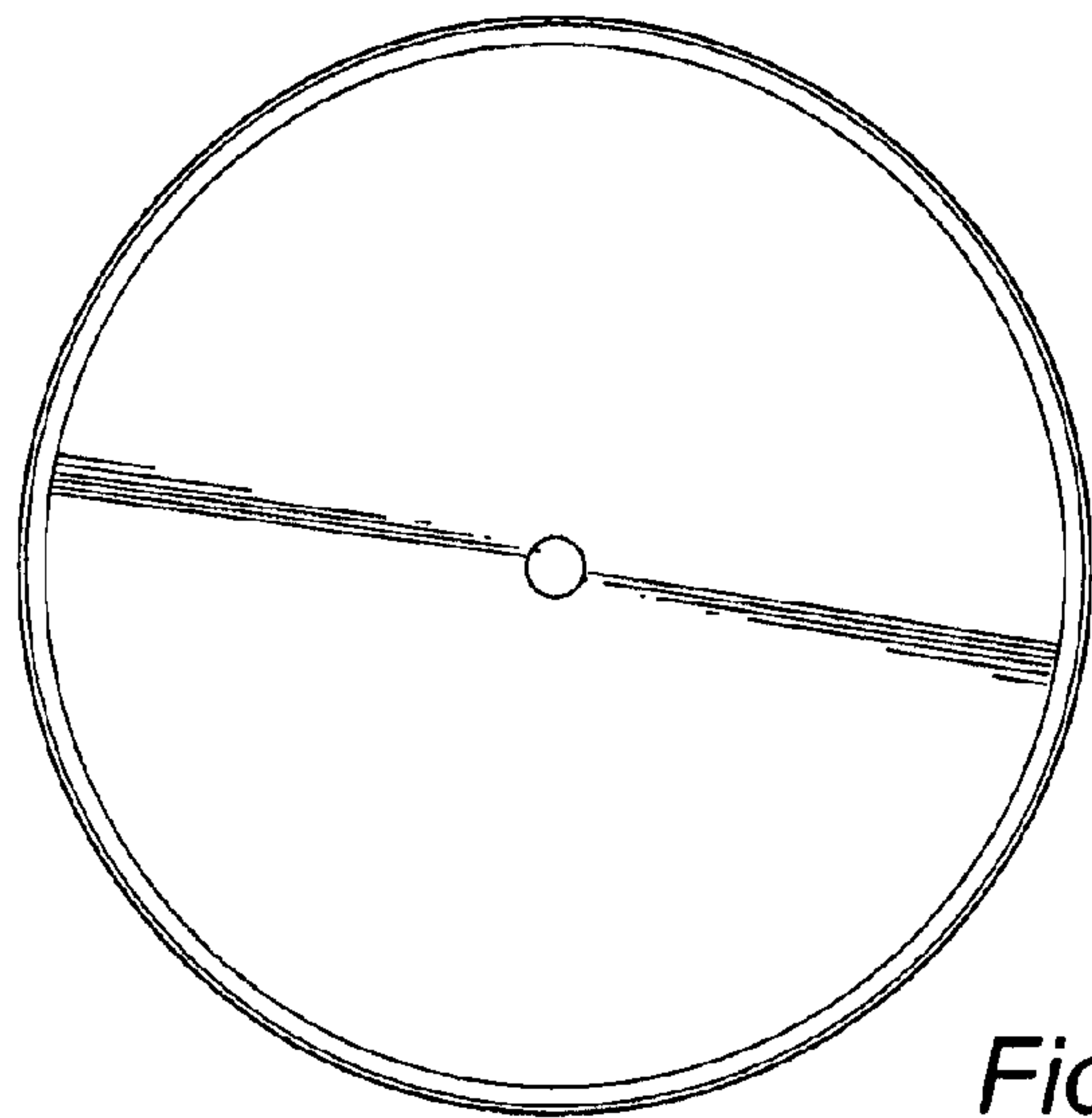


Fig. 12

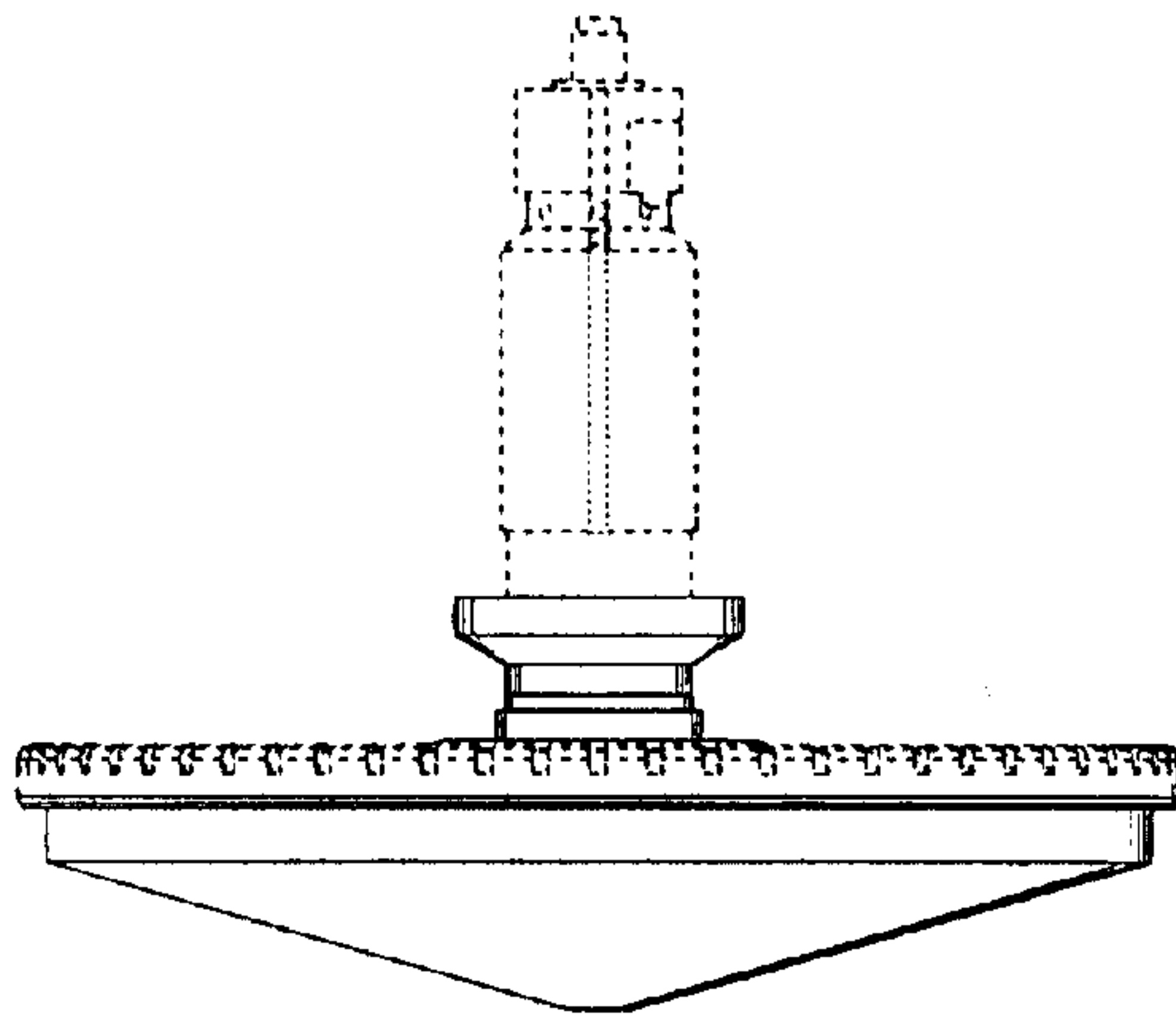


Fig. 13

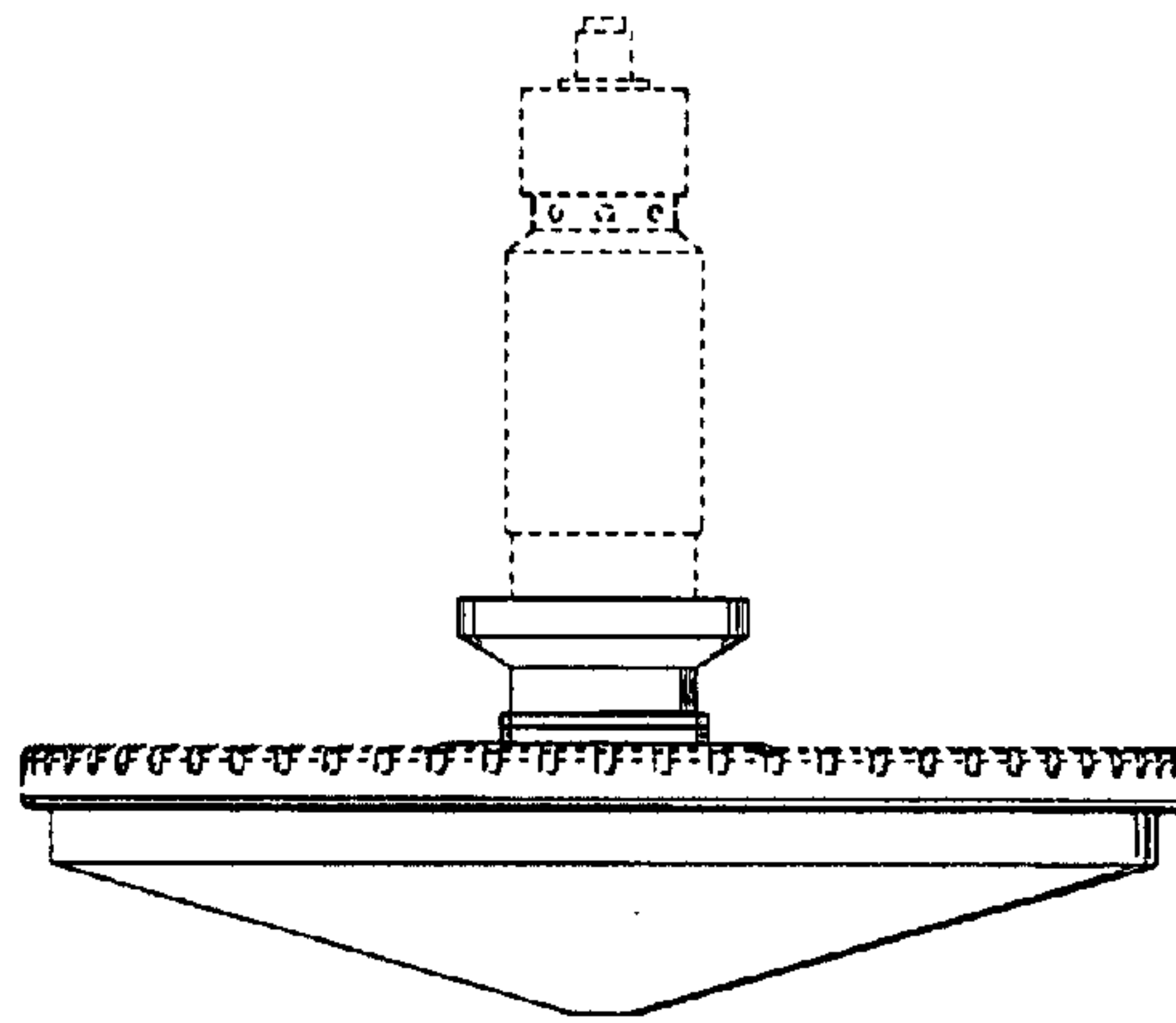


Fig. 14

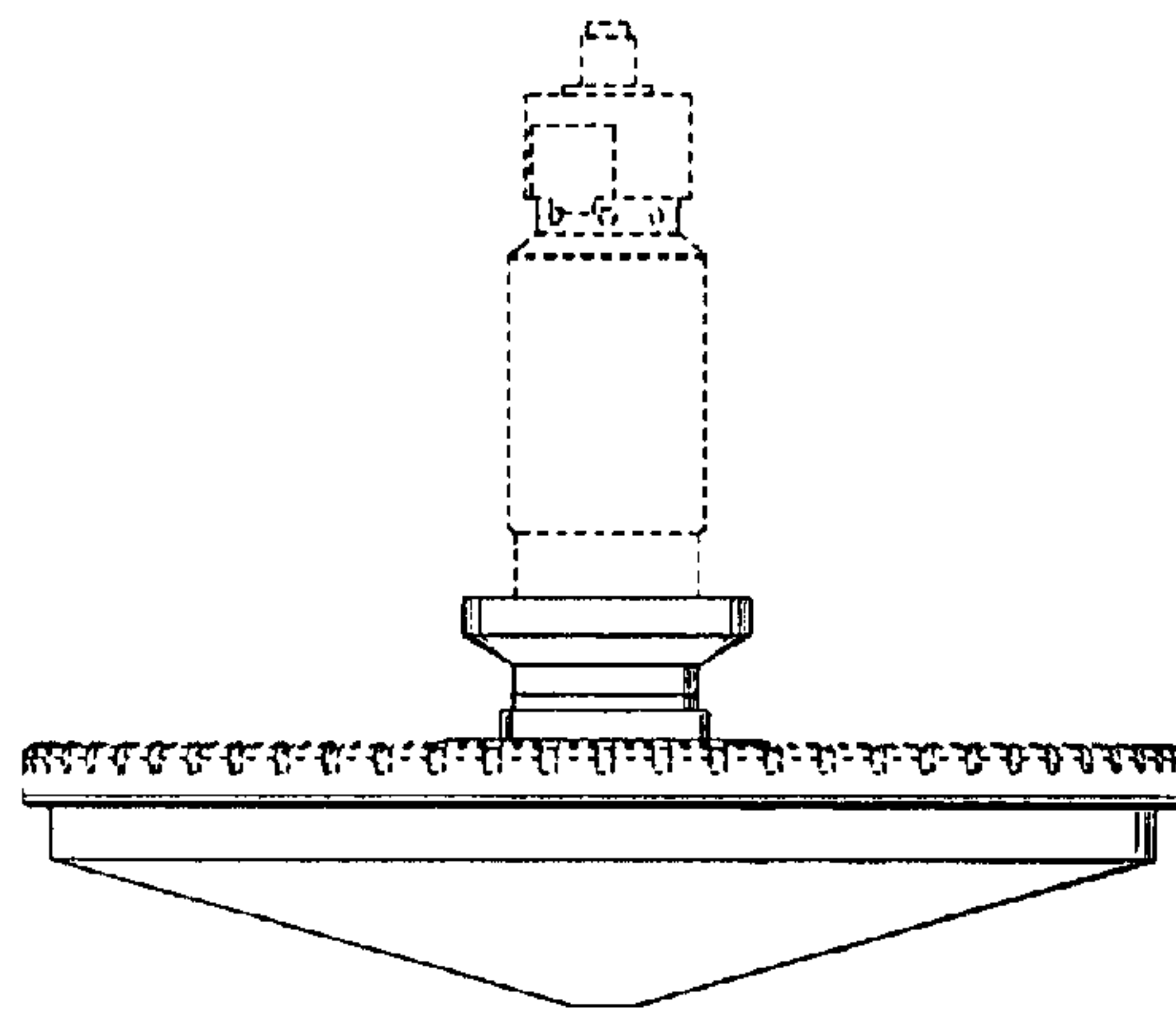


Fig. 15

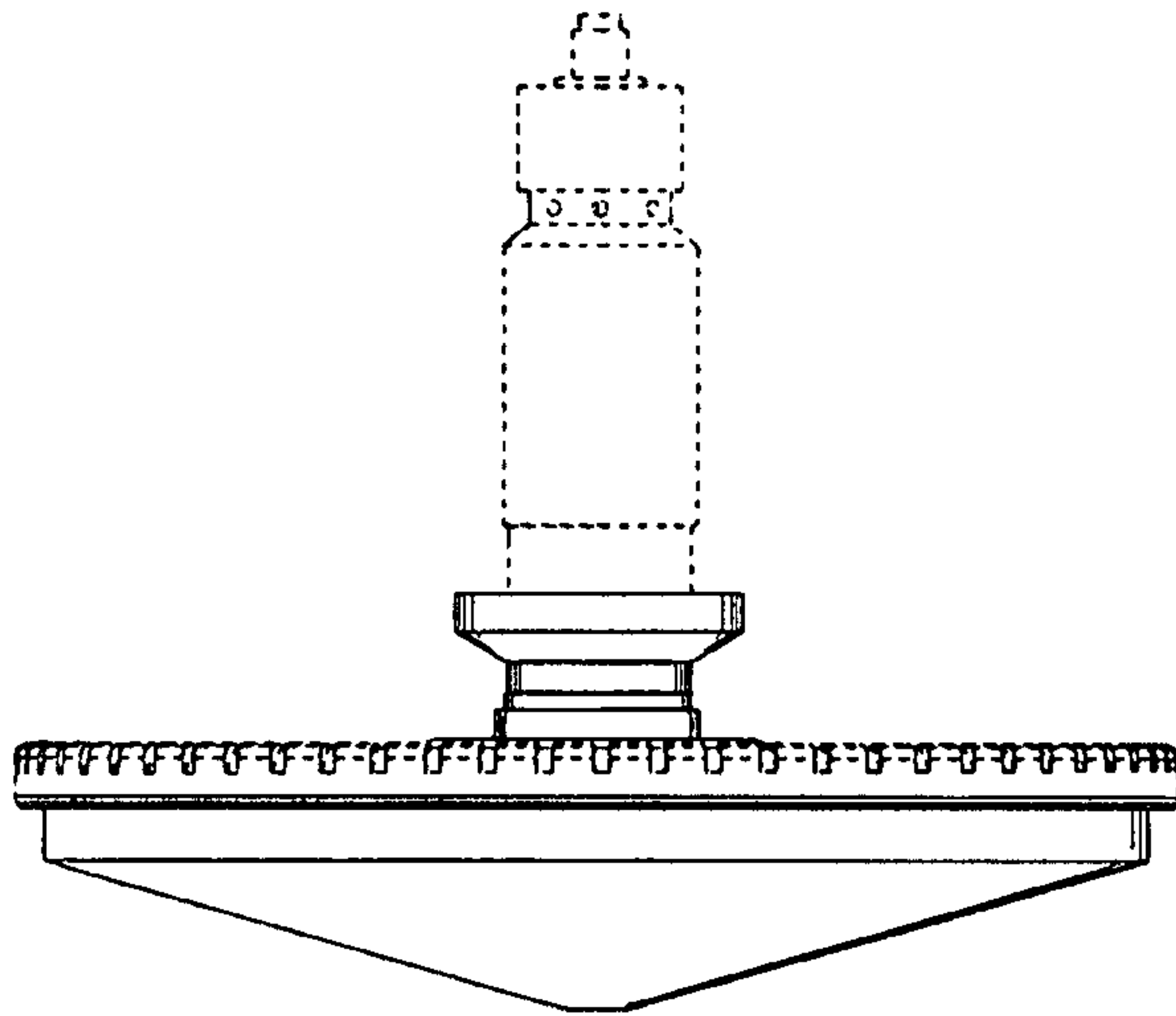


Fig. 16