



US00D557255S

(12) **United States Design Patent**
Shintani

(10) **Patent No.:** **US D557,255 S**

(45) **Date of Patent:** **** Dec. 11, 2007**

(54) **HEADSET**

(75) Inventor: **Eiji Shintani**, Malmö (SE)

(73) Assignee: **Sony Ericsson Mobile Communications AB**, Lund (SE)

(**) Term: **14 Years**

(21) Appl. No.: **29/248,561**

(22) Filed: **Aug. 22, 2006**

(30) **Foreign Application Priority Data**

Feb. 23, 2006 (EM) 000484449-0001/0003

(51) **LOC (8) Cl.** **14-01**

(52) **U.S. Cl.** **D14/206**

(58) **Field of Classification Search** D14/188,
D14/192, 205, 206, 223; 181/129, 130; 379/430,
379/433; 381/322, 330, 374, 376, 377, 378,
381/379, 380, 381; D24/173, 174

See application file for complete search history.

(56) **References Cited**

U.S. PATENT DOCUMENTS

4,727,582 A * 2/1988 de Vries et al. 381/330
D385,036 S * 10/1997 Nielsen D24/174
6,041,128 A * 3/2000 Narisawa et al. 381/322
D447,743 S * 9/2001 Ma D14/223

D457,635 S * 5/2002 Dittli et al. D24/174
6,574,343 B1 * 6/2003 Meier 381/322
6,741,716 B2 * 5/2004 Morales et al. 381/330
D512,984 S * 12/2005 Ham D14/205
D516,216 S * 2/2006 Portmann D24/174
D520,496 S * 5/2006 Gwee D14/223
7,099,485 B2 * 8/2006 Dittli 381/322
D541,787 S * 5/2007 Ma D14/205

* cited by examiner

Primary Examiner—Paula A. Greene

(74) *Attorney, Agent, or Firm*—Renner, Otto, Boisselle & Sklar, LLP

(57) **CLAIM**

The ornamental design for a headset, as shown and described.

DESCRIPTION

FIG. 1 is a perspective view of a headset showing my design;

FIG. 2 is a front view thereof;

FIG. 3 is a rear view thereof;

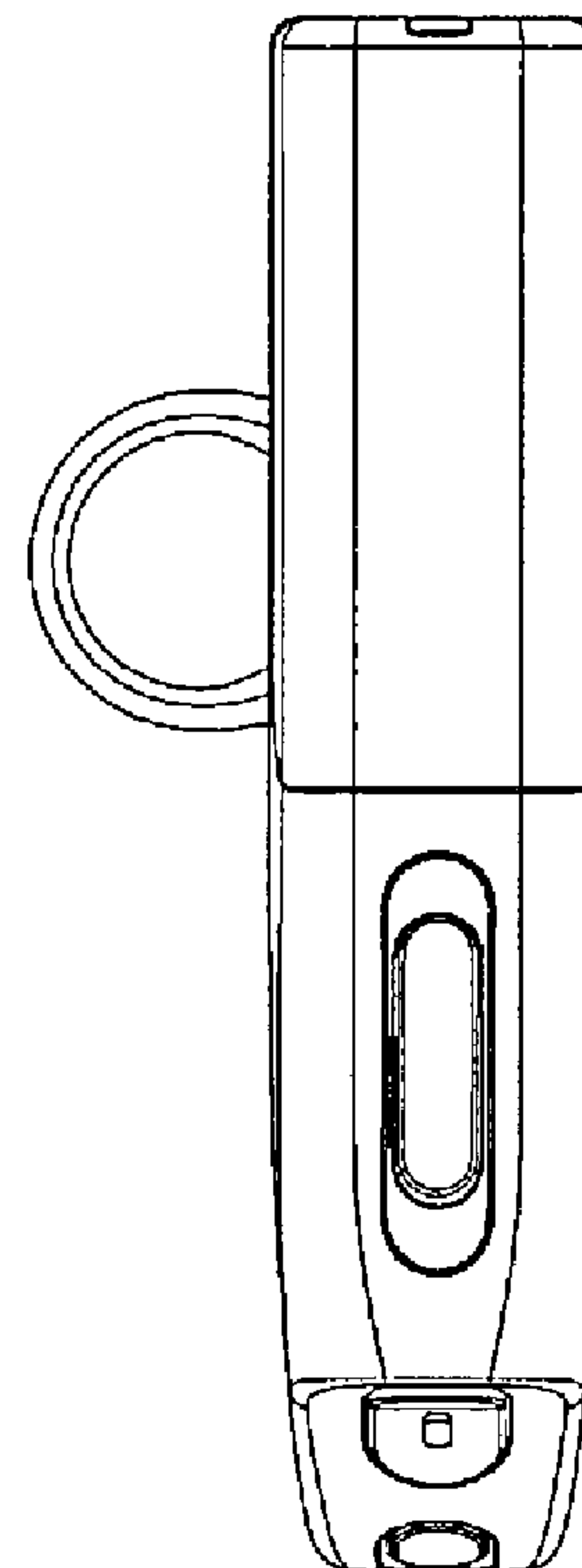
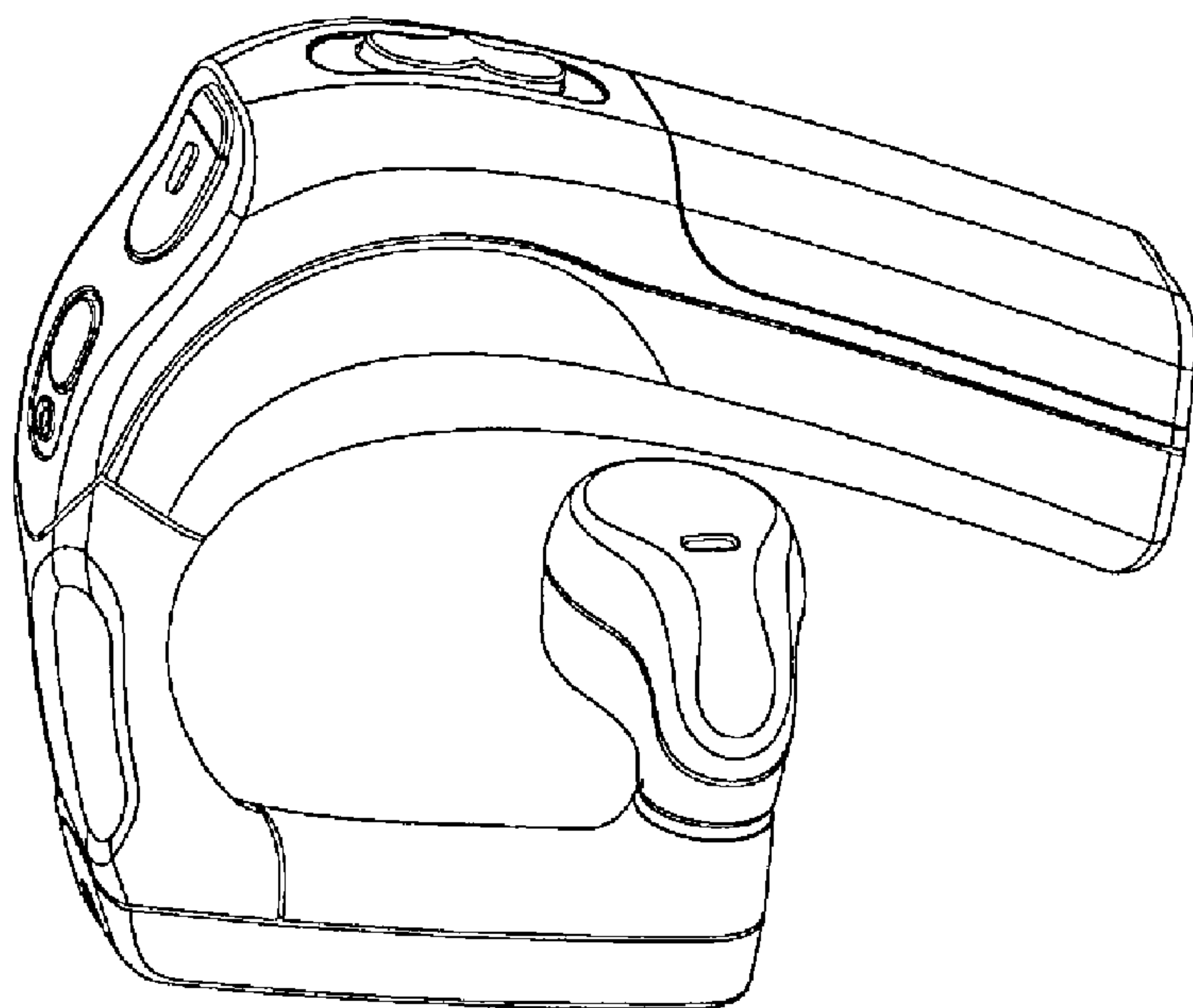
FIG. 4 is a right side view thereof;

FIG. 5 is a left side view thereof;

FIG. 6 is a top view thereof; and,

FIG. 7 is a bottom view thereof.

1 Claim, 3 Drawing Sheets



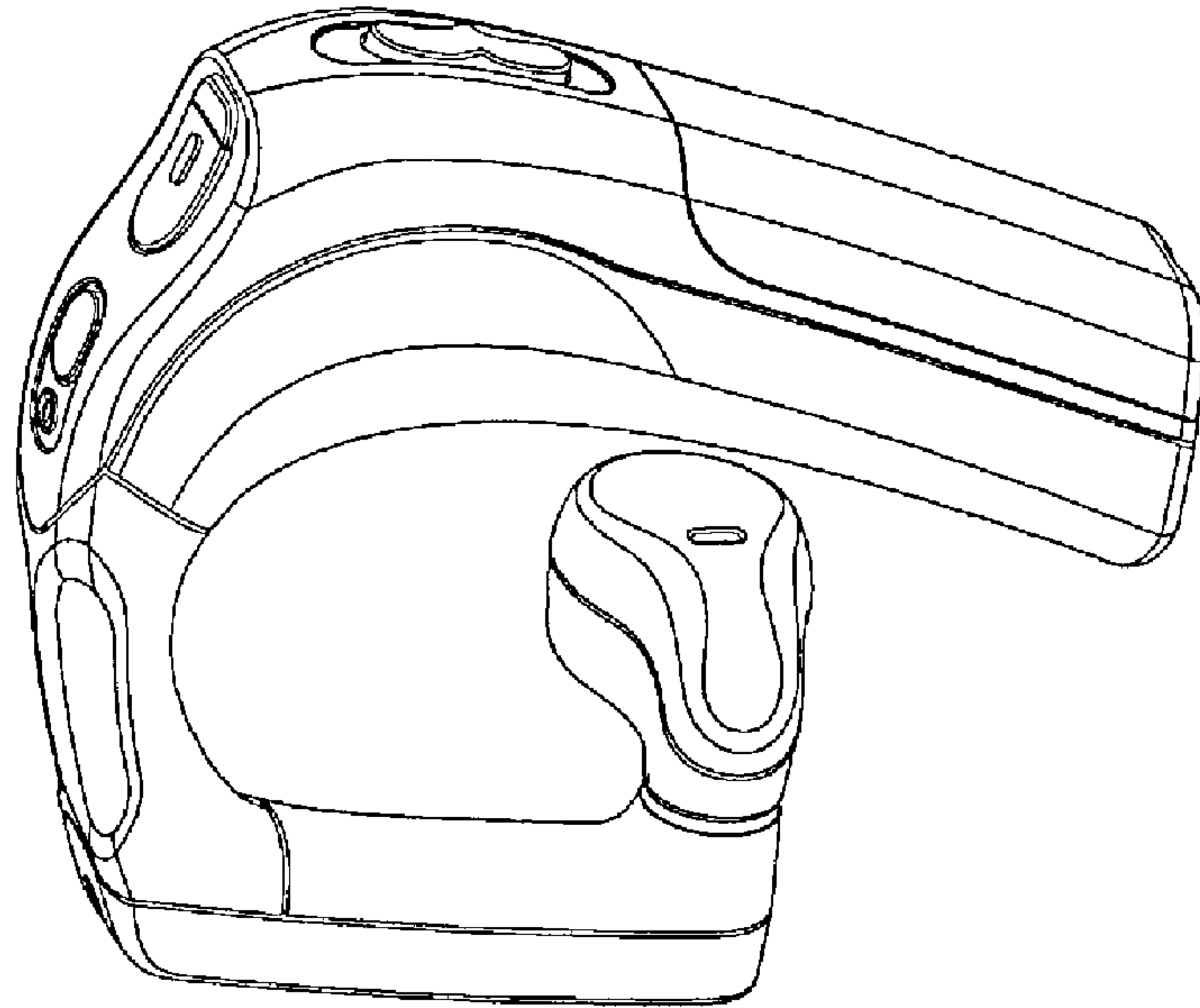


FIG. 1

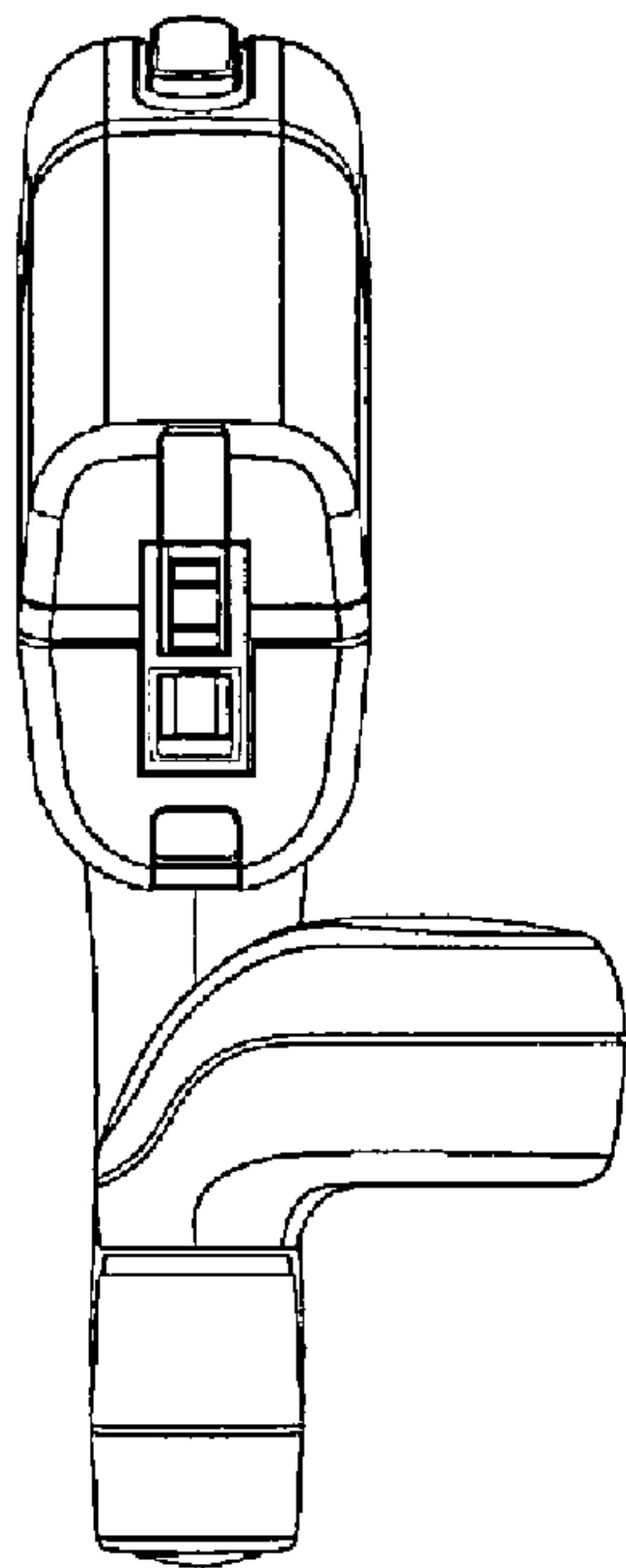


FIG. 2

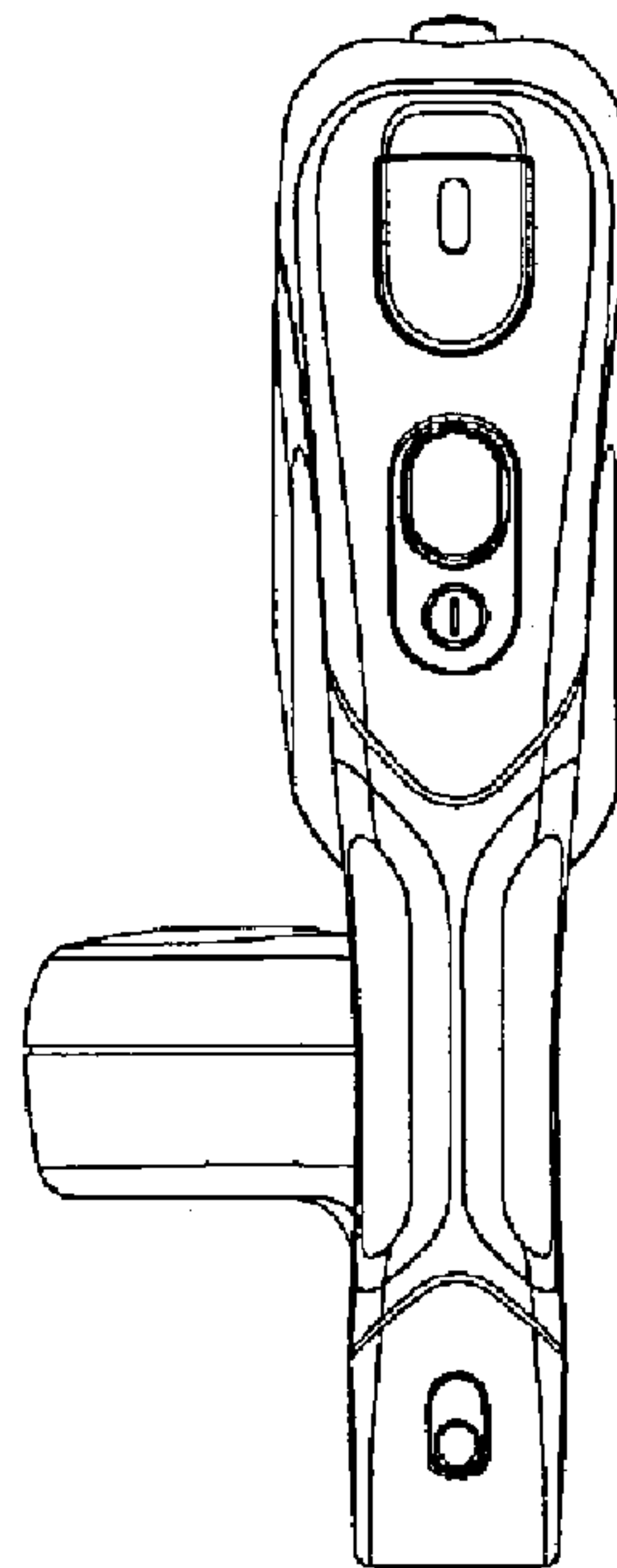


FIG. 3

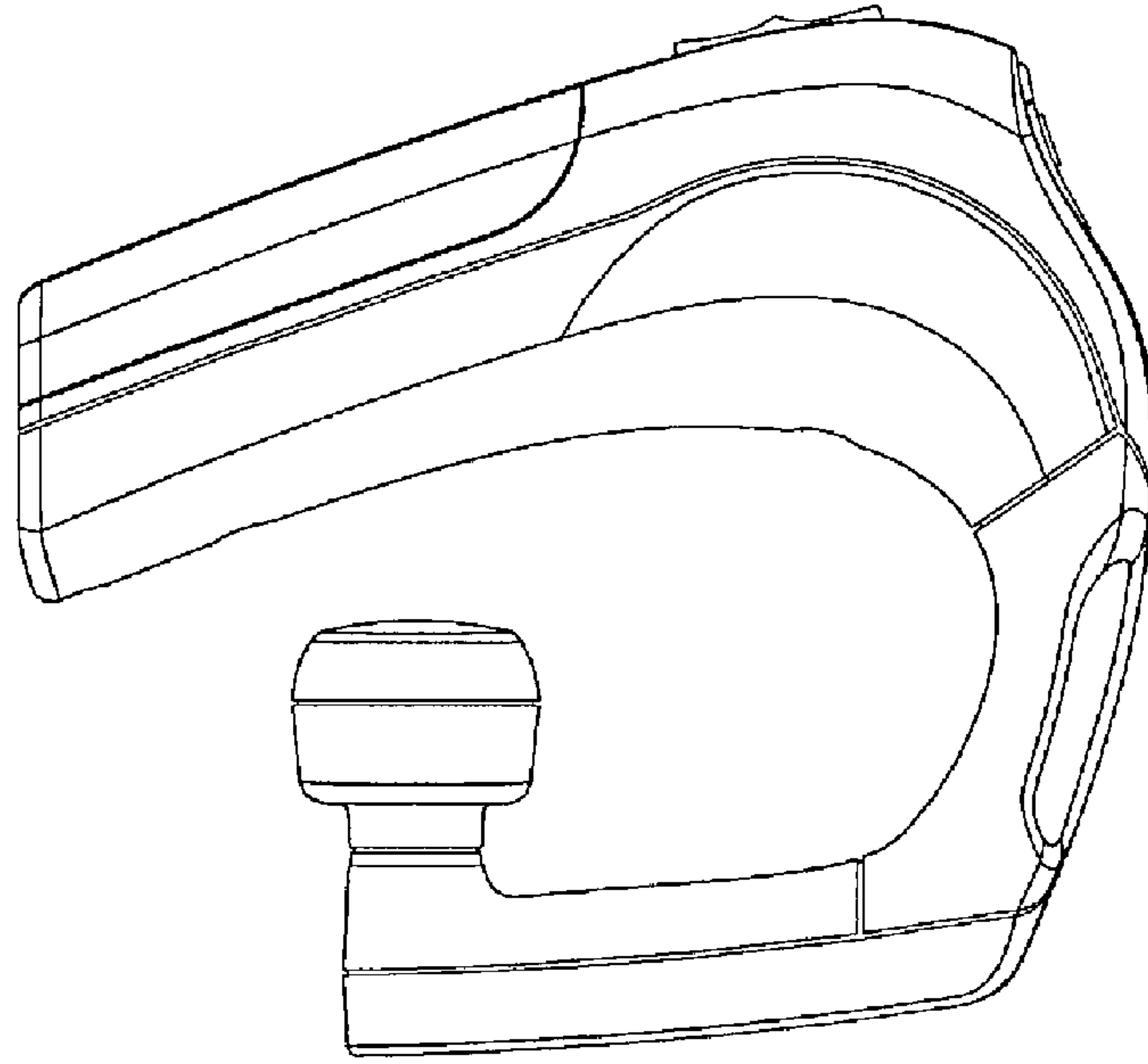


FIG. 4

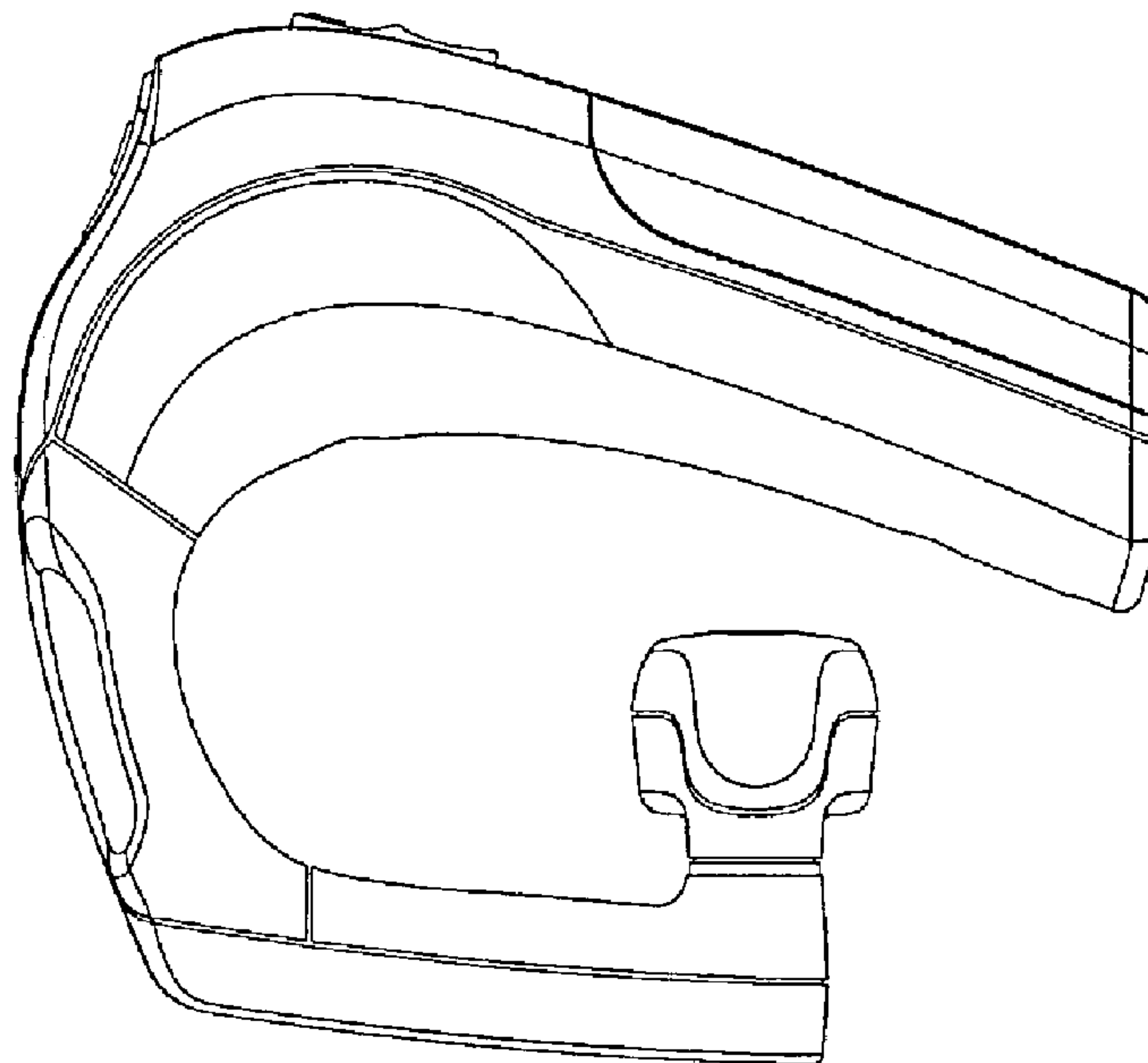


FIG. 5

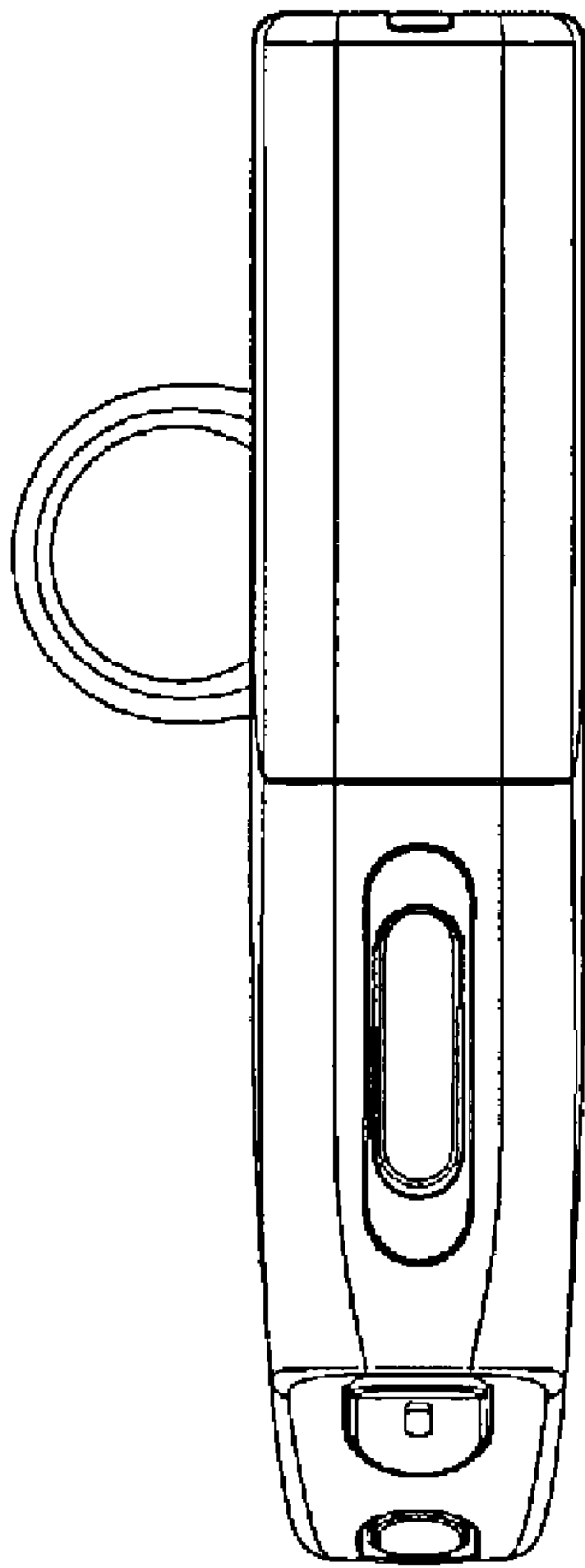


FIG. 6

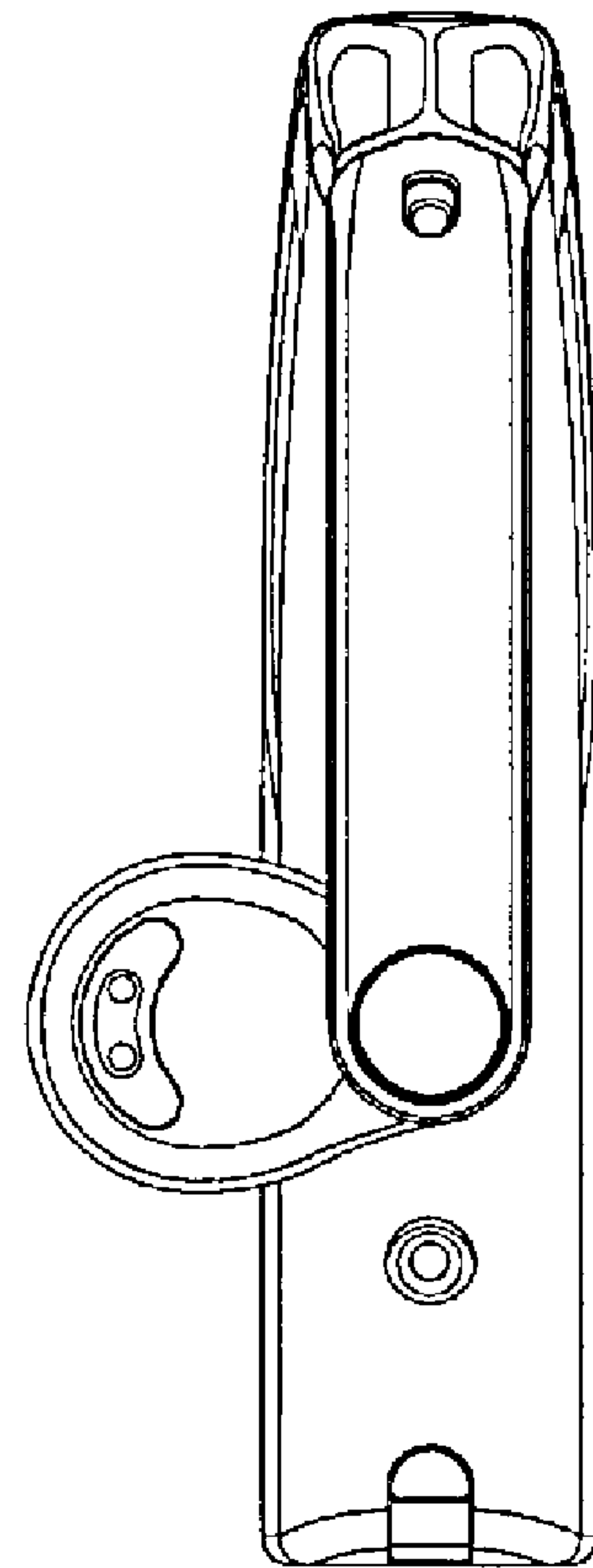


FIG. 7